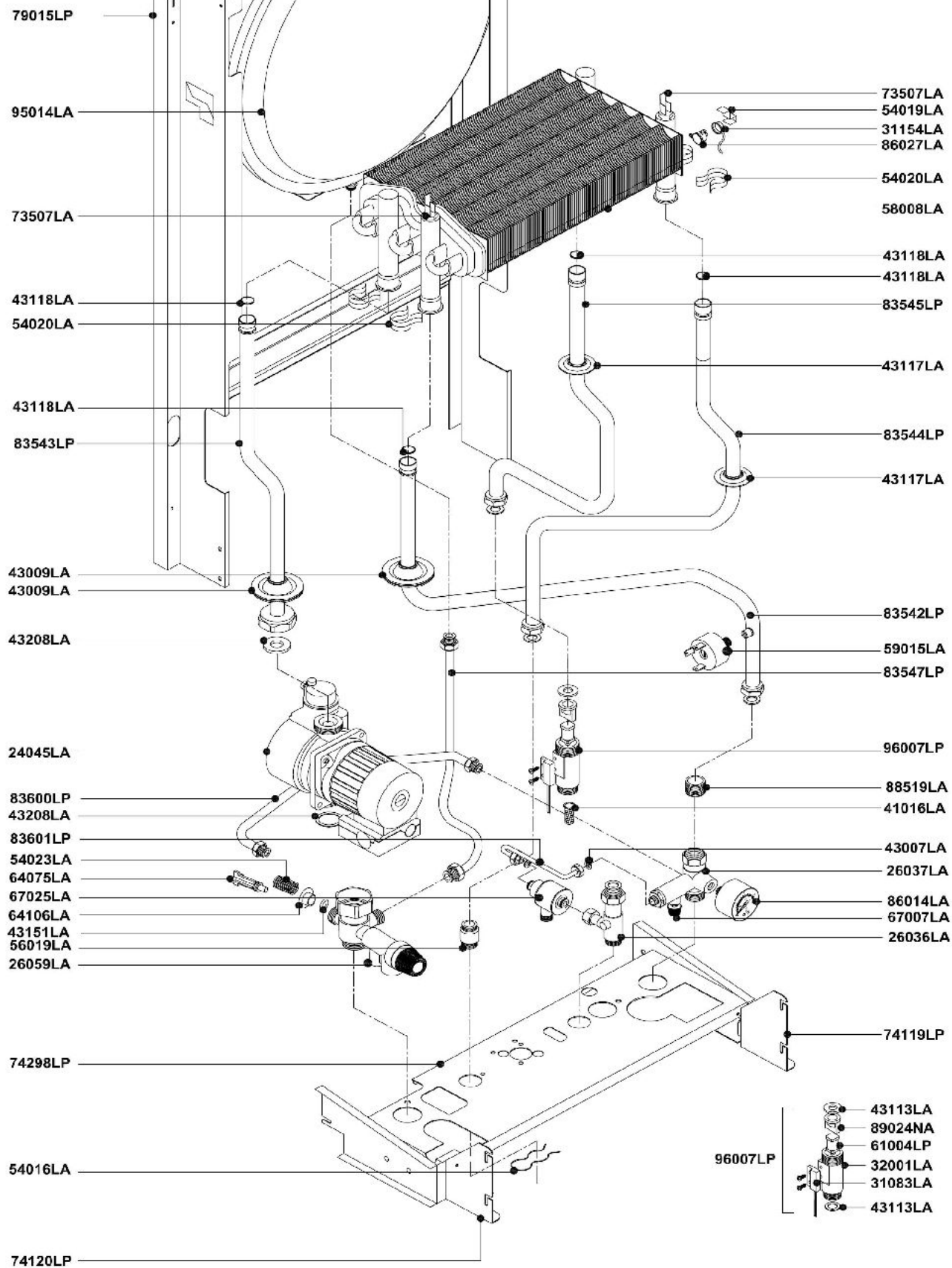
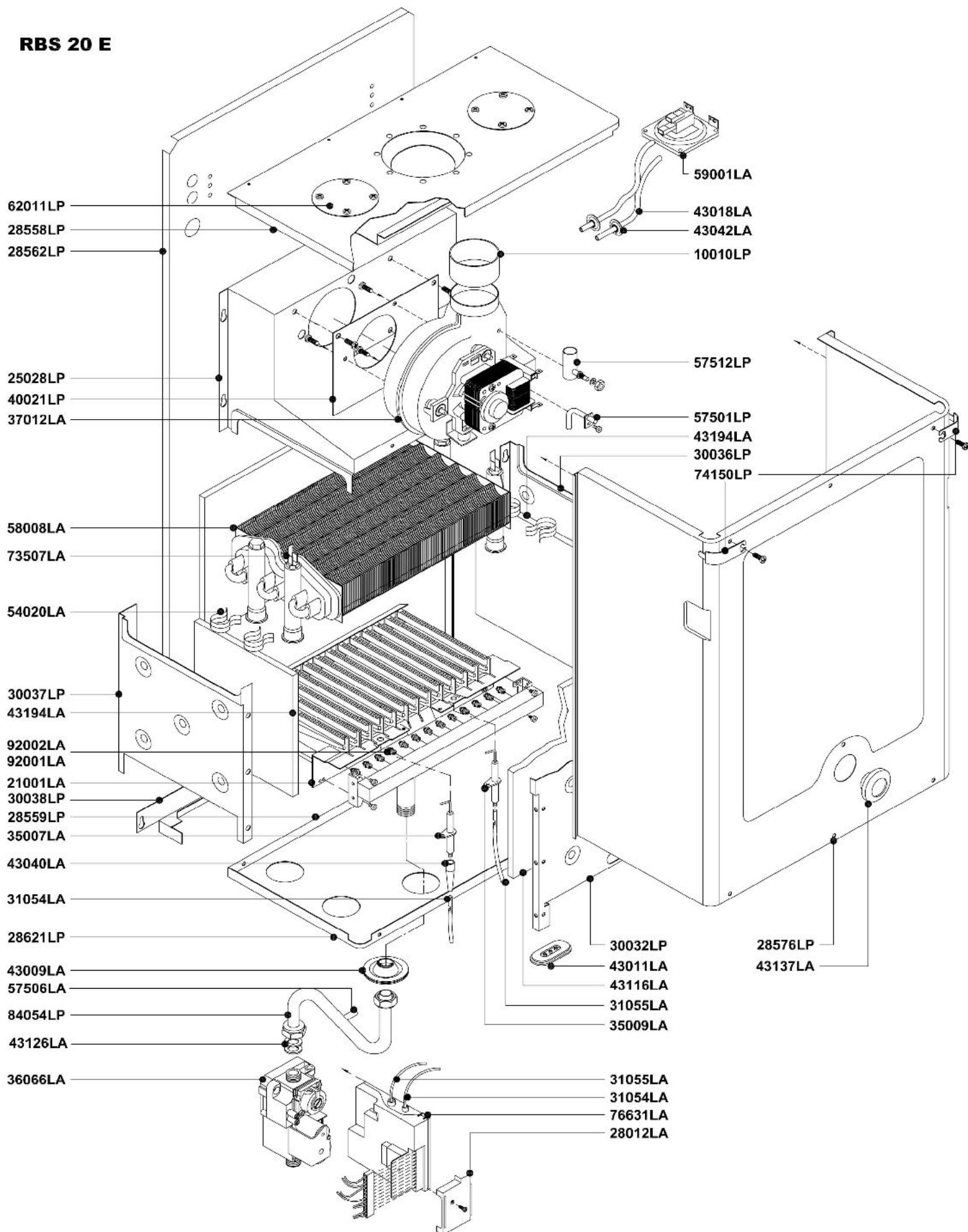


RBS 20 E



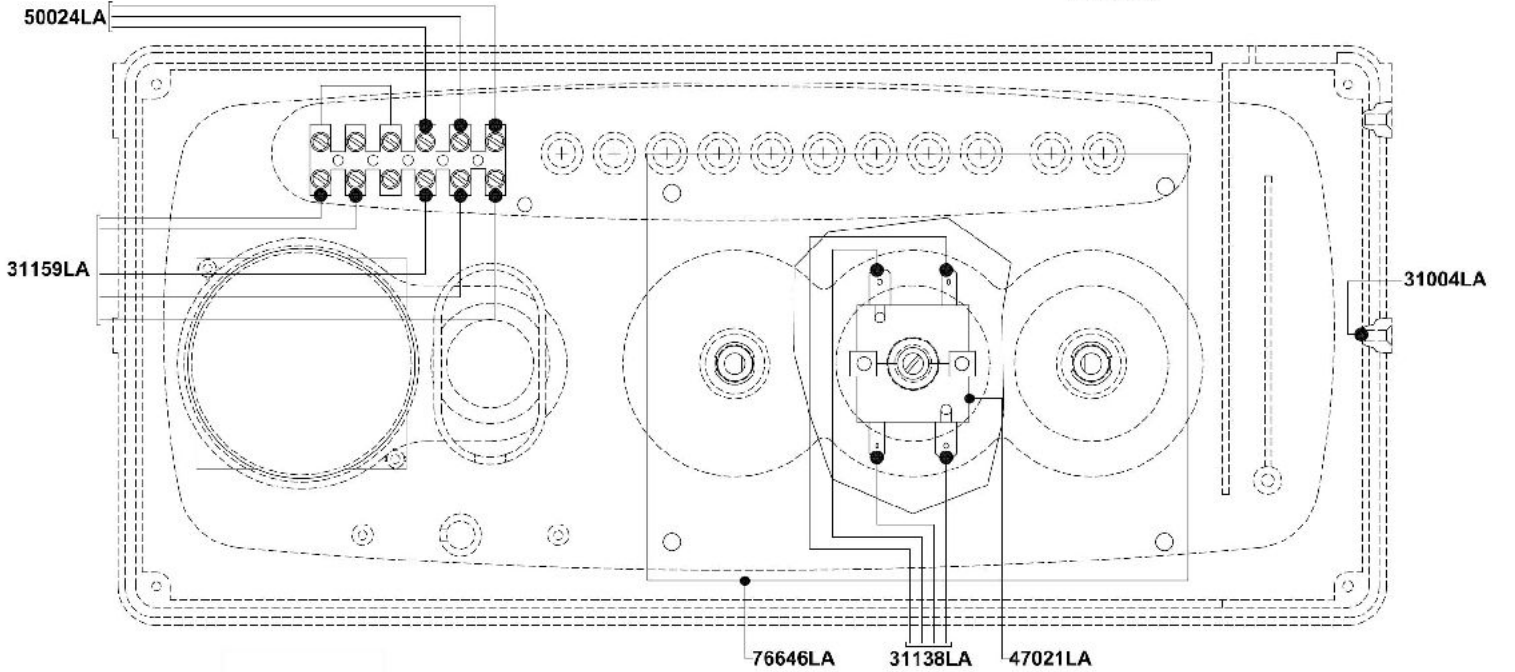
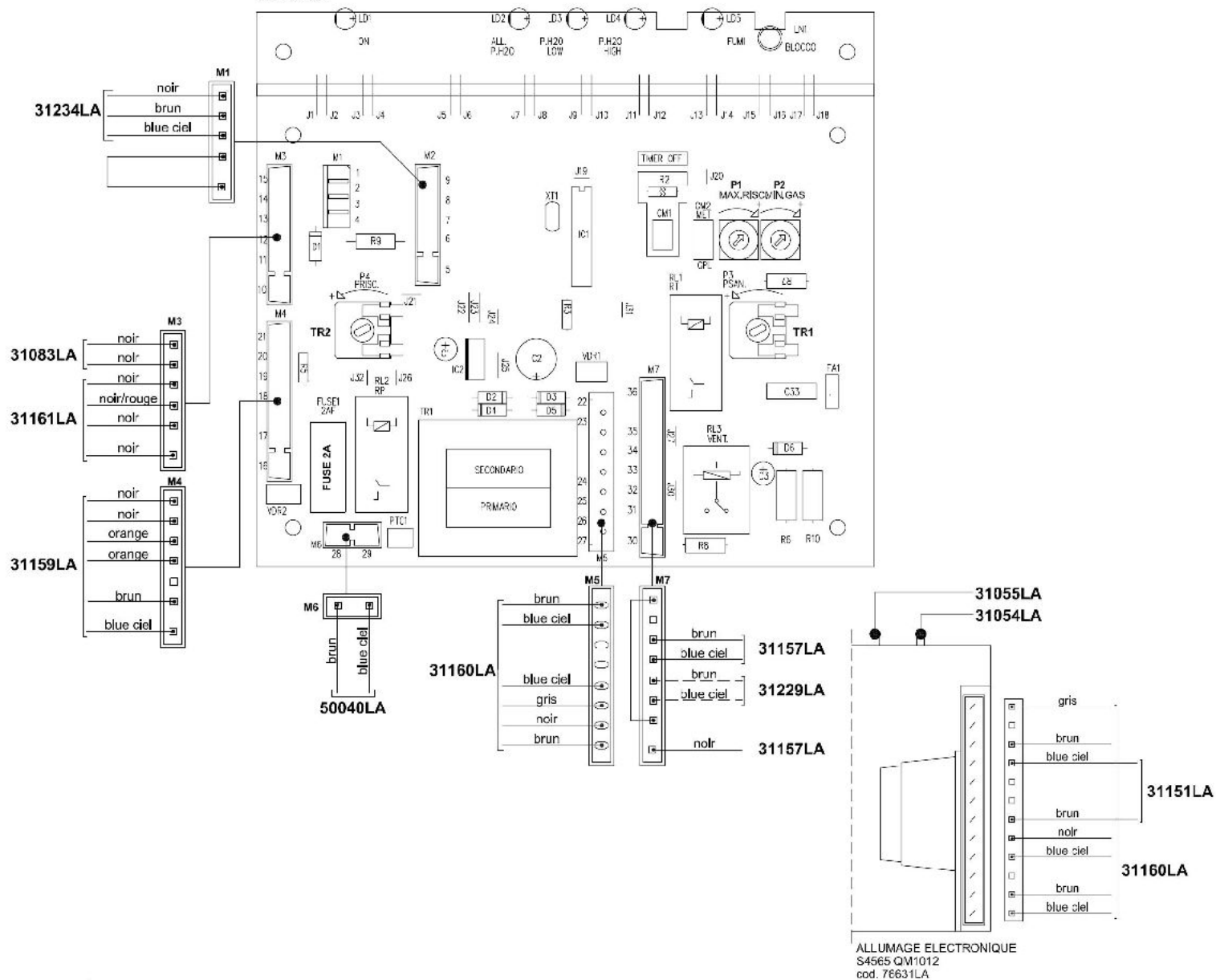
**RBS 20 E**





**RBS 20 E**

FICHE MODULATION  
SM20013  
cod. 76646LA



Ind	Piece	Designation	Type	Ind	Piece	Designation	Type
1-1	74103LP	ETRIER FIXATION MUR MIDY	SC	2-32	59015LA	PRESSOSTAT EAU LAITON	U
1-10	52126LA	FRONTAL HABILLAGE	SC	2-33	83542LP	TUBE D.18 ALLEE MIDY GAZ CENT	SC
1-11	64043LA	CARTER SLIM/S13 S209	SC	2-34	43117LA	JOINT PASSATUBE SIL D14	SC
1-12	74298LP	PLAQUE		2-35	83544LP	TUBE D.12 SANITAIRE CHAUD MID	SC
1-13	74119LP	ETRIER DX SUPPORT PANNEAU MID	SC	2-36	83545LP	TUBE D.12 SANITAIRE FROID MID	SC
1-14	74120LP	ETRIER SX SUPPORT PANNEAU MID	SC	2-37	58008LA	ECHANGEUR BITHERMIQUE PRB2	U
1-15	52125LA	LATERAL HABILLAGE SX	SC	2-38	86027LA	THERMOSTAT SURETE 90° 86027	U
1-2	79015LP	CHASSIS CHAUDIERE MIDY	SC	2-39	31154LA	CABLE THERMOSTATE SURETE	ATS
1-3	52124LA	LATERAL HABILLAGE DX	SC	2-4	54020LA	RESSORT FIXATION ECHANGEUR	
1-4	89036LP	BOUCHON BLANC	SC	2-40	54019LA	RESSORT THERMOSTATIQUE	SC
1-5	64025LA	DEVANT DU TABLEAU DE COMMAN	SC	2-5	83543LP	TUBE D. 18 RETOUR MIDY GAZ CE	SC
1-6	60013LA	RALLONGEMENT POIGNEE SLIM/MI		2-6	43009LP	FB10/1 JOINT SILICONE ROUGE R	SC
1-7	55018LA	POIGNEE SLIM/COMF.BLANC S2000		2-7	43208LA	JOINT 23X30X3SP EPDM 80 SH. 1	
1-8	47018LA	BOUCHON RESET BLANC		2-8	24045LA	CIRCULATEUR RSL 24045LA	U
1-9	89037LA	GRAND BOUCHON BLANC COMFOR	SC	2-9	83600LP	TUBE D.18 BY-PASS MIDY FR	SC
2-1	79015LP	CHASSIS CHAUDIERE MIDY	SC	3-1	62011LP	BOUCHON D.100 CHAMBRE ETAN	SC
2-10	43208LP	JOINT		3-10	30037LP	PAROI LATELAL SX CHAMBRE DE	SC
2-11	83601LP	TUBE D.8 DISCONNECTEUR MIDY F	SC	3-11	43194LA	PLAQUE FIBRE CERAMIQUE 43194	
2-12	54023LA	RESSORT BY-PASS M.PLEX	SC	3-12	92001LA	INJECTEUR	
2-13	64075LA	CORPS BY-PASS M.PLEX 64075LA	SC	3-13	92002LA	INJECTEUR	
2-14	67025LA	DISCO 1/4" 15.05.300 RBC ET RBS		3-14	21001LA	BRULEUR A 13 RAMPES 1.25 MET	U
2-15	64106LA	BAGUE DE BY PASS *M24	SC	3-15	30038LP	FOND CHAMBRE DE COMBUSTIO	SC
2-16	56019LA	NIPPLES 1/2 E.24X29 RESSORT SLIM	SC	3-16	28559LP	FOND	
2-17	26059LA	COLLECTEUR CIRC. M.PLEX	SC	3-17	35007LA	ELECTRODE D'ALLUMAGE 35007L	U
2-18	74298LP	PLAQUE	SC	3-18	43040LA	COUVERCLE ELECTRODE SIL/RO	
2-19	54016LA	RESSORT FIXATION GABARIT RACC	SC	3-19	31054LA	CABLE ELECTRODE DALLUMAGE	U
2-2	95014LA	VASE EXPANSION LT 6 3/8 BITH	U	3-2	28558LP	TETE SUPERIEURE C.ETANCHE M	SC
2-20	74120LP	ETRIER SX SUPPORT PANNEAU MID	SC	3-20	28621LP	TETE INFERIEURE MIDY GAZ CEN	SC
2-21	74119LP	ETRIER DX SUPPORT PANNEAU MID	SC	3-21	43009LA	FB10/1 JOINT SILICONE/ROUGE R	SC
2-22	96007LP	FLUSSOSTAT ELECTRONIQUE	U	3-22	57506LA	PRISE DE PRESSION 10X1 E11X23	SC
2-23	31083LA	ID9401/L CABLE MICRO MAGNETIC	U	3-23	84054LP	TUBE D14 VANNE GAZ	SC
2-24	61004LP	PISTON FLUSSOSTAT COMPLET	U	3-24	36066LA	VANNE GAZ VK4105G1005 36066L	U
2-25	26036LA	RACCORDEMENT FLUXOSTAT 2603	SC	3-25	28012LA	COUVERCLE VANNE	SC
2-26	67007LA	VANNE DE REMPLISSAGE 67007LA		3-26	76631LA	BOITIER ALLUMAGE 76631LA	U
2-27	86014LA	MANOMETRE 86014LA		3-27	31054LA	CABLE ELECTRODE DALLUMAGE	U
2-28	26036LA	RACCORDEMENT FLUXOSTAT 2603	SC	3-28	31055LA	CABLE ELECTRODE DIONISATION	U
2-29	41016LA	FILTRE FLUXOSTATE 98 2844	U	3-29	35009LA	ELECTRODE IONISATION 35009LA	U
2-3	73507LA	SONDE	U	3-3	28562LP	FOND C.ETANCHE	SC
2-30	88159LP	CONNEXION 3/4"	SC	3-30	31055LA	CABLE ELECTRODE DIONISATION	U
2-31	83547LP	TUBE D.10 VAS DEXPANSION MIDY	SC	3-31	43116LA	FIBRE CERAMIQUE FRONTAL 289*	
3-32	43011LA	FB12/1 JOINT SILICONE/ROUGE OVA	SC				
3-33	30032LP	COUVERCLE CHAMBRE DE COMBU	SC				
3-34	43137LA	JOINT SILICONE A/VERRE D35	SC				
3-35	28576LP	CAPOT CHAMBRE ETANCHE 28576L	SC				

Ind	Piece	Designation	Type	Ind	Piece	Designation	Type
3-36	59001LA	PRESSOSTAT AIR C6065AH1095 CE	U				
3-37	43018LA	TUBE SILICONE D8*4					
3-38	43042LA	JOINT SIL/ROU POUR TUBE	SC				
3-39	10010LP	BAGUE D. 60X32 ELECTROVENTILAT	SC				
3-4	25028LP	HOTTE FUMEEES	SC				
3-40	57512LP	PRISE DE PRESSOSTAT VENTURI D	U				
3-41	57501LP	PRISE DAIR D.6 DU PRESSOSTAT	U				
3-42	43194LA	PLAQUE FIBRE CERAMIQUE 43194L					
3-43	30036LP	PAROI LATERALE DX CHAMBRE DE	SC				
3-44	74150LP	PLAQUE CAPOT CHAMBRE ETANCH	SC				
3-5	40021LP	SUPPORT D80 ELECTROVENTILATE	SC				
3-6	37012LA	ELECTROVENTILATEUR 230V ES30-	U				
3-7	58008LA	ECHANGEUR BITHERMIQUE PRB205	U				
3-8	73507LA	SONDE	U				
3-9	54020LA	RESSORT FIXATION ECHANGEUR BI					
4-1	76646LA	CARTE DE MODULATION BI-THERM.	U				
4-10	31055LA	CABLE ELECTRODE DIONISATION 3	U				
4-11	31054LA	CABLE ELECTRODE DALLUMAGE 31	U				
4-12	31151LA	CABLE THERMOSTATIC SURETE SLI	SC				
4-13	50024LA	CABLE D'ALIMENTATION SCHUKO 3*	SC				
4-14	31159LA	CABLE ALIM THERMOST AMBIANCE	SC				
4-16	31138LA	X					
4-17	47021LA	COMMUTATEUR 3 POSITIONS 47021	U				
4-18	31004LA	CABLE DE LA PRISE DE TERRE 3100	SC				
4-2	31234LA	CABLE PRESSOSTAT EAU	SC				
4-3	31083LA	ID9401/L CABLE MICRO MAGNETIC	U				
4-4	31161LA	CABLE SONDE SANITAIRE CHAUFFA	SC				
4-5	31159LA	CABLE ALIM THERMOST AMBIANCE	SC				
4-6	50040LA	CONNECTEUR CIRCULATEUR 50040	SC				
4-7	31160LA	CABLE ALIM BOITE	SC				
4-8	31157LA	CABLE PRESSOSTAT D4AIR 31157L	SC				
4-9	31229LA	CABLE ELECTROVENTIL OBLO	SC				