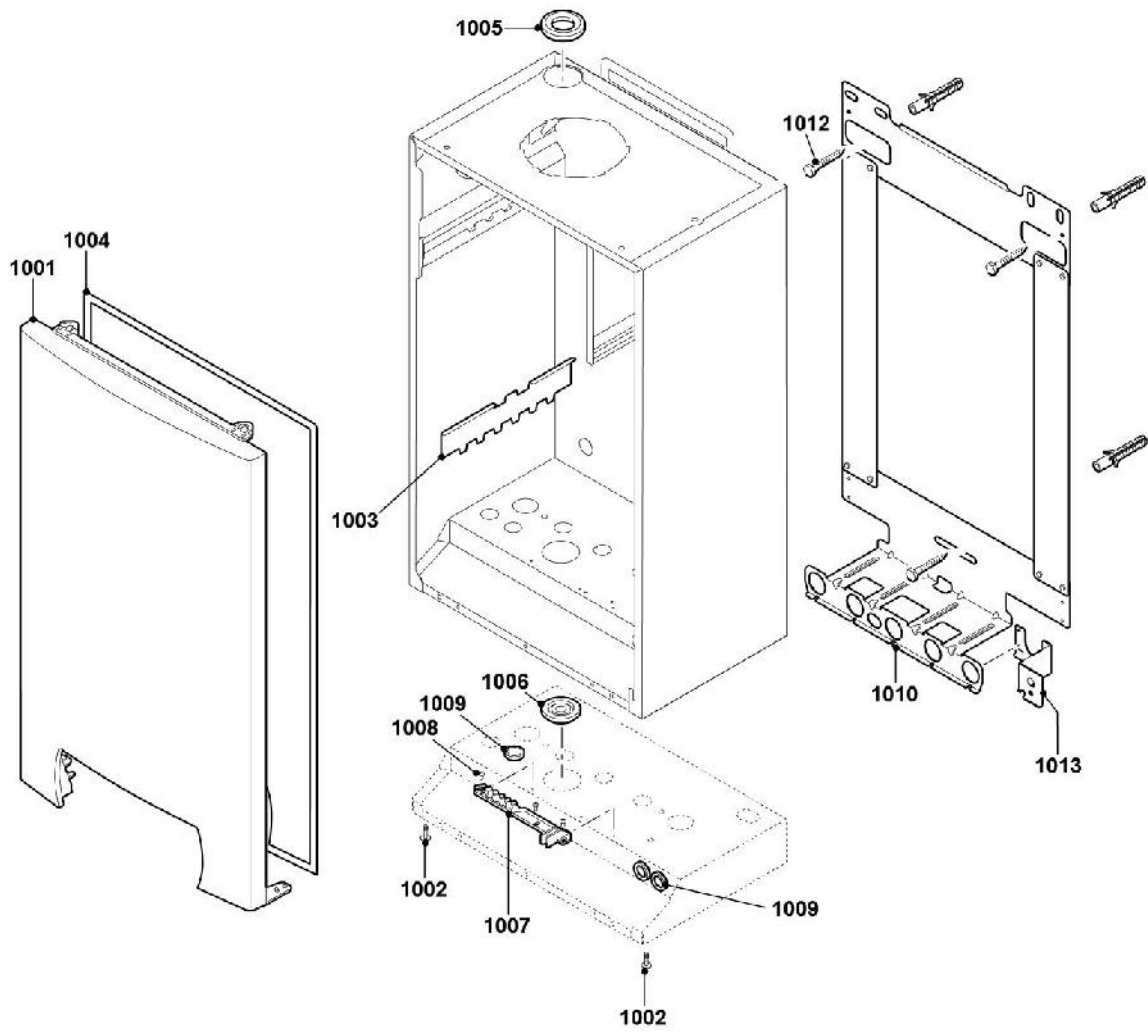
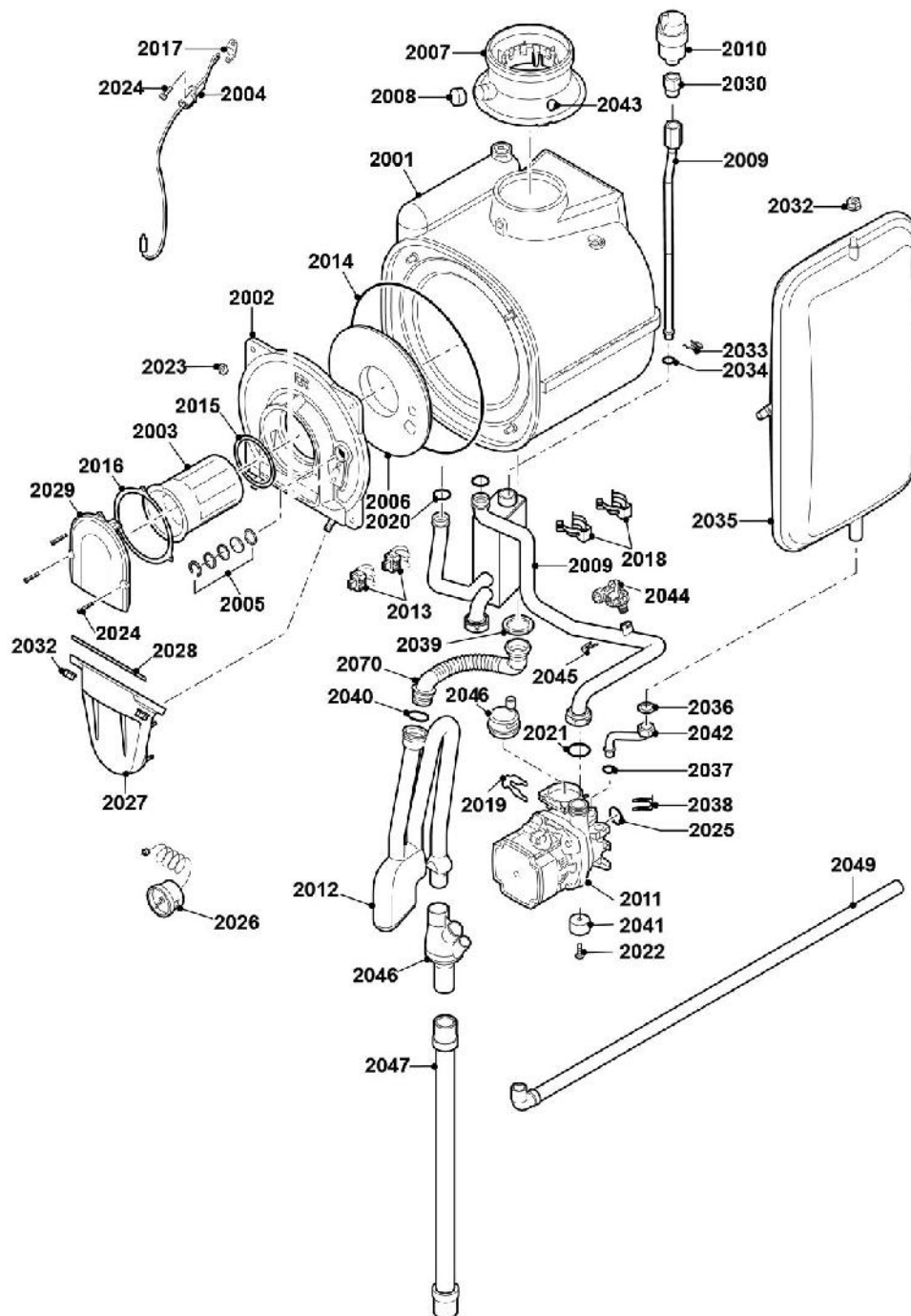


1



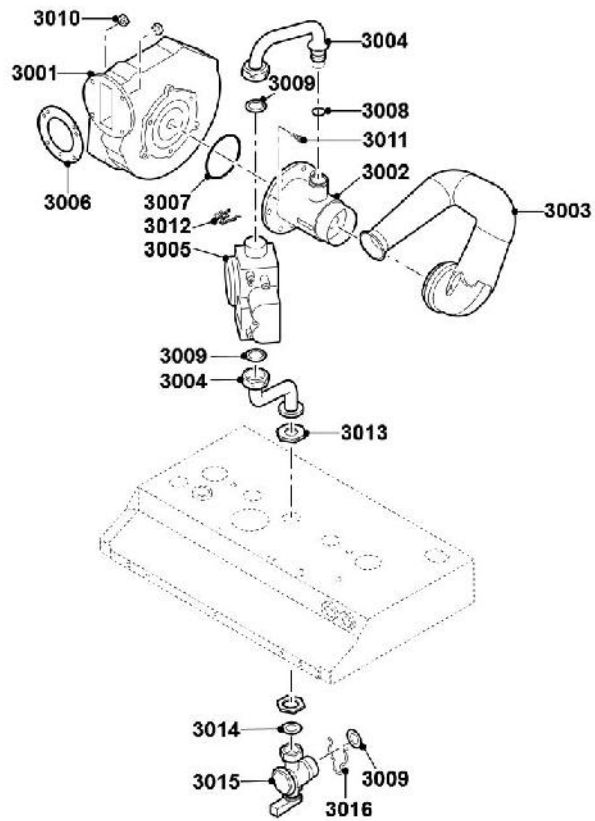
S100223	PANNEAU AVANT MCR	1001
S62708	Vis M5 x 20 (20 pcs.)	1002
S62723	PLAQUE FIXATION ECHANGEUR ...	1003
S62724	PLAQUE FIXATION ECHANGEUR ...	1003
S100071	PLAQUE FIXATION ECHANGEUR ...	1003
S62709	JOINT ETANCHEITE (10 m.)	1004
S62711	PASSE FIL Ø 48x28 mm. (5 ...	1005
S62720	PASSE FIL Ø 46x15 mm. (10 ...	1006
S62736	COLLIER FIXATION	1007
S62721	Vis K3,5x6,5 (15 pcs.)	1008
S62727	PASSE FIL D.20mm (x15)	1009
S62788	DOSSERET MONTAGE ROBINETS ...	1010
S62791	KIT VISSERIE FIXATION MURALE	1012
S100230	SUPPORT DISCONNECTEUR	1013

2



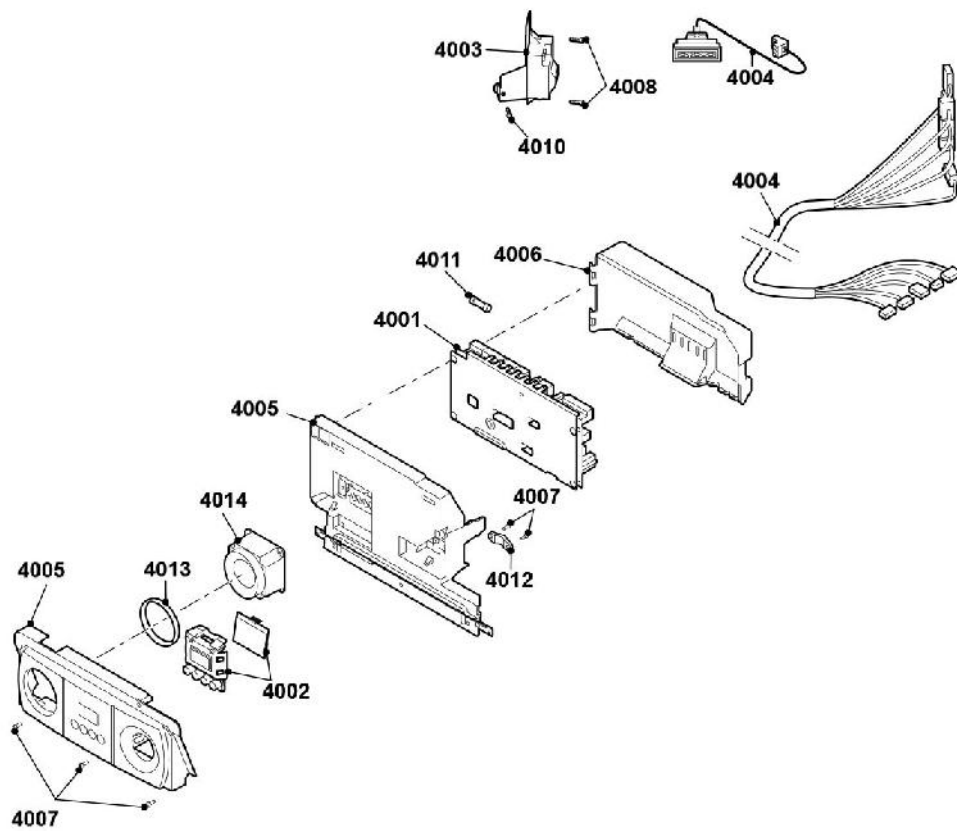
7627580	CABLE ALIMENTATION ...	0
S62777	ECHANGEUR 3+1 24/28	2001
S62779	PORTE DE BRULEUR ECHANGEUR ...	2002
S62741	BRULEUR 24/28KW	2003
S62743	ELECTRODE ALLUMAGE / ...	2004
S59118	VOYANT	2005
7619579	ISOLATION TOLE AVANT	2006
S62768	BUSE DE FUMEE 60/100	2007
S100465	ADAPTATEUR AIR/FUMEEES ...	2007
S62232	BOUCHON POUR PRISE DE ...	2008
S101381	TUBE HYDRAULIQUE 24/28-30/35	2009
97920027	PURGEUR AIR AUTOMATIQUE	2010
S100197	PURGEUR AIR (CIRCULATEUR)	2011
7631146	CIRCULATEUR UPM3	2011
S121020	CLIP PURGEUR AIR ...	2011
S62749	SIPHON + TUBE ECOULEMENT	2012
S58733	SONDE NTC (X2)	2013
S59596	JOINT PLAQUE FOYERE (X10	2014
S103172	JOINT BRULEUR (X5)	2015
S62718	JOINT TORIQUE Ø 94 X 2 (10 ...	2016
S62105	JOINT ELECTRODE (10X)	2017
S59586	CLIP 18MM (X10)	2018
S58731	RESSORT EPINGLE ...	2019
S59597	JOINT TORIQUE 18X2.8 (10X)	2020
S56155	JOINT Ø 23.8X17.2X2MM (X20)	2021
S59578	VIS M5x8 (x20)	2022
S54755	ECROU M6 (x20)	2023
S48950	VIS M4x10 (x50)	2024
S58730	JOINT TORIQUE	2025
S62733	MANOMETRE 0-4 BAR	2026
S62751	COUVERCLE CHAMBRE PREMELANGE	2027
S62719	JOINT (X10)	2028
S62742	COUVERCLE BRULEUR	2029
S62729	RACCORD DE PURGEUR (5X)	2030
S44483	ECROU M 8 (x10)	2032
S58757	RESSORT 17MM (10pcs)	2033
S62433	JOINT TORIQUE D.16 X 3.6 ...	2034
S62753	VASE EXPANSION RP 250 8 ...	2035
S62715	JOINT D.14,5X8,5X2 (X10)	2036
S62714	JOINT TORIQUE O 9,19 X ...	2037
S62712	Ressort en épingle 10 (10 ...	2038
S62394	JOINT SIPHON (X10)	2039
S62713	JOINT TORIQUE D. 20X2.5 ...	2040
S62793	RONDELLE (5X)	2041
S62757	TUBE POMPE - VASE EXPANSION	2042
S62233	BOUCHON POUR PRISE DE ...	2043
S101350	CAPTEUR DE PRESSION	2044
7605371	CLIP 9.4 (5x)	2045
S100238	COLLECTEUR DE CONDENSATS	2046
S100237	TUBE SIPHON	2047
S100239	TUBE POUR SOUPAPE DE ...	2049

3



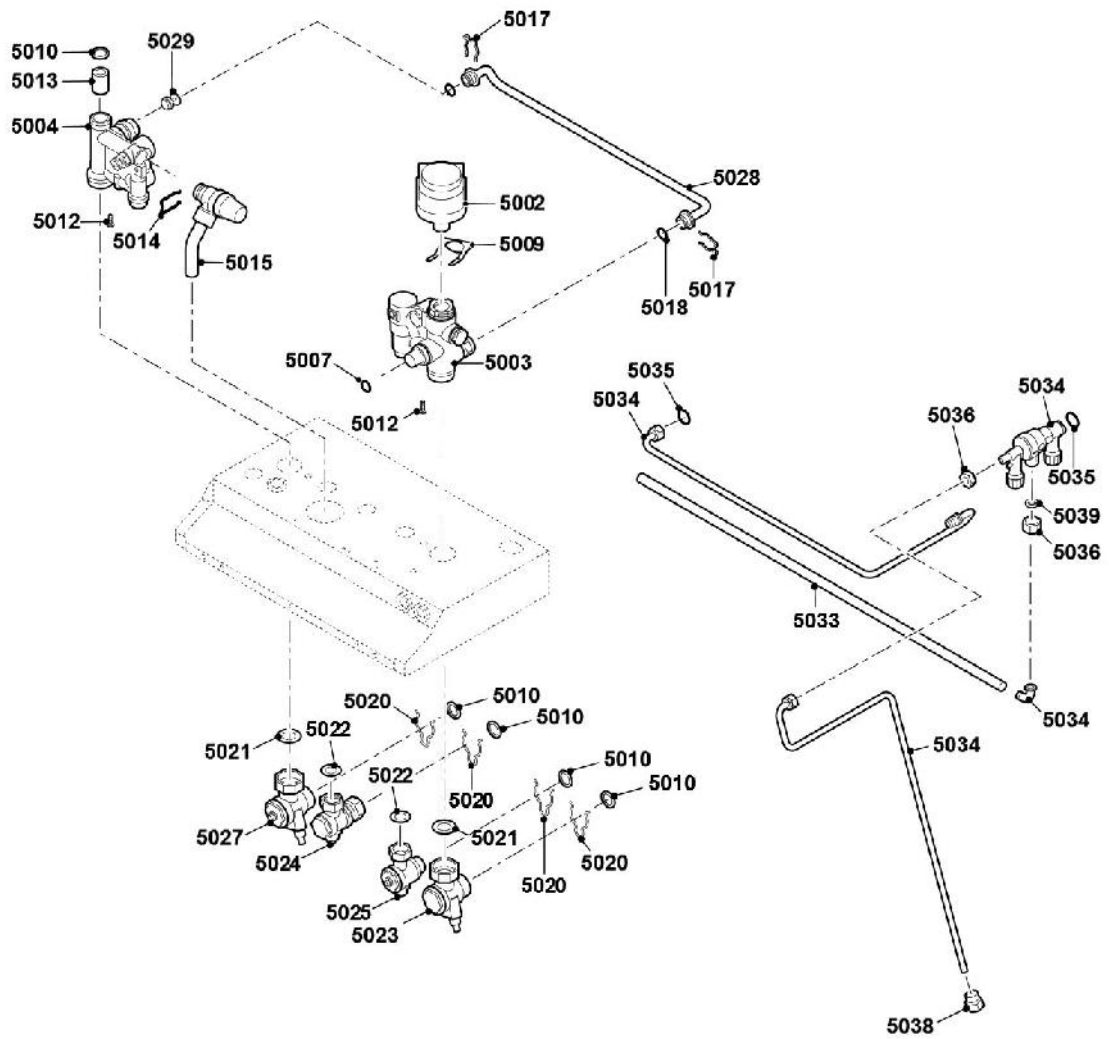
S100011	VENTILATEUR 24V	3001
S58683	VENTURI	3002
S62767	SILENCIEUX	3003
S62758	TUBE GAZ 24/28	3004
S62759	TUBE GAZ 34/39	3004
S100072	TUBE GAZ 30/35	3004
S58685	VANNE GAZ	3005
S45182	JOINT DE VENTILATEUR (10 ...	3006
S58739	JOINT TORIQUE Ø 63 X 3 (10 ...	3007
S58762	JOINT TORIQUE 14,5 x 2	3008
S56155	JOINT Ø 23.8X17.2X2MM (X20)	3009
S46687	ECROU M5 (x10)	3010
S59149	VIS M6x12 (x15)	3011
S58757	RESSORT 17MM (10pcs)	3012
S62794	ECROU 1/2" (5X)	3013
S56157	JOINT Ø 18,3 X 12,7 X 2 ...	3014
S62752	ROBINET GAZ	3015
S62725	CLIP (25X)	3016

4

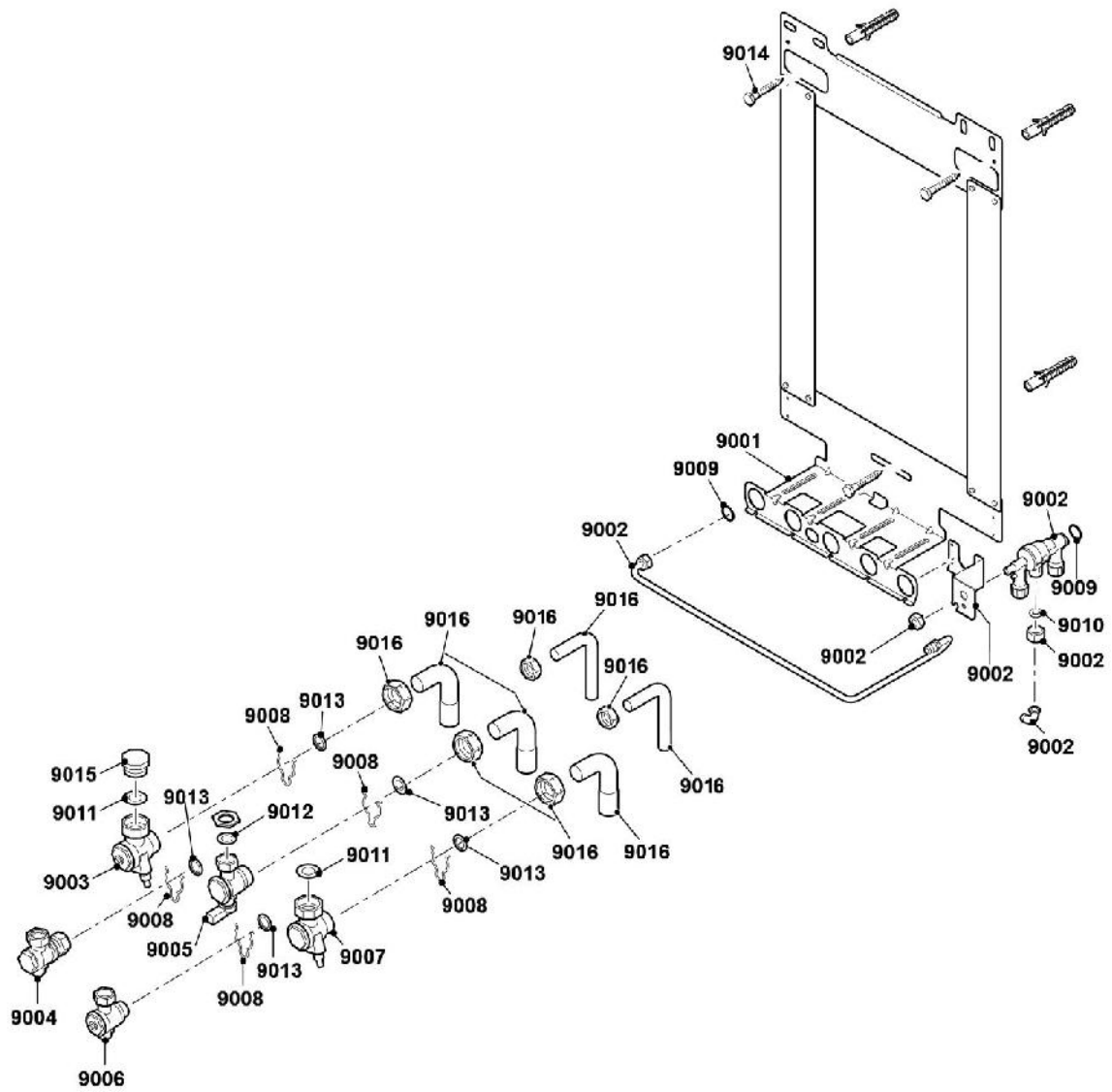


S100229	INTERRUPTEUR	0
7631144	CARTE SECURITE	4001
S100227	CARTE DISPLAY	4002
S62750	TRANSFORMATEUR ALLUMAGE	4003
7631138	FAISCEAU DE CABLES	4004
7637691	FACADE AVANT TABLEAU	4005
S62735	FACADE ARRIERE - TABLEAU ...	4006
S62710	VIS K3,5x10 (50 pcs.)	4007
S14254	VIS PARKER 4,2x9,5 (x20)	4008
S33974	VIS M4x16 (x10)	4010
S43561	FUSIBLE 2 AT (10 pcs)	4011
S59372	COLLIER FIXATION (x10)	4012

5



S100222	BOUCHON ETANCHEITE (2X)	0
S59141	VIS M5x18 (x15)	0
S62720	PASSE FIL Ø 46x15 mm. (10 ...	0
S59132	MOTEUR VANNE 3 VOIES	5002
S100248	HYDROBLOC DROITE	5003
S100247	HYDROBLOC GAUCHE	5004
S58730	JOINT TORIQUE	5007
S59135	RESSORT EPINGLE MOTEUR (X10)	5009
S56155	JOINT Ø 23.8X17.2X2MM (X20)	5010
S59578	VIS M5x8 (x20)	5012
S100032	FILTRE DEPART	5013
S62722	CLIP 16.5 (x10)	5014
S62763	SOUPAPE DE SECURITE 3 BAR	5015
S58757	RESSORT 17MM (10pcs)	5017
S62433	JOINT TORIQUE D.16 X 3.6 ...	5018
S62725	CLIP (25X)	5020
S62730	JOINT PLAT 27.4 X 18.2 X 2 ...	5021
S56157	JOINT Ø 18,3 X 12,7 X 2 ...	5022
S62765	ROBINET POUR TUBE D.22MM	5023
S62764	ROBINET POUR TUBE D.15MM	5024
S100234	VANNE D'ARRET 1/2" M10X1	5025
S100233	VANNE DARRET 7/8" M10X1	5027
S62754	TUBE BY-PASS	5028
S62532	CLAPET	5029
S100241	TUBE EVACUATION CONDENSATS ...	5033
S100246	DISCONNECTEUR	5034
S100232	JOINT 8.4X5X1.6 (10X)	5035
S100231	ECROU M10X1X5 (5X)	5036
S62715	JOINT D.14,5X8,5X2 (X10)	5039



S100222	BOUCHON ETANCHEITE (2X)	0
S59141	VIS M5x18 (x15)	0
S62720	PASSE FIL Ø 46x15 mm. (10 ...	0
S59132	MOTEUR VANNE 3 VOIES	5002
S100248	HYDROBLOC DROITE	5003
S100247	HYDROBLOC GAUCHE	5004
S58730	JOINT TORIQUE	5007
S59135	RESSORT EPINGLE MOTEUR (X10)	5009
S56155	JOINT Ø 23.8X17.2X2MM (X20)	5010
S59578	VIS M5x8 (x20)	5012
S100032	FILTRE DEPART	5013
S62722	CLIP 16.5 (x10)	5014
S62763	SOUPAPE DE SECURITE 3 BAR	5015
S58757	RESSORT 17MM (10pcs)	5017
S62433	JOINT TORIQUE D.16 X 3.6 ...	5018
S62725	CLIP (25X)	5020
S62730	JOINT PLAT 27.4 X 18.2 X 2 ...	5021
S56157	JOINT Ø 18,3 X 12,7 X 2 ...	5022
S62765	ROBINET POUR TUBE D.22MM	5023
S62764	ROBINET POUR TUBE D.15MM	5024
S100234	VANNE D'ARRET 1/2" M10X1	5025
S100233	VANNE DARRET 7/8" M10X1	5027
S62754	TUBE BY-PASS	5028
S62532	CLAPET	5029
S100241	TUBE EVACUATION CONDENSATS ...	5033
S100246	DISCONNECTEUR	5034
S100232	JOINT 8.4X5X1.6 (10X)	5035
S100231	ECROU M10X1X5 (5X)	5036
S62715	JOINT D.14,5X8,5X2 (X10)	5039