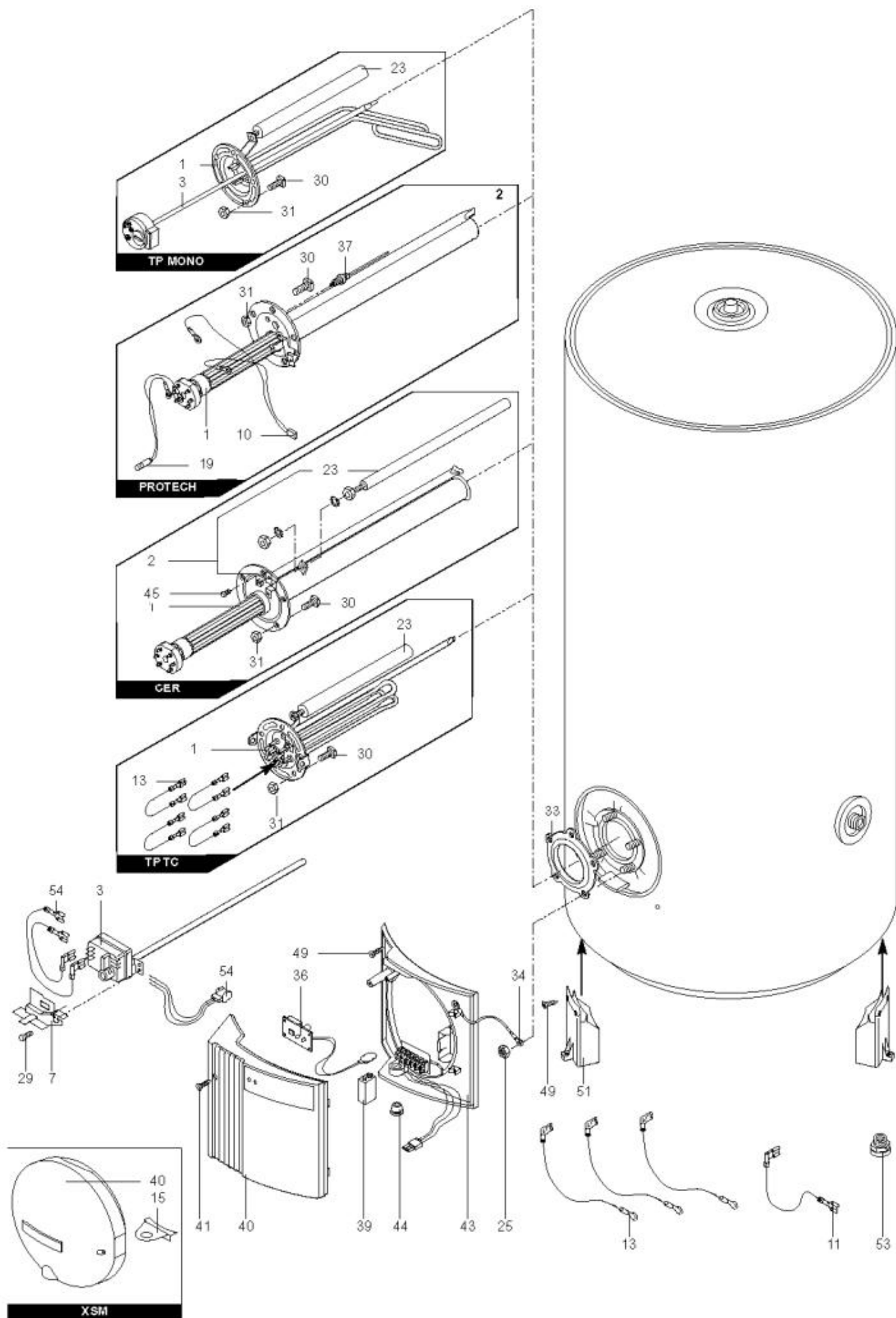




LISTE DE PIECES

02/06/2016

| | |
|----------------|--|
| <i>Produit</i> | 509142300760 - 300 PRESTIGE ST TP TC 3000W |
| <i>Modèle</i> | 300L STABLE BLINDEE |
| <i>Marque</i> | CHAFFOTEAUX |
| <i>Date</i> | 02/04/2012 |



| Table | | STABLE de 04/03 à ... | | | | | | | |
|-------|-------------|-----------------------|--|--------------|------------|----------|-------------------|--------------------------|--|
| Rep. | Référence | ALIAS | Désignation | Remplacé par | Date début | Date fin | Multiple de vente | Tarif Public Unitaire HT | |
| 1 | 992163 | | RESISTANCE BLINDEE 3000W 380V 5 TROUS | | | | 1 | | |
| 3 | 992162 | | THERMOSTAT A CANNE L:450 | | | | 1 | | |
| 13 | 925075 | | CABLAGE (VIOLET) 2,5X100 (fast.-fast.) | | | | 1 | | |
| 23 | 61316488-01 | | ANODE D:21,3 L:275 M5-M8 | | | | 1 | | |
| 25 | 918106 | | ECROU M 8-4 | | | | 5 | | |
| 29 | 918012 | | VIS M 5-8MM ZINGUEE | | | | 5 | | |
| 30 | 918064 | | VIS DE FIXATION EMBASE M 8-20 | | | | 1 | | |
| 31 | 918004 | | ECROU FIXATION EMBASE M8 | | | | 1 | | |
| 33 | 924001 | | JOINT BRIDE 5 TROUS D.75 | | | | 1 | | |
| 34 | 925342 | | CABLAGE DE TERRE | | | | 1 | | |
| 40 | 992145 | | CAPOT | | | | 1 | | |
| 41 | 65100161 | | VIS DE FIXATION CAPOT | 61005254 | | | 10 | | |
| 43 | 992144 | | SUPPORT | | | | 1 | | |
| 44 | 573273 | | PASSE CABLE | | | | 1 | | |
| 49 | 61005324 | | VIS AUTOPERCEUSE D: 4.2-19 | | | | 5 | | |
| 51 | 992146 | | PIED HT 100 | | | | 1 | | |
| 54 | 925025 | | CABLAGE (BRUN) 2,5X160 (faston-faston) | | | | 1 | | |