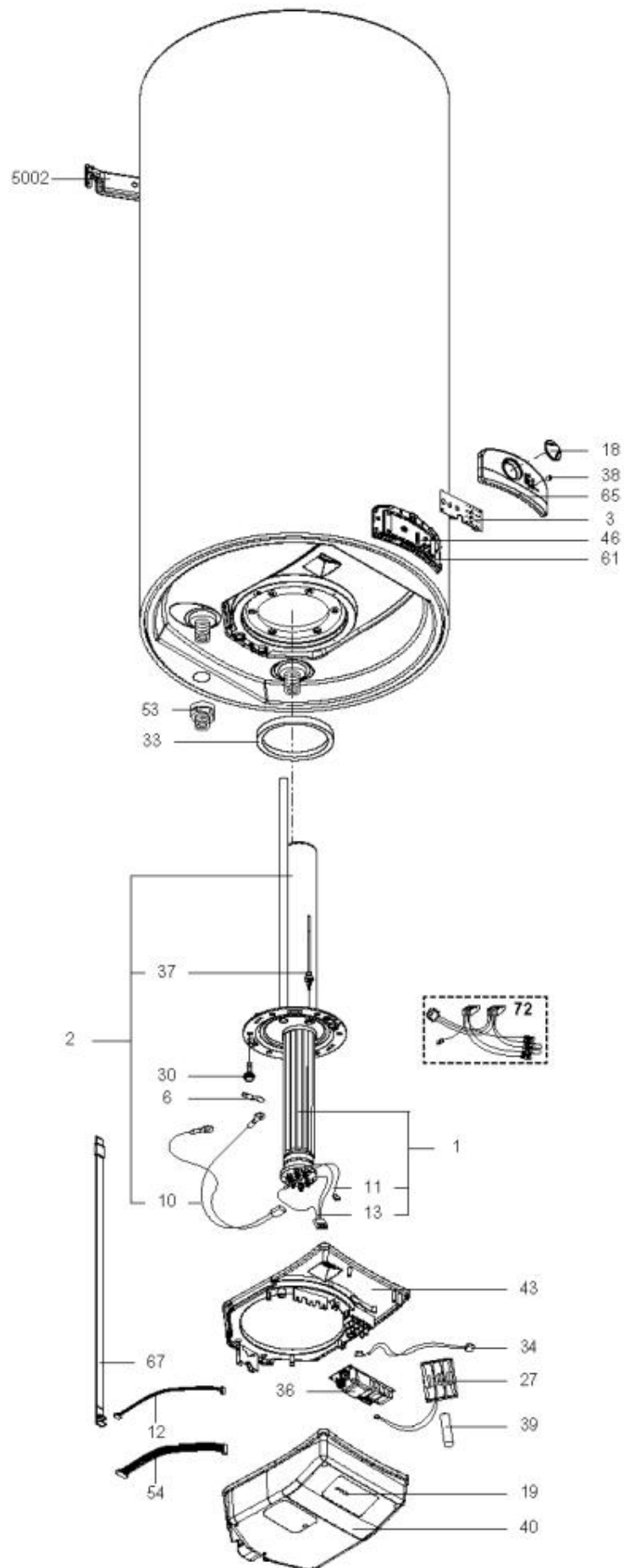




LISTE DE PIECES

23/05/2016

| | |
|----------------|------------------------------------|
| <i>Produit</i> | 3000089 - ARI 150 VERT 560 TIT+ MT |
| <i>Modèle</i> | 150L VERTICAL STEATITE |
| <i>Marque</i> | CHAFFOTEAUX |
| <i>Date</i> | 13/04/2012 |



| Table | | TITANIUM | | | | | | | |
|-------|-------------|----------|--|--------------|------------|----------|-------------------|--------------------------|--|
| Rep. | Référence | ALIAS | Désignation | Remplacé par | Date début | Date fin | Multiple de vente | Tarif Public Unitaire HT | |
| 1 | 60000059-01 | | RESISTANCE STEATITE 3000W D.50 | | | | 1 | | |
| 2 | 60000714 | | EMBASE + ANODE PROTECH | | | | 1 | | |
| 3 | 60000773 | | CIRCUIT IMPRIME DE REGULATION | | | | 1 | | |
| 6 | 60072531 | | PATTE DE FIXATION | | | | 1 | | |
| 10 | 60000344 | | CABLAGE ELECTRODE | | | | 1 | | |
| 11 | 60000449 | | CABLAGE RESISTANCE > C.I. | | | | 1 | | |
| 12 | 60000772 | | CABLAGE THERMISTANCE | | | | 1 | | |
| 13 | 60000450 | | CABLAGE RESISTANCE > C.I. | | | | 1 | | |
| 18 | 60000441 | | MOLETTE DE REGLAGE | | | | 1 | | |
| 19 | 998577 | | VITRE LED L=14.2 | | | | 1 | | |
| 27 | 60000478 | | PORTE BATTERIE | | | | 1 | | |
| 30 | 60000681 | | VIS DE FIXATION EMBASE M 8-14 (6 PCES) | | | | 1 | | |
| 33 | 60000682 | | JOINT BRIDE D:121.7-105-11.5 | | | | 1 | | |
| 34 | 60000448 | | CABLAGE ELECTRODE > C.I. | | | | 1 | | |
| 36 | 60000442 | | CIRCUIT IMPRIME DE PUISSANCE | | | | 1 | | |
| 37 | 340406 | | ANODE PROTECH | | | | 1 | | |
| 38 | 60000794 | | BOUTON POUSSOIR | | | | 1 | | |
| 39 | 60000443 | | BATTERIE AA | | | | 1 | | |
| 40 | 60000774 | | COUVERCLE BOITIER | | | | 1 | | |
| 43 | 60000766 | | FOND DE BOITIER | | | | 1 | | |
| 46 | 60000791 | | BOITIER | | | | 1 | | |
| 53 | 926195 | | RACCORDS DIELECTRI. 3/4-75 A 300L KIT | | | | 1 | | |
| 54 | 60000775 | | CABLAGE INTERCONNEXION | | | | 1 | | |
| 61 | 60000792 | | FOND DE BOITIER | | | | 1 | | |
| 65 | 60000793 | | COUVERCLE BOITIER | | | | 1 | | |
| 67 | 60000446 | | THERMISTANCE | | | | 1 | | |
| 72 | 60000776 | | FAISCEAU DE CABLES | | | 12/09 | 1 | | |
| 72 | 60001500 | | FAISCEAU DE CABLES | | 12/09 | | 1 | | |
| 5002 | 912006 | | PATTE MURALE D:470-505-560 | | | | 1 | | |