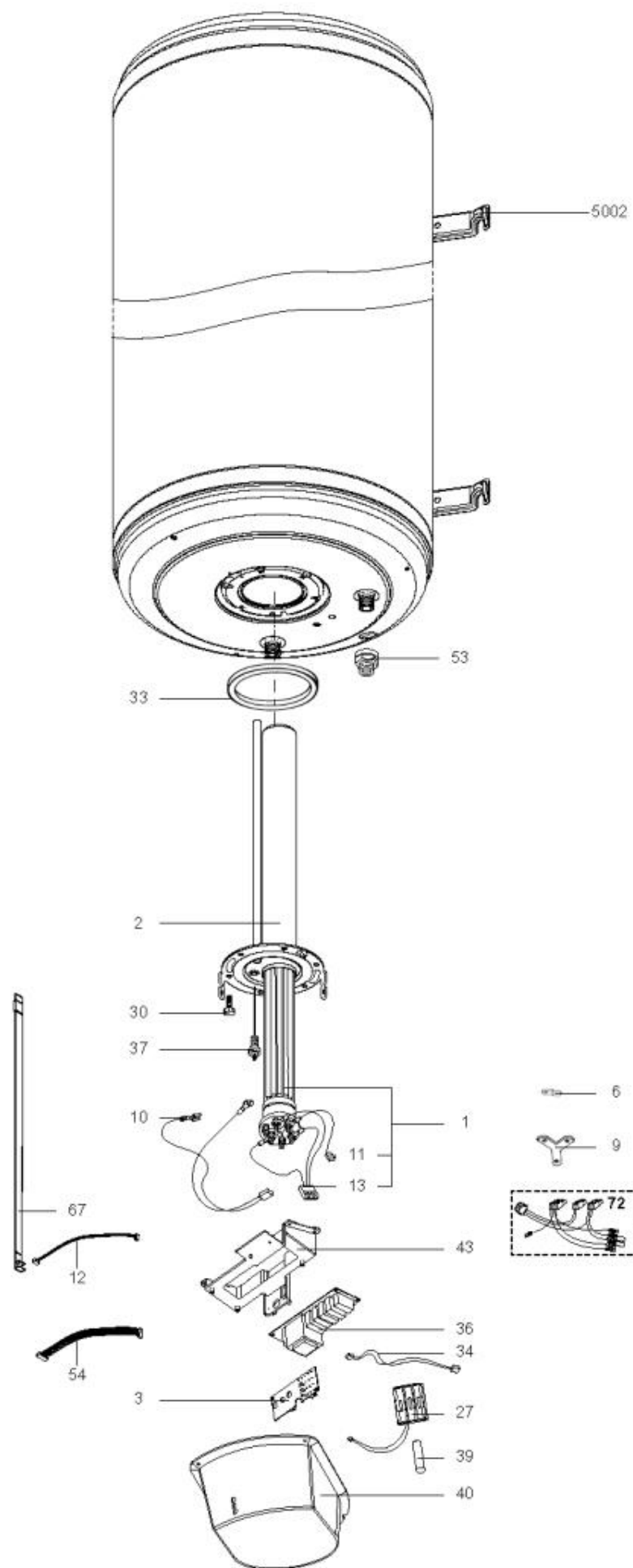




LISTE DE PIECES

12/05/2016

| | |
|----------------|-------------------------------------|
| <i>Produit</i> | 3060037 - 150 VT CER TITANIUM + C&M |
| <i>Modèle</i> | 150L VERTICAL STEATITE |
| <i>Marque</i> | CHAFFOTEAUX |
| <i>Date</i> | 29/03/2012 |



| Table | | VERTICAL CER TITANIUM | | | | | | | |
|-------|-----------|-----------------------|--|--------------|------------|----------|-------------------|--------------------------|--|
| Rep. | Référence | ALIAS | Désignation | Remplacé par | Date début | Date fin | Multiple de vente | Tarif Public Unitaire HT | |
| 1 | 60000461 | | RESISTANCE STEATITE 2400W | 61005491 | | | 1 | | |
| 2 | 60000462 | | FOYER 6 TROUS | | | | 1 | | |
| 3 | 60000773 | | CIRCUIT IMPRIME DE REGULATION | | | | 1 | | |
| 6 | 60072531 | | PATTE DE FIXATION | | | | 1 | | |
| 9 | 60000696 | | BARRETTE (X2) + ETOILE (X3) (Pochette) | | | | 1 | | |
| 10 | 60000463 | | CABLAGE ELECTRODE | | | | 1 | | |
| 11 | 60000449 | | CABLAGE RESISTANCE > C.I. | | | | 1 | | |
| 12 | 60000464 | | CABLAGE THERMISTANCE | | | | 1 | | |
| 13 | 60000450 | | CABLAGE RESISTANCE > C.I. | | | | 1 | | |
| 27 | 60000510 | | PORTE BATTERIE | | | | 1 | | |
| 30 | 61315253 | | VIS AUTOTARAUEUSE M 8-16 | 60000681 | | | 1 | | |
| 33 | 60071829 | | JOINT BRIDE D:121.3-105-7.1 | | | | 1 | | |
| 34 | 60000507 | | CABLAGE ELECTRODE > C.I. | | | | 1 | | |
| 36 | 60000442 | | CIRCUIT IMPRIME DE PUISSANCE | | | | 1 | | |
| 37 | 340407 | | ANODE A COURANT GRAVE PROTECH | | | | 1 | | |
| 39 | 60000443 | | BATTERIE AA | | | | 1 | | |
| 40 | 60000465 | | COUVERCLE BOITIER | | | | 1 | | |
| 43 | 60000466 | | FOND DE BOITIER | | | | 1 | | |
| 53 | 60077535 | | MANCHON ISOLANT 3/4 MF | | | | 1 | | |
| 54 | 60000509 | | CABLAGE INTERCONNEXION | | | | 1 | | |
| 67 | 60000446 | | THERMISTANCE | | | | 1 | | |
| 72 | 60000508 | | FAISCEAU DE CABLES | | | | 1 | | |
| 5002 | 912006 | | PATTE MURALE D:470-505-560 | | | | 1 | | |