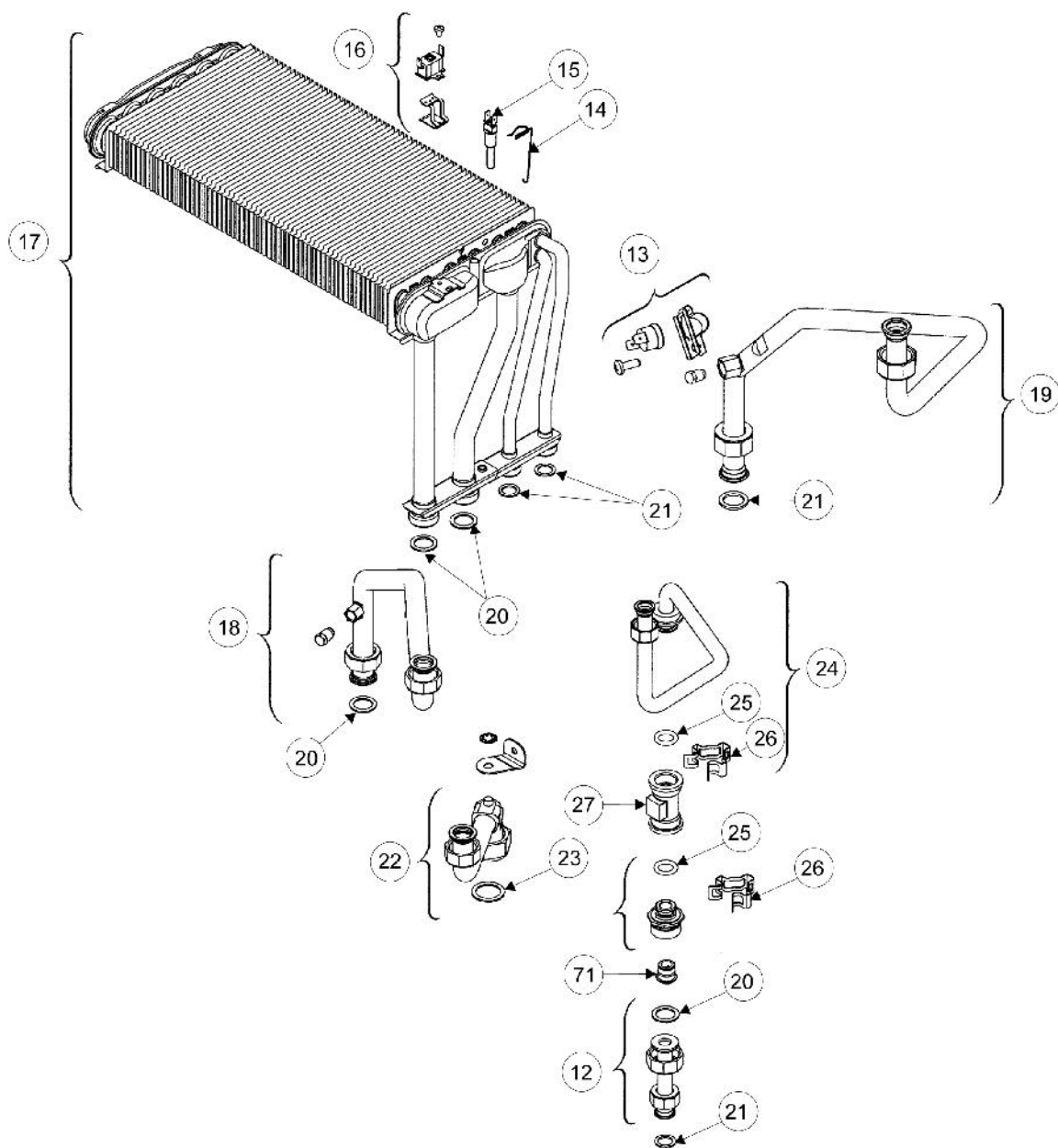
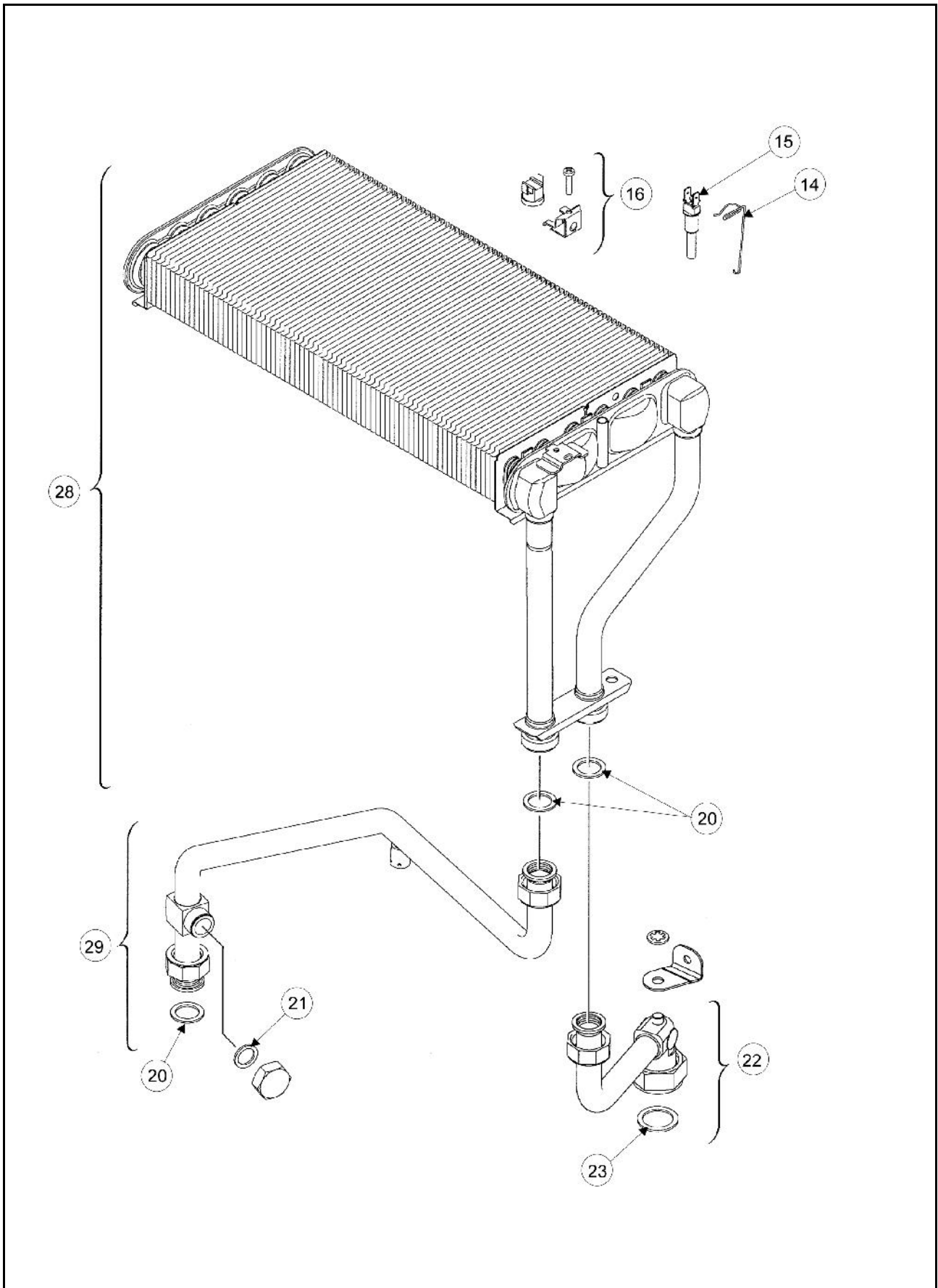


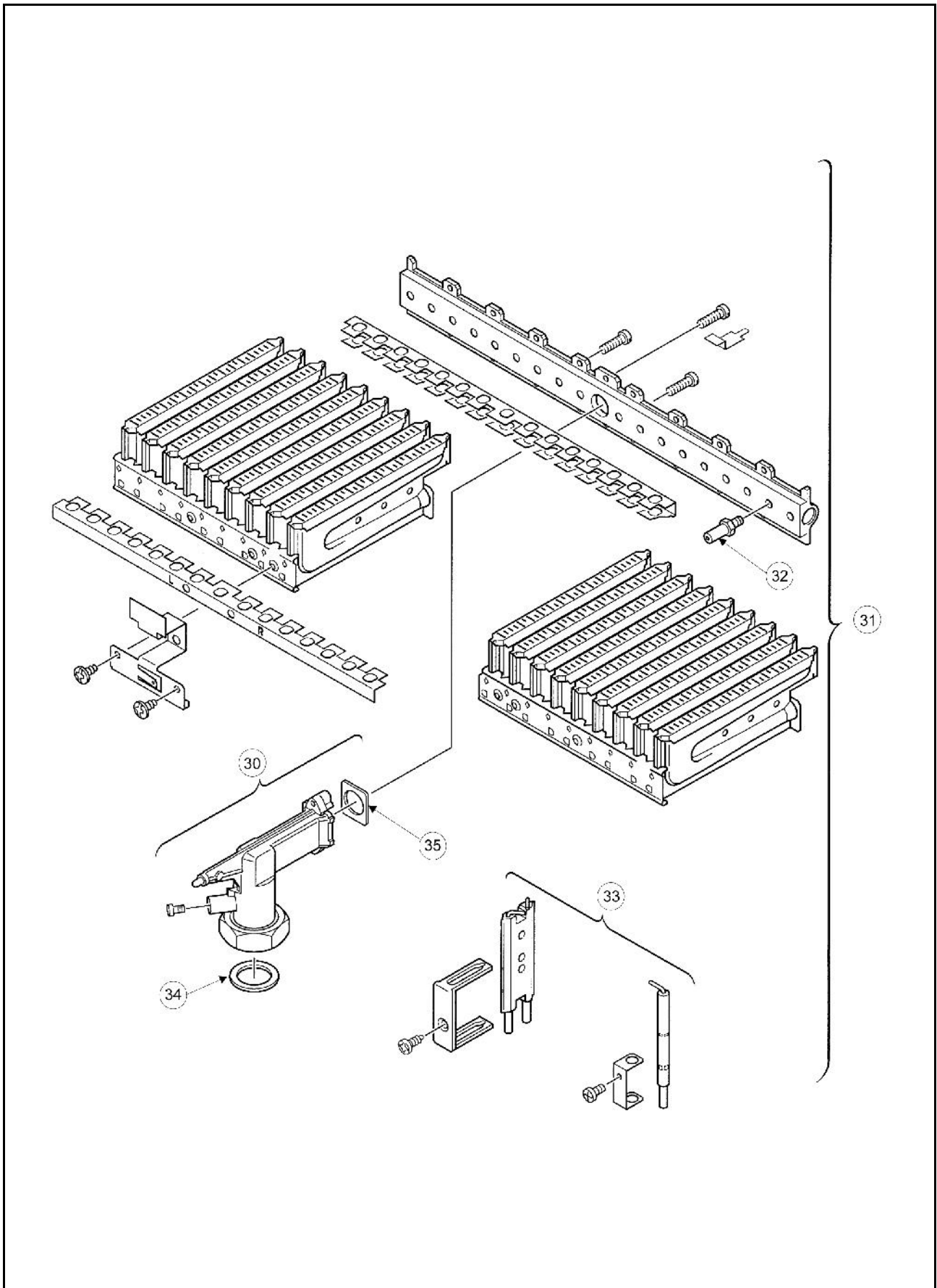
**CORALIA CHEMINEE - HABILLAGE**



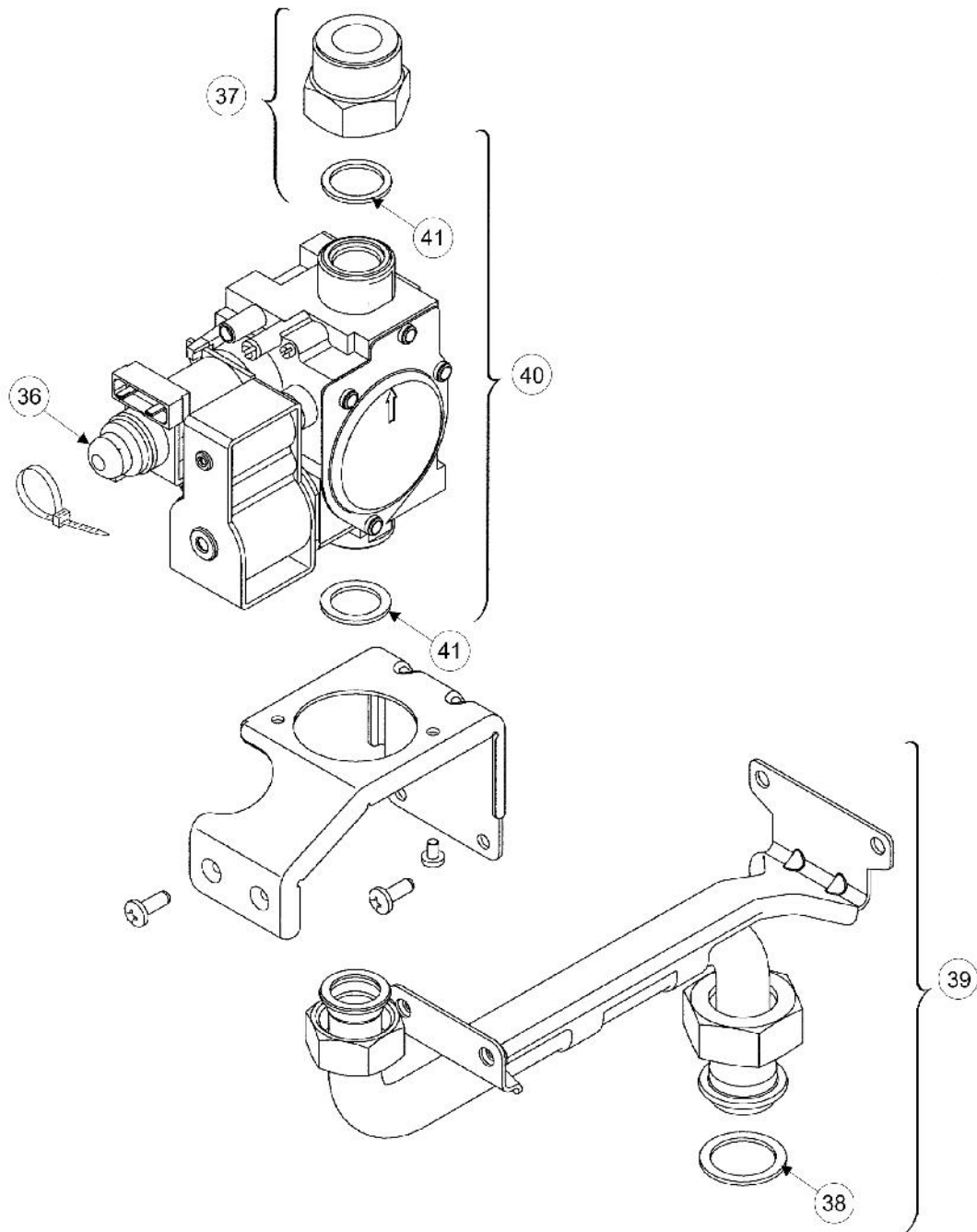
**CORALIA CHEMINEE - ECHANGEUR CHAUFFAGE ET SANTAIRE**



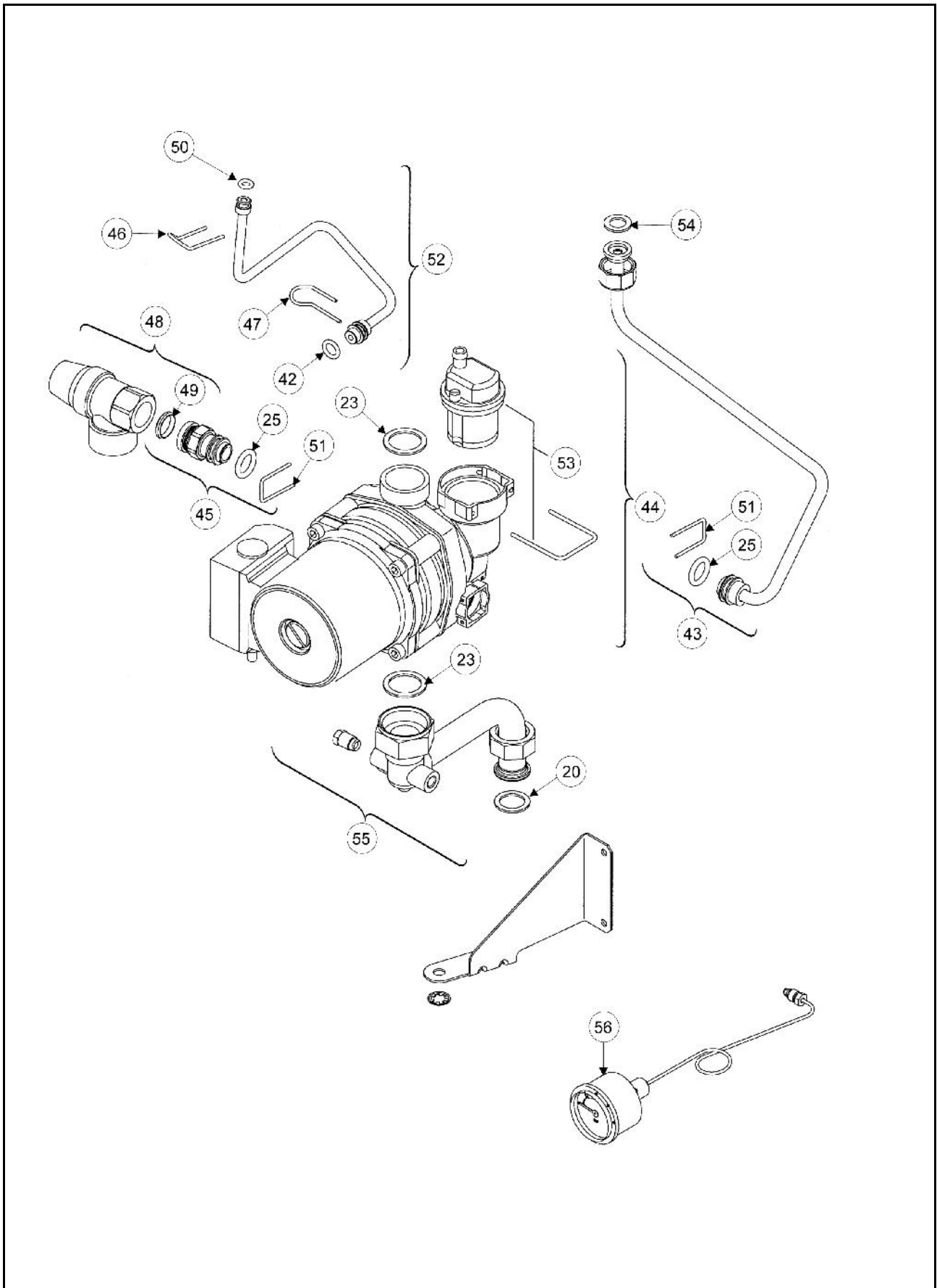
**CORALIA CHEMINEE - ECHANGEUR CHAUFFAGE**



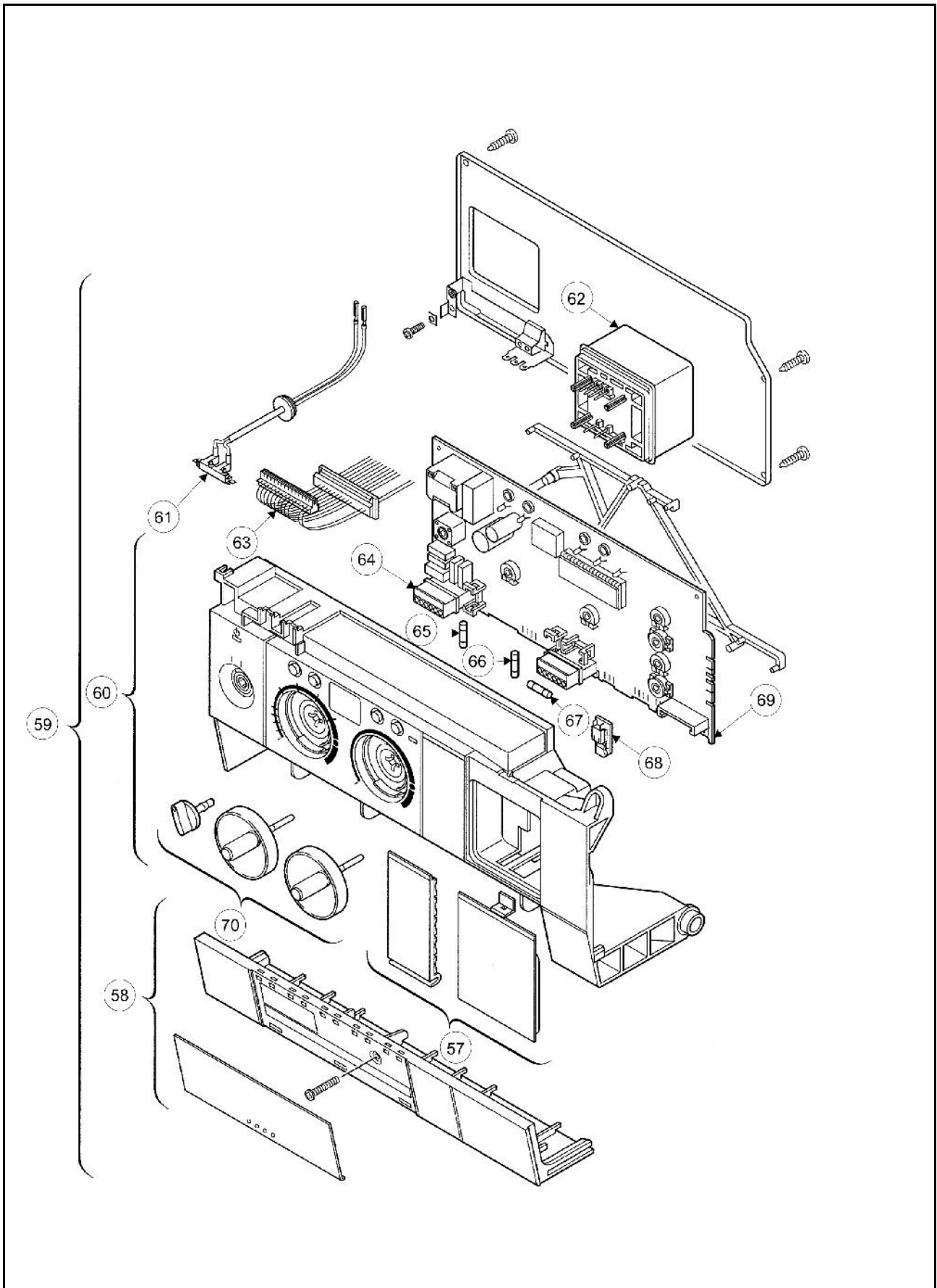
**CORALIA CHEMINEE - BRÛLEUR**



**CORALIA CHEMINEE - VANNE GAZ**



**CORALIA CHEMINEE - RACCORDMENT HYDRAULIQUE**



**CORALIA CHEMINEE - COFFRET DE COMMANDE**