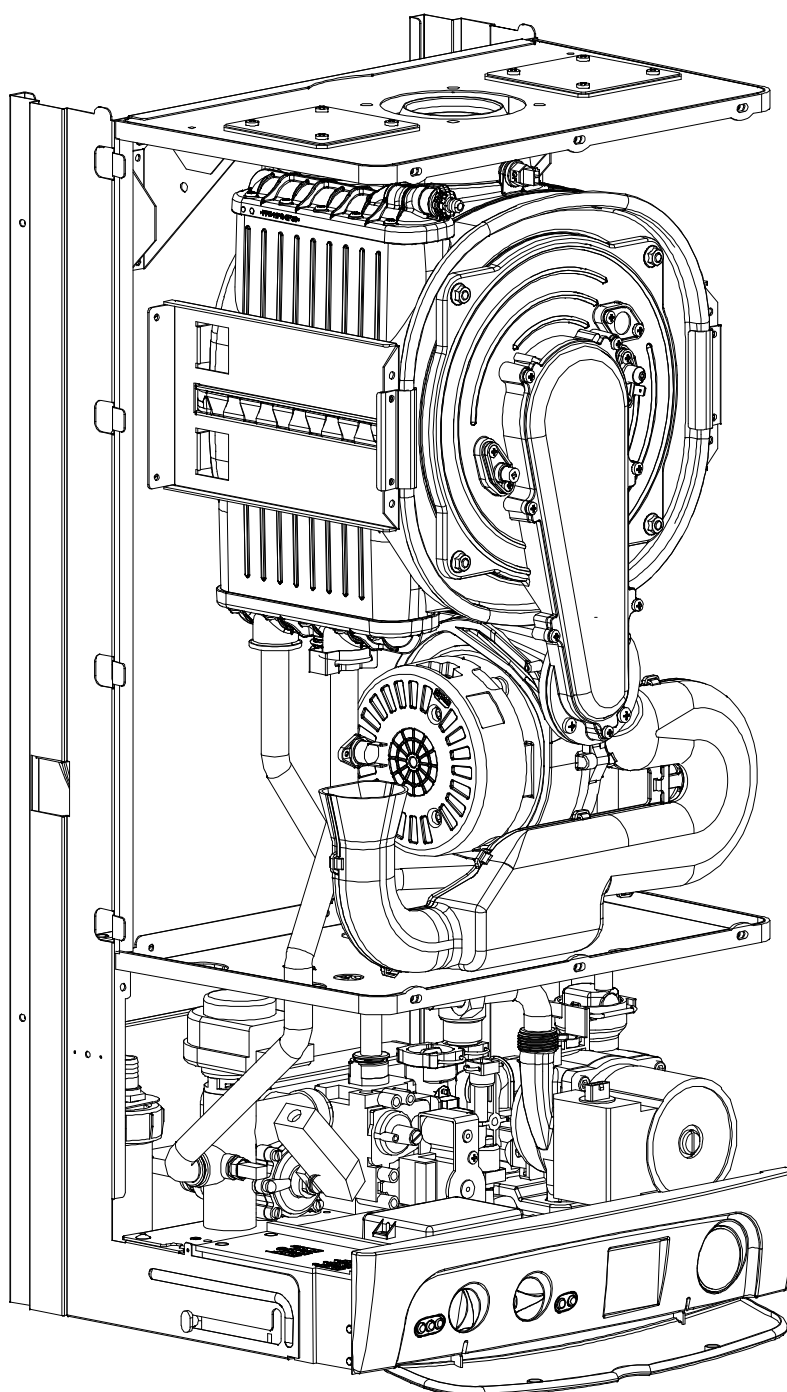


M110B.24SR/C

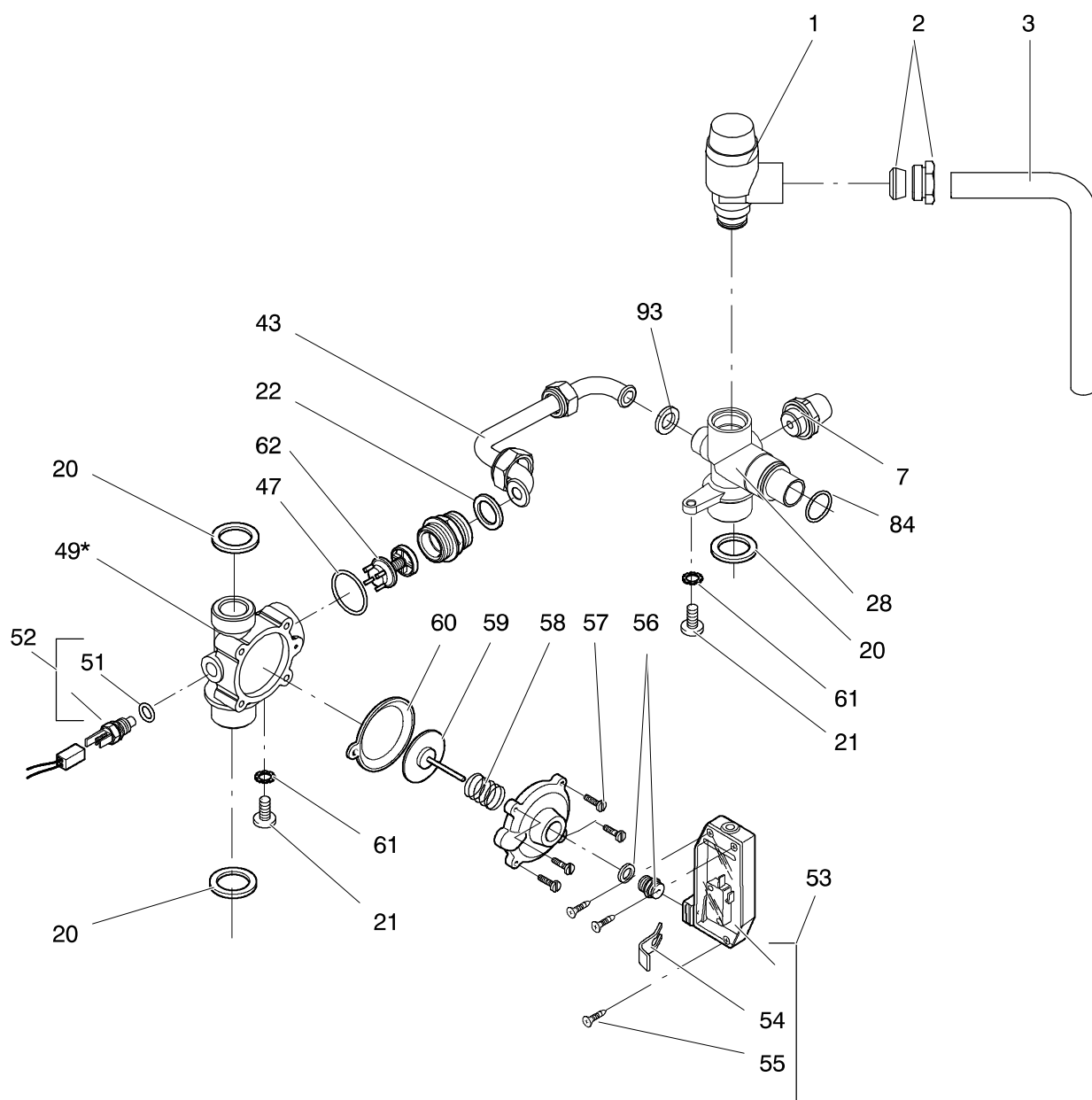
41-583-07

Overall view

DATA BADGE: inner side of left case panel



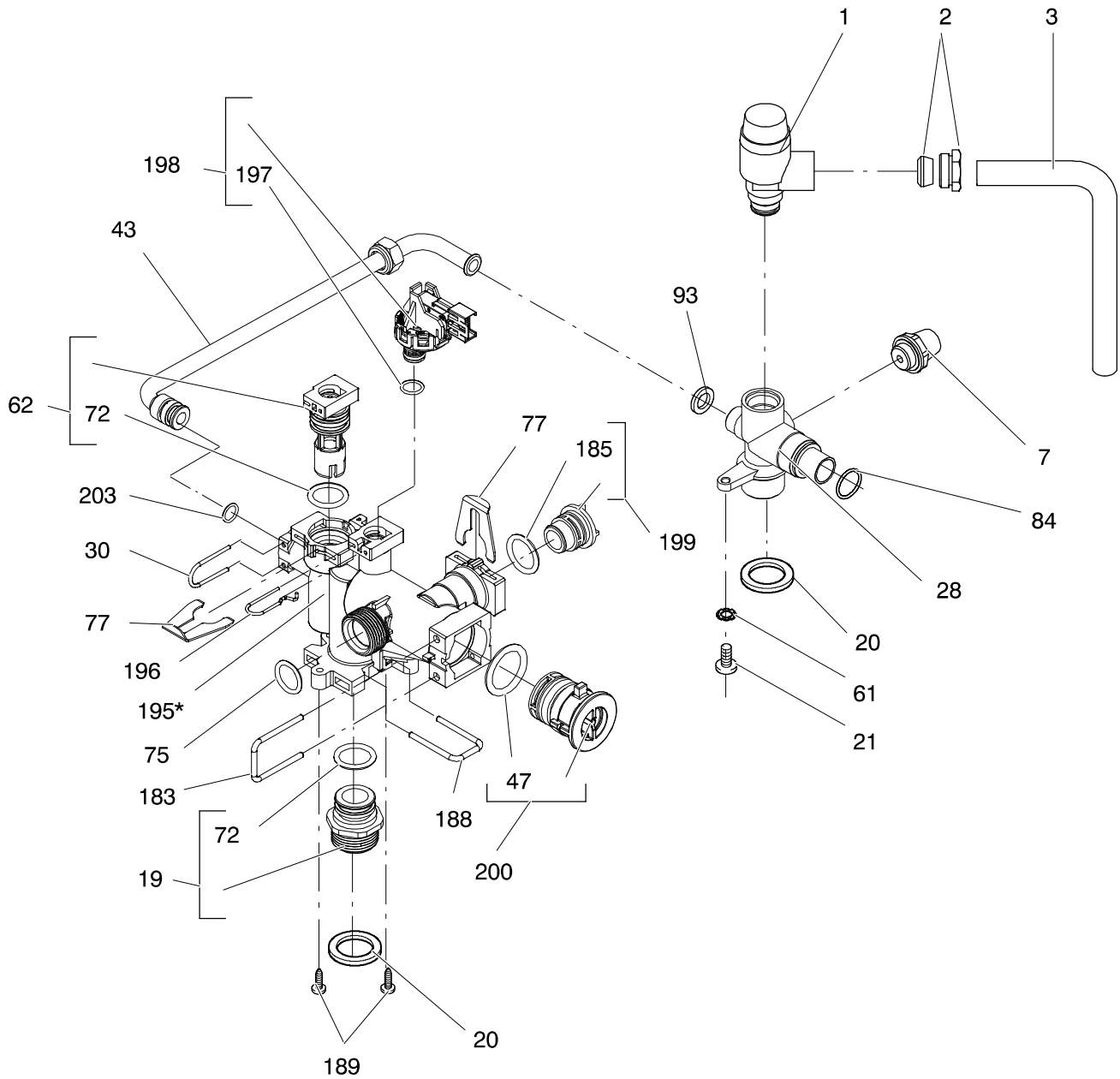
C.h. flow and return groups up to serial no N016721013



\* Inclu

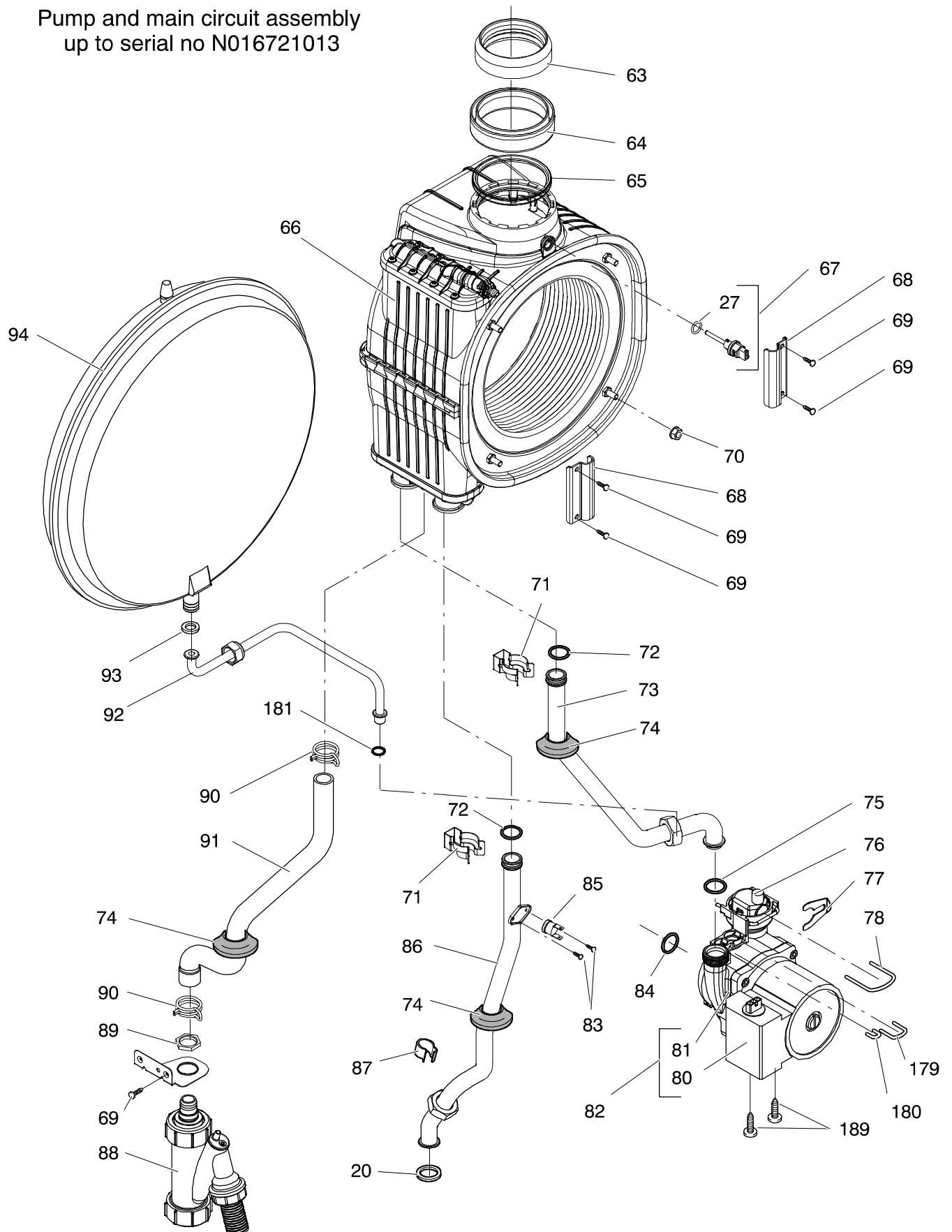
47, 60, 59, 58, 57, 56, 62

C.h. flow and return groups from serial no N016731013



\* Inclu 75, 38, 185, 72, 47, 197, 199, 200

Pump and main circuit assembly  
up to serial no N016721013

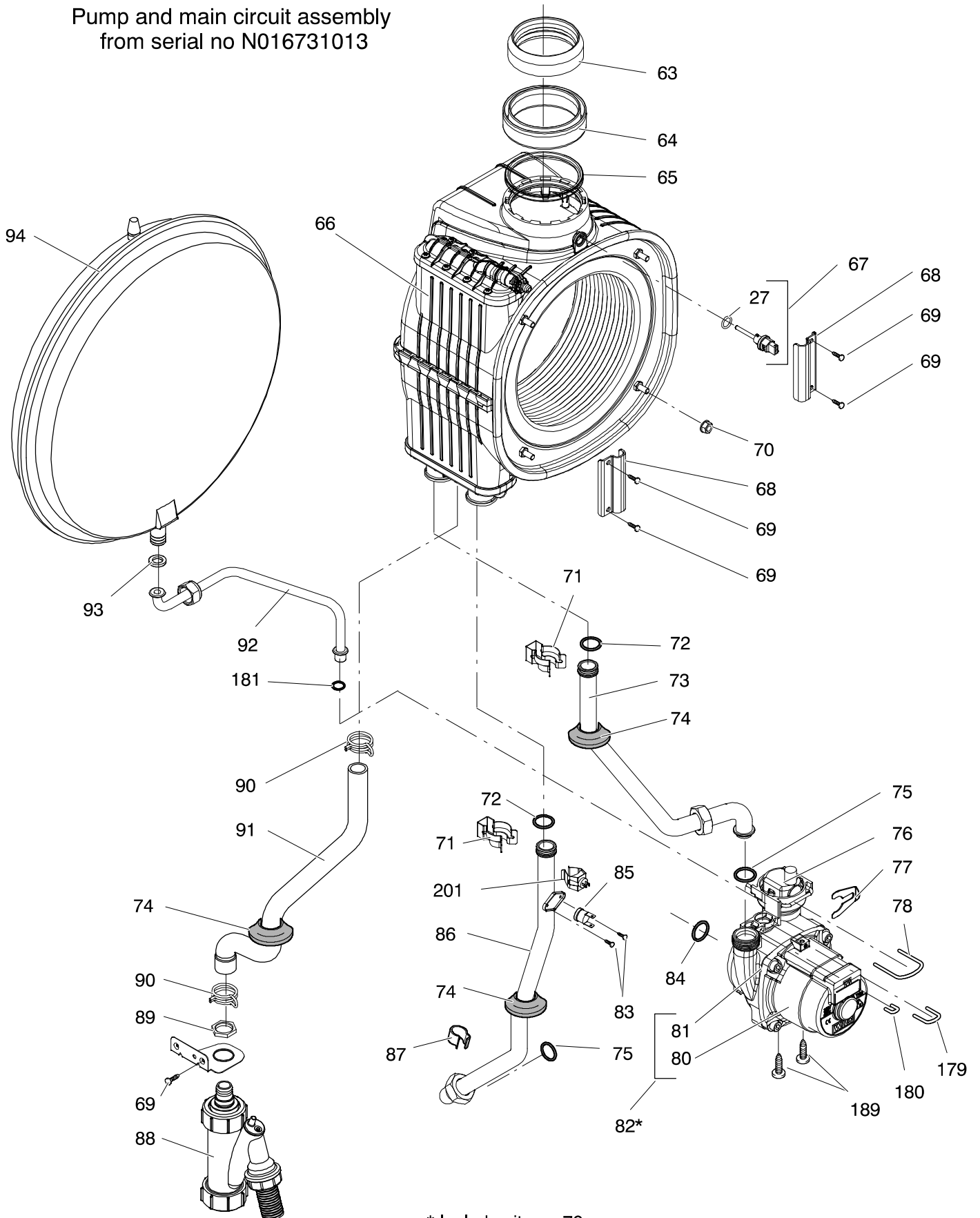




M110B.24SR/C

41-583-07

Pump and main circuit assembly  
from serial no N016731013

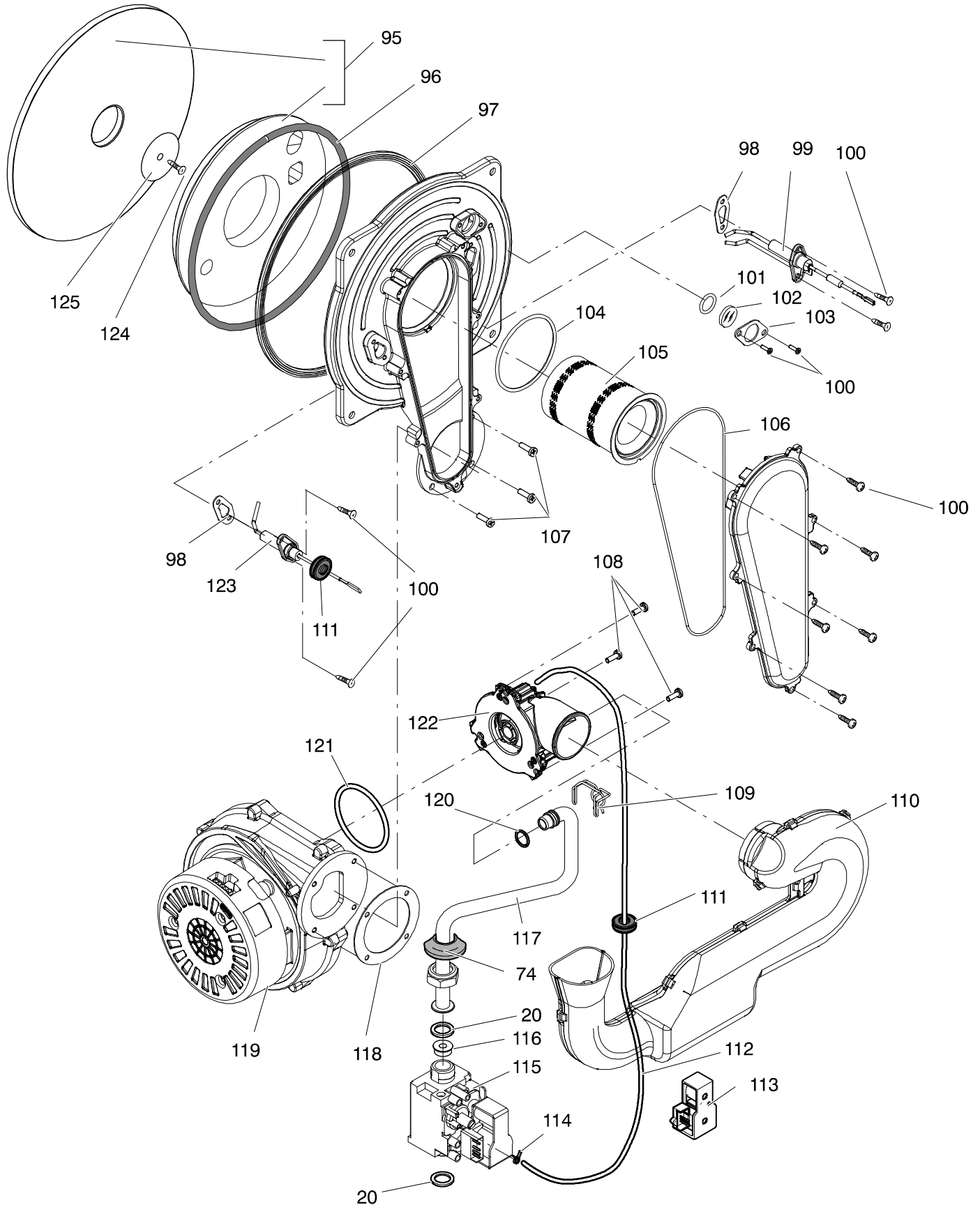


\* Includes items 78

M110B.24SR/C

41-583-07

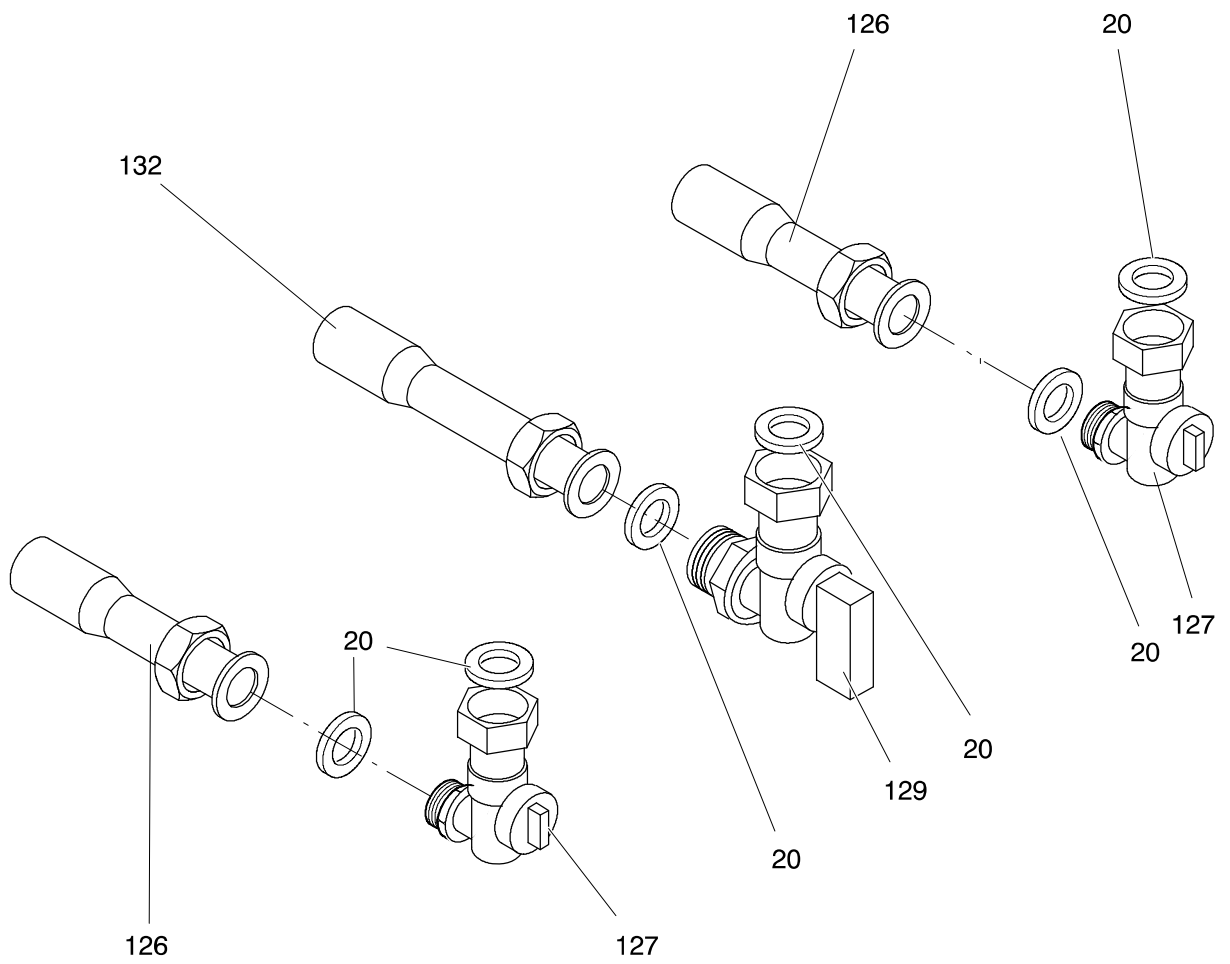
Gas assembly



M110B.24SR/C

41-583-07

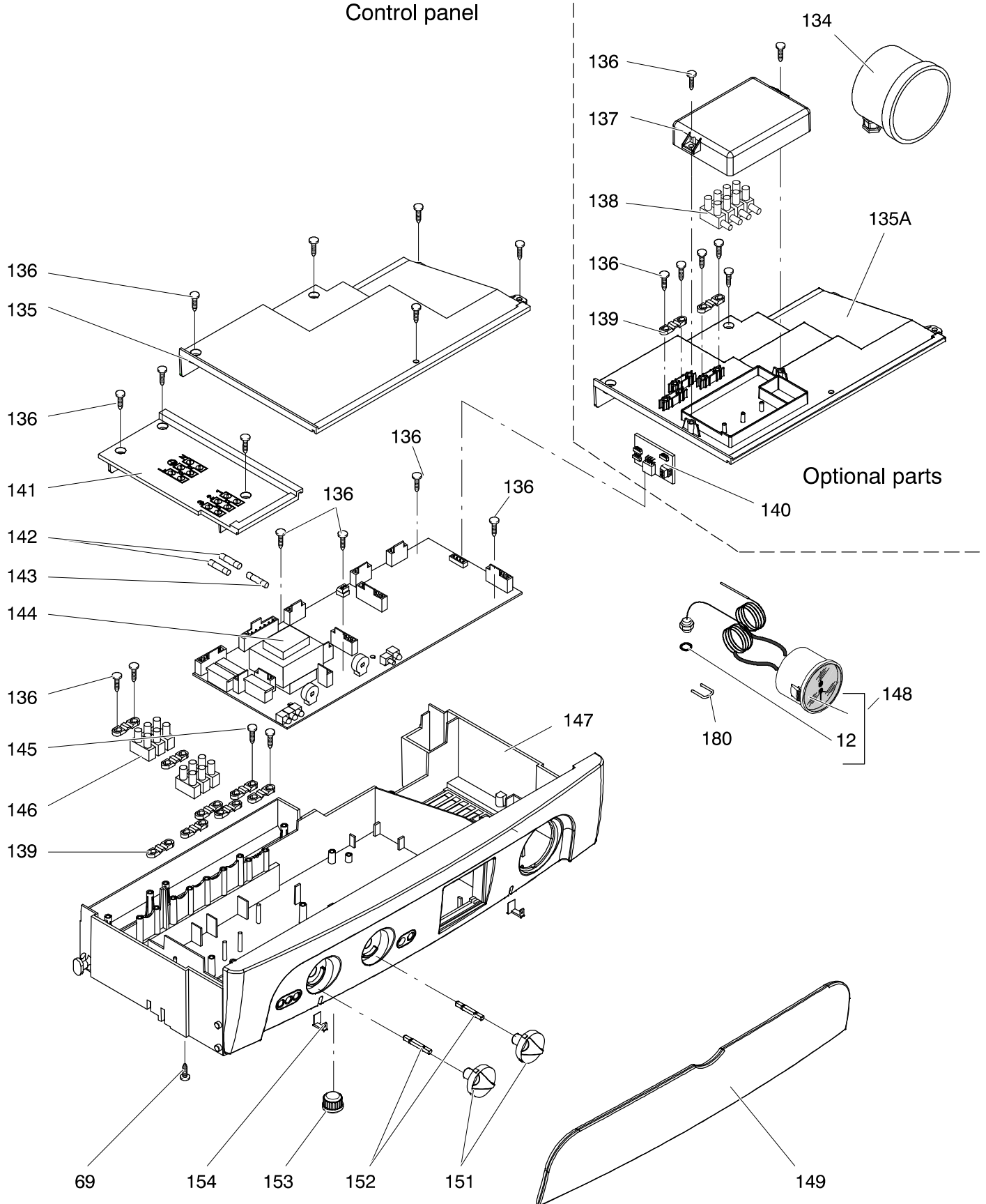
Valves and connection pipes



M110B.24SR/C

41-583-07

Control panel



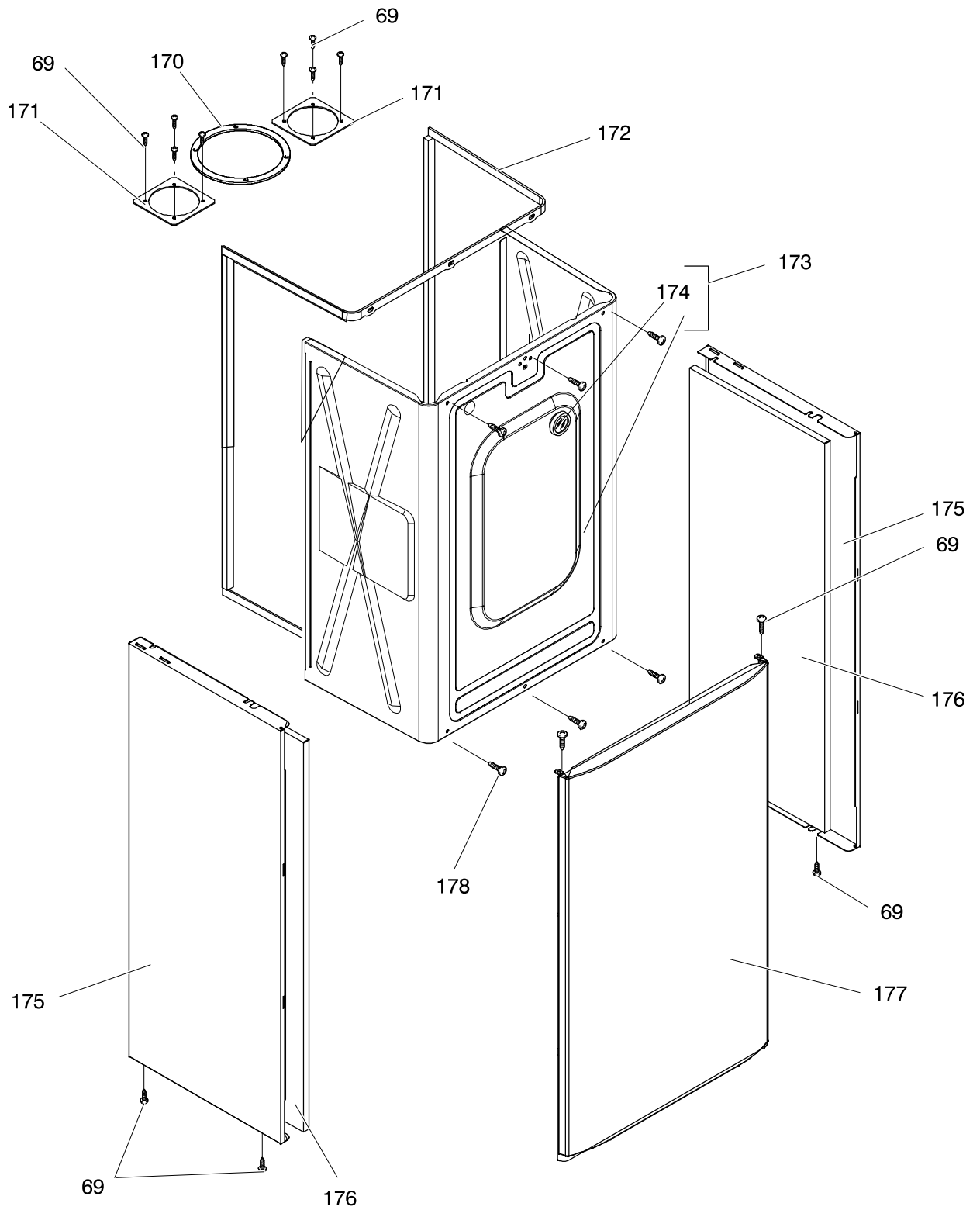




M110B.24SR/C

41-583-07

Sealed chamber and case panels



DRAFT BRITISH GAS PART LIST

Date \_\_\_\_\_  
 Sheet 1 of 8  
 Manufacturer Biasi SpA – Italy  
 Appliance(s) M110B.24SR/C,  
 GC Appliance Number(s) 41–583–07,  
 Contract Name \_\_\_\_\_  
 Telephone Number \_\_\_\_\_

(a)	(b)	(c)	(d)	(e)	(f)	(g)	(h)	(i)	(j)	(k)
Key no.	GC Part Number	Description	No. Off	Makers part number which have a CG number	Maker's old part number which have since been changed	Maker's new part number which DO NOT have a GC number	M B F	Original Supplier	Original Supplier part number	Retail price excl. VAT
		Position of data badge: inner side of left case panel								
		Instructions booklets set up to serial no N016721013	1			BI1913 508	M			
		Instructions booklets set from serial no N016731013	1			BI1913 533	M			
1	E83–013	Safety valve 3 bar	1	BI1131 100			B	Watts Intermes	3 bar	
2	E23–759	Safety valve connection	1	BI1001 127			M			
3	H05–158	Safety valve connection pipe	1	BI1131 106			M			
7	E00–669	Drainage valve	1	BI1011 104			B	Watts Intermes – Caldaro Italy	RSR8 1/4"	
12	E83–144	O–ring gasket 1,78 x 6,75	1	BI1475 119			M			
	H74–541	Threaded connection c.h. from serial no N016731013	1	BI1351 114			M			
20	169–033	Flat gasket 3/4"	8	BI1001 108			M			
21	E00–670	Screw M6x8 – BZP RPH	3	BI1001 123			F			
22	169–141	Gasket 1/2"	3	BI1001 106			M			
27	H50–475	O–ring gasket 1,78x10,82	3	BI1181 110			M			
28	H46–401	Return group kit	1	BI1171 105			M			
43	H63–681	By–pass pipe up to serial no N016721013	1	BI1171 106			M			
		By–pass pipe from serial no N016731013	1			BI1371 103	M			
47	E00–680	O–ring gasket 2,62x23,47	1	BI1011 107			M			
49	H27–556	Flow group kit	1	BI1171 103			M			
51	H23–733	O–ring gasket 1,78x9,25 (NTC)	2	KI1001 128			M			
52	164–026	Temperature probe (special)	2	BI1001 117			M			
53	E00–684	Microswitch kit	1	BI1011 505			M			
54	E00–683	Microswitch box fixing clip	1	BI1011 105			M			
55	E00–682	Screw 2,9x13 mm AB self tapping BZP – RCH	3	BI1011 108			F			
56	E00–681	Microswitch guide bush	1	BI1011 502			M			
57	E00–685	Screw M4x12 mm Stainless steel SCH	4	BI1011 109			F			



Sheet 2 of 8Appliance number(s) 41-583-07,

(a)	(b)	(c)	(d)	(e)	(f)	(g)	(h)	(i)	(j)	(k)
Key no.	GC Part Number	Description	No. Off	Makers part number which have a CG number	Maker's old part number which have since been changed	Maker's new part number which DO NOT have a GC number	M B F	Original Supplier	Original Supplier part number	Retail price excl. VAT
58	E00-686	Central heating pressure switch spring	1	Bl1011 110			M			
59	E00-687	Central heating pressure switch disk	1	Bl1011 111			M			
60	E00-688	Central heating pressure switch membrane	1	Bl1011 103			M			
61	E23-757	Toothed lock washer external 6,4 mm	1	Bl1001 124			F			
62	H20-966	By-pass kit up to serial no N016721013	1	Bl1141 505			M			
	H74-544	By-pass kit from serial no N016731013	1	Bl1351 117			M			
63	H21-045	Flue outlet gasket	1	Bl1406 112			M			
63 A	H74-575	Flue outlet gasket (replacement for discontinued Bl1406 112)	1	Bl1536 101			M			
64	H58-657	Flue outlet adaptor	1	Bl1432 103			M			
65	H58-658	Flue outlet lip gasket	1	Bl1432 104			M			
66	H58-659	Condensing heat exchanger	1	Bl1432 100			M			
67	H58-661	Flue temperature probe NTC	1	Bl1432 102			M			
68	H58-662	Condensing heat exchanger fixing clamps	2	Bl1432 105			M			
69	409-722	Tapping Screw ISO No8 B 4,2x9,5 Recessed Pan Head	14	Bl1013 110			F			
		Hardened Steel BS4174 Bright Zinc plate BS1706 Clear								
		Passivated								
70	H58-663	Flanged nut M6 Bright Zinc	4	Bl1282 109			F			
71	H58-664	Condensing heat exchanger connection clip	2	Bl1432 106			M			
72	H20-970	O-ring gasket 2,62x17,86	2	Bl1262 112			M			
73	H58-665	Condensing heat exchanger inlet pipe	1	Bl1432 107			M			
74	169-104	Grommet	4	Bl1002 113			M			
75	H20-981	O-ring gasket 2x17	1	Bl1262 114			M			
76	H20-986	Automatic air purger valve	1	Bl1212 107			M			
77	H20-987	Pump connection fork	1	Bl1262 116			M			

CONTINUATION SHEETSheet 3 of 8Appliance number(s) 41-583-07,

(a)	(b)	(c)	(d)	(e)	(f)	(g)	(h)	(i)	(j)	(k)
Key no.	GC Part Number	Description	No. Off	Makers part number which have a CG number	Maker's old part number which have since been changed	Maker's new part number which DO NOT have a GC number	M B F	Original Supplier	Original Supplier part number	Retail price excl. VAT
78	H20-990	Fork	1	Bl1262 120			M			
80	H20-994	Pump (motor) up to serial no N016721013	1	Bl1262 119			B			
		Pump (motor) from serial no N016731013	1			Bl1542 101	B			
81	E83-114	Pump gasket	1	Bl1172 113			M			
82	H20-993	Pump (complete) up to serial no N016721013	1	Bl1262 103			M	Wilo	NFSL12/6-1 HE CRF9-S 82W	
		Pump (complete) from serial no N016731013	1			Bl1552 100	M	Wilo	INTNFSL12/6HEP1 83W	
83	E23-759	Screw 2,9x4,5 Recessed Pan Head Hardened Steel	2	Bl1002 127			F			
		BS4174 Bright Zinc plate BS1706 Clear Passivated								
84	H20-945	O-ring gasket 17,04x4,00	2	Bl1212 112			M			
85	E83-101	Overheat thermostat	1	Bl1172 105			B	Elth	261 105°C	
86		Condensing heat exchanger outlet pipe	1			Bl1432 121	M			
		up to serial no N016721013								
		Condensing heat exchanger outlet pipe from serial no	1			Bl1432 122	M			
		N016731013								
87	169-045	Probe holder	1	Bl1105 108			M			
88	H20-989	Condensate trap	1	Bl1262 118			M			
89	169-142	Lock-nut	1	Kl1005 107			M			
90	H20-972	Connection spring	2	Bl1262 117			F			
91	H58-673	Condensate discharge pipe	1	Bl1432 109			M			
92	H20-997	Expansion vessel connection pipe	1	Bl1262 105			M			
93	H03-727	Flat gasket 3/8" O.D 15 mm, i.d. 8.5 mm	2	Bl1202 105			M			
94	E94-576	Expansion vessel	1	Bl1182 105			B	Zilmet	13C0000700	
95	H58-674	Combustion chamber insulating panels	1	Bl1293 106			M			
96	H58-676	Combustion chamber gasket	1	Bl1293 107			B			
97	H58-677	Combustion chamber lip gasket	1	Bl1293 108			M			

CONTINUATION SHEETSheet 4 of 8Appliance number(s) 41-583-07,

(a)	(b)	(c)	(d)	(e)	(f)	(g)	(h)	(i)	(j)	(k)
Key no.	GC Part Number	Description	No. Off	Makers part number which have a CG number	Maker's old part number which have since been changed	Maker's new part number which DO NOT have a GC number	M B F	Original Supplier	Original Supplier part number	Retail price excl. VAT
98	H58-678	Detection electrode gasket	2	Bl1293 109			M			
99	H58-680	Ignition electrodes	1	Bl1293 102			M			
100	H58-681	Screw M4x10 recessed pan head BZP clear passivated	13	Bl1293 110			F			
101	H58-683	O-ring gasket 2,62x15,88	1	Bl1293 111			M			
102	H58-684	Window (glass)	1	Bl1293 112			M			
103	H58-685	Window frame	1	Bl1293 113						
104	H58-687	Air-gas gasket	1	Bl1293 114			M			
105	H58-688	Burner	1	Bl1293 100			M			
106	H58-690	Air-gas gasket	1	Bl1293 115			M			
107	402-225	Machine Screw M5x10 Recessed Pan Head Mild steel	1	Bl1035 109			F			
		BS4183 Bright zinc plate BS3382 Clear Passivated								
108	402-126	Screw M4x12 recessed pan head BZP clear passivated	3	Kl1093 119			F			
109	H58-691	Gas pipe fixing fork	1	Bl1273 102			M			
110	H58-692	Air manifold	1	Bl1293 116			M			
111	169-125	Grommet	6	Bl1002 115			M			
112	H38-909	Siliconic rubber pipe	1	Bl1253 109			M			
113	H08-602	Gas valve on-off operator coils	1	Bl1093 107			B	Sit	0.967.158	
114	H38-937	Connection spring	1	Bl1253 116			F			
115	H58-694	Gas valve	1	Bl1293 104			B	SIT	848 Sigma	
116	H38-924	Gas restrictor NG (natural gas)	1	Bl1223 109			M			
116 A	H58-697	Gas restrictor Propane	1	Bl1293 500			M			
117	H58-699	Gas pipe	1	Bl1293 117			M			
118		Fan gasket	1			Bl1313 111	B			
119	H58-702	Fan	1	Bl1293 105			B	EBM Papst	RG128 24V 54W	
120	H58-703	O-ring gasket 2x13 NBR	1	Bl1273 104			M			

CONTINUATION SHEETSheet 5 of 8Appliance number(s) 41-583-07,

(a)	(b)	(c)	(d)	(e)	(f)	(g)	(h)	(i)	(j)	(k)
Key no.	GC Part Number	Description	No. Off	Makers part number which have a CG number	Maker's old part number which have since been changed	Maker's new part number which DO NOT have a GC number	M B F	Original Supplier	Original Supplier part number	Retail price excl. VAT
121	H38-956	O-ring gasket 3,53x61,91 NBR	1	Bl1253 114			B			
122	H58-705	Air-box assembly	1	Bl1273 100			M			
123	H58-709	Detection electrode	1	Bl1293 103			M			
124	H58-710	Screw M4x8 Hexagon Socket Countersunk Stainless Steel	1	Bl1253 113			F			
125	H38-971	Insulating panel holder	1	Bl1253 101			M			
126	H21-025	C.h. connection pipe	2	Bl1124 100			M			
127	E83-136	Tap 3/4" - c.h.	2	Bl1084 105			B			
129	E83-138	Tap 3/4" - gas	1	Bl1084 100			B			
132	H21-025	Pipe 22 mm dia gas	1	Bl1124 100			M			
		(replacement for discontinued Bl1014 112)								
134	H39-016	External temperature probe	1	Bl1665 107			M			
135	E83-156	Control panel cover	1	Bl1475 112			M			
135 A	H21-038	Control panel cover	1	Bl1605 101			M			
136	409-736	Tapping screw 3,5x9,5 recessed pan head	13	Bl1013 115			F			
137	H21-039	External controls cover	1	Bl1605 102			M			
138	H32-597	Remote controls terminal connection block	1	Bl1665 102			B	Odoardo Korner	OK-403-NY-SP-LP	
139	E83-152	Cable holder	8	Kl1066 208			B	Fastpoint S.r.l.	1207.BB01 XS	
140	H38-978	Remote control p.c.b.	1	Bl1665 103			M			
141	E83-155	Service panel cover	1	Bl1475 111			M			
142	H44-170	Fuse 3,15A F	2	Bl1295 108			B			
143	H58-716	Fuse 400 mA T	1	Bl1665 104			B			
144	H58-717	Electronic control - ignition p.c.b.	1	Bl1955 100			M			
		up to serial no N016721013								
		Electronic control - ignition p.c.b.	1			Bl1955 118	M			
		from serial no N016731013								

CONTINUATION SHEETSheet 6 of 8Appliance number(s) 41-583-07,

(a)	(b)	(c)	(d)	(e)	(f)	(g)	(h)	(i)	(j)	(k)
Key no.	GC Part Number	Description	No. Off	Makers part number which have a CG number	Maker's old part number which have since been changed	Maker's new part number which DO NOT have a GC number	M B F	Original Supplier	Original Supplier part number	Retail price excl. VAT
145	409-727	Screw 3,5x16 mm self tap RPH	7	Bl1165 101			F			
146	E83-153	Terminal block	2	Bl1475 109			B	Elettrogibi	PA27	
								Odoardo Korner (alternative)	OK-433-FV	
147		Control panel box	1			Bl1715 104	M			
148	E83-145	Temperature-pressure gauge	1	Bl1475 108			M			
149	H32-562	Cover panel	1	Bl1605 108			M			
151	H27-577	Knob	2	Bl1605 106			M			
152	E83-149	Shaft	2	Bl1475 105			M			
153	E83-150	Control panel plug	1	Bl1475 110			M			
154	H27-578	Hinge plugs	2	Bl1605 107			M			
155	H58-719	Fan /temperature probes / safety thermostat cable	1	Bl1965 100			M			
		up to serial no N016721013								
		Fan /temperature probes / safety thermostat cable	1			Bl1965 121	M			
		from serial no N016731013								
156	H39-022	Transformer	1	Bl1665 100			M			
157	H39-027	Transformer cable	1	Bl1675 101			M			
159	H58-721	Gas valve cable	1	Bl1965 102			M			
160		Pump up to serial no N016721013	1			Bl1965 111	M			
		Pump from serial no N016731013	1			Bl1965 124	M			
162	H39-035	Remote contrls wiring	1	Bl1675 104			M			
163	H39-041	Power supply and external control cable	1	Bl1675 112			M			
164	H50-295	Earth cable up to serial no N016721013	1	Bl1895 107			M			
	H74-572	Earth cable from serial no N016731013	1	Bl1765 121			M			
165	H39-024	Detection electrode cable	1	Bl1675 111			M			
166	H39-048	Spark generator cable	1	Bl1675 110			M			

CONTINUATION SHEETSheet 7 of 8Appliance number(s) 41-583-07,

(a)	(b)	(c)	(d)	(e)	(f)	(g)	(h)	(i)	(j)	(k)
Key no.	GC Part Number	Description	No. Off	Makers part number which have a CG number	Maker's old part number which have since been changed	Maker's new part number which DO NOT have a GC number	M B F	Original Supplier	Original Supplier part number	Retail price excl. VAT
167	405-122	Washer 4,3x9 mm zinc plated	2	KI1093 118			F			
168	H39-052	Spark Generator	1	BI1805 102			B			
169	H39-055	Ignition electrode earth cable	1	BI1223 114			M			
170	169-110	Flue pipe gasket	1	BI1016 104			M			
171	E01-184	Gasket - Air intake twin kit	2	BI1016 101			M			
172	H21-060	Sealed chamber gaskets kit	1	BI1406 500			M			
173	H58-725	Sealed chamber incl. window	1	BI1526 100			M			
174	E69-243	Window (glass + rubber frame)	1	BI1206 118			M			
175	H21-052	Side case panel	2	BI1406 106			M			
176	H39-074	Case insulating panel	2	BI1426 109			M			
177	H39-075	Front case panel	1	BI1416 107			M			
178	409-747	Screw 4,8x13 mm AB self tapping RPH BZP	6	BI1336 114			F			
179	169-015	Fork	1	KI1042 101			M			
180	169-040	Fork	1	KI1042 115			M			
181	H20-996	O-ring gasket 2,62X9,92	1	BI1262 113			M			
183	H74-542	Fork P26	1	BI1351 115			M			
185	H74-529	O-ring gasket 2,62x15,54	1	BI1351 102			M			
188	H74-531	Fork P21,6	1	BI1351 104			M			
193	H74-530	Flow group kit d.h.w. plug	1	BI1351 103			M			
195		Flow group kit c.h.	1			BI1491 100	M			
196	H74-539	Fork P11	2	BI1351 112			M			
197	H74-540	O-ring gasket 1,90x8,90	1	BI1351 113			M			
198	H74-545	Primary circuit pressure switch	1	BI1351 118			M			
199	H74-530	Flow group kit c.h. plug	1	BI1351 103			M			
200		Flow group kit plug	1			BI1371 105	M			

