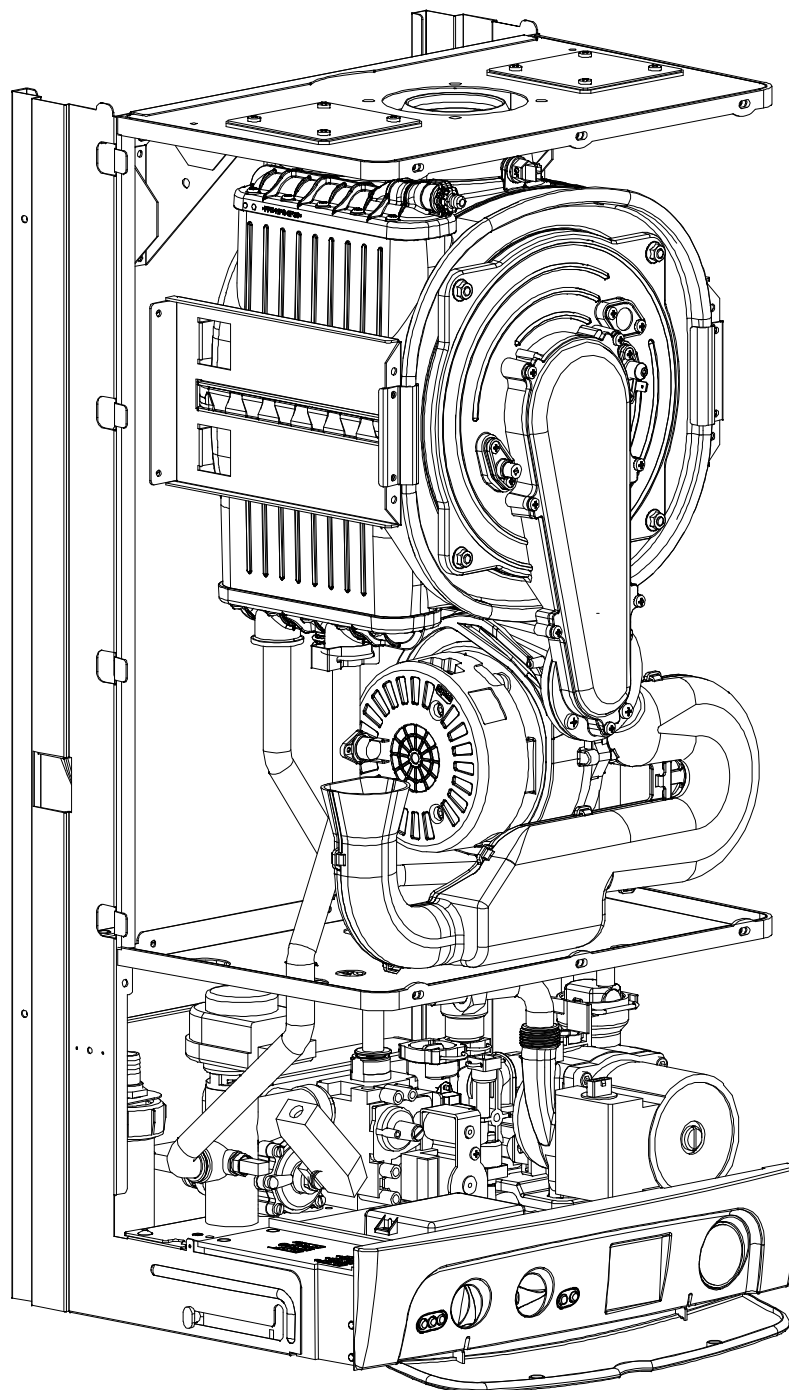


M110B.24SM/C
M110B.32SM/C

47-583-11
47-583-12

Overall view

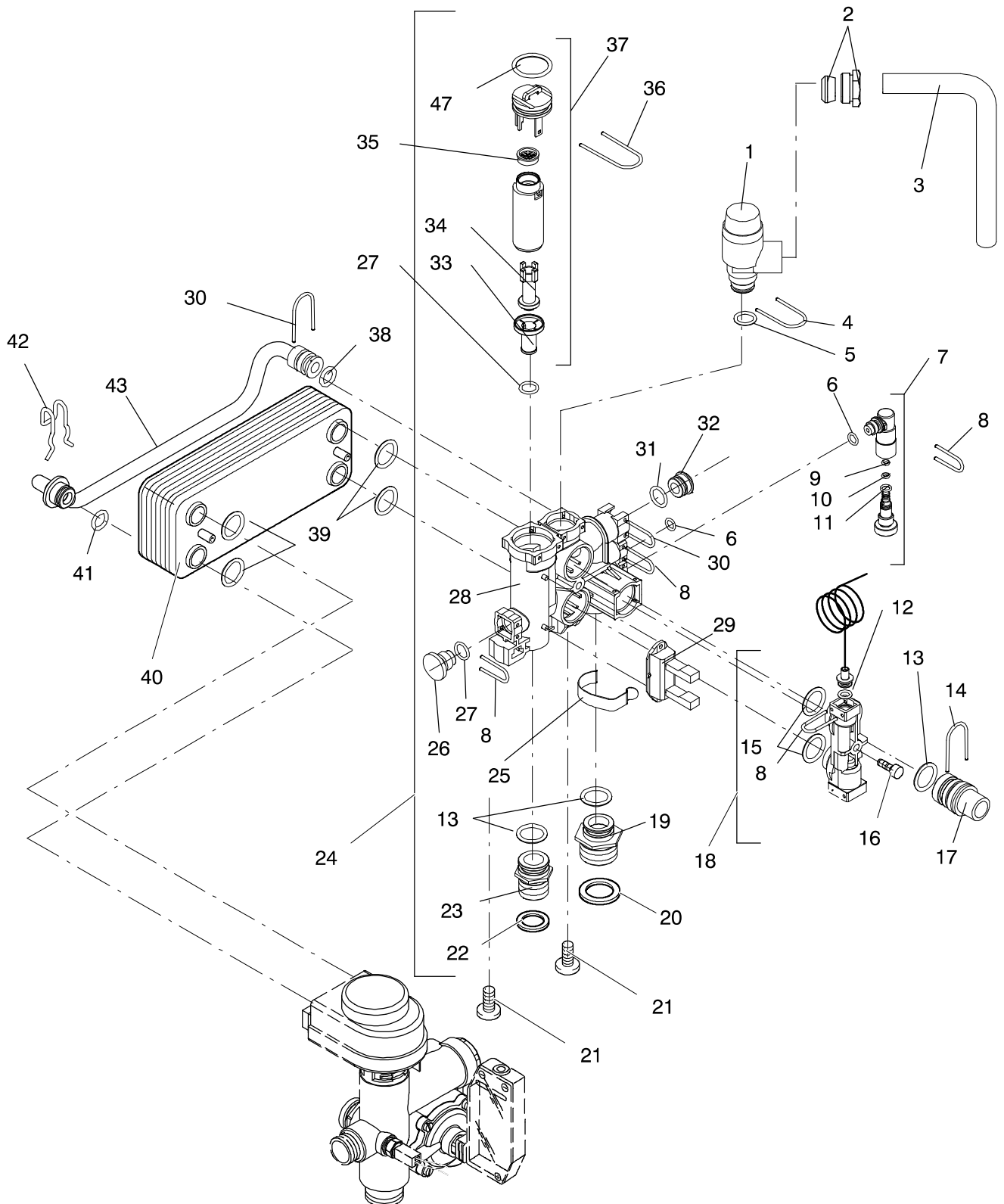
DATA BADGE: inner side of left case panel



M110B.24SM/C
M110B.32SM/C

47-583-11
47-583-12

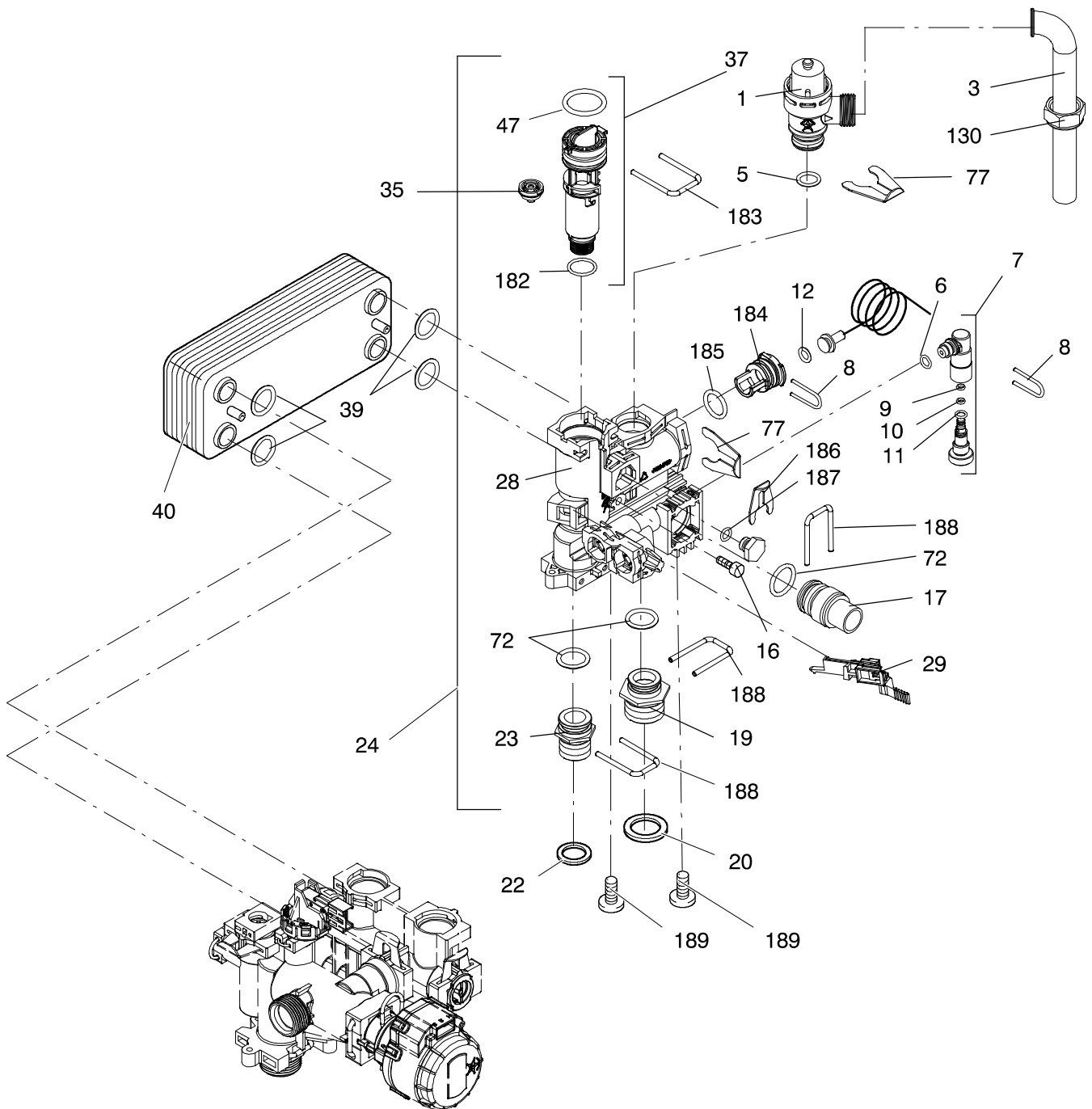
C.h. return group and d.h.w. heat exchanger up to serial no N016721013



M110B.24SM/C
M110B.32SM/C

47-583-11
47-583-12

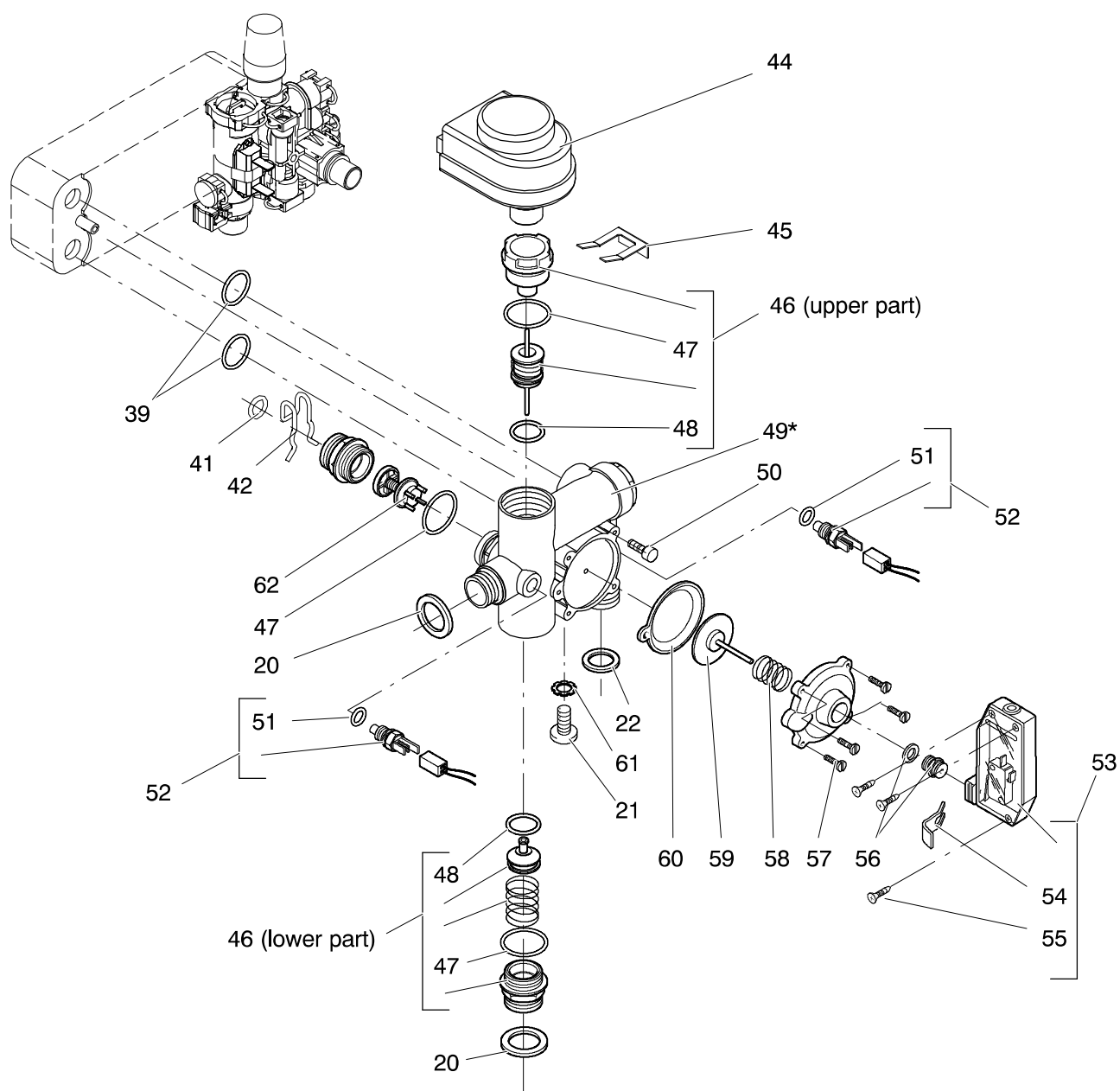
C.h. return group and d.h.w. heat exchanger from serial no N016731013



M110B.24SM/C
M110B.32SM/C

47-583-11
47-583-12

C.h. flow group and three way diverter valve up to serial no N016721013

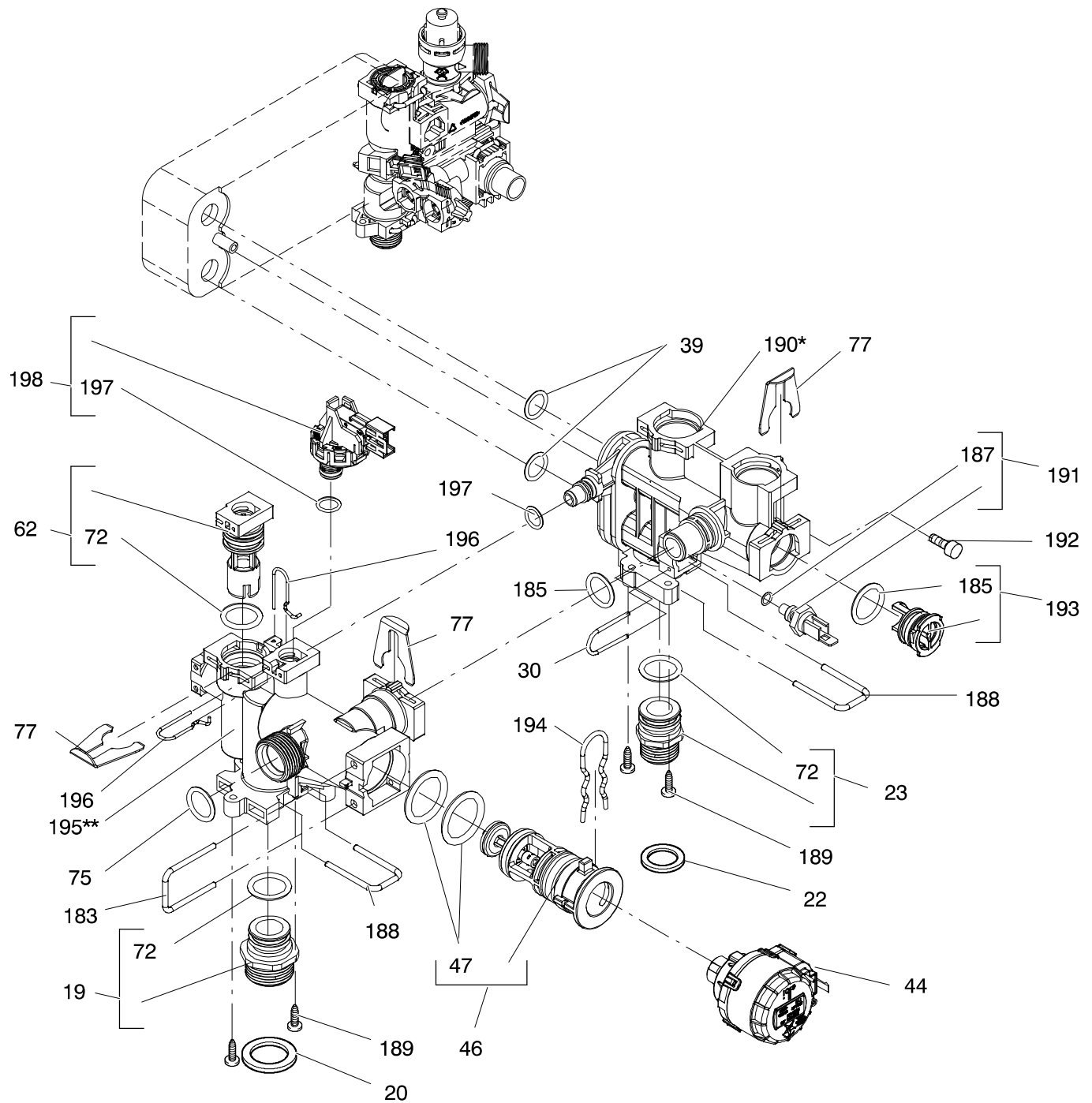


* Includes items 46, 47, 48, 56, 57, 58, 59, 60, 62

M110B.24SM/C
M110B.32SM/C

47-583-11
47-583-12

C.h. flow group and three way diverter valve from serial no N016731013



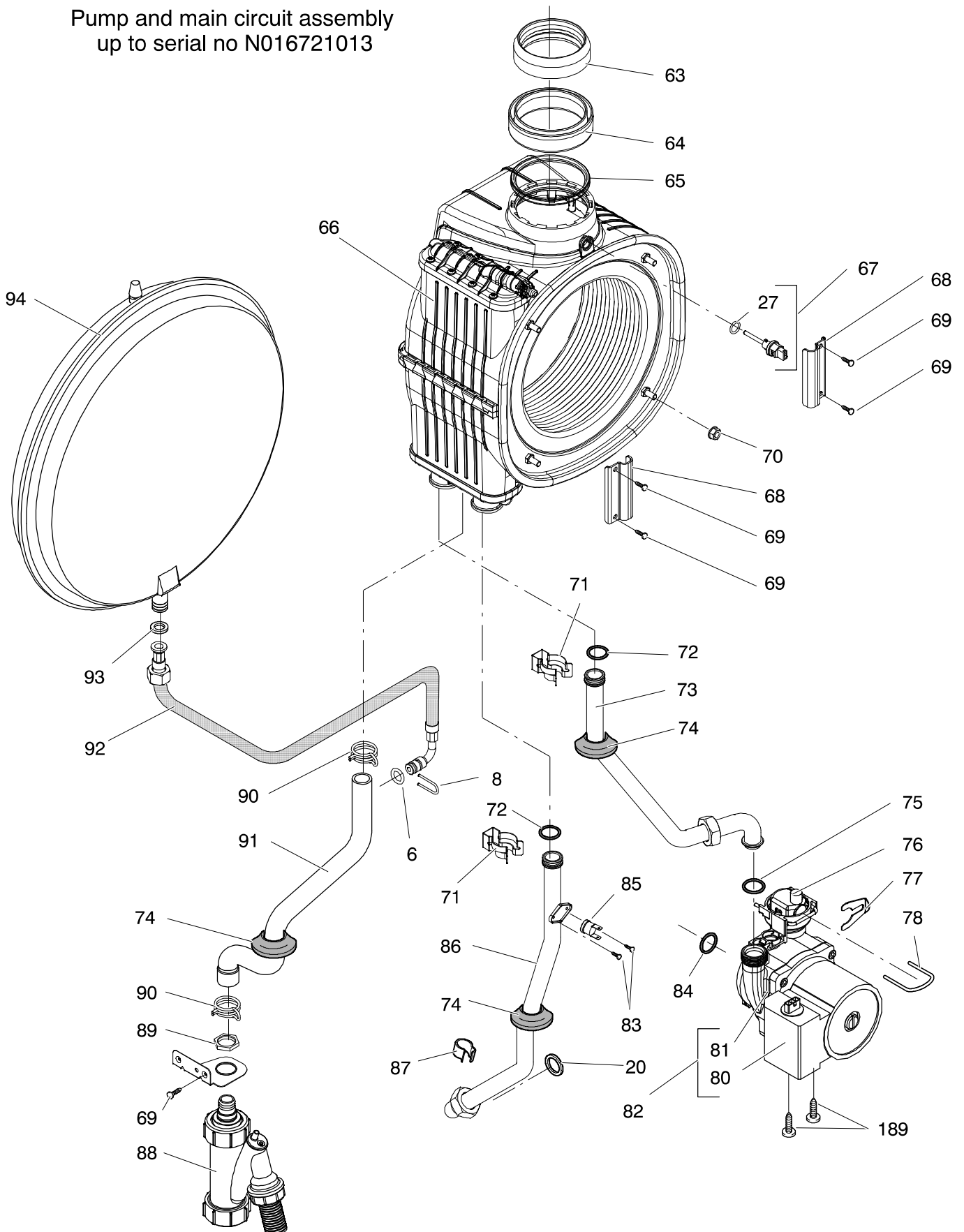
* Includes items 39, 187, 185, 72, 197

** Includes items 75, 38, 185, 72, 47, 197

M110B.24SM/C
M110B.32SM/C

47-583-11
47-583-12

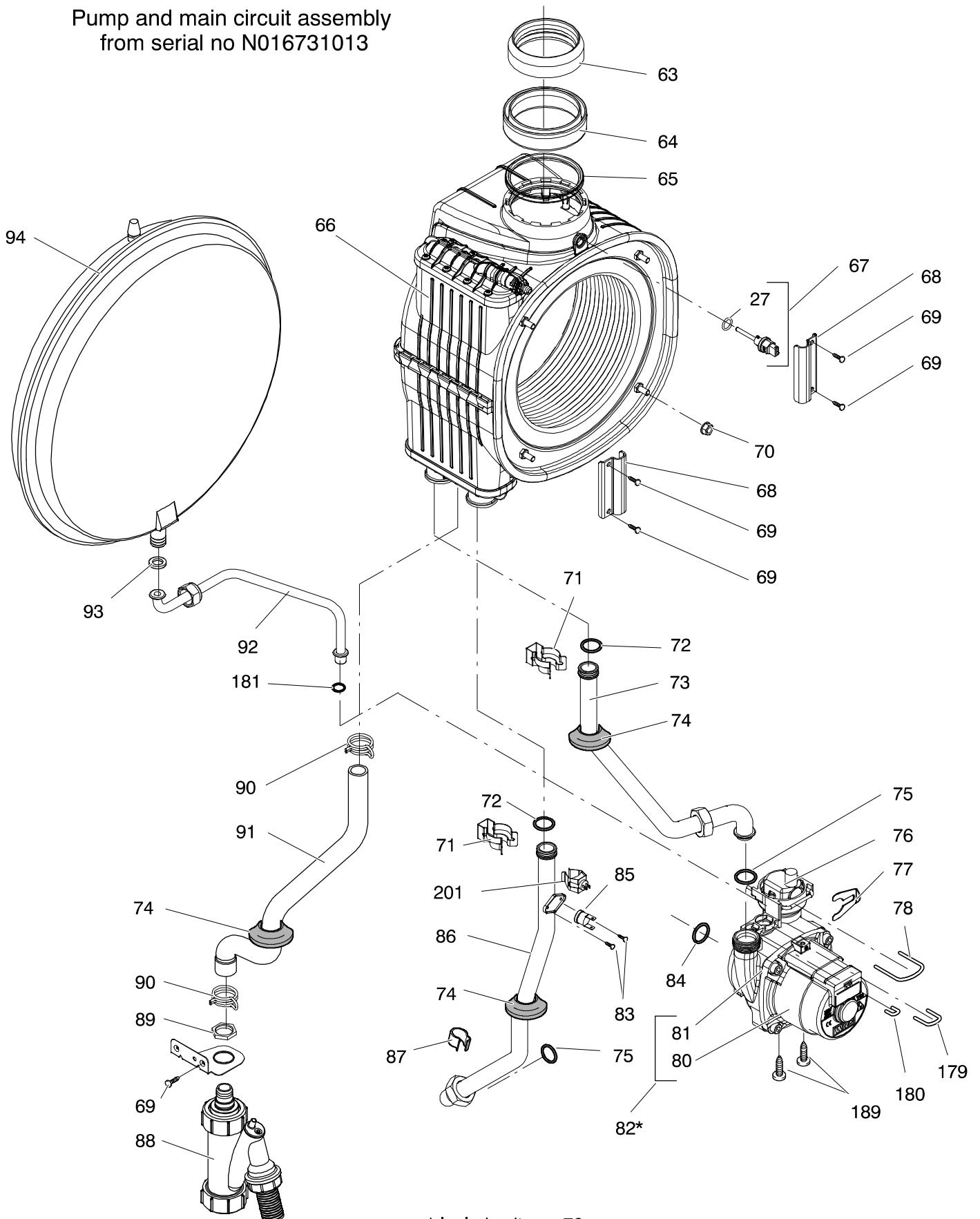
Pump and main circuit assembly
up to serial no N016721013



M110B.24SM/C
M110B.32SM/C

47-583-11
47-583-12

Pump and main circuit assembly
from serial no N016731013

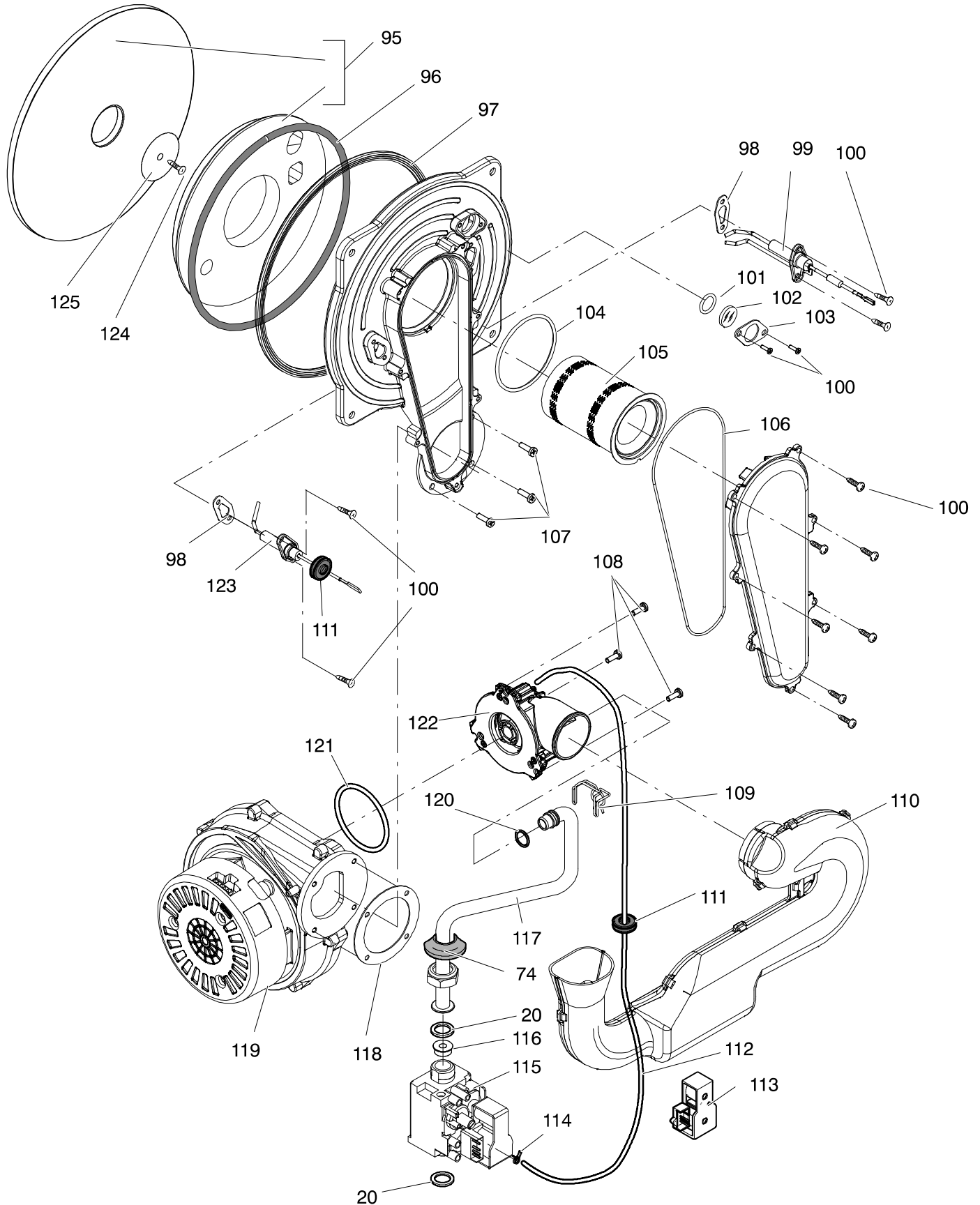


* Includes items 78

M110B.24SM/C
M110B.32SM/C

47-583-11
47-583-12

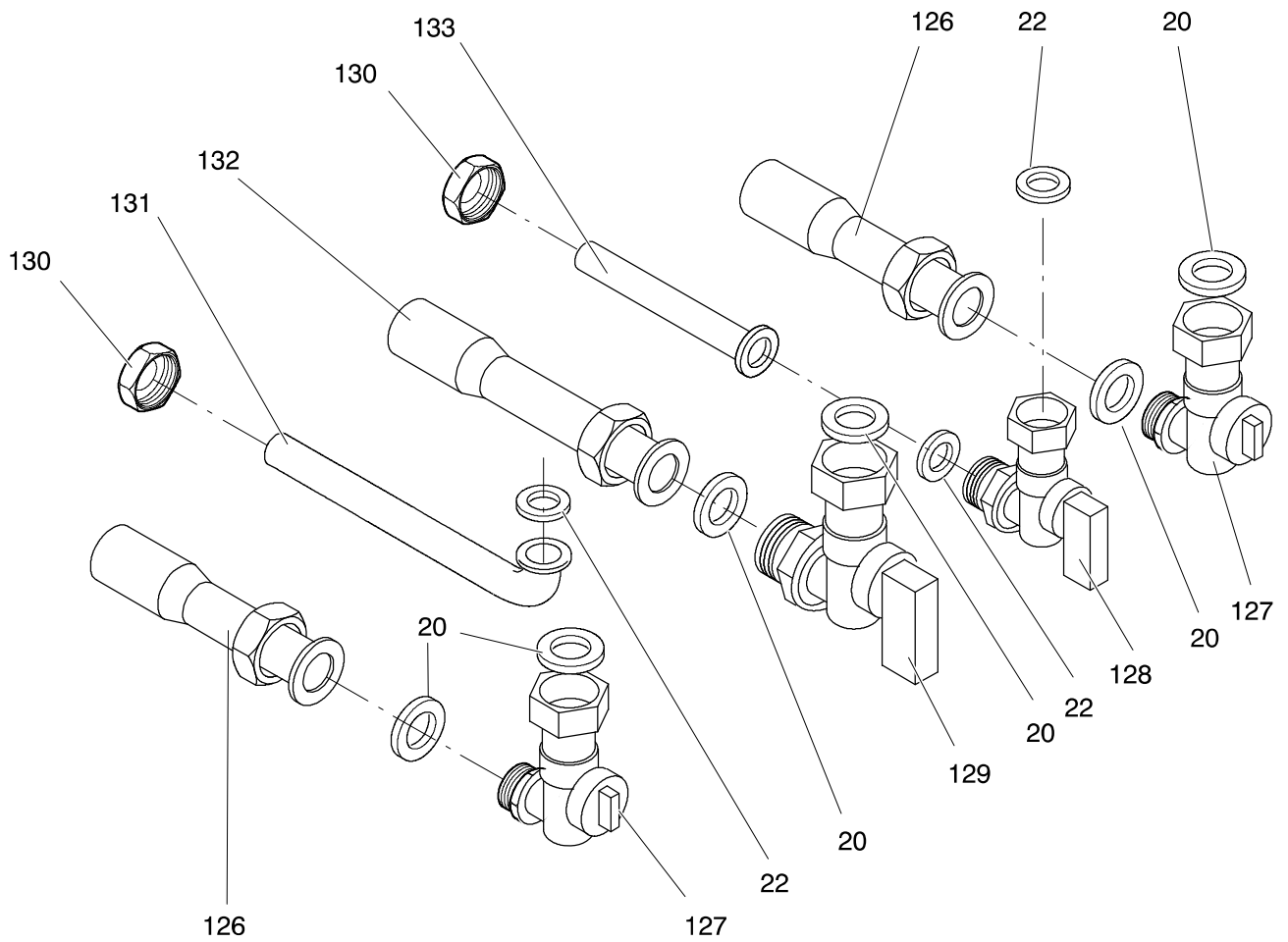
Gas assembly



M110B.24SM/C
M110B.32SM/C

47-583-11
47-583-12

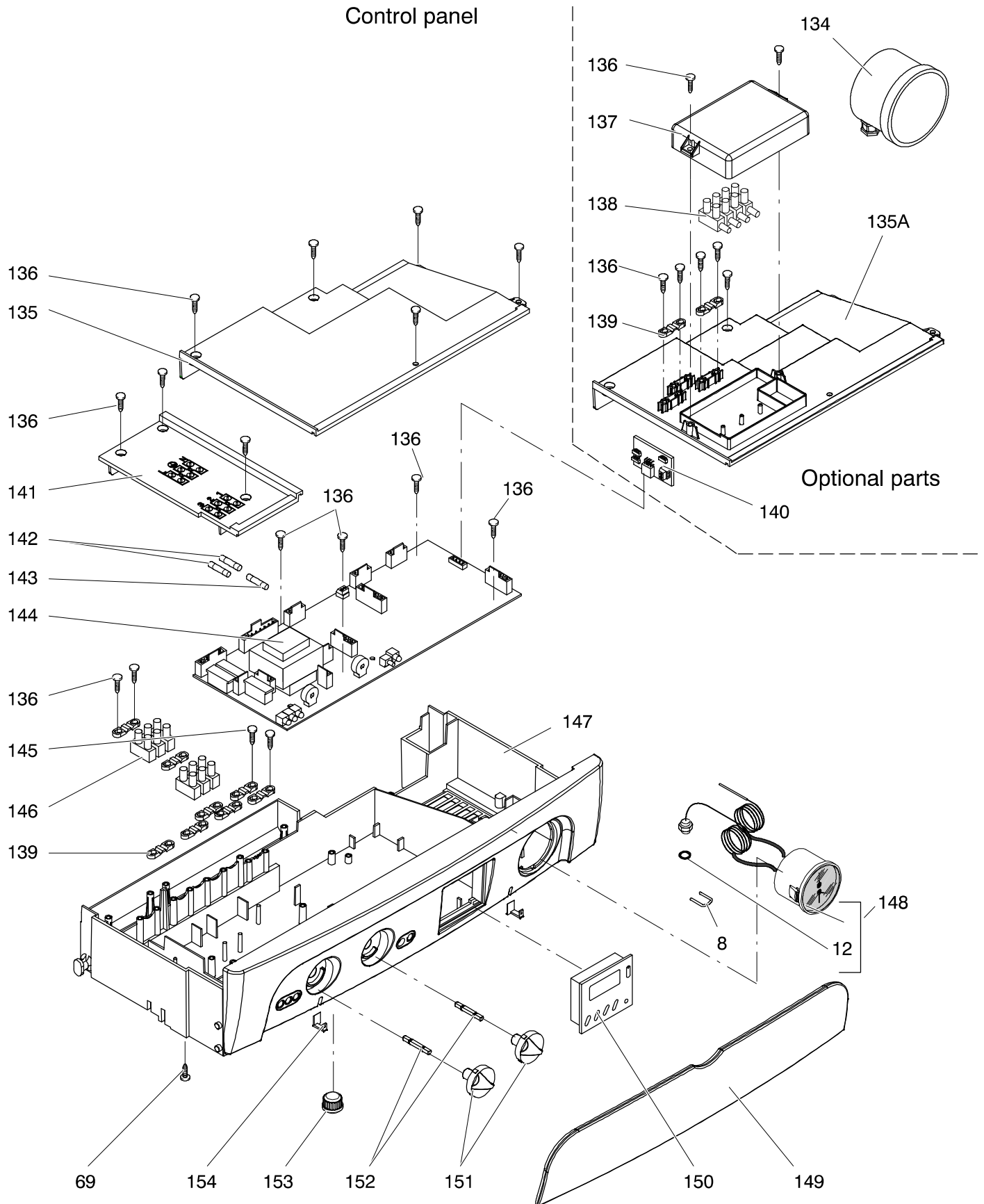
Valves and connection pipes



M110B.24SM/C
M110B.32SM/C

47-583-11
47-583-12

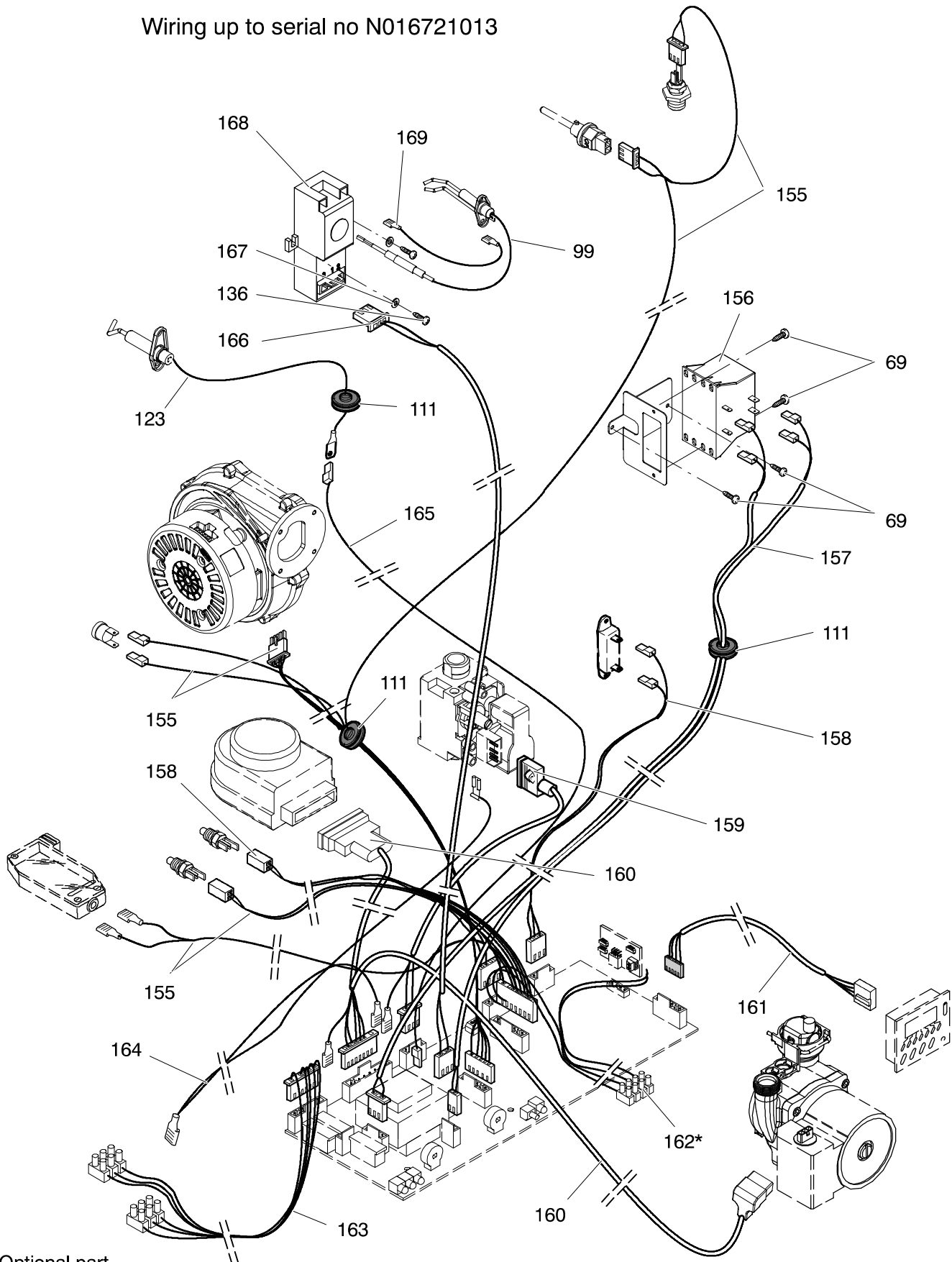
Control panel



M110B.24SM/C
M110B.32SM/C

47-583-11
47-583-12

Wiring up to serial no N016721013

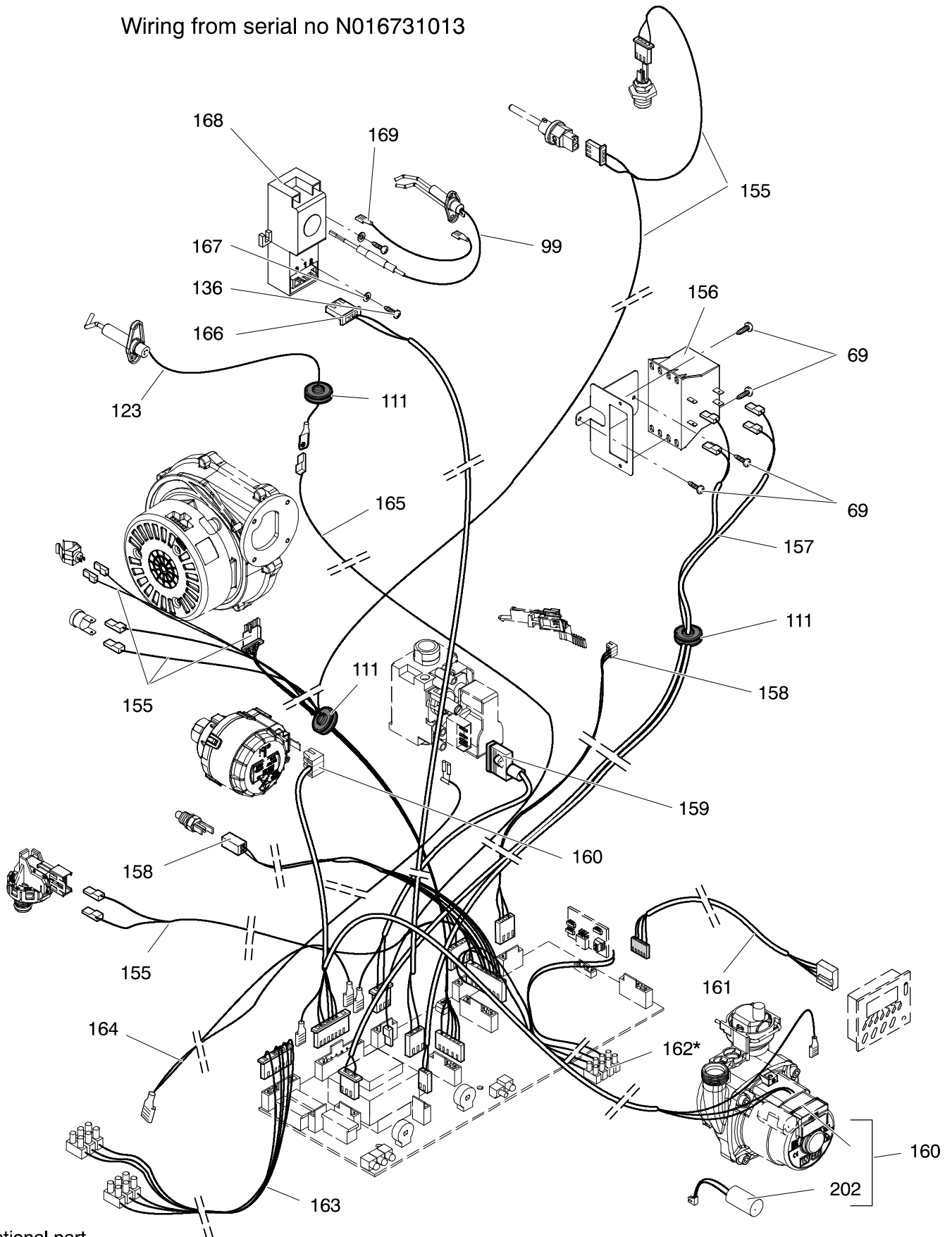


* Optional part

M110B.24SM/C
M110B.32SM/C

47-583-11
47-583-12

Wiring from serial no N016731013

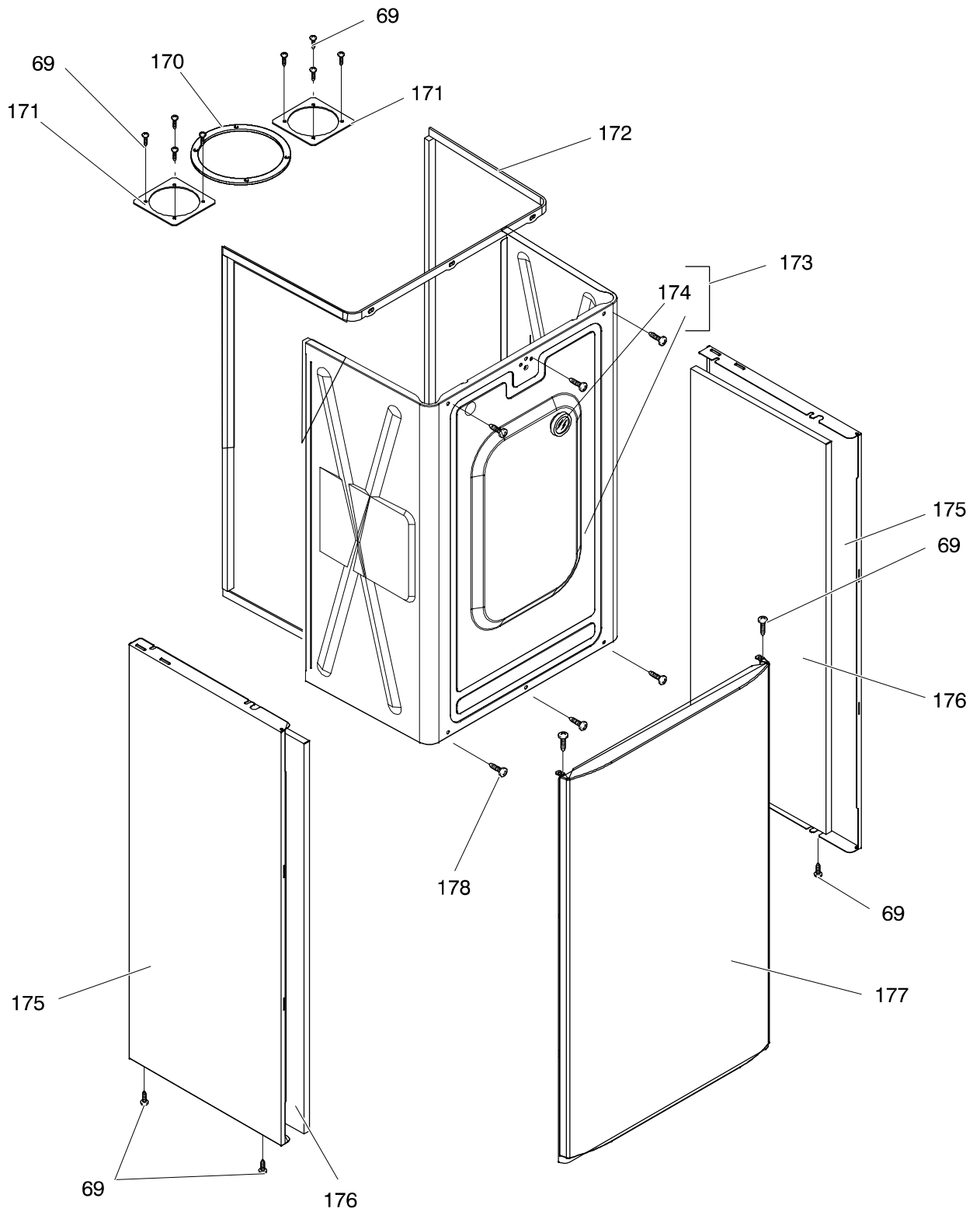


* Optional part

M110B.24SM/C
M110B.32SM/C

47-583-11
47-583-12

Sealed chamber and case panels



DRAFT BRITISH GAS PART LIST

Date _____

Sheet 1 of 11Manufacturer Biasi SpA – ItalyAppliance(s) M110B.24SM/C, M110B.32SM/CGC Appliance Number(s) 47–583–11, 47–583–12

Contract Name _____

Telephone Number _____

(a)	(b)	(c)	(d)	(e)	(f)	(g)	(h)	(i)	(j)	(k)
Key no.	GC Part Number	Description	No. Off	Makers part number which have a CG number	Maker's old part number which have since been changed	Maker's new part number which DO NOT have a GC number	M B F	Original Supplier	Original Supplier part number	Retail price excl. VAT
		Position of data badge: inner side of left case panel								
		Instructions booklets set up to serial no N016721013	1			BI1913 508	M			
		Instructions booklets set from serial no N016731013	1			BI1913 533	M			
1	H50–189	Safety valve 3 bar up to serial no N016721013	1	BI1181 100			B	Watts Intermes	3 bar	
		Safety valve 3 bar from serial no N016731013	1			BI1441 101	B	Watts Intermes	3 bar	
2	E23–759	Safety valve connection	1	BI1001 127			M			
3	H05–158	Safety valve connection pipe up to serial no N016721013	1	BI1131 106			M			
		Safety valve connection pipe from serial no N016731013	1			BI1441 100	M			
4	H50–480	Fork P.18,5	1	BI1181 101			M			
5	H50–481	O–ring gasket 2,62x15,08 up to serial no N016721013	1	BI1181 102			M			
		O–ring gasket 2,62x15,88 from serial no N016731013	1			KI1042 110	M			
6	H50–484	O–ring gasket 1,78x7,66	2	BI1182 108			M			
7	H50–398	Drainage valve	1	BI1181 501			M			
8	H50–473	Fork P.10,5	4	BI1181 107			M			
9	169–050	O–ring gasket 1,78x2,9	1	KI1043 145			M			
10	H50–488	O–ring gasket 1,78x3,69	1	BI1181 120			M			
11	169–014	O–ring gasket 1,78x6,07	1	KI1002 119			M			
12	E83–144	O–ring gasket 1,78 x 6,75	1	BI1475 119			M			
13	H50–467	O–ring gasket 2,62x17,13	3	BI1181 112			M			
14	169–026	Fork P.20,5	1	KI1031 101			M			
15	H50–483	O–ring gasket 2,62x18,72	2	BI1181 108			M			
16	H58–648	Screw M5x55 – Hexagon socket cap up to serial no N016721013	1	BI1301 105			M			
	402–941	Screw M5x55 – Hexagon socket cap from serial no N016731013	1	KI1217 115			M			

Sheet 2 of 11

Appliance number(s) 47-583-11, 47-583-12

(a)	(b)	(c)	(d)	(e)	(f)	(g)	(h)	(i)	(j)	(k)
Key no.	GC Part Number	Description	No. Off	Makers part number which have a CG number	Maker's old part number which have since been changed	Maker's new part number which DO NOT have a GC number	M B F	Original Supplier	Original Supplier part number	Retail price excl. VAT
17	H50-487	Pump connection up to serial no N016721013	1	Bl1301 102			M			
		Pump connection from serial no N016731013	1			Bl1441 102	M			
18	H50-491	Filling group kit	1	Bl1181 507			M			
19	H50-470	Threaded connection c.h. up to serial no N016721013	1	Bl1181 114			M			
	H74-541	Threaded connection c.h. from serial no N016731013	1	Bl1351 114			M			
20	169-033	Flat gasket 3/4"	8	Bl1001 108			M			
21	E00-670	Screw M6x8 - BZP RPH	3	Bl1001 123			F			
22	169-141	Gasket 1/2"	3	Bl1001 106			M			
23	H50-468	Threaded connection d.h.w. up to serial no N016721013	1	Bl1181 115			M			
	H74-533	Threaded connection d.h.w. from serial no N016731013	1	Bl1351 106			M			
24	H50-492	Return group kit	1	Bl1301 501			M			
		Return group kit from serial no N016731013	1			Bl1441 500	M			
25	H50-471	Reed fixing clip	1	Bl1181 116			M			
26	H50-478	Return proup plug	1	Bl1181 117			M			
27	H50-475	O-ring gasket 1,78x10,82	3	Bl1181 110			M			
28	H50-399	Return group up to serial no N016721013	1	Bl1301 100			M			
		Return group from serial no N016731013	1			Bl1441 103	M			
29	169-010	D.h.w. flow switch up to serial no N016721013	1	Kl1042 107			M			
		D.h.w. flow switch from serial no N016731013	1			Bl1441 104	M			
30	169-015	Fork P.14	2	Kl1042 101			M			
31	E00-668	O-ring gasket 1,78x12,42	1	Bl1001 115			M			
32	H50-482	Return proup plug	1	Bl1181 104			M			
33	H50-490	Filter	1	Bl1181 106			M			
34	169-008	Float	1	Kl1042 106			M			
35	H58-649	Flow limiter 10 Litres/min up to serial no N016721013	1	Bl1301 103			M			

Sheet 3 of 11

Appliance number(s) 47-583-11, 47-583-12

(a)	(b)	(c)	(d)	(e)	(f)	(g)	(h)	(i)	(j)	(k)
Key no.	GC Part Number	Description	No. Off	Makers part number which have a CG number	Maker's old part number which have since been changed	Maker's new part number which DO NOT have a GC number	M B F	Original Supplier	Original Supplier part number	Retail price excl. VAT
		Flow limiter 10 Litres/min from serial no N016731013	1			BI1441 106	M			
36	H50-479	Fork P.20	1	BI1181 103			M			
37	H50-400	Magnetic flow switch and filter kit	1	BI1181 500			M			
		up to serial no N016721013								
		Magnetic flow switch and filter kit	1			BI1441 501	M			
		from serial no N016731013								
38	164-036	O-ring gasket 2,62x10,78	1	KI1002 121			M			
39	169-060	O-ring gasket 18,64x3,53	4	KI1043 144			M			
40	E01-205	Exchanger DHW - M110B.24SM/C	1	BI1001 102			M			
		up to serial no N016721013								
	H22-543	Exchanger DHW - M110B.24SM/C	1	BI1181 122			M			
		from serial no N016731013								
40 A	H05-161	Exchanger DHW - M110B.32SM/C	1	BI1161 100			M			
		up to serial no N016721013								
	E01-205	Exchanger DHW - M110B.32SM/C	1	BI1001 102			M			
		from serial no N016731013								
41	E00-668	O-ring gasket 1,78x12,42 by-pass pipe	2	BI1001 115			M			
42	E00-672	By-pass pipe fixing fork	1	BI1001 111			M			
43	H58-651	By-pass pipe	1	BI1301 104			M			
44	E83-086	Diverter valve actuator up to serial no N016721013	1	BI1101 102			B	Elbi International SpA Collegno italy	1650/6/0	
		Diverter valve actuator from serial no N016731013	1			BI1431 100	M			
45	E83-090	Diverter valve actuator fixing spring	1	BI1101 101			M			
46	E83-091	Diverter valve kit up to serial no N016721013	1	BI1141 501			M			
		Diverter valve kit from serial no N016731013	1			BI1491 101	M			
47	E00-680	O-ring gasket 2,62x23,47	4	BI1011 107			M			

CONTINUATION SHEETSheet 4 of 11Appliance number(s) 47-583-11, 47-583-12

(a)	(b)	(c)	(d)	(e)	(f)	(g)	(h)	(i)	(j)	(k)
Key no.	GC Part Number	Description	No. Off	Makers part number which have a CG number	Maker's old part number which have since been changed	Maker's new part number which DO NOT have a GC number	M B F	Original Supplier	Original Supplier part number	Retail price excl. VAT
48	E83-092	O-ring gasket 2,7x13,6	2	Bl1011 117			M			
49	H32-555	Flow group kit	1	Bl1251 501			M			
50	H44-143	Screw M5x25 - Hexagon socket cap	2	Bl1131 107			F			
51	H23-733	O-ring gasket 1,78x9,25 (NTC)	2	Kl1001 128			M			
52	164-026	Temperature probe (special)	2	Bl1001 117			M			
53	E00-684	Microswitch kit	1	Bl1011 505			M			
54	E00-683	Microswitch box fixing clip	1	Bl1011 105			M			
55	E00-682	Screw 2,9x13 mm AB self tapping BZP - RCH	3	Bl1011 108			F			
56	E00-681	Microswitch guide bush	1	Bl1011 502			M			
57	E00-685	Screw M4x12 mm Stainless steel SCH	4	Bl1011 109			F			
58	E00-686	Central heating pressure switch spring	1	Bl1011 110			M			
59	E00-687	Central heating pressure switch disk	1	Bl1011 111			M			
60	E00-688	Central heating pressure switch membrane	1	Bl1011 103			M			
61	E23-757	Toothed lock washer external 6,4 mm	1	Bl1001 124			F			
62	H20-966	By-pass kit up to serial no N016721013	1	Bl1141 505			M			
	H74-544	By-pass kit from serial no N016731013	1	Bl1351 117			M			
63	H21-045	Flue outlet gasket	1	Bl1406 112			M			
63 A	H74-575	Flue outlet gasket (replacement for discontinued Bl1406 112)	1	Bl1536 101			M			
64	H58-657	Flue outlet adaptor	1	Bl1432 103			M			
65	H58-658	Flue outlet lip gasket	1	Bl1432 104			M			
66	H58-659	Condensing heat exchanger M110B.24SM/C	1	Bl1432 100			M			
66 A	H58-660	Condensing heat exchanger M110B.32SM/C	1	Bl1432 101			M			
67	H58-661	Flue temperature probe NTC	1	Bl1432 102			M			
68	H58-662	Condensing heat exchanger fixing clamps	2	Bl1432 105			M			

CONTINUATION SHEETSheet 5 of 11Appliance number(s) 47-583-11, 47-583-12

(a)	(b)	(c)	(d)	(e)	(f)	(g)	(h)	(i)	(j)	(k)
Key no.	GC Part Number	Description	No. Off	Makers part number which have a CG number	Maker's old part number which have since been changed	Maker's new part number which DO NOT have a GC number	M B F	Original Supplier	Original Supplier part number	Retail price excl. VAT
69	409-722	Tapping Screw ISO No8 B 4,2x9,5 Recessed Pan Head	14	Bl1013 110			F			
		Hardened Steel BS4174 Bright Zinc plate BS1706 Clear								
		Passivated								
70	H58-663	Flanged nut M6 Bright Zinc	4	Bl1282 109			F			
71	H58-664	Condensing heat exchanger connection clip	2	Bl1432 106			M			
72	H20-970	O-ring gasket 2,62x17.86	2	Bl1262 112			M			
73	H58-665	Condensing heat exchanger inlet pipe	1	Bl1432 107			M			
74	169-104	Grommet	4	Bl1002 113			M			
75	H20-981	O-ring gasket 2x17	1	Bl1262 114			M			
76	H20-986	Automatic air purger valve	1	Bl1212 107			M			
77	H20-987	Pump connection fork	1	Bl1262 116			M			
78	H20-990	Fork	1	Bl1262 120			M			
80	H20-994	Pump (motor) up to serial no N016721013	1	Bl1262 119			B			
		Pump (motor) from serial no N016731013	1			Bl1542 101	B			
81	E83-114	Pump gasket	1	Bl1172 113			M			
82	H58-670	Pump (complete) up to serial no N016721013	1	Bl1911 103			M	Wilo	NFSL12/6HEP1 CRF9UK 82W	
		Pump (complete) from serial no N016731013	1			Bl1552 100	M	Wilo	INTNFSL12/6HEP1 83W	
83	E23-759	Screw 2,9x4,5 Recessed Pan Head Hardened Steel	2	Bl1002 127			F			
		BS4174 Bright Zinc plate BS1706 Clear Passivated								
84	H20-945	O-ring gasket 17,04x4,00	2	Bl1212 112			M			
85	E83-101	Overheat thermostat	1	Bl1172 105			B	Elth	261 105°C	
86	H58-672	Condensing heat exchanger outlet pipe	1	Bl1432 108			M			
		up to serial no N016721013								
		Condensing heat exchanger outlet pipe from serial no	1			Bl1432 122	M			
		N016731013								

CONTINUATION SHEETSheet 6 of 11Appliance number(s) 47-583-11, 47-583-12

(a)	(b)	(c)	(d)	(e)	(f)	(g)	(h)	(i)	(j)	(k)
Key no.	GC Part Number	Description	No. Off	Makers part number which have a CG number	Maker's old part number which have since been changed	Maker's new part number which DO NOT have a GC number	M B F	Original Supplier	Original Supplier part number	Retail price excl. VAT
87	169-045	Probe holder	1	Bl1105 108			M			
88	H20-989	Condensate trap	1	Bl1262 118			M			
89	169-142	Lock-nut	1	Kl1005 107			M			
90	H20-972	Connection spring	2	Bl1262 117			F			
91	H58-673	Condensate discharge pipe	1	Bl1432 109			M			
92	H50-811	Expansion vessel connection pipe up to serial no N016721013	1	Bl1212 111			M			
		Expansion vessel connection pipe from serial no N016731013	1			Bl1562 115	M			
93	H03-727	Flat gasket 3/8" O.D 15 mm, i.d. 8.5 mm	2	Bl1202 105			M			
94	E94-576	Expansion vessel	1	Bl1182 105			B	Zilmet	13C0000700	
95	H58-674	Combustion chamber insulating panels	1	Bl1293 106			M			
96	H58-676	Combustion chamber gasket	1	Bl1293 107			B			
97	H58-677	Combustion chamber lip gasket	1	Bl1293 108			M			
98	H58-678	Detection electrode gasket	2	Bl1293 109			M			
99	H58-680	Ignition electrodes	1	Bl1293 102			M			
100	H58-681	Screw M4x10 recessed pan head BZP clear passivated	13	Bl1293 110			F			
101	H58-683	O-ring gasket 2,62x15,88	1	Bl1293 111			M			
102	H58-684	Window (glass)	1	Bl1293 112			M			
103	H58-685	Window frame	1	Bl1293 113						
104	H58-687	Air-gas gasket	1	Bl1293 114			M			
105	H58-688	Burner M110B.24SM/C	1	Bl1293 100			M			
105 A	H58-689	Burner M110B.32SM/C	1	Bl1293 101			M			
106	H58-690	Air-gas gasket	1	Bl1293 115			M			

CONTINUATION SHEETSheet 7 of 11Appliance number(s) 47-583-11, 47-583-12

(a)	(b)	(c)	(d)	(e)	(f)	(g)	(h)	(i)	(j)	(k)
Key no.	GC Part Number	Description	No. Off	Makers part number which have a CG number	Maker's old part number which have since been changed	Maker's new part number which DO NOT have a GC number	M B F	Original Supplier	Original Supplier part number	Retail price excl. VAT
107	402-225	Machine Screw M5x10 Recessed Pan Head Mild steel	1	Bl1035 109			F			
		BS4183 Bright zinc plate BS3382 Clear Passivated								
108	402-126	Screw M4x12 recessed pan head BZP clear passivated	3	Kl1093 119			F			
109	H58-691	Gas pipe fixing fork	1	Bl1273 102			M			
110	H58-692	Air manifold	1	Bl1293 116			M			
111	169-125	Grommet	6	Bl1002 115			M			
112	H38-909	Siliconic rubber pipe	1	Bl1253 109			M			
113	H08-602	Gas valve on-off operator coils	1	Bl1093 107			B	Sit	0.967.158	
114	H38-937	Connection spring	1	Bl1253 116			F			
115	H58-694	Gas valve	1	Bl1293 104			B	SIT	848 Sigma	
116	H38-924	Gas restrictor M110B.24SM/C NG (natural gas)	1	Bl1223 109			M			
116 A	H58-697	Gas restrictor M110B.24SM/C Propane	1	Bl1293 500			M			
116 B	H38-926	Gas restrictor M110B.32SM/C NG (natural gas)	1	Bl1253 108			M			
116 C	H58-698	Gas restrictor M110B.32SM/C Propane	1	Bl1293 501			M			
117	H58-699	Gas pipe M110B.24SM/C	1	Bl1293 117			M			
117 A	H58-700	Gas pipe M110B.32SM/C	1	Bl1293 118			M			
118		Fan gasket	1			Bl1313 111	B			
119	H58-702	Fan	1	Bl1293 105			B	EBM Papst	RG128 24V 54W	
120	H58-703	O-ring gasket 2x13 NBR	1	Bl1273 104			M			
121	H38-956	O-ring gasket 3,53x61,91 NBR	1	Bl1253 114			B			
122	H58-705	Air-box assembly M110B.24SM/C	1	Bl1273 100			M			
122 A	H58-707	Air-box assembly M110B.32SM/C	1	Bl1273 101			M			
123	H58-709	Detection electrode	1	Bl1293 103			M			
124	H58-710	Screw M4x8 Hexagon Socket Countersunk Stainless Steel	1	Bl1253 113			F			
125	H38-971	Insulating panel holder	1	Bl1253 101			M			

CONTINUATION SHEETSheet 8 of 11Appliance number(s) 47-583-11, 47-583-12

(a)	(b)	(c)	(d)	(e)	(f)	(g)	(h)	(i)	(j)	(k)
Key no.	GC Part Number	Description	No. Off	Makers part number which have a CG number	Maker's old part number which have since been changed	Maker's new part number which DO NOT have a GC number	M B F	Original Supplier	Original Supplier part number	Retail price excl. VAT
126	H21-025	C.h. connection pipe	2	Bl1124 100			M			
127	E83-136	Tap 3/4" - c.h.	2	Bl1084 105			B			
128	E83-137	Tap 1/2" - d.h.w.	1	Bl1084 101			B			
129	E83-138	Tap 3/4" - gas	1	Bl1084 100			B			
130	E01-226	Nut 1/2"	2	Bl1004 101			M			
131	H21-027	Pipe 15 mm dia (bent) d.h.w.	1	Bl1124 102			M			
132	H21-025	Pipe 22 mm dia gas (replacement for discontinued Bl1014 112)	1	Bl1124 100			M			
133	H21-030	Pipe 15 mm dia (straight) d.h.w.	1	Bl1124 103			M			
134	H39-016	External temperature probe	1	Bl1665 107			M			
135	E83-156	Control panel cover	1	Bl1475 112			M			
135 A	H21-038	Control panel cover	1	Bl1605 101			M			
136	409-736	Tapping screw 3,5x9,5 recessed pan head	13	Bl1013 115			F			
137	H21-039	External controls cover	1	Bl1605 102			M			
138	H32-597	Remote controls terminal connection block	1	Bl1665 102			B	Odoardo Korner	OK-403-NY-SP-LP	
139	E83-152	Cable holder	8	Kl1066 208			B	Fastpoint S.r.l.	1207.BB01 XS	
140	H38-978	Remote control p.c.b.	1	Bl1665 103			M			
141	E83-155	Service panel cover	1	Bl1475 111			M			
142	H44-170	Fuse 3,15A F	2	Bl1295 108			B			
143	H58-716	Fuse 400 mA T	1	Bl1665 104			B			
144	H58-717	Electronic control - ignition p.c.b. M110B.24SM/C up to serial no N016721013	1	Bl1955 100			M			
		Electronic control - ignition p.c.b. M110B.24SM/C from serial no N016731013	1			Bl1955 118	M			

CONTINUATION SHEETSheet 9 of 11Appliance number(s) 47-583-11, 47-583-12

(a)	(b)	(c)	(d)	(e)	(f)	(g)	(h)	(i)	(j)	(k)
Key no.	GC Part Number	Description	No. Off	Makers part number which have a CG number	Maker's old part number which have since been changed	Maker's new part number which DO NOT have a GC number	M B F	Original Supplier	Original Supplier part number	Retail price excl. VAT
144	A H58-718	Electronic control – ignition p.c.b. M110B.32SM/C up to serial no N016721013	1	BI1955 101			M			
		Electronic control – ignition p.c.b. M110B.32SM/C from serial no N016731013	1			BI1955 119	M			
145	409-727	Screw 3,5x16 mm self tap RPH	7	BI1165 101			F			
146	E83-153	Terminal block	2	BI1475 109			B	Elettrogibi Odoardo Korner (alternative)	PA27 OK-433-FV	
147	H38-981	Control panel box	1	BI1805 100			M			
148	E83-145	Temperature–pressure gauge	1	BI1475 108			M			
149	H32-562	Cover panel	1	BI1605 108			M			
150	E83-147	Time switch	1	BI1475 118			B	Flash	Monotron 200	
151	H27-577	Knob	2	BI1605 106			M			
152	E83-149	Shaft	2	BI1475 105			M			
153	E83-150	Control panel plug	1	BI1475 110			M			
154	H27-578	Hinge plugs	2	BI1605 107			M			
155	H58-719	Fan /temperature probes / safety thermostat cable up to serial no N016721013	1	BI1965 100			M			
		Fan /temperature probes / safety thermostat cable from serial no N016731013	1			BI1965 121	M			
156	H39-022	Transformer	1	BI1665 100			M			
157	H39-027	Transformer cable	1	BI1675 101			M			
158	H58-720	D.h.w. flow switch cable up to serial no N016721013 D.h.w. flow switch cable from serial no N016731013	1 1	BI1965 101		BI1965 122	M M			
159	H58-721	Gas valve cable	1	BI1965 102			M			
160	H39-037	Pump – diverter valve cable up to serial no N016721013	1	BI1675 105			M			

CONTINUATION SHEETSheet 10 of 11Appliance number(s) 47-583-11, 47-583-12

(a)	(b)	(c)	(d)	(e)	(f)	(g)	(h)	(i)	(j)	(k)
Key no.	GC Part Number	Description	No. Off	Makers part number which have a CG number	Maker's old part number which have since been changed	Maker's new part number which DO NOT have a GC number	M B F	Original Supplier	Original Supplier part number	Retail price excl. VAT
		Pump – diverter valve cable from serial no N016731013	1			BI1965 123	M			
161	E83-163	Time switch cable	1	BI1485 111			M			
162	H39-035	Remote contrls wiring	1	BI1675 104			M			
163	H39-041	Power supply and external control cable	1	BI1675 112			M			
164	H50-295	Earth cable up to serial no N016721013	1	BI1895 107			M			
	H74-572	Earth cable from serial no N016731013	1	BI1765 121			M			
165	H39-024	Detection electrode cable	1	BI1675 111			M			
166	H39-048	Spark generator cable	1	BI1675 110			M			
167	405-122	Washer 4,3x9 mm zinc plated	2	KI1093 118			F			
168	H39-052	Spark Generator	1	BI1805 102			B			
169	H39-055	Ignition electrode earth cable	1	BI1223 114			M			
170	169-110	Flue pipe gasket	1	BI1016 104			M			
171	E01-184	Gasket – Air intake twin kit	2	BI1016 101			M			
172	H21-060	Sealed chamber gaskets kit	1	BI1406 500			M			
173	H58-725	Sealed chamber incl. window	1	BI1526 100			M			
174	E69-243	Window (glass + rubber frame)	1	BI1206 118			M			
175	H21-052	Side case panel	2	BI1406 106			M			
176	H39-074	Case insulating panel	2	BI1426 109			M			
177	H39-075	Front case panel	1	BI1416 107			M			
178	409-747	Screw 4,8x13 mm AB self tapping RPH BZP	6	BI1336 114			F			
179	169-015	Fork	1	KI1042 101			M			
180	169-040	Fork	1	KI1042 115			M			
181	H20-996	O-ring gasket 2,62X9,92	1	BI1262 113			M			
182		O-ring gasket 1,78x15,60	1			BI1441 105	M			
183	H74-542	Fork P26	1	BI1351 115			M			

CONTINUATION SHEETSheet 11 of 11Appliance number(s) 47-583-11, 47-583-12

(a)	(b)	(c)	(d)	(e)	(f)	(g)	(h)	(i)	(j)	(k)
Key no.	GC Part Number	Description	No. Off	Makers part number which have a CG number	Maker's old part number which have since been changed	Maker's new part number which DO NOT have a GC number	M B F	Original Supplier	Original Supplier part number	Retail price excl. VAT
184		Pressure gauge connection	1			BI1441 137	M			
185	H74-529	O-ring gasket 2,62x15,54	1	BI1351 102			M			
186		Fork d. 12	1			BI1441 107	M			
187	169-102	O-ring gasket 1,9x5,7	1	KI1042 102			M			
188	H74-531	Fork P21,6	1	BI1351 104			M			
189	H74-535	Tapping screw 5x12	4	BI1351 107			F			
190		Flow group kit d.h.w.	1			BI1421 100	M			
191	169-016	Temperature probe NTC d.h.w.	1	KI1042 501			M			
192	H74-528	Screw M5x35 - Hexagon socket cap	1	BI1351 101			F			
193	H74-530	Flow group kit d.h.w. plug	1	BI1351 103			M			
194	H74-538	Diverter valve actuator fixing spring	1	BI1351 111			M			
195		Flow group kit c.h.	1			BI1501 100	M			
196	H74-539	Fork P11	2	BI1351 112			M			
197	H74-540	O-ring gasket 1,90x8,90	1	BI1351 113			M			
198	H74-545	Primary circuit pressure switch	1	BI1351 118			M			
201	H74-553	Spring mounting temperature probe	1	BI1442 106			M			
202		Pump capacitor	1			BI2175 101	M			