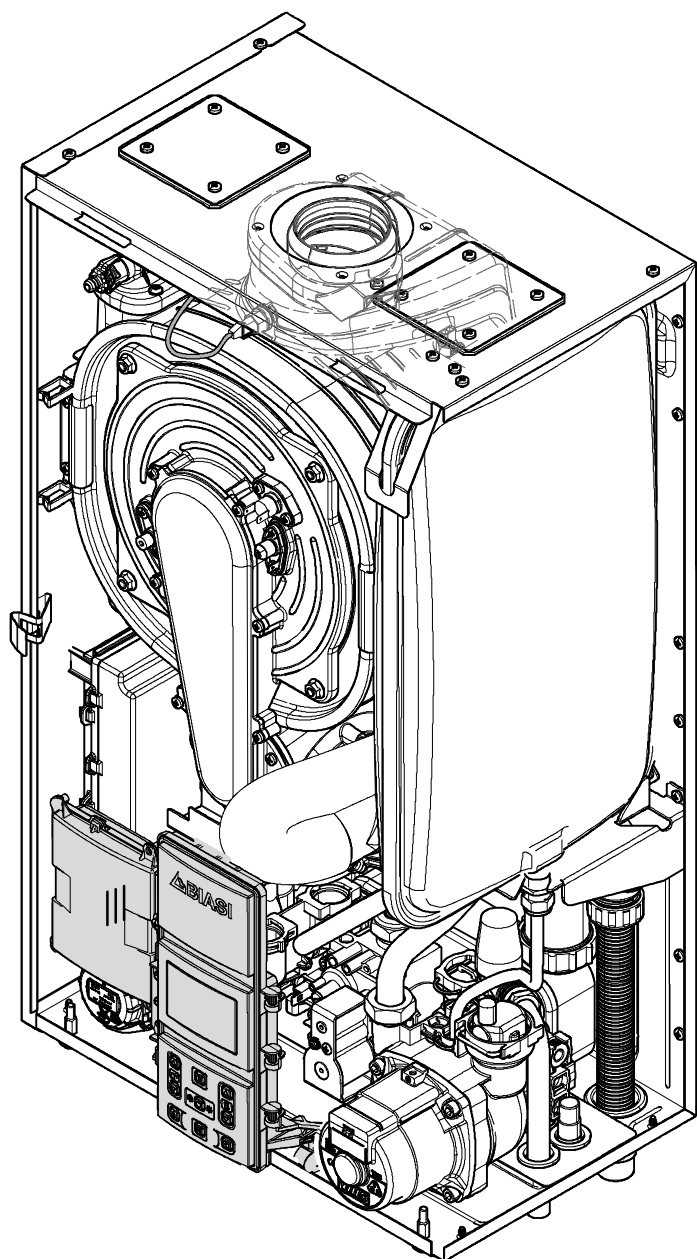


Activ A Plus 25C  
Activ A Plus 30C  
Activ A Plus 35C

47-583-28  
47-583-26  
47-583-27

Overall view

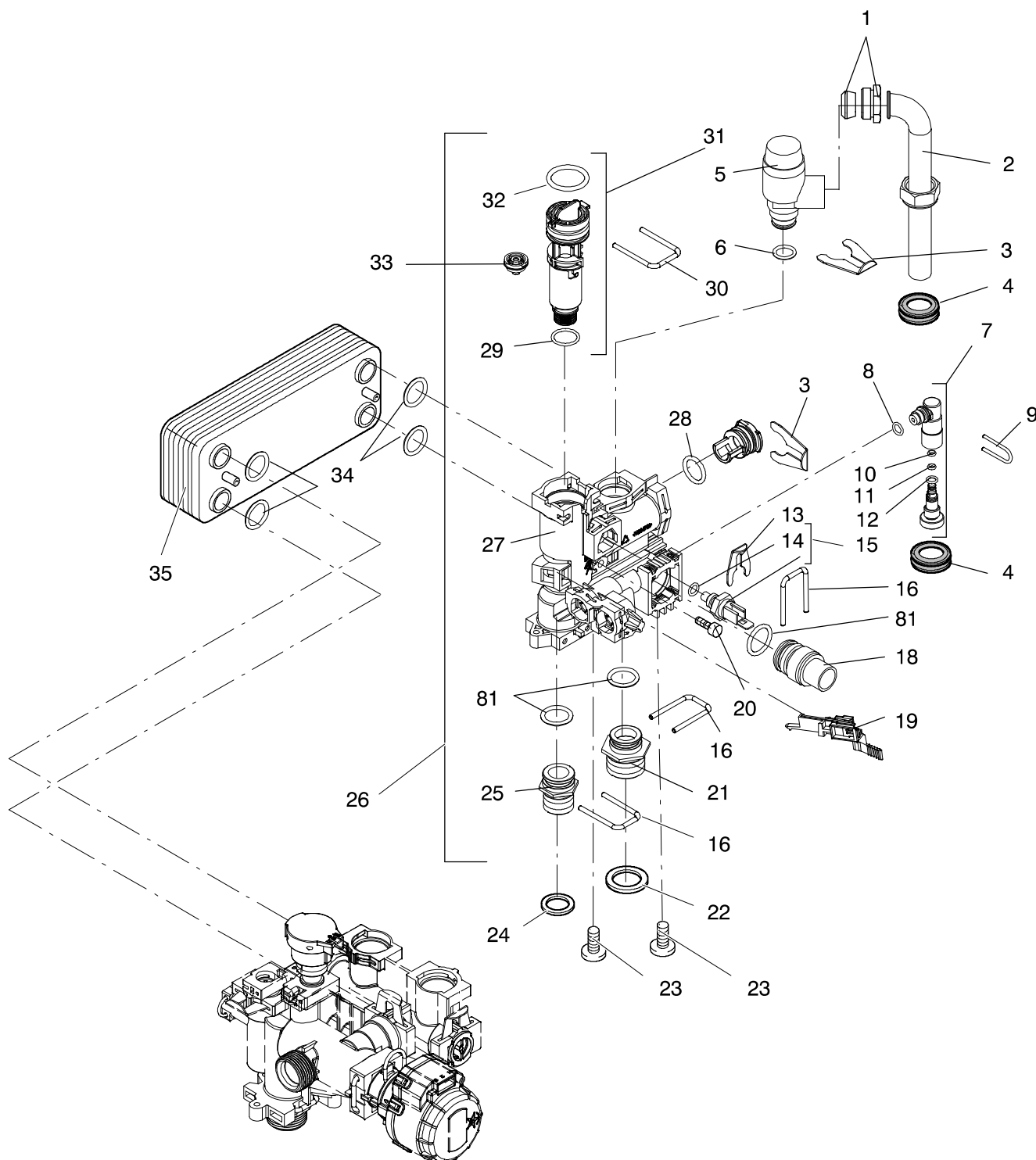
DATA BADGE: inner side of left case panel



Activ A Plus 25C  
Activ A Plus 30C  
Activ A Plus 35C

47-583-28  
47-583-26  
47-583-27

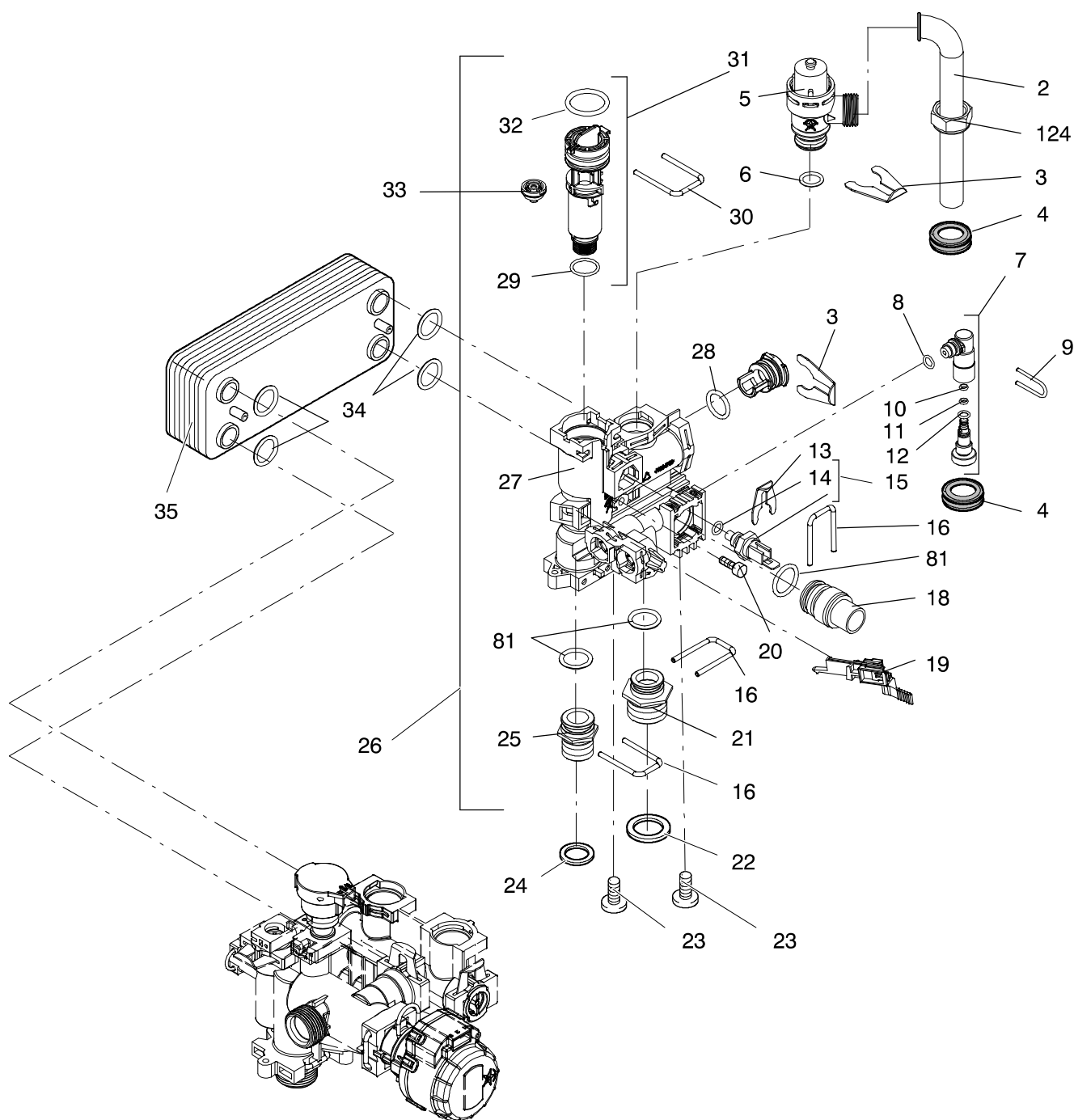
C.h. return group and d.h.w. heat exchanger up to serial no 023470712



Activ A Plus 25C  
Activ A Plus 30C  
Activ A Plus 35C

47-583-28  
47-583-26  
47-583-27

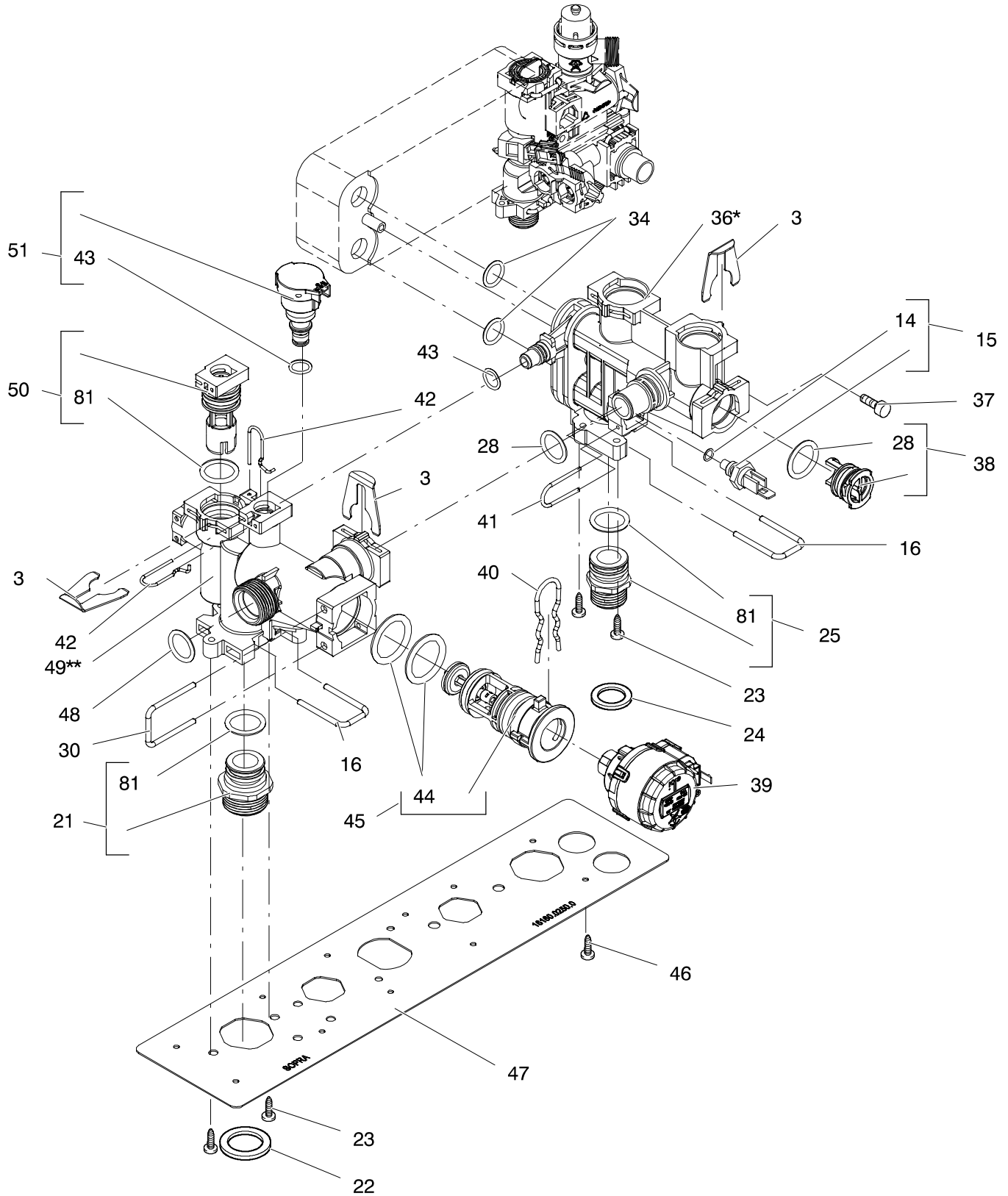
C.h. return group and d.h.w. heat exchanger from serial no 023480712



Activ A Plus 25C  
Activ A Plus 30C  
Activ A Plus 35C

47-583-28  
47-583-26  
47-583-27

C.h. flow group and three way diverter valve



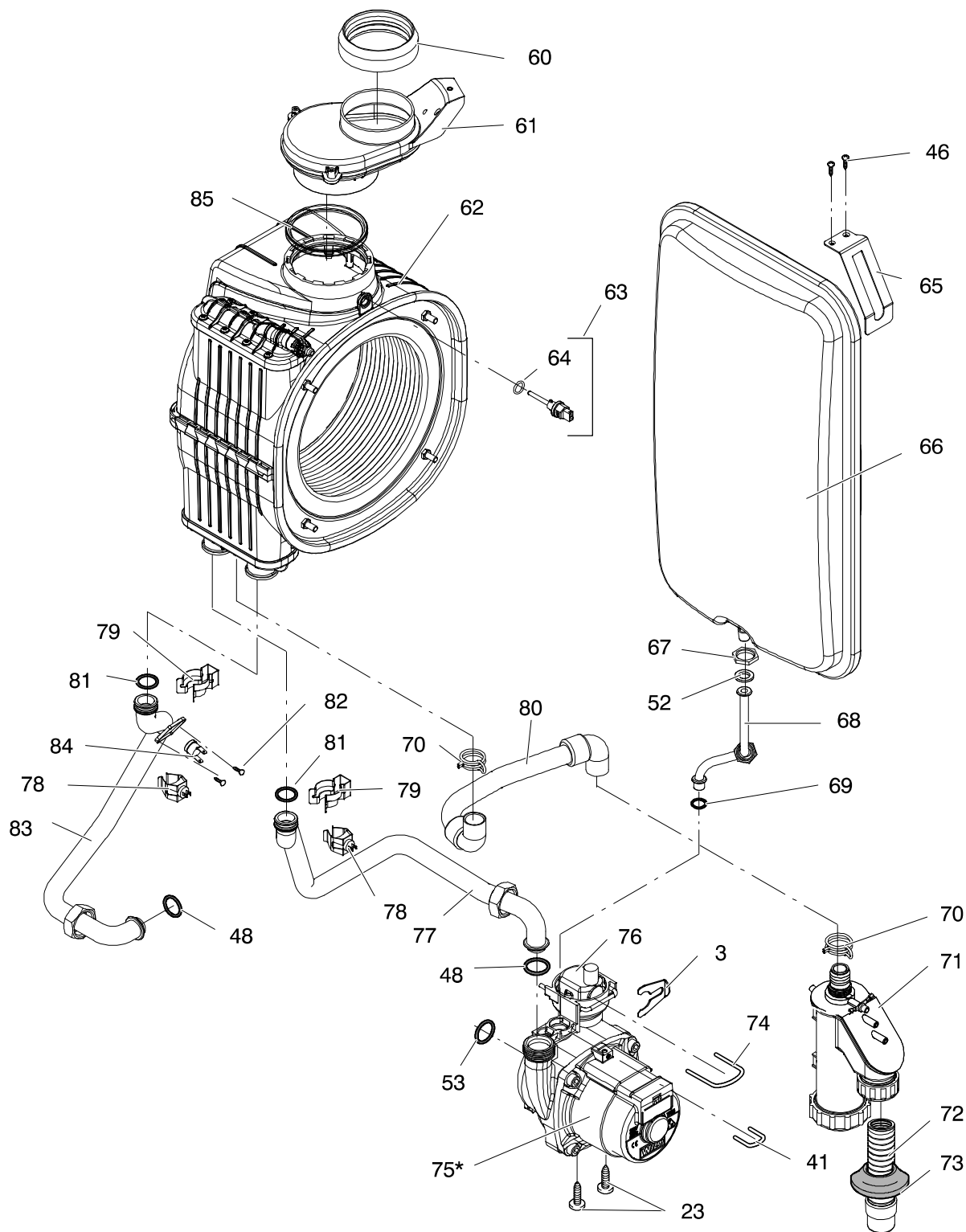
\* Includes items 34, 14, 28, 81, 43

\*\* Includes items 48, 58, 28, 81, 44, 43

Activ A Plus 25C  
Activ A Plus 30C  
Activ A Plus 35C

47-583-28  
47-583-26  
47-583-27

Pump and main circuit assembly

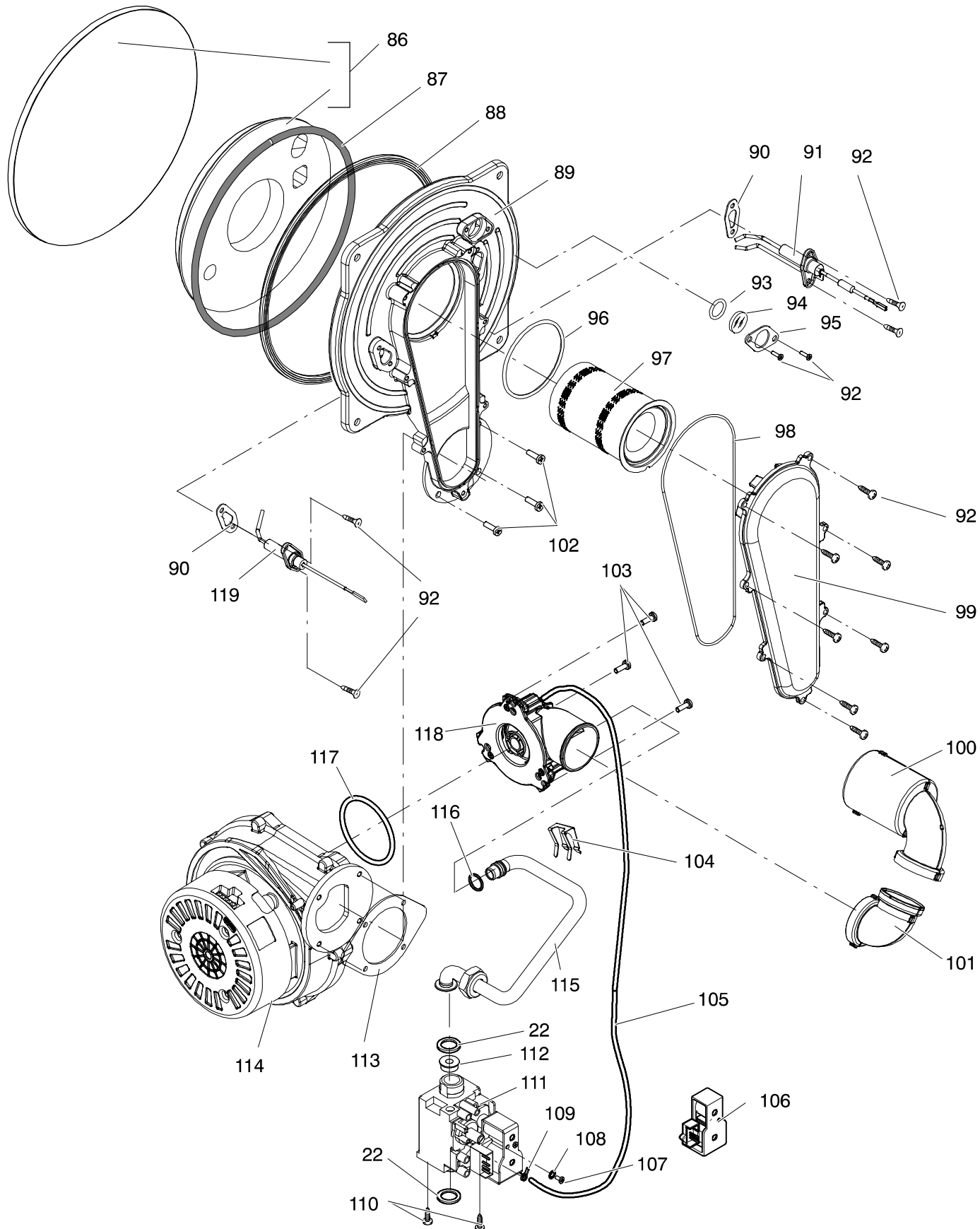


\* Includes items 74

Activ A Plus 25C  
Activ A Plus 30C  
Activ A Plus 35C

47-583-28  
47-583-26  
47-583-27

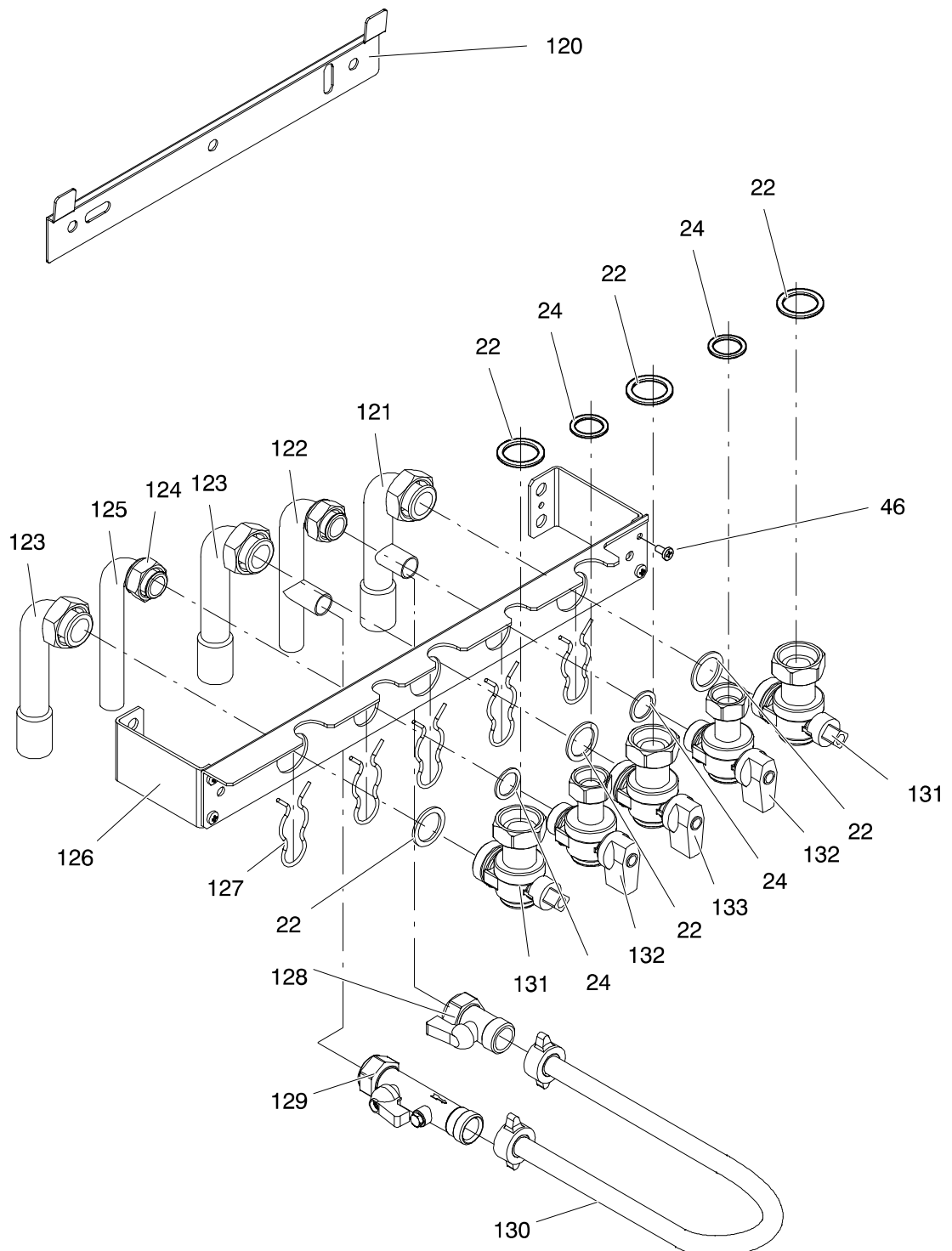
Gas assembly



Activ A Plus 25C  
Activ A Plus 30C  
Activ A Plus 35C

47-583-28  
47-583-26  
47-583-27

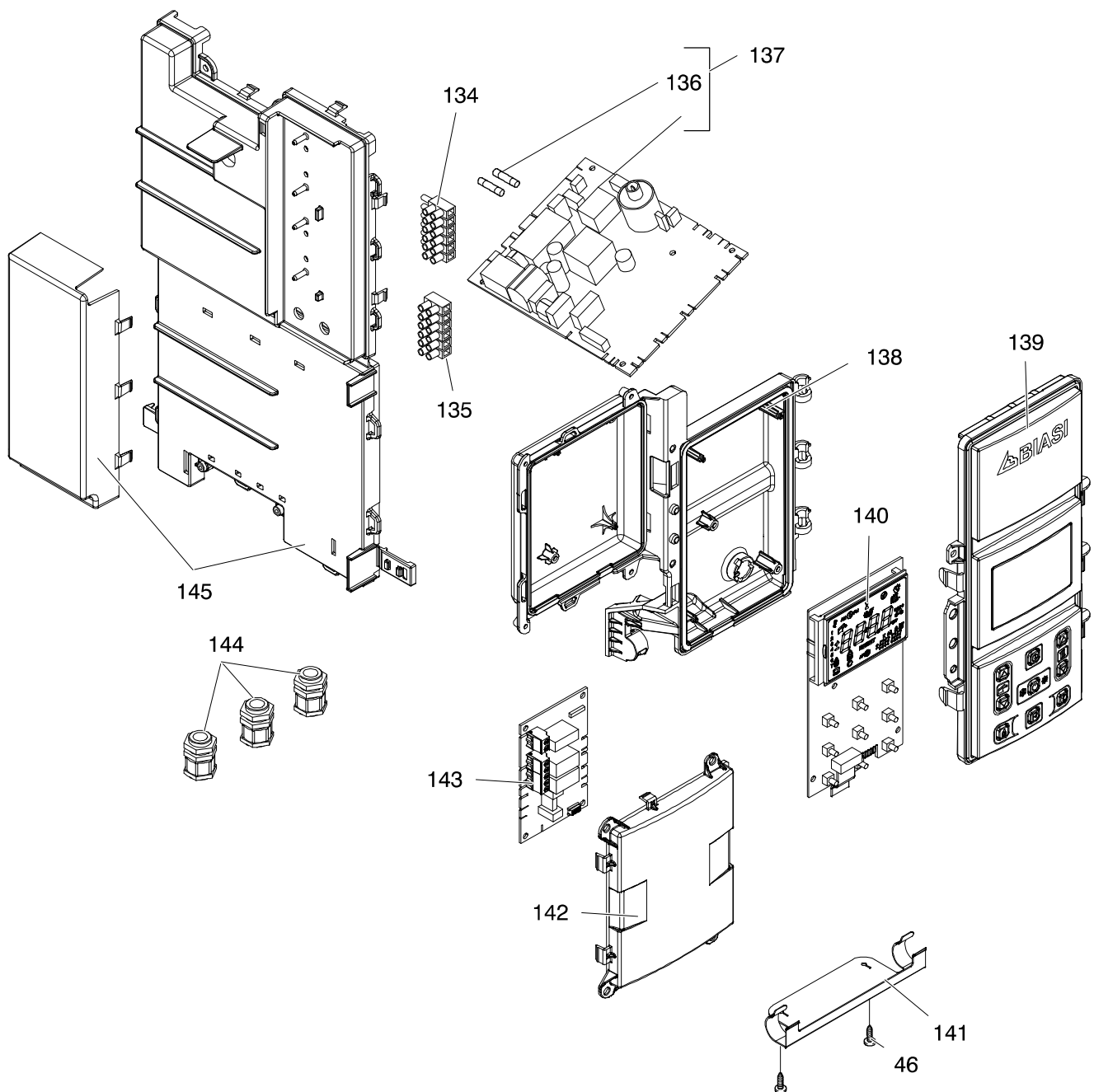
Valves and connection pipes



Activ A Plus 25C  
Activ A Plus 30C  
Activ A Plus 35C

47-583-28  
47-583-26  
47-583-27

Control panel and ignition device

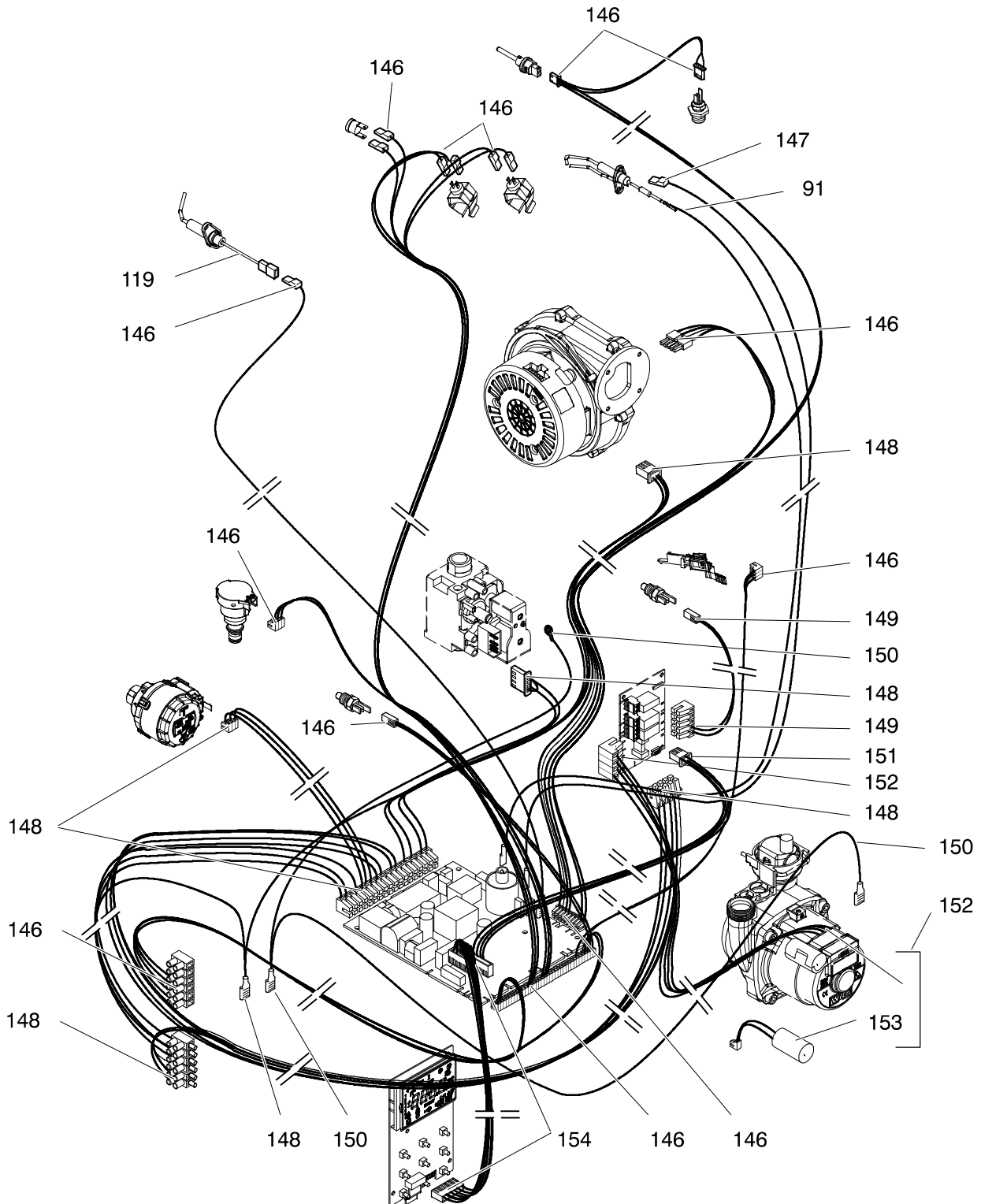




Activ A Plus 25C  
Activ A Plus 30C  
Activ A Plus 35C

47-583-28  
47-583-26  
47-583-27

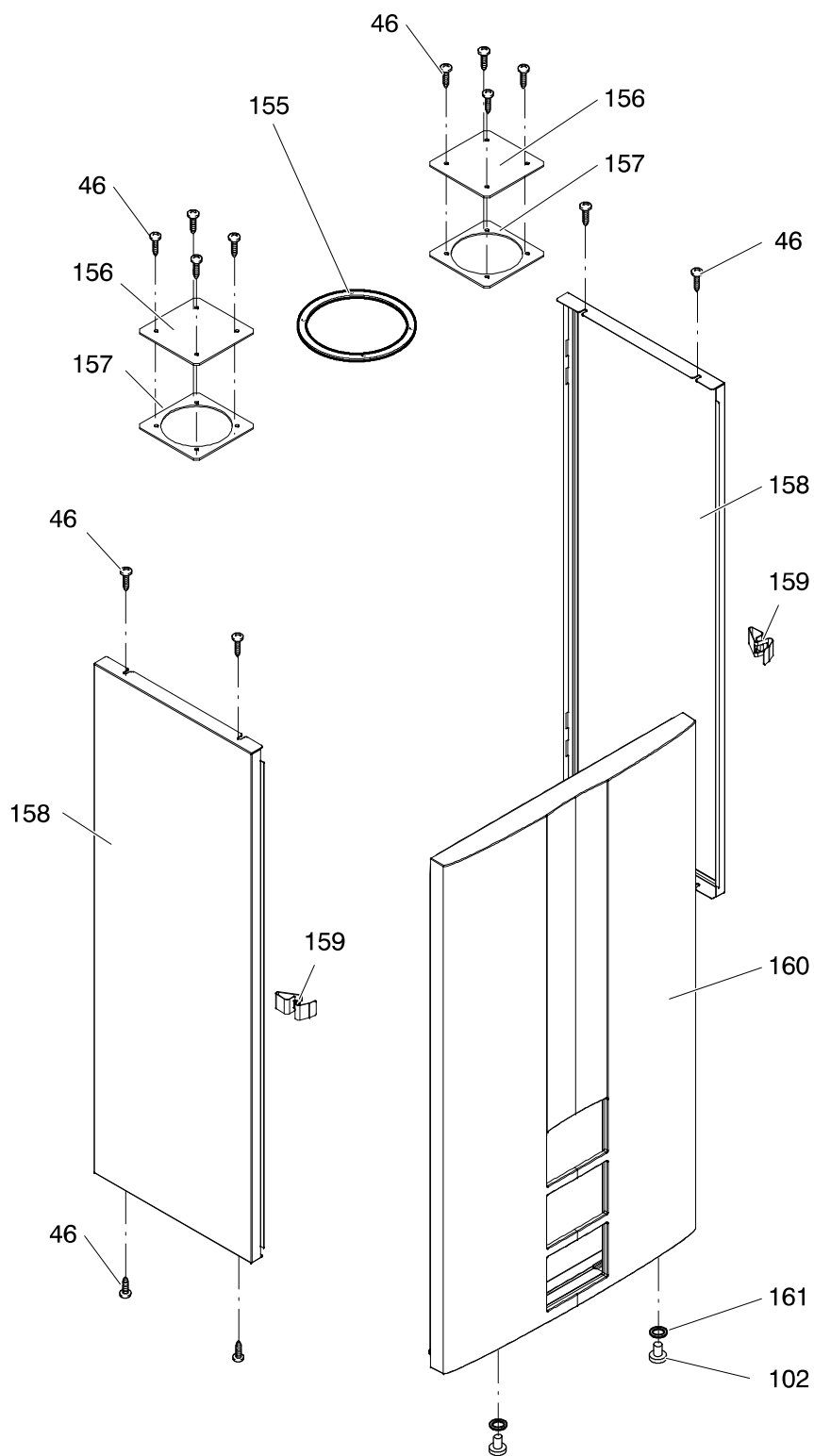
### Wiring



Activ A Plus 25C  
Activ A Plus 30C  
Activ A Plus 35C

47-583-28  
47-583-26  
47-583-27

Sealed chamber and case panels



Date \_\_\_\_\_

Sheet 1 of 8Manufacturer Biasi SpA – ItalyAppliance(s) Activ A Plus 25C, Activ A Plus 30C, Activ A Plus 35CGC Appliance Number(s) 47-583-28, 47-583-26 , 47-583-27

Contract Name \_\_\_\_\_

Telephone Number \_\_\_\_\_

(a)	(b)	(c)	(d)	(e)	(f)	(g)	(h)	(i)	(j)	(k)
Key no.	GC Part Number	Description	No. Off	Makers part number which have a CG number	Maker's old part number which have since been changed	Maker's new part number which DO NOT have a GC number	M B F	Original Supplier	Original Supplier part number	Retail price excl. VAT
		Position of data badge: frame, inner lower side								
		Instructions booklets set	1			BI1913 527	M			
1	E23-759	Safety valve connection	1	BI1001 127			M			
2		Safety valve connection pipe up to serial no 023470712	1			BI1441 117	M			
		Safety valve connection pipe from serial no 023480712	1			BI1441 100	M			
3	H20-987	Pump connection fork	7	BI1262 116			M			
4		Grommet	2			BI1301 109	M			
5		Safety valve 3 bar from serial no 023480712	1			BI1441 116	B	Watts Intermes	3 bar	
		Safety valve 3 bar up to serial no 023470712	1			BI1441 101	B	Watts Intermes	3 bar	
6		O-ring gasket 2,62x15,88	1			KI1042 110	M			
7	H50-398	Drainage valve	1	BI1181 501			M			
8	H50-484	O-ring gasket 1,78x7,66	2	BI1182 108			M			
9	H50-473	Fork P.10,5	4	BI1181 107			M			
10	169-050	O-ring gasket 1,78x2,9	1	KI1043 145			M			
11	H50-488	O-ring gasket 1,78x3,69	1	BI1181 120			M			
12	169-014	O-ring gasket 1,78x6,07	1	KI1002 119			M			
13		Fork d. 12	1			BI1441 107	M			
14	169-102	O-ring gasket 1,9x5,7	1	KI1042 102			M			
15	169-016	Temperature probe NTC d.h.w.	1	KI1042 501			M			
16	H74-531	Fork P21,6	2	BI1351 104			M			
18		Pump connection	1			BI1441 102	M			
19		D.h.w. flow switch	1			BI1441 104				
20	402-941	Screw M5x30 – Hexagon socket cap	1	KI1217 115			M			
21	H74-541	Threaded connection c.h.	1	BI1351 114			M			
22	169-033	Flat gasket 3/4"	7	BI1001 108			M			

CONTINUATION SHEETSheet 2 of 8Appliance number(s) 47-583-28, 47-583-26, 47-583-27

(a)	(b)	(c)	(d)	(e)	(f)	(g)	(h)	(i)	(j)	(k)
Key no.	GC Part Number	Description	No. Off	Makers part number which have a CG number	Maker's old part number which have since been changed	Maker's new part number which DO NOT have a GC number	M B F	Original Supplier	Original Supplier part number	Retail price excl. VAT
23	H74-535	Tapping screw 5x12	5	BI1351 107			F			
24	169-141	Gasket 1/2"	3	BI1001 106			M			
25	H74-533	Threaded connection d.h.w.	1	BI1351 106			M			
26		Return group kit	1			BI1441 500	M			
27		Return group	1			BI1441 103	M			
28	H74-529	O-ring gasket 2,62x15,54	2	BI1351 102			M			
29		O-ring gasket 1,78x15,60	1			BI1441 105	M			
30	H74-542	Fork P26	1	BI1351 115			M			
31		Magnetic flow switch and filter kit	1			BI1441 501	M			
32	E00-680	O-ring gasket 2,62x23,47	1	BI1011 107			M			
33		Flow limiter 10 Litres/min	1			BI1441 106	M			
34	169-060	O-ring gasket 18,64x3,53	4	KI1043 144			M			
35	E01-204	Exchanger DHW - Activ A Plus 25C	1	BI1001 101			M			
35 A	E01-205	Exchanger DHW - Activ A Plus 30C, Activ A Plus 35C	1	BI1001 102			M			
36		Flow group kit d.h.w.	1			BI1421 100	M			
37	H74-528	Screw M5x35 - Hexagon socket cap	1	BI1351 101			F			
38	H74-530	Flow group kit d.h.w. plug	1	BI1351 103			M			
39		Diverter valve actuator	1			BI1431 100	M			
40	H74-538	Diverter valve actuator fixing spring	1	BI1351 111			M			
41	169-015	Fork P.14	4	KI1042 101			M			
42	H74-539	Fork P11	2	BI1351 112			M			
43	H74-540	O-ring gasket 1,90x8,90	2	BI1351 113			M			
44	E00-680	O-ring gasket 2,62x23,47	2	BI1011 107			M			
45	H74-536	Diverter valve kit up to serial no 023470712	1	BI1351 109			M			
		Diverter valve kit from serial no 023480712	1			BI1491 101	M			

CONTINUATION SHEETSheet 3 of 8Appliance number(s) 47-583-28, 47-583-26, 47-583-27

(a)	(b)	(c)	(d)	(e)	(f)	(g)	(h)	(i)	(j)	(k)
Key no.	GC Part Number	Description	No. Off	Makers part number which have a CG number	Maker's old part number which have since been changed	Maker's new part number which DO NOT have a GC number	M B F	Original Supplier	Original Supplier part number	Retail price excl. VAT
46	409-722	Tapping Screw ISO No8 B 4,2x9,5 Recessed Pan Head	34	BI1013 110			F			
		Hardened Steel BS4174 Bright Zinc plate BS1706 Clear								
		Passivated								
47		Water groups assembling plate	1			BI1351 120	M			
48	H20-981	O-ring gasket 2X17	2	BI1262 114			M			
49		Flow group kit c.h. up to serial no 023470712	1			BI1421 101	M			
		Flow group kit c.h. from serial no 023480712	1			BI1501 100	M			
50	H74-544	By-pass kit	1	BI1351 117			M			
51		Primary circuit pressure switch	1			BI1431 101	M			
52	H03-727	Flat gasket 3/8" O.D 15 mm, i.d. 8.5 mm	2	BI1202 105			M			
53	H20-945	O-ring gasket 17,04x4,00	1	BI1212 112			M			
58		O-ring gasket 2,62x11,91	2			BI1301 112	M			
60	H74-575	Flue outlet gasket	1	BI1536 101			M			
61		Flue outlet adapter	1			BI1552 101	M			
62	H58-659	Condensing heat exchanger - Activ A Plus 25C	1	BI1432 100			M			
62 A	H58-660	Condensing heat exchanger - Activ A Plus 30C,	1	BI1432 101			M			
		Activ A Plus 35C								
63	H58-661	Flue temperature probe NTC	1	BI1432 102			M			
64	H50-475	O-ring gasket 1,78x10,82	3	BI1181 110			M			
65		Expansion vessel holder	1			BI1462 105	M			
66		Expansion vessel	1			BI1462 100	B	Zilmet - Italy	13S0000706	
67		Lock-nut	1			BI1462 106	M			
68		Expansion vessel connection pipe	1			BI1562 107	M			
		(replacement for discontinued BI1472 101)								
69	H20-996	O-ring gasket 2,62X9,92	1	BI1262 113			M			

CONTINUATION SHEETSheet 4 of 8Appliance number(s) 47-583-28, 47-583-26, 47-583-27

(a)	(b)	(c)	(d)	(e)	(f)	(g)	(h)	(i)	(j)	(k)
Key no.	GC Part Number	Description	No. Off	Makers part number which have a CG number	Maker's old part number which have since been changed	Maker's new part number which DO NOT have a GC number	M B F	Original Supplier	Original Supplier part number	Retail price excl. VAT
70	H20-972	Connection spring	1	Bl1262 117			F			
71	H74-550	Condensate trap	1	Bl1442 104			M			
72	H33-754	Condensate connection hose	1	Bl1262 128			M			
73	169-104	Grommet	4	Bl1002 113			M			
74	H20-990	Fork	1	Bl1262 120			M			
75		Pump	1			Bl1552 104	M	Wilo	INTNFSL12/6-HE-1-12 83W	
									U open	
76	H20-986	Automatic air purger valve	1	Bl1212 107			M			
77		Condensing heat exchanger inlet pipe	1			Bl1552 103	M			
78	H74-553	Spring mounting temperature probe	1	Bl1442 106			M			
79	H58-664	Condensing heat exchanger connection clip	2	Bl1432 106						
80		Condensate discharge pipe	1			Bl1552 102	M			
81	H20-970	O-ring gasket 2,62x17.86	2	Bl1262 112			M			
82	E23-759	Screw 2,9x4,5 Recessed Pan Head Hardened Steel	2	Bl1002 127			F			
		BS4174 Bright Zinc plate BS1706 Clear Passivated								
83		Condensing heat exchanger outlet pipe	1			Bl1552 105	M			
84	E83-101	Overheat thermostat	1	Bl1172 105			B	Elth	261 105°C	
85	H58-658	Flue outlet lip gasket	1	Bl1432 104			M			
86	H58-674	Combustion chamber insulating panels	1	Bl1293 106			M			
87	H58-676	Combustion chamber gasket	1	Bl1293 107			B			
88	H58-677	Combustion chamber lip gasket	1	Bl1293 108			M			
89		Flange burner goup	1			Bl1293 119				
90	H58-678	Electrode gasket	2	Bl1293 109			M			
91		Ignition electrode	1			Bl1363 103	M			
92	H58-681	Screw M4x10 recessed pan head BZP clear passivated	13	Bl1293 110			F			

CONTINUATION SHEETSheet 5 of 8Appliance number(s) 47-583-28, 47-583-26, 47-583-27

(a)	(b)	(c)	(d)	(e)	(f)	(g)	(h)	(i)	(j)	(k)
Key no.	GC Part Number	Description	No. Off	Makers part number which have a CG number	Maker's old part number which have since been changed	Maker's new part number which DO NOT have a GC number	M B F	Original Supplier	Original Supplier part number	Retail price excl. VAT
93	H58-683	O-ring gasket 2,62x15,88	1	Bl1293 111			M			
94	H58-684	Window (glass)	1	Bl1293 112			M			
95	H58-685	Window frame	1	Bl1293 113			M			
96	H58-687	Air-gas gasket	1	Bl1293 114			M			
97	H58-688	Burner - Activ A Plus 25C	1	Bl1293 100			B	Worgas		
97 A	H58-689	Burner - Activ A Plus 30C, Activ A Plus 35C	1	Bl1293 101			B	Worgas		
98	H58-690	Air-gas gasket	1	Bl1293 115			M			
99		Cover flange burner group	1			Bl1293 120				
100		Air manifold	1			Bl1363 100	M			
101		Air elbow	1			Bl1363 101	M			
102		Screw M5x14 - BZP RPH	4			Bl1512 110	F			
103	402-126	Screw M4x12 - BZP RPH	3	Kl1093 119			F			
104	H58-691	Gas pipe fixing fork	1	Bl1273 102			M			
105	E83-188	Siliconic rubber pipe	1	Bl1256 101			M			
106	H08-602	Gas valve on-off operator coils	1	Bl1093 107			B	Sit	0.967.158	
107	402-049	Screw M3x8 - BZP RPH	2	Bl1462 115			F			
108	405-406	Toothed lock washer ET zinc plated 4,5x8 mm	1	Kl1066 209			F			
109	H38-937	Connection spring	2	Bl1253 116			F			
110	402-124	Screw M4x8 mm Recessed pan head Mild steel BS4183	2	Bl1013 114			F			
		Bringht zinc plate BS3382 Clear passiv.								
111		Gas valve	1			Bl1313 103	B	Sit	0.848.135	
112	H38-924	Gas restrictor NG (natural gas) - Activ A Plus 25C	1	Bl1223 109			M			
112 A	H38-926	Gas restrictor NG (natural gas) - Activ A Plus 30C,	1	Bl1253 108			M			
		Activ A Plus 35C								
112 B	H58-697	Gas restrictor Propane - Activ A Plus 25C	1	Bl1293 500			M			

CONTINUATION SHEETSheet 6 of 8Appliance number(s) 47-583-28, 47-583-26, 47-583-27

(a)	(b)	(c)	(d)	(e)	(f)	(g)	(h)	(i)	(j)	(k)
Key no.	GC Part Number	Description	No. Off	Makers part number which have a CG number	Maker's old part number which have since been changed	Maker's new part number which DO NOT have a GC number	M B F	Original Supplier	Original Supplier part number	Retail price excl. VAT
112	C	Gas restrictor Propane – Activ A Plus 30C, Activ A Plus 35C	1			BI1363 500	M			
113		Fan gasket	1			BI1313 111	M			
114		Fan	1			BI1313 102	B	EBM PAPST	NRG118-080	
115		Gas pipe – Activ A Plus 25C	1			BI1363 102	M			
115	A	Gas pipe – Activ A Plus 30C, Activ A Plus 35C	1			BI1363 104	M			
116	H58-703	O-ring gasket 2x13 NBR	1	BI1273 104			M			
117	H38-956	O-ring gasket 3,53x61,91 NBR	1	BI1253 114			M			
118	H58-705	Air-box assembly – Activ A Plus 25C	1	BI1273 100			M			
118	A H58-707	Air-box assembly – Activ A Plus 30C, Activ A Plus 35C	1	BI1273 101			M			
119	H58-709	Detection electrode	1	BI1293 103			M			
120	E90-690	Wall mounting plate	1	BI1084 113			M			
121		C.h. connection return pipe	1			BI1164 104	M			
122		Pipe 15 mm dia d.c.w.	1			BI1164 103	M			
123		Pipe 22 mm dia gas and c.h. flow	2			BI1164 102	M			
124	E01-226	Nut 1/2"	1	BI1004 101			M			
125		Pipe 15 mm dia (bent) d.h.w.	1			BI1164 101	M			
126		Prefitting plate	1			BI1164 100	M			
127		Fork	5			BI1044 101	M			
128		Filling loop stop valve	1			BI1164 106	M			
129		Filling loop double check valve	1			BI1164 105	M			
130		Filling loop flexible hoose	1			BI1164 107	M			
131	E83-136	Tap 3/4" – c.h.	2	BI1084 105			B			
132	E83-137	Tap 1/2" – d.h.w.	2	BI1084 101			B			
133	E83-138	Tap 3/4" – gas	1	BI1084 100			B			



CONTINUATION SHEETSheet 7 of 8Appliance number(s) 47-583-28, 47-583-26, 47-583-27

(a)	(b)	(c)	(d)	(e)	(f)	(g)	(h)	(i)	(j)	(k)
Key no.	GC Part Number	Description	No. Off	Makers part number which have a CG number	Maker's old part number which have since been changed	Maker's new part number which DO NOT have a GC number	M B F	Original Supplier	Original Supplier part number	Retail price excl. VAT
134		Remote/External temp. probe terminal block	1			BI1805 107	B	Odoardo Korner	OK-433/6-NY-LP-SPM	
135		Electric supply/room thermostat terminal block	1			BI2035 108	B	Odoardo Korner	OK-433-FV-LP-SPM 06	
136	E23-792	Fuse 2 AF 250VAC 5x20	2	BI1165 112			B			
137		Main electronic control - ignition p.c.b.	1			BI2035 100	M			
138		Control panel box	1			BI2035 117	M			
139		Control panel lid	1			BI2035 121	M			
140		Control panel electronic p.c.b.	1			BI2035 119	M			
141		Control panel bracket	1			BI2035 104	M			
142		Auxiliary p.c.b. lid	1			BI2035 118	M			
143		Auxiliary p.c.b.	1			BI2035 120	M			
144		Cable gland	3			BI2035 106	M			
145		Main electronic p.c.b. box	1			BI2035 107	M			
146		Sensors cable	1			BI2265 100	M			
147		Ignition electrode earth cable	1			BI2265 102	M			
148		Electricity supply and electrical equipment to 230V cable	1			BI2265 101	M			
149		Input temperature probe cable	1			BI2265 103	M			
150		Earth wiring	1			BI2045 103	M			
151		Flat cable	1			BI2265 105	M			
152		Pump cable	1			BI2265 104	M			
153		Pump capacitor	1			BI2175 101	M			
154		Main electronic control p.c.b. - Control panel electronic	1			BI2045 106	M			
		p.c.b. controls wiring								
155	169-110	Flue pipe gasket	1	BI1016 104			M			
156	H40-757	Twin flue cover plate	2	BI1366 114			M			
157	E01-184	Gasket - Air intake twin kit	2	BI1016 101			M			

## CONTINUATION SHEET

Sheet 8 of 8Appliance number(s) 47-583-28, 47-583-26, 47-583-27

(a)	(b)	(c)	(d)	(e)	(f)	(g)	(h)	(i)	(j)	(k)
Key no.	GC Part Number	Description	No. Off	Makers part number which have a CG number	Maker's old part number which have since been changed	Maker's new part number which DO NOT have a GC number	M B F	Original Supplier	Original Supplier part number	Retail price excl. VAT
158		Side case panel	2			BI1556 100	M			
159		Front case panel clip	2			BI1556 103	M			
160		Front case panel	1			BI1556 101	M			
161	405-274	Washer zinc plated 5,5x15 mm	2	BI1556 102			F			