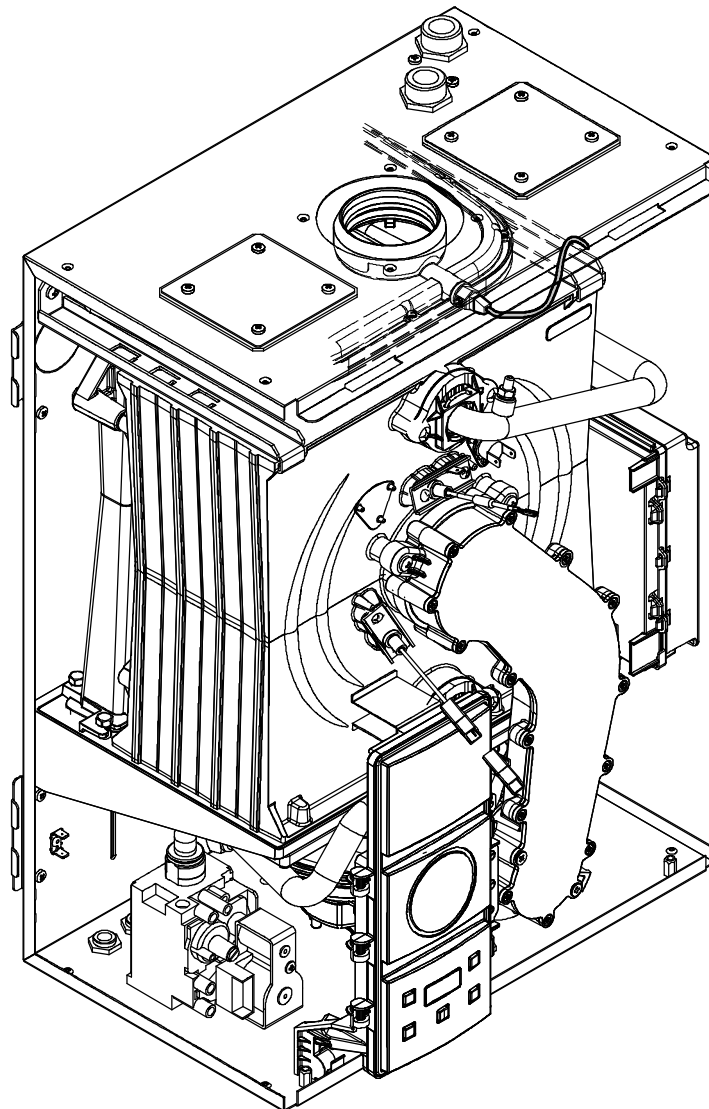


Activ A 120V  
Activ A 150V  
Activ A 200V  
Activ A 250V

41-583-14  
41-583-15  
41-583-16  
41-583-17

Overall view

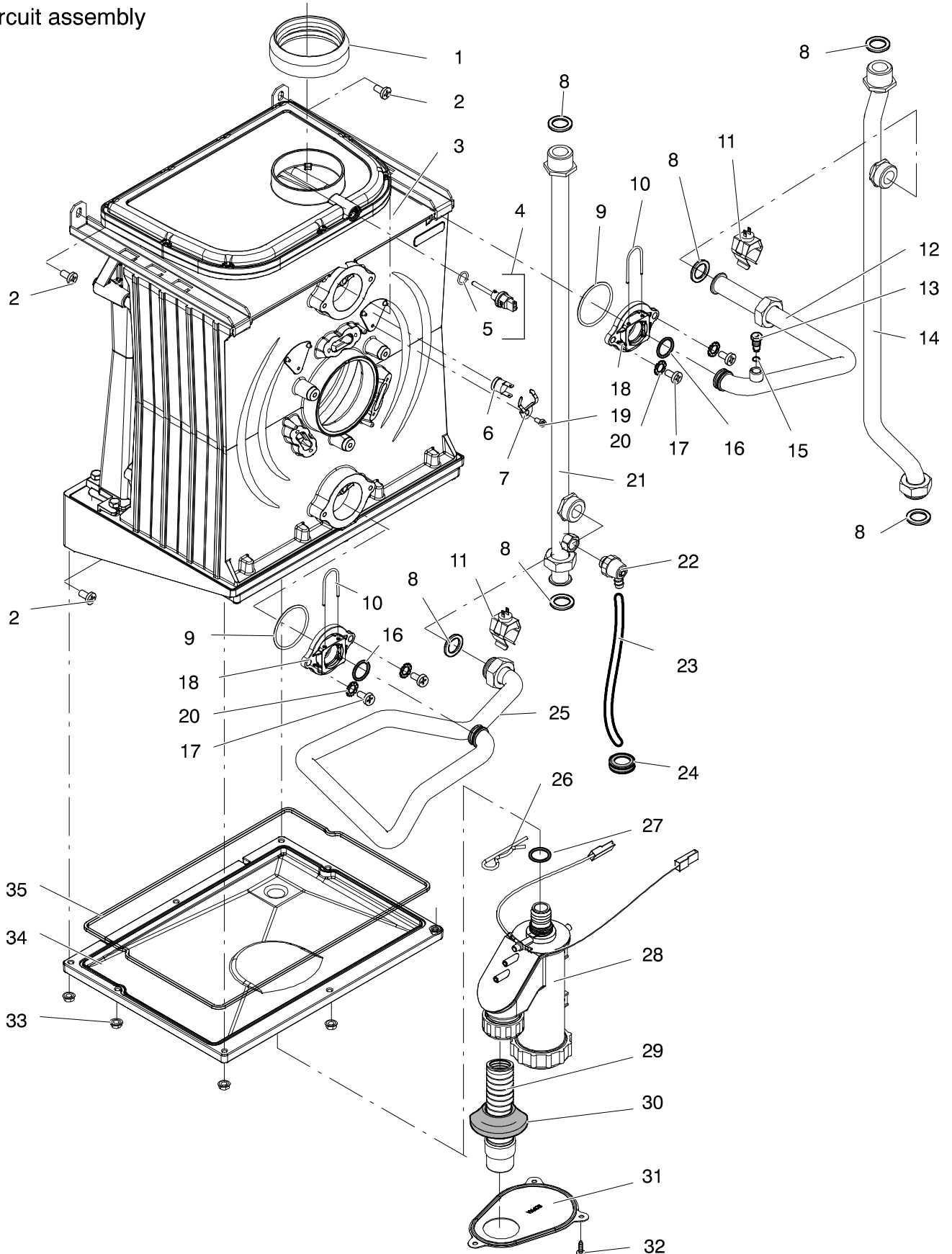
DATA BADGE: Frame, inner lower side



Activ A 120V  
Activ A 150V  
Activ A 200V  
Activ A 250V

41-583-14  
41-583-15  
41-583-16  
41-583-17

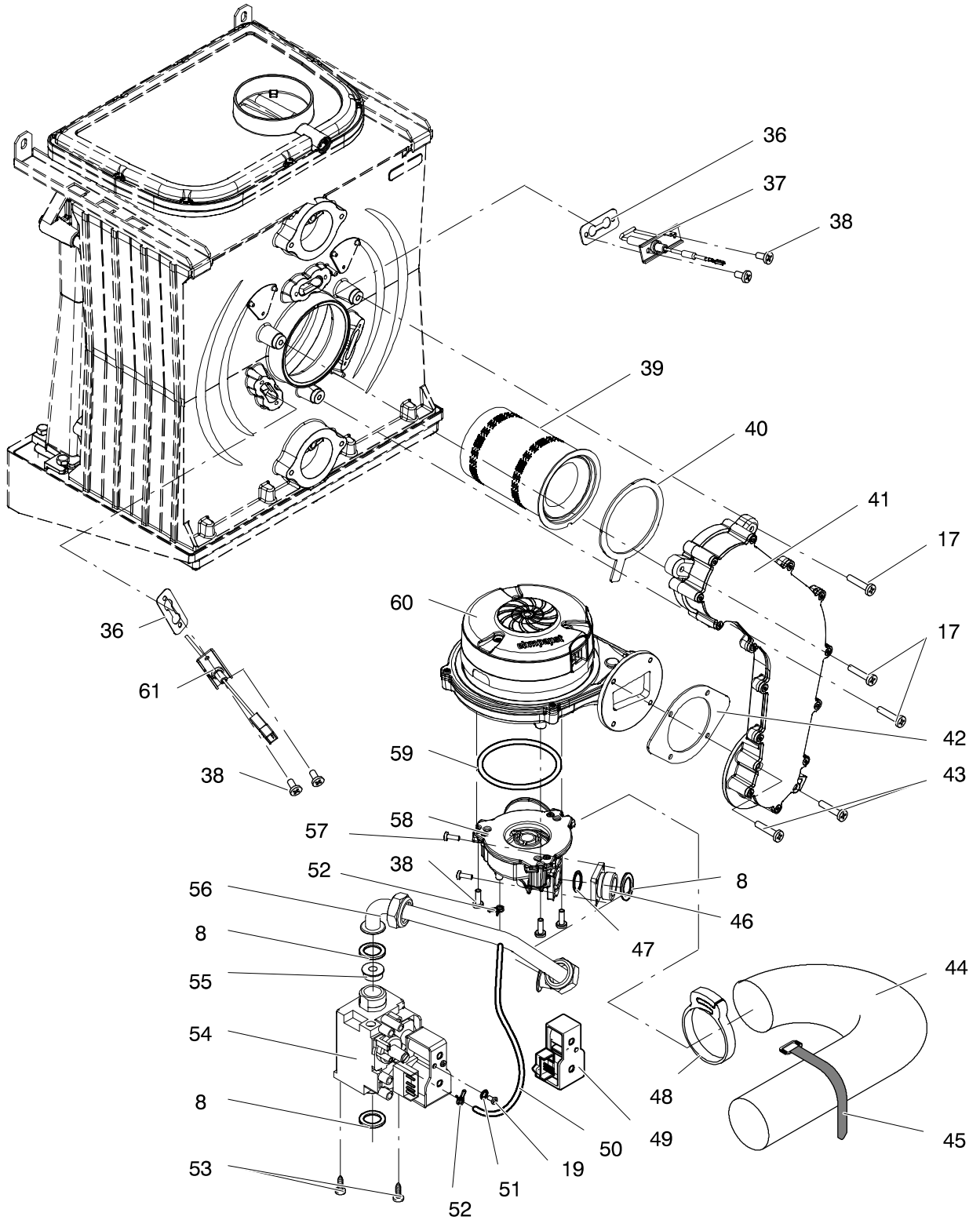
### Main circuit assembly



Activ A 120V  
Activ A 150V  
Activ A 200V  
Activ A 250V

41-583-14  
41-583-15  
41-583-16  
41-583-17

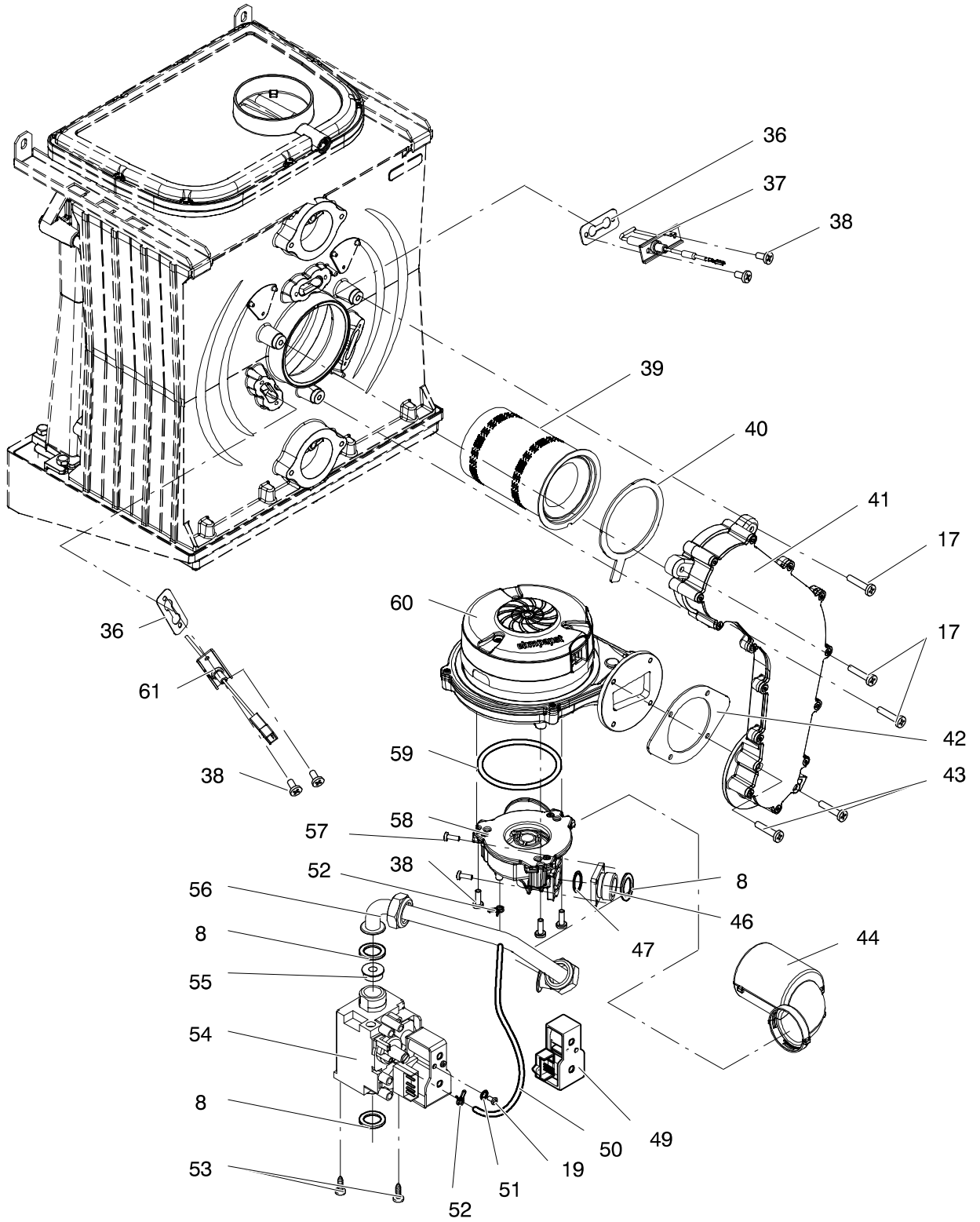
Gas assembly up to April 2011



Activ A 120V  
Activ A 150V  
Activ A 200V  
Activ A 250V

41-583-14  
41-583-15  
41-583-16  
41-583-17

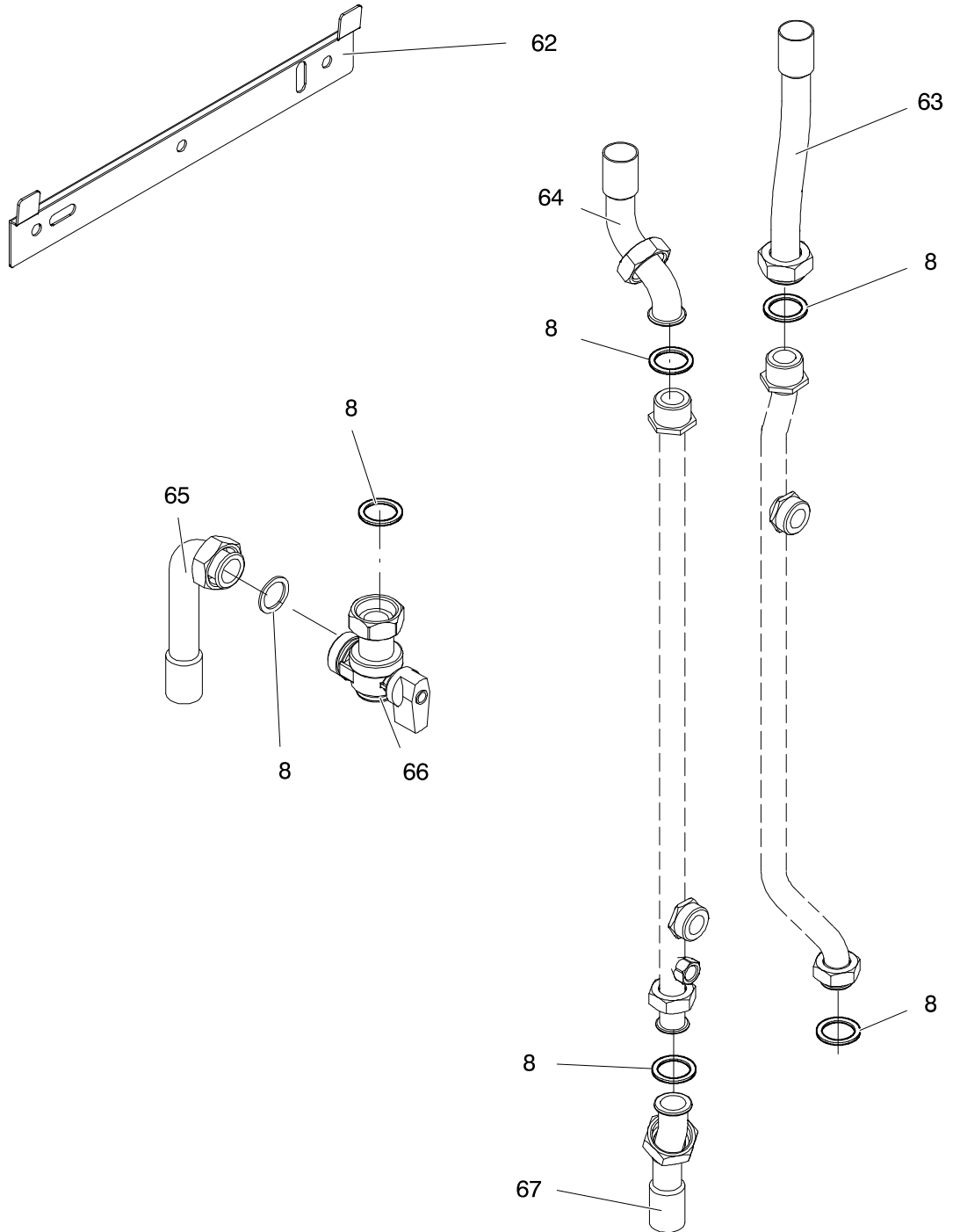
Gas assembly from May 2011



Activ A 120V  
Activ A 150V  
Activ A 200V  
Activ A 250V

41-583-14  
41-583-15  
41-583-16  
41-583-17

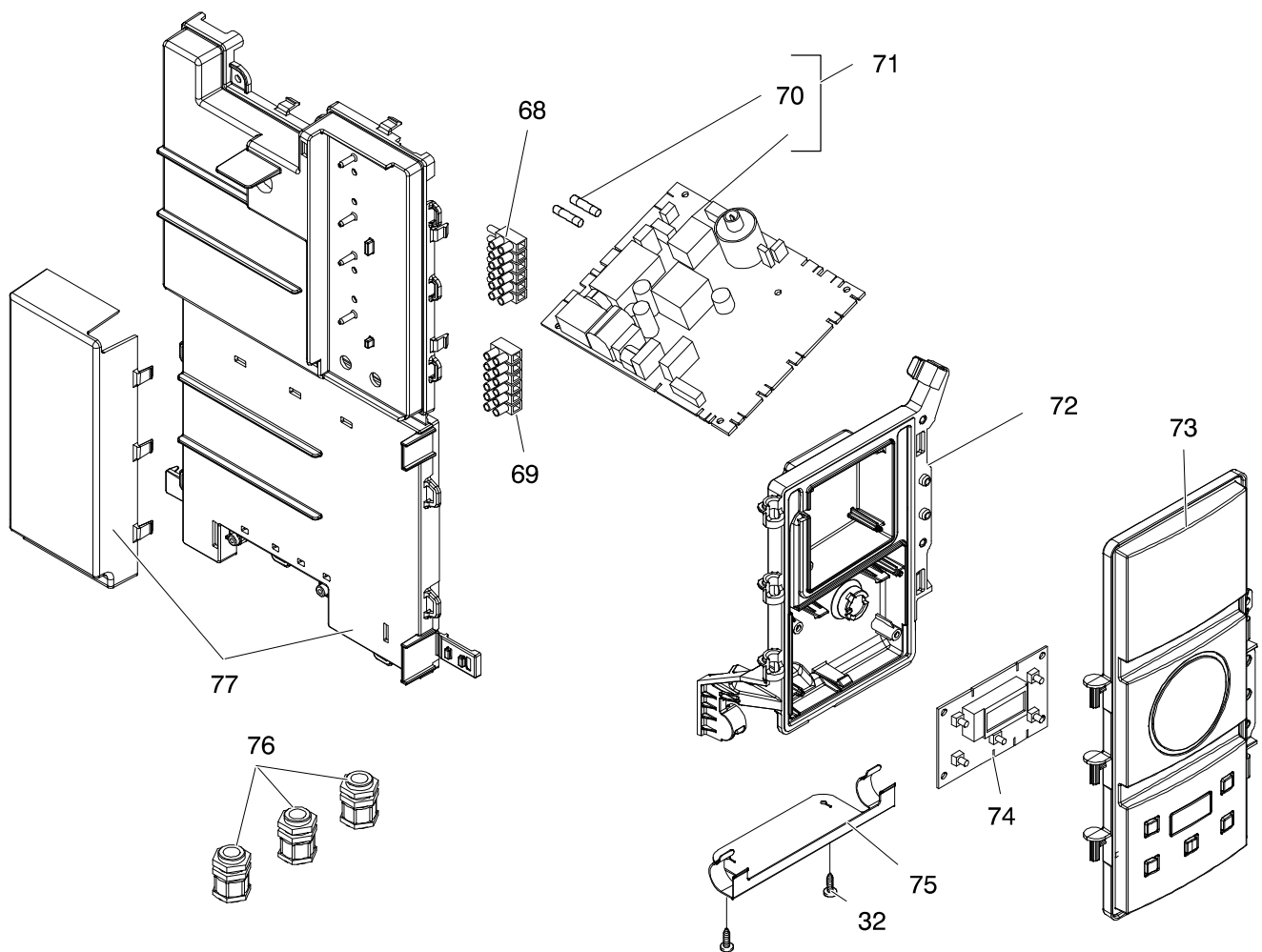
### Valves and connection pipes



Activ A 120V  
Activ A 150V  
Activ A 200V  
Activ A 250V

41-583-14  
41-583-15  
41-583-16  
41-583-17

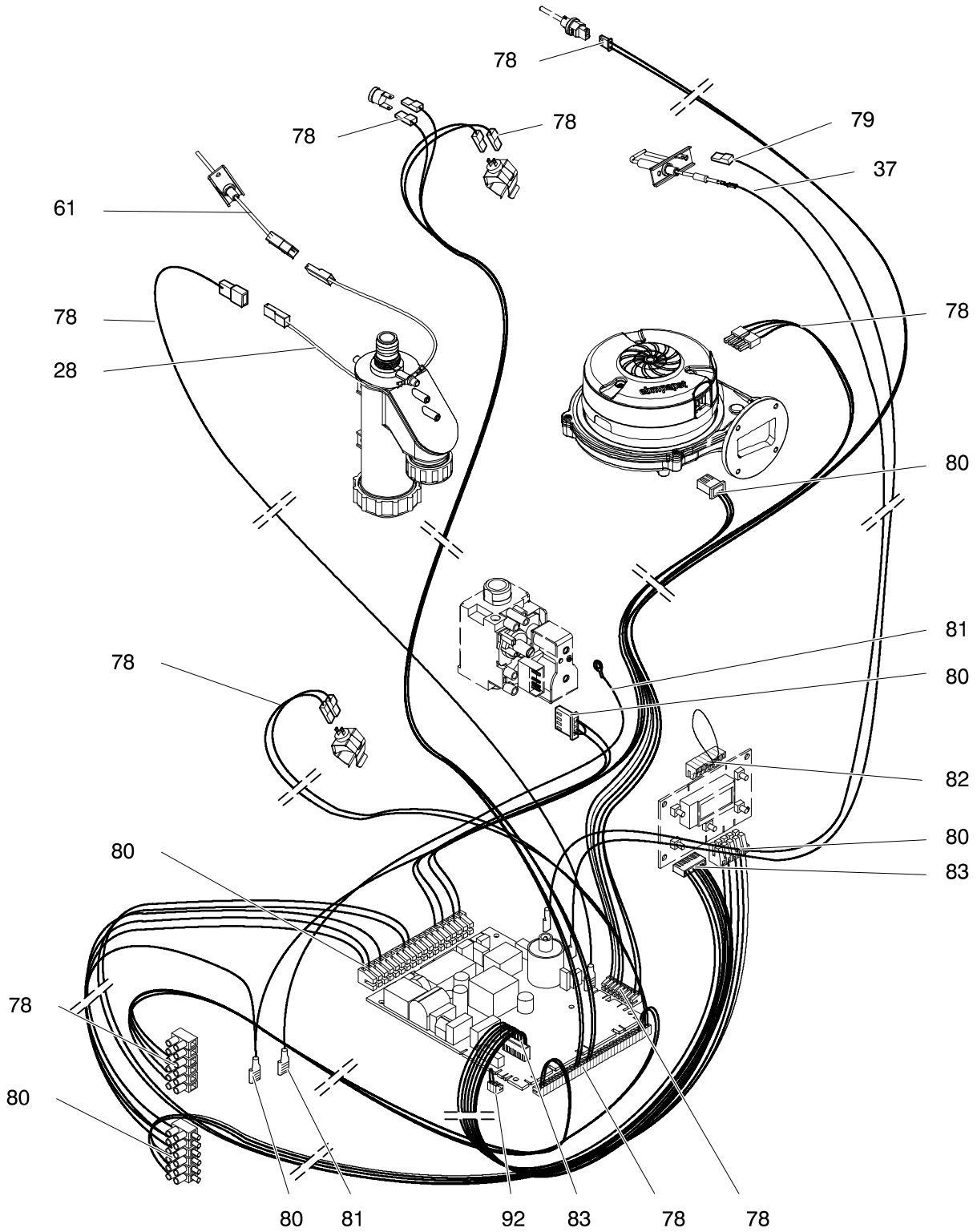
### Control panel and ignition device



Activ A 12OV  
 Activ A 15OV  
 Activ A 20OV  
 Activ A 25OV

41-583-14  
 41-583-15  
 41-583-16  
 41-583-17

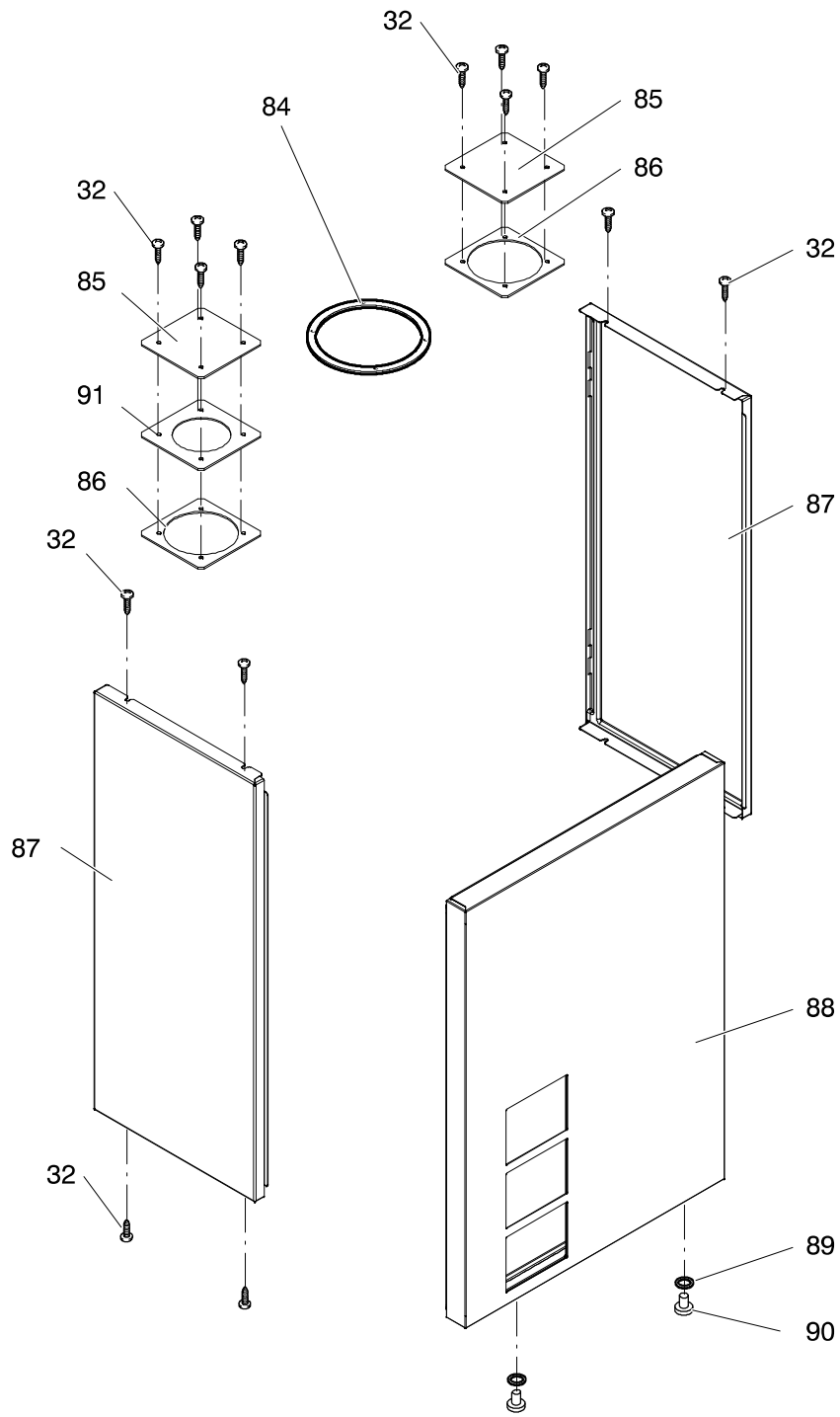
### Wiring



Activ A 12OV  
Activ A 15OV  
Activ A 20OV  
Activ A 25OV

41-583-14  
41-583-15  
41-583-16  
41-583-17

### Sealed chamber and case panels





# DRAFT BRITISH GAS PART LIST

Date \_\_\_\_\_  
 Sheet  1  of  5   
 Manufacturer  Biasi SpA – Italy   
 Appliance(s)  Activ A 12OV, Activ A 15OV, Activ A 20OV, Activ A 25OV   
 GC Appliance Number(s)  41–583–14, 41–583–15, 41–583–16, 41–583–17   
 Contract Name \_\_\_\_\_  
 Telephone Number \_\_\_\_\_

(a)	(b)	(c)	(d)	(e)	(f)	(g)	(h)	(i)	(j)	(k)
Key no.	GC Part Number	Description	No. Off	Makers part number which have a CG number	Maker's old part number which have since been changed	Maker's new part number which DO NOT have a GC number	M B F	Original Supplier	Original Supplier part number	Retail price excl. VAT
		Position of data badge: frame, inner lower side								
		Instructions booklets set	1			BI1913 518	M			
1	H74–575	Flue outlet gasket	1	BI1536 101			M			
2		Screw M6x14 – BZP RPH	4			BI1462 118	F			
3		Condensing heat exchanger Activ A 12OV, Activ A 15OV, Activ A 20OV	1			BI1462 101	M			
3	A	Condensing heat exchanger Activ A 25OV	1			BI1462 102	M			
4	H58–661	Flue temperature probe NTC	1	BI1432 102			M			
5	H50–475	O–ring gasket 1,78x10,82	1	BI1181 110			M			
6	E83–101	Overheat thermostat	1	BI1172 105			B	Elth	261 105°C	
7		Overheat thermostat fixing clamp	1			BI1462 114	M			
8	169–033	Flat gasket 3/4"	7	BI1001 108			M			
9		O–ring gasket 2,62x44,16	2			BI1462 117	M			
10	169–026	Fork P.20.5	2	KI1031 101			M			
11	H74–553	Spring mounting temperature probe	1	BI1442 106			M			
12		Condensing heat exchanger outlet pipe	1			BI1512 104	M			
13	169–049	Manual bleed valve	1	KI1031 501			M			
14		C.h. outlet pipe	1			BI1512 103	M			
15	169–050	O–ring gasket 1,78x2,9	1	KI1043 145			M			
16	H20–970	O–ring gasket 2,62x17,86	2	BI1262 112			M			
17	402–255	Screw M5x12 – BZP RPH	7	BI1462 111			F			
18		Coupling flange	2			BI1462 113	M			
19	402–049	Screw M3x8 – BZP RPH	2	BI1462 115			F			
20	405–123	Washer zinc plated 5,3x10 mm	4	BI1462 112			F			
21		C.h. inlet pipe	1			BI1512 105	M			

# CONTINUATION SHEET

Sheet 2 of 5

Appliance number(s) 41-583-14, 41-583-15, 41-583-16, 41-583-17

(a)	(b)	(c)	(d)	(e)	(f)	(g)	(h)	(i)	(j)	(k)
Key no.	GC Part Number	Description	No. Off	Makers part number which have a CG number	Maker's old part number which have since been changed	Maker's new part number which DO NOT have a GC number	M B F	Original Supplier	Original Supplier part number	Retail price excl. VAT
22	E00-669	Drainage valve	1	BI1011 104			B	Watts Interme - Caldaro Italy	RSR8 1/4"	
23		Drainage pipe	1			BI1371 106	M			
24		Grommet	1			BI1301 109	M			
25		Condensing heat exchanger inlet pipe	1			BI1512 106	M			
26		Fork	1			BI1512 108	M			
27		O-ring gasket 2x15 EPDM	1			BI1512 102	M			
28		Condensate trap	1			BI1462 104	M			
29	H33-754	Condensate connection hose	1	BI1262 128			M			
30	169-104	Grommet	4	BI1002 113			M			
31		Condensate trap plate	1			BI1512 107	M			
32	409-722	Tapping Screw ISO No8 B 4,2x9,5 Recessed Pan Head	34	BI1013 110			F			
		Hardened Steel BS4174 Bright Zinc plate BS1706 Clear								
		Passivated								
33		Flanged nut M4 steel	8			BI1015 114	F			
34		Condensate tray	1			BI1512 101	M			
35		Condensate tray gasket	1			BI1512 100	M			
36		Electrode gasket	2			BI1313 109	M			
37		Ignition electrode	1			BI1313 105	M			
38	402-155	Screw M4x10 - BZP RPH	7	KI1022 204			F			
39		Burner Activ A 12OV, Activ A 15OV, Activ A 20OV	1			BI1313 100	B	Polidoro		
39	A	Burner Activ A 25OV	1			BI1313 101	B	Worgas		
40		Air-gas gasket	1			BI1313 108	M			
41		Air-gas manifold	1			BI1313 107	M			
42		Fan gasket	1			BI1313 111	M			
43	402-219	Screw M4x10 - BZP Countersunk recessed	2	BI1313 112			F			

# CONTINUATION SHEET

Sheet 3 of 5

Appliance number(s) 41-583-14, 41-583-15, 41-583-16, 41-583-17

(a)	(b)	(c)	(d)	(e)	(f)	(g)	(h)	(i)	(j)	(k)
Key no.	GC Part Number	Description	No. Off	Makers part number which have a CG number	Maker's old part number which have since been changed	Maker's new part number which DO NOT have a GC number	M B F	Original Supplier	Original Supplier part number	Retail price excl. VAT
44	H38-903	Air hose up to April 2011	1	Bl1253 104			M			
		Air hose from May 2011	1			Bl1363 100	M			
45		Air hose wrapper	2			Bl1341 107	B			
46	H38-918	Gas connection	1	Bl1253 106			M			
47	H38-961	O-ring gasket 2,62x22,22 NBR	1	Bl1253 105			M			
48	H38-905	Air hose clamp	1	Bl1253 115			B			
49	H08-602	Gas valve on-off operator coils	1	Bl1093 107			B	Sit	0.967.158	
50	E01-187	Flue pressure switch tube	1	Bl1016 107			M			
51	405-406	Toothed lock washer ET zinc plated 4,5x8 mm	1	Kl1066 209			F			
52	H38-937	Connection spring	2	Bl1253 116			F			
53	402-124	Screw M4x8 mm Recessed pan head Mild steel BS4183	2	Bl1013 114			F			
		Bringht zinc plate BS3382 Clear passiv.								
54		Gas valve	1			Bl1313 103	B	Sit	0.848.135	
55		Gas restrictor Activ A 12OV, Activ A 15OV, Activ A 20OV	1			Bl1313 504	M			
		NG (natural gas)								
55 A		Gas restrictor Activ A 12OV, Activ A 15OV, Activ A 20OV	1			Bl1313 503	M			
		Propane								
55 B		Gas restrictor Activ A 25OV NG (natural gas)	1			Bl1273 109	M			
55 C		Gas restrictor Activ A 25OV Propane	1			Bl1313 502	M			
56		Gas pipe	1			Bl1313 113	M			
57	402-126	Screw M4x12 recessed pan head BZP clear passivated	2	Kl1093 119			M			
58	H38-962	Air-box assembly Activ A 12OV, Activ A 15OV,	1	Bl1253 111			M			
		Activ A 20OV								
58 A		Air-box assembly Activ A 25OV	1			Bl1313 114	M			
59	H38-956	O-ring gasket 3,53x61,91 NBR	1	Bl1253 114			M			

# CONTINUATION SHEET

Sheet 4 of 5

Appliance number(s) 41-583-14, 41-583-15, 41-583-16, 41-583-17

(a)	(b)	(c)	(d)	(e)	(f)	(g)	(h)	(i)	(j)	(k)
Key no.	GC Part Number	Description	No. Off	Makers part number which have a CG number	Maker's old part number which have since been changed	Maker's new part number which DO NOT have a GC number	M B F	Original Supplier	Original Supplier part number	Retail price excl. VAT
60		Fan	1			BI1313 102	B	EBM PAPST	NRG118-080	
61		Detection electrode	1			BI1313 104	M			
62	E90-690	Wall mounting plate	1	BI1084 113			M			
63		Pipe 22 mm dia c.h.	1			BI1164 108	M			
64		Pipe 22 mm dia c.h.	1			BI1164 109	M			
65		Pipe 22 mm dia gas	2			BI1164 102	M			
66	E83-138	Tap 3/4" - gas	1	BI1084 100			B			
67		Pipe 22 mm dia c.h.	1			BI1164 110	M			
68		Remote/External temp. probe terminal block	1			BI1805 107	B	Odoardo Korner	OK-433/6-NY-LP-SPM	
69		Electric supply/room thermostat terminal block	1			BI2035 108	B	Odoardo Korner	OK-433-FV-LP-SPM 06	
70	E23-792	Fuse 2 AF 250VAC 5x20	2	BI1165 112			B			
71		Main electronic control - ignition p.c.b. (replacement for discontinued BI2035 113)	1			BI2035 100	M			
72		Control panel box	1			BI2035 102	M			
73		Control panel lid up to April 2011	1			BI2035 109	M			
		Control panel lid from May 2011	1			BI2195 100	M			
74		Control panel electronic p.c.b. up to serial no 055050114	1			BI2035 101	M			
		Control panel electronic p.c.b. from serial no 055060114	1			BI2195 113	M			
75		Control panel bracket	1			BI2035 104	M			
76		Cable gland	3			BI2035 106	M			
77		Main electronic p.c.b. box	1			BI2035 107	M			
78		Sensors cable	1			BI2045 112	M			
79		Ignition electrode earth cable	1			BI2045 102	M			
80		Electricity supply and electrical equipment to 230V cable	1			BI2045 110	M			
81		Earth wiring	1			BI2045 111	M			

# CONTINUATION SHEET

Sheet 5 of 5Appliance number(s) 41-583-14, 41-583-15, 41-583-16, 41-583-17

(a)	(b)	(c)	(d)	(e)	(f)	(g)	(h)	(i)	(j)	(k)
Key no.	GC Part Number	Description	No. Off	Makers part number which have a CG number	Maker's old part number which have since been changed	Maker's new part number which DO NOT have a GC number	M B F	Original Supplier	Original Supplier part number	Retail price excl. VAT
82		Time switch cable	1			BI2045 104	M			
83		Main electronic control p.c.b. – Control panel electronic	1			BI2045 106	M			
		p.c.b. controls wiring								
84	169-110	Flue pipe gasket	1	BI1016 104			M			
85	H40-757	Twin flue cover plate	2	BI1366 114			M			
86	E01-184	Gasket – Air intake twin kit	2	BI1016 101			M			
87		Side case panel	2			BI1556 106	M			
88		Front case panel	1			BI1556 105	M			
89	405-274	Washer zinc plated 5,5x15 mm	2	BI1556 102			F			
90	402-230	Screw M5x30 – BZP Pan head recessed	2	KI1093 120			F			
91	H21-070	Air restrictor d. 50	1	BI1406 115			M			
92		Dummy jumper cable	1			BI2265 112	M			