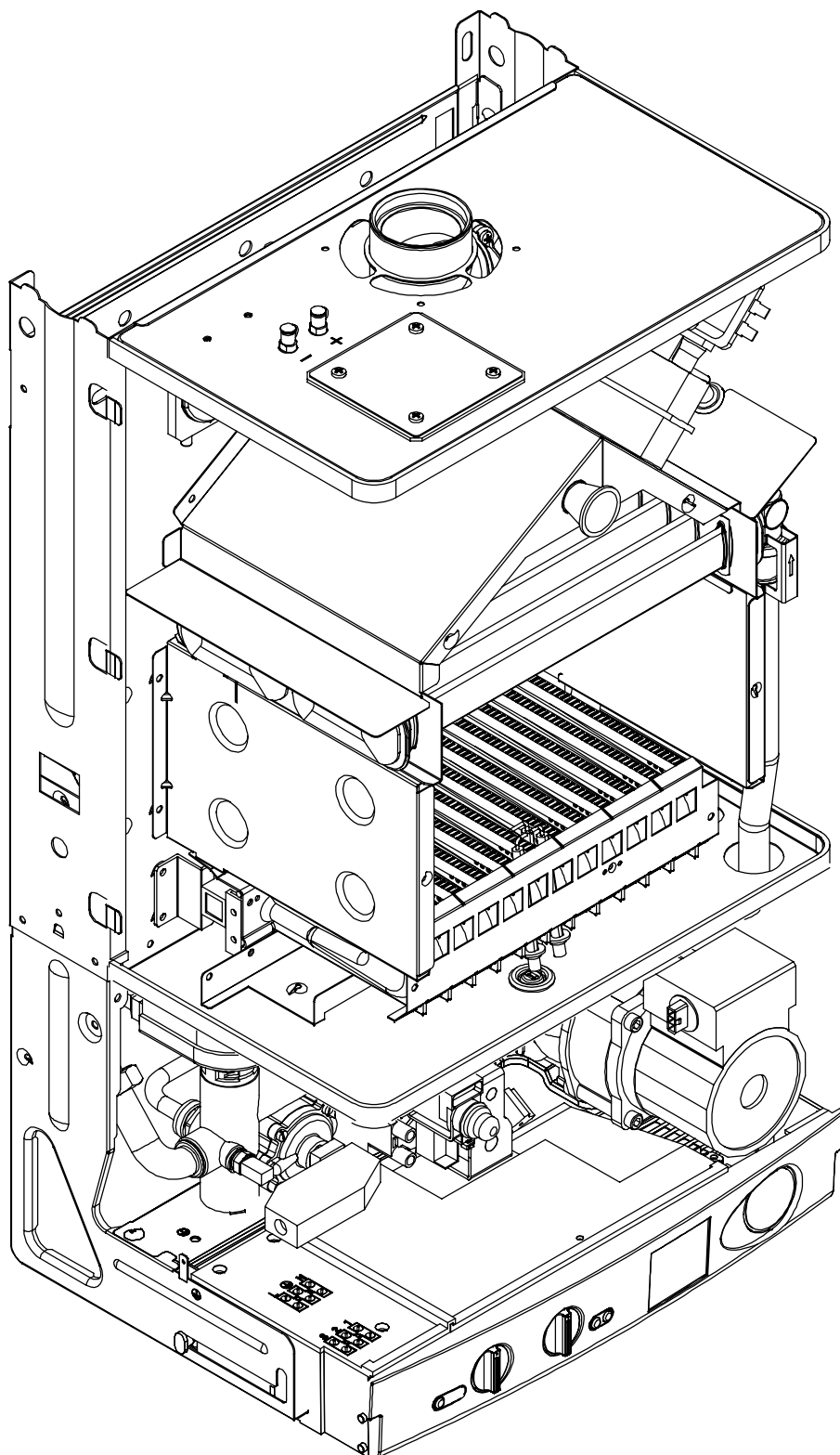


M90E.24S
M90E.28S
M90E.32S

47-970-17
47-970-18
47-970-21

Overall view

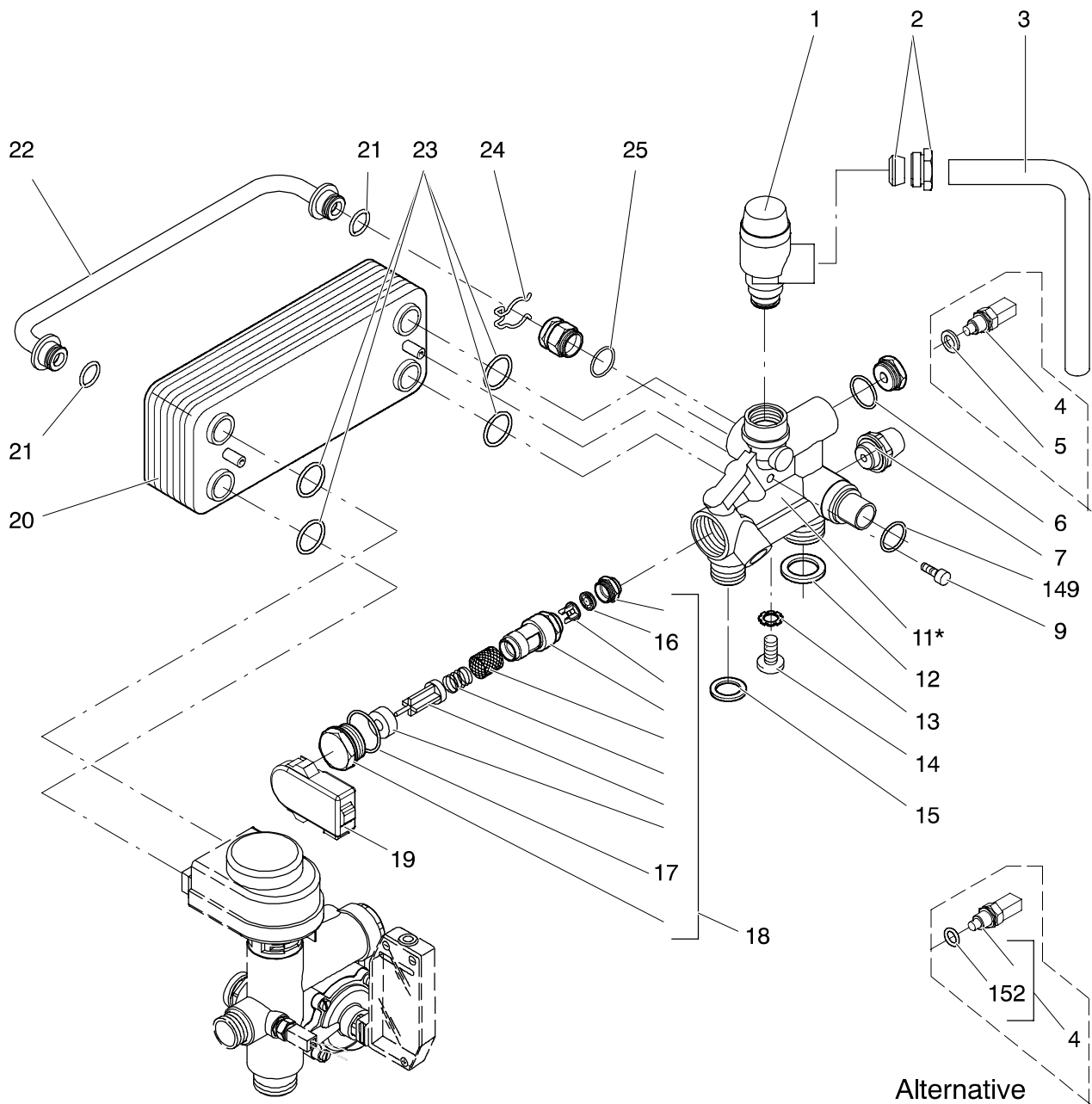
DATA BADGE: inner side of left case panel



M90E.24S
M90E.28S
M90E.32S

47-970-17
47-970-18
47-970-21

C.h. return group and d.h.w. heat exchanger
up to serial no. N124501006

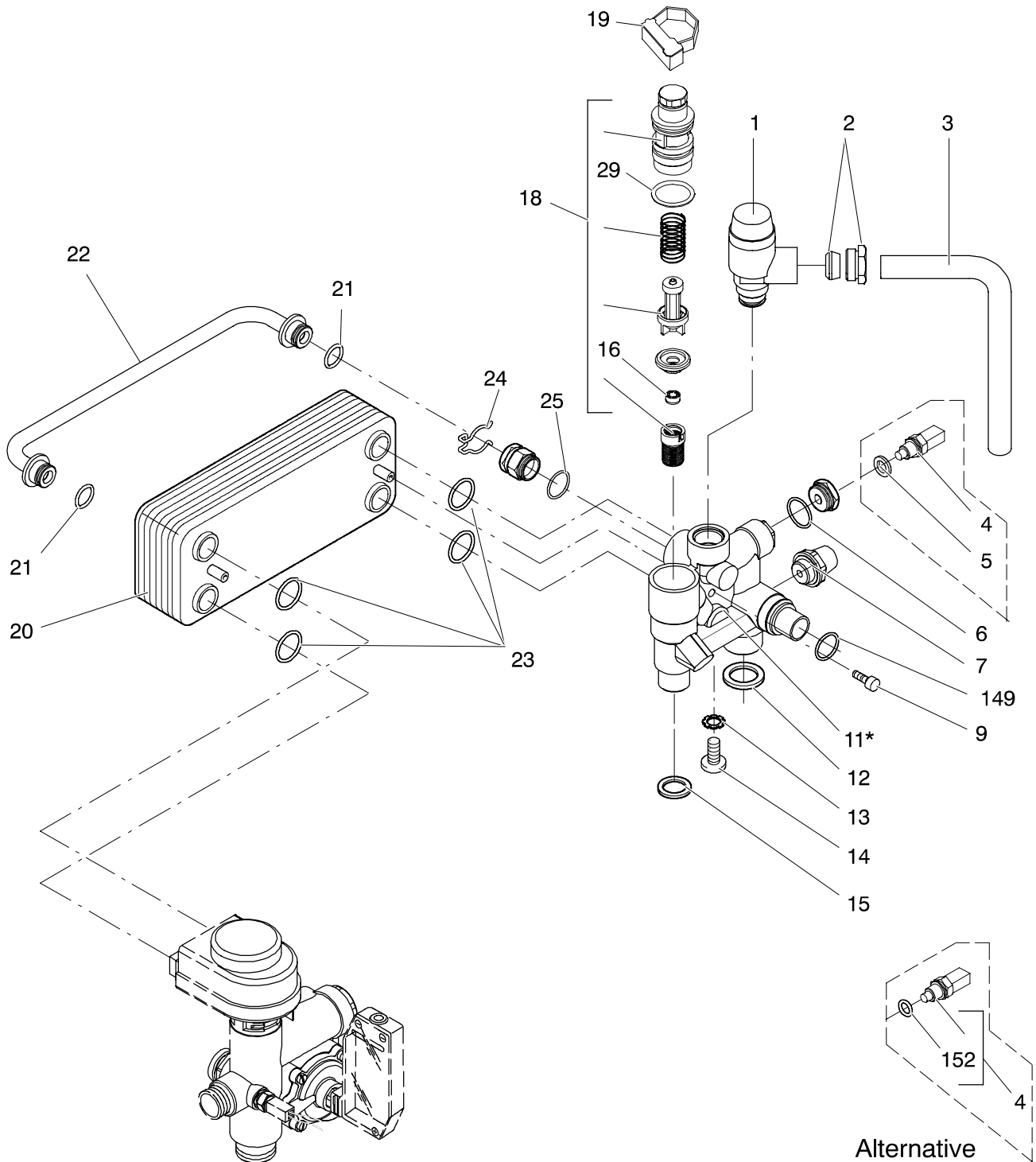


* Includes items 6, 18, 25

M90E.24S
M90E.28S

47-970-17
47-970-18

C.h. return group and d.h.w. heat exchanger
from serial no. N124511006

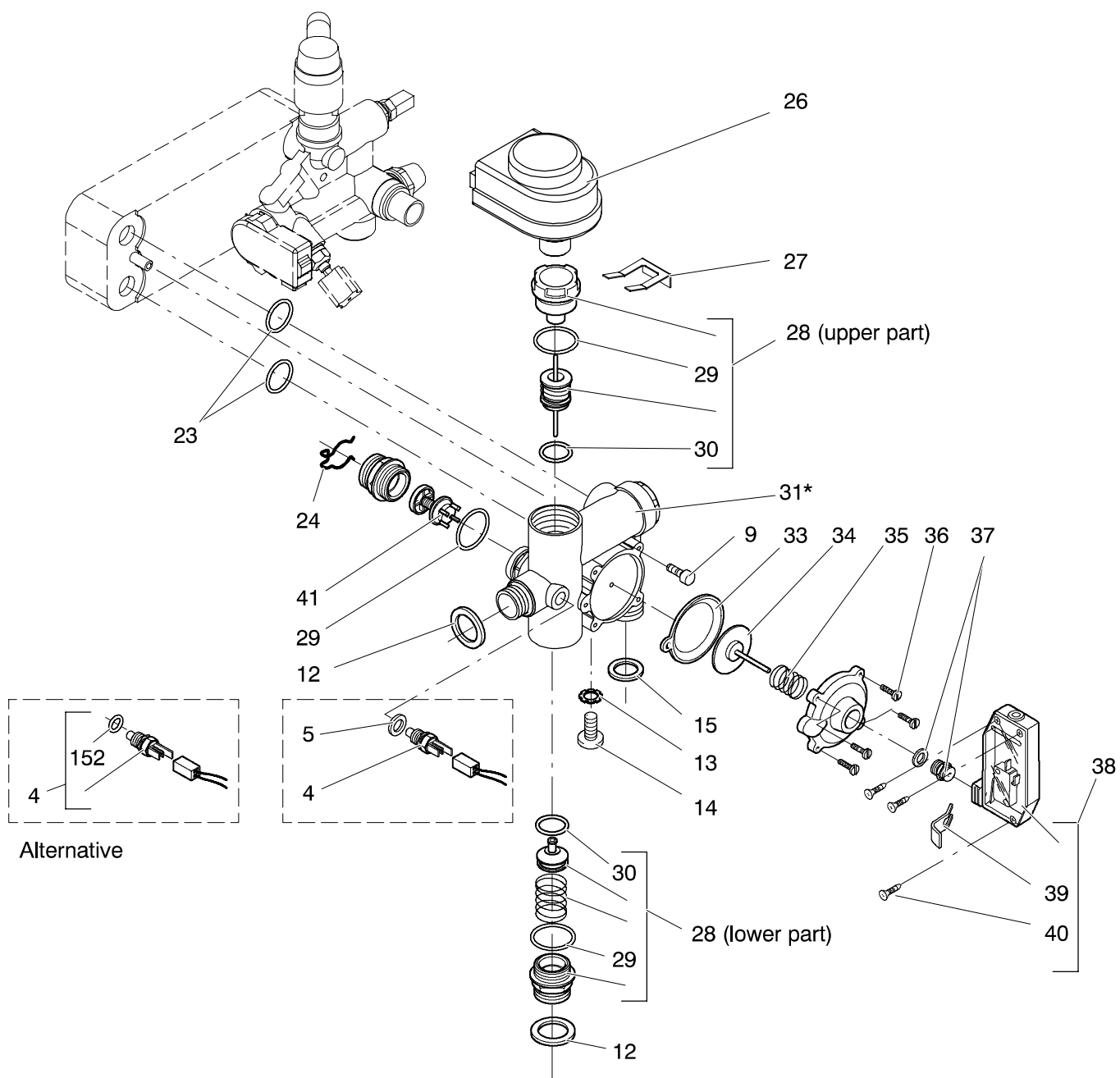


* Includes items 6, 18, 25

M90E.24S
M90E.28S
M90E.32S

47-970-17
47-970-18
47-970-21

C.h. flow group and three way diverter valve

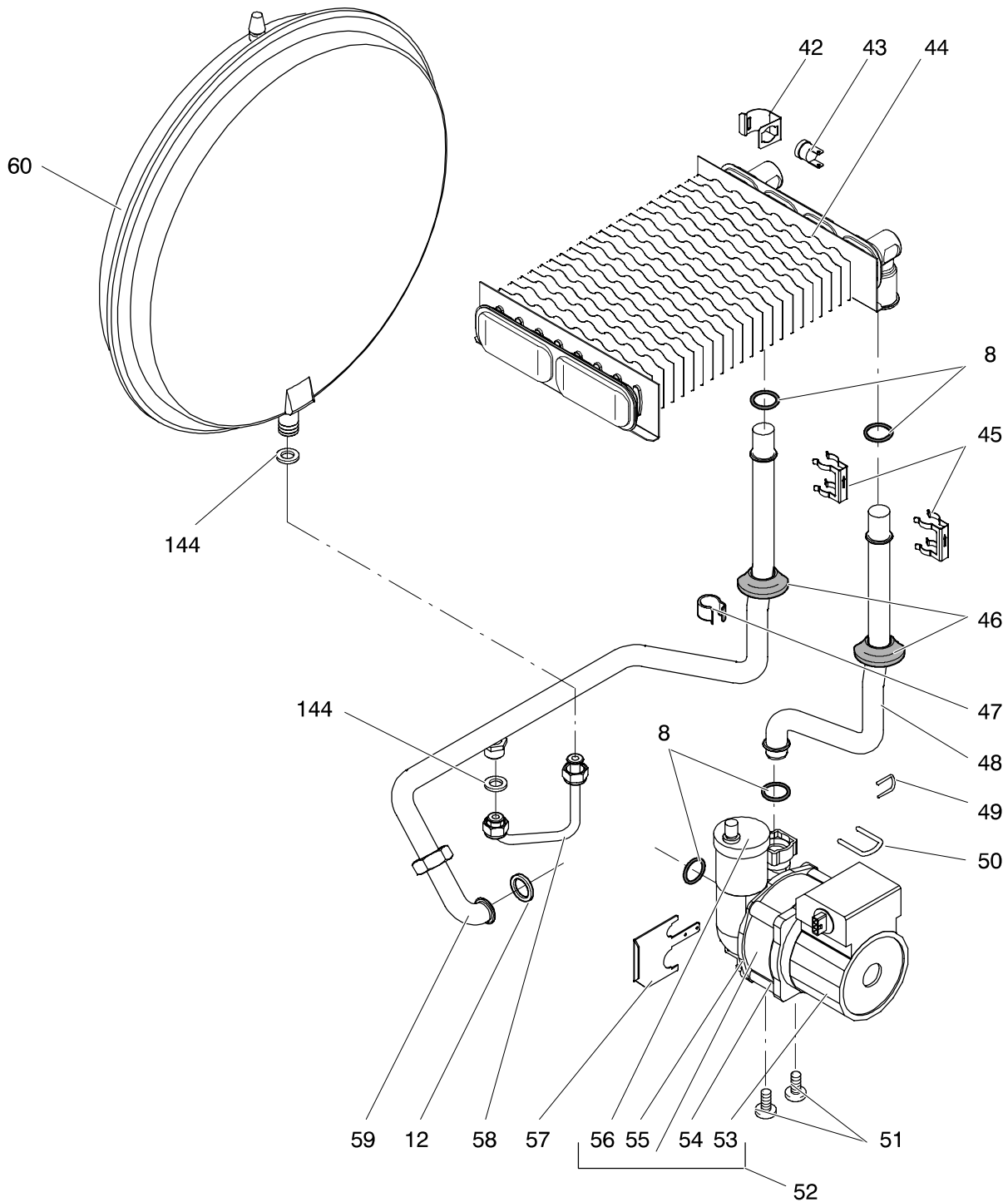


* Includes items 28, 33, 34, 35, 36, 37, 29, 41

M90E.24S
M90E.28S
M90E.32S

47-970-17
47-970-18
47-970-21

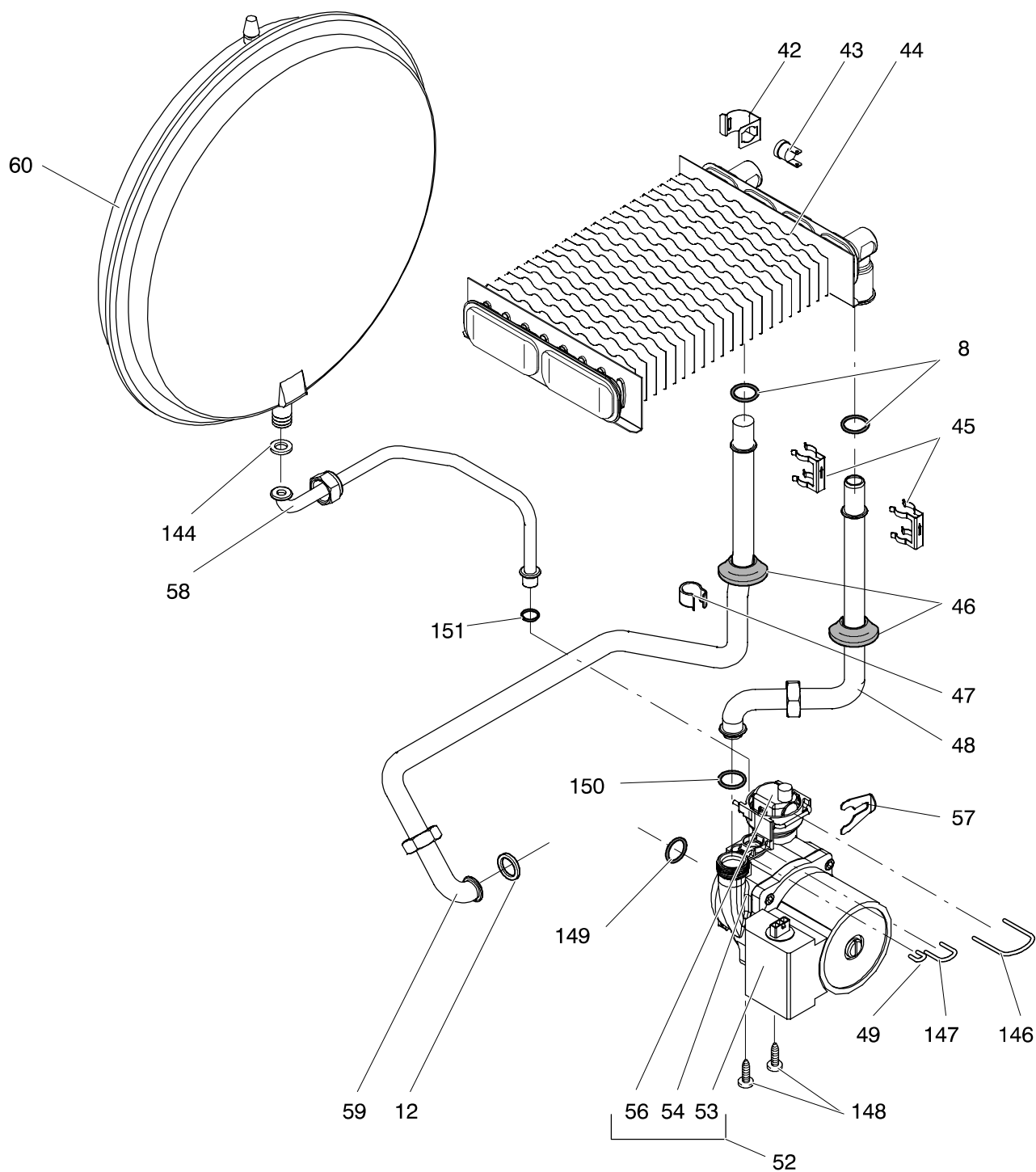
Pump and main circuit assembly
up to serial no. N024590604



M90E.24S
M90E.28S
M90E.32S

47-970-17
47-970-18
47-970-21

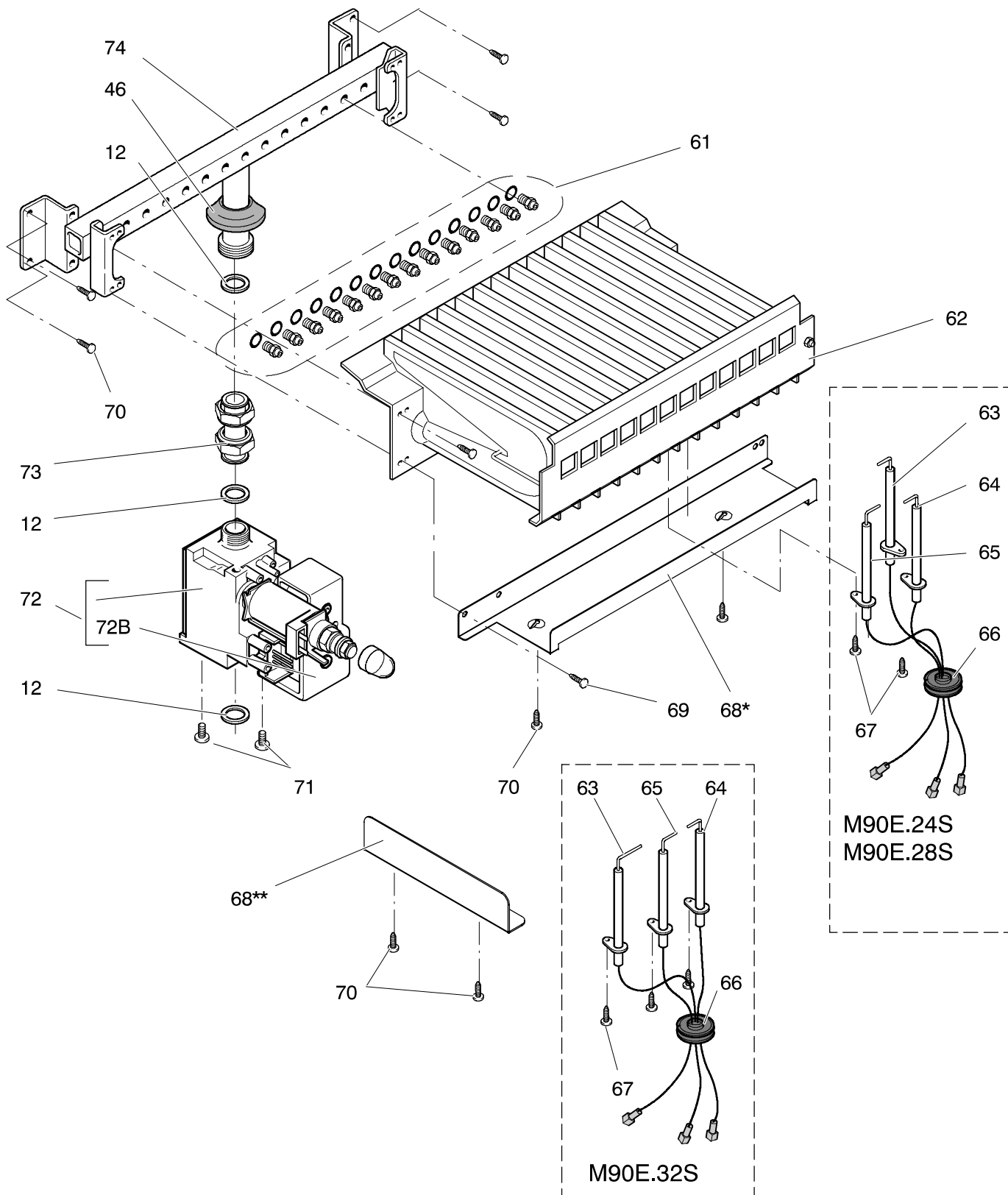
Pump and main circuit assembly
from serial no. N024600604



M90E.24S
M90E.28S
M90E.32S

47-970-17
47-970-18
47-970-21

Gas assembly



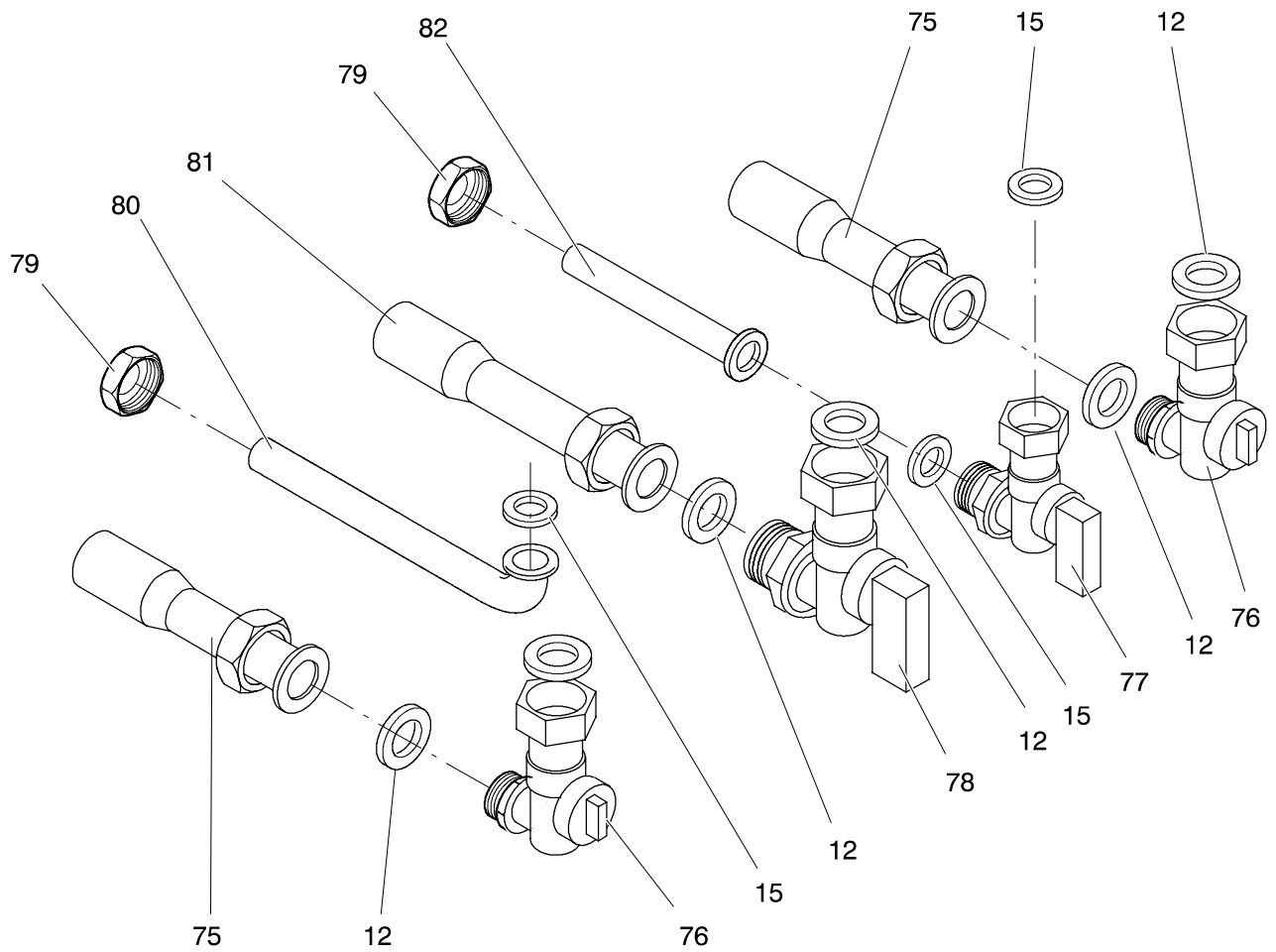
* For models M90E.28S

** For models M90E.32S

M90E.24S
M90E.28S
M90E.32S

47-970-17
47-970-18
47-970-21

Valves and connection pipes

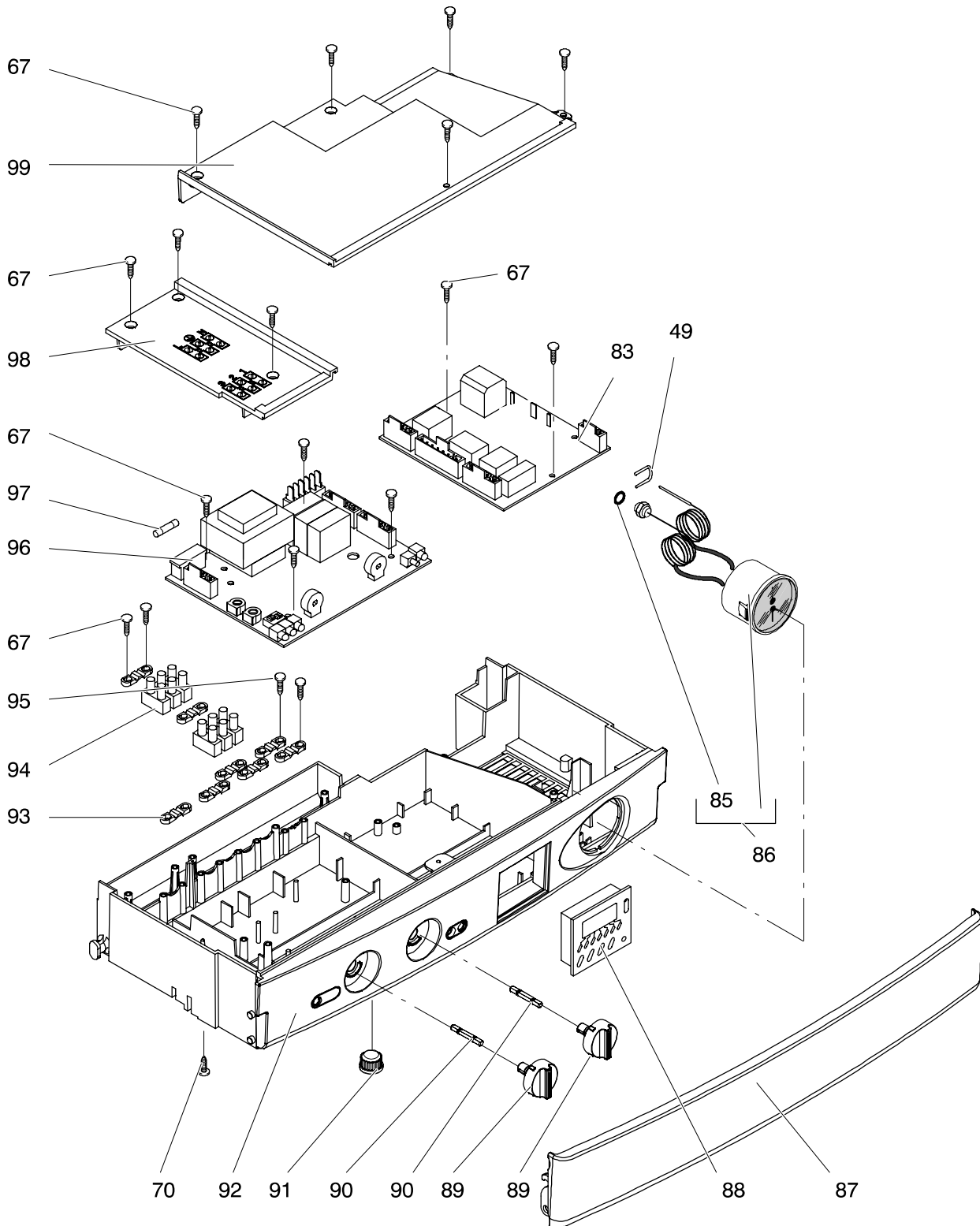


M90E.24S
M90E.28S
M90E.32S

47-970-17
47-970-18
47-970-21

Control panel and ignition device

up to serial no. N124501006

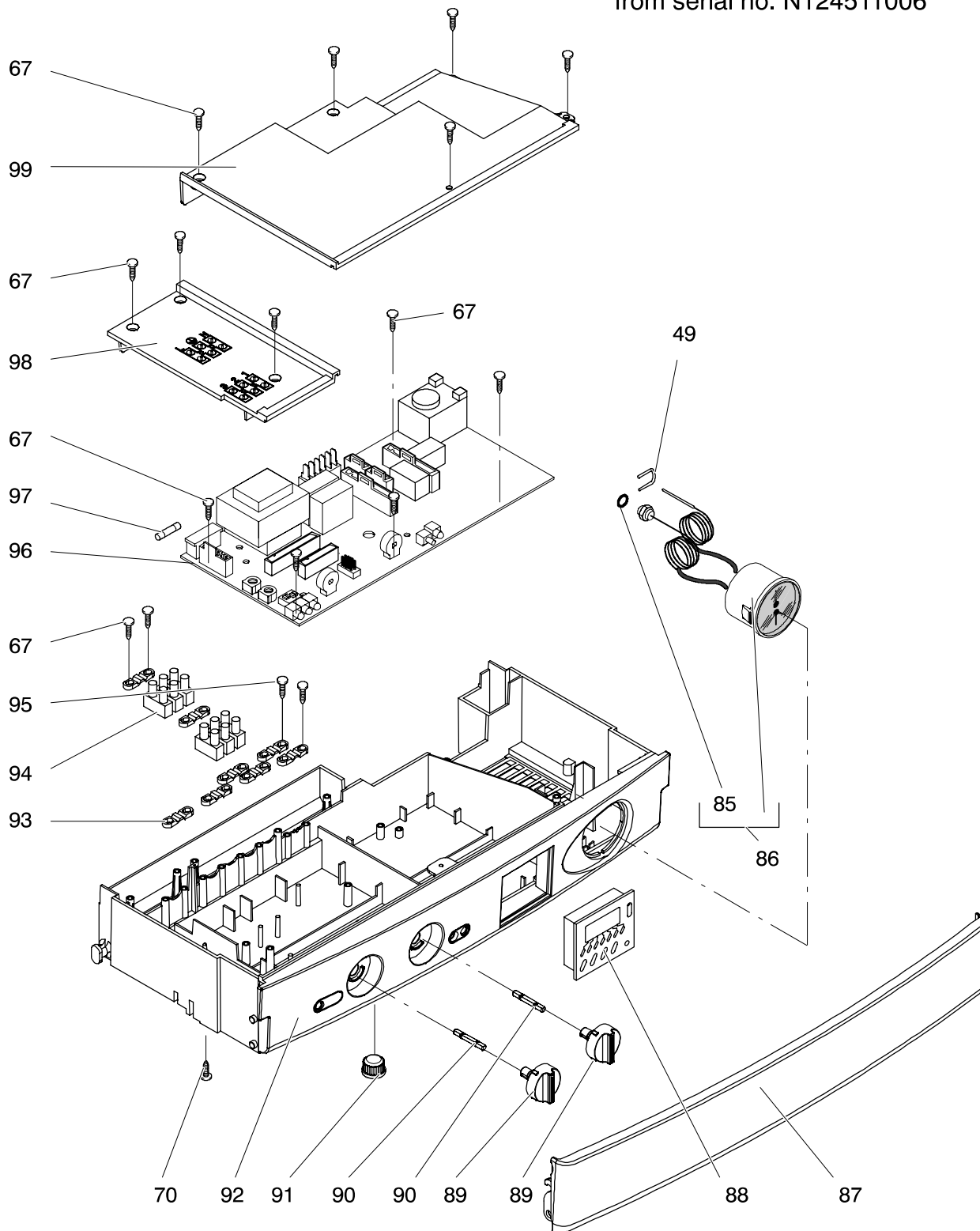


M90E.24S
M90E.28S
M90E.32S

47-970-17
47-970-18
47-970-21

Control panel and ignition device

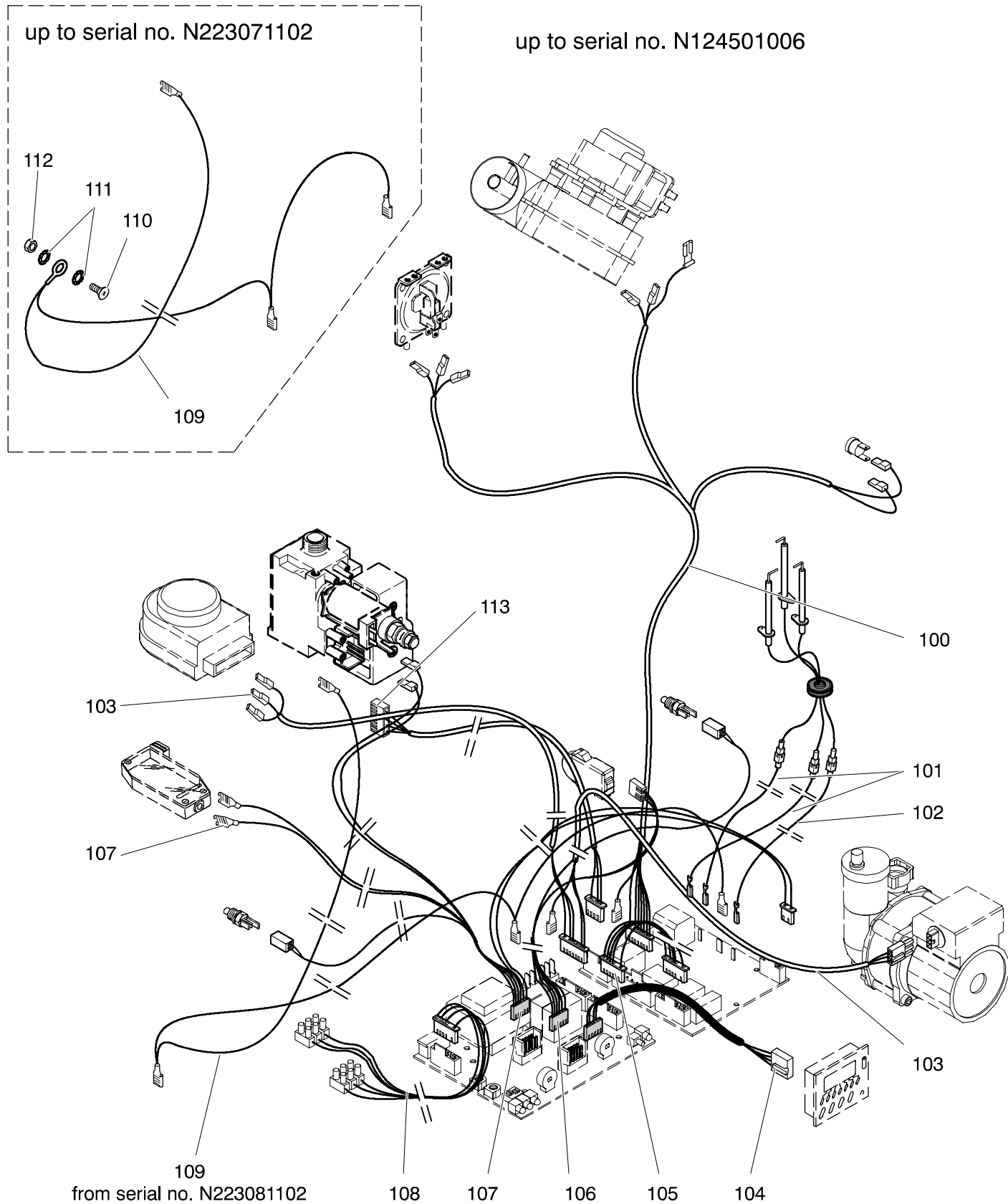
from serial no. N124511006



M90E.24S
M90E.28S
M90E.32S

47-970-17
47-970-18
47-970-21

Wiring

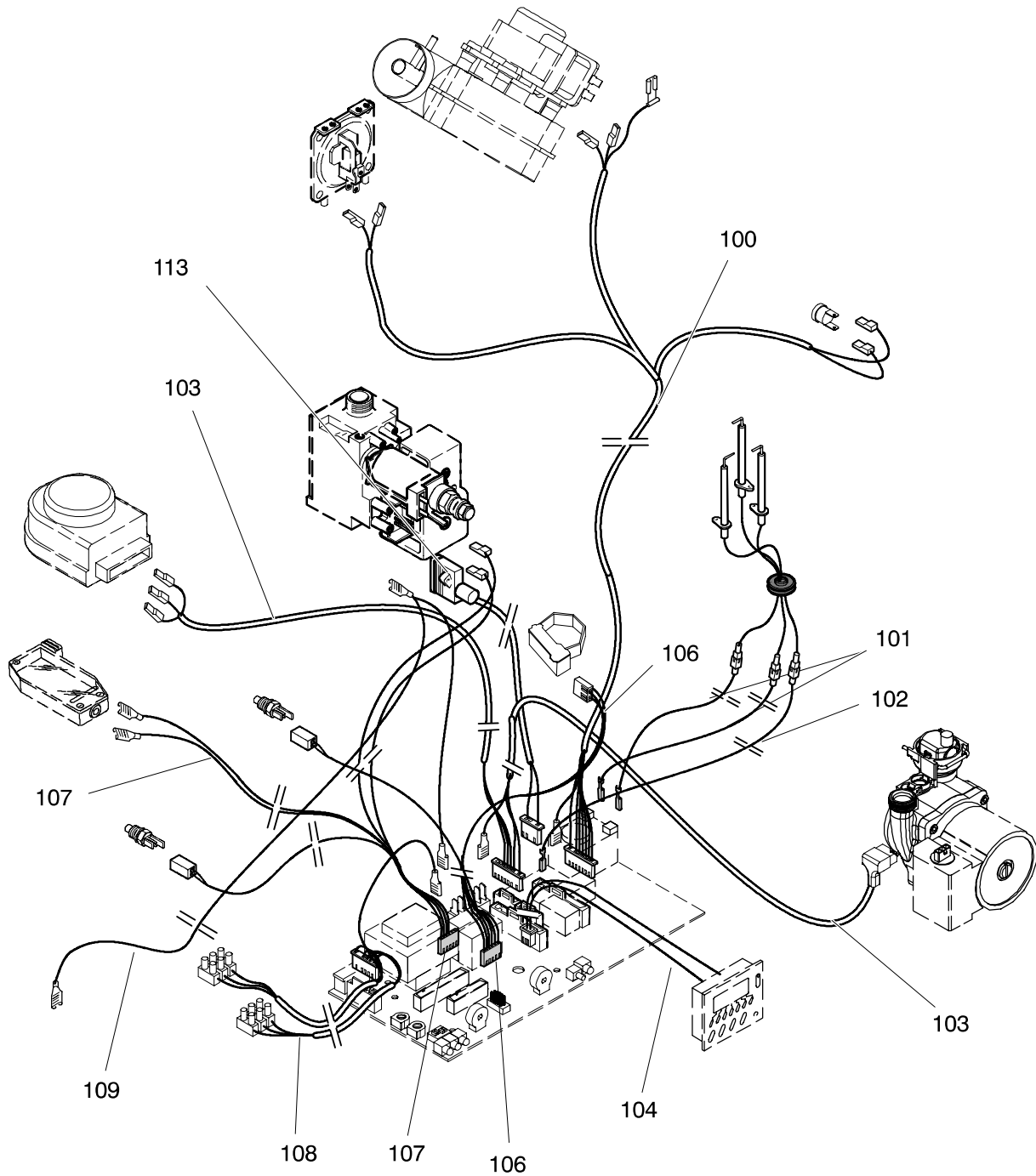


M90E.24S
M90E.28S
M90E.32S

47-970-17
47-970-18
47-970-21

Wiring

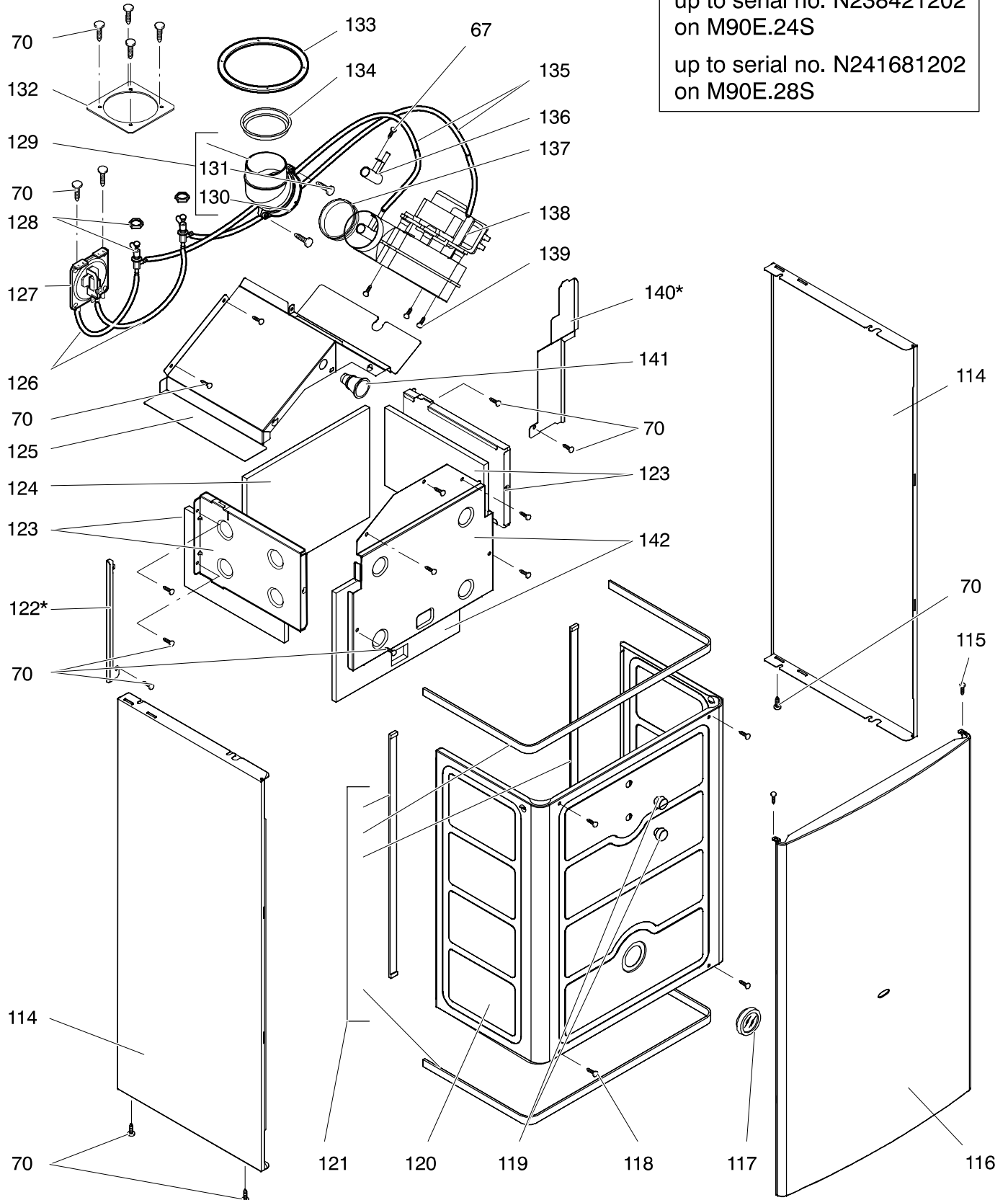
from serial no. N124511006



M90E.24S
M90E.28S

47-970-17
47-970-18

Fan, combustion chamber and case panels

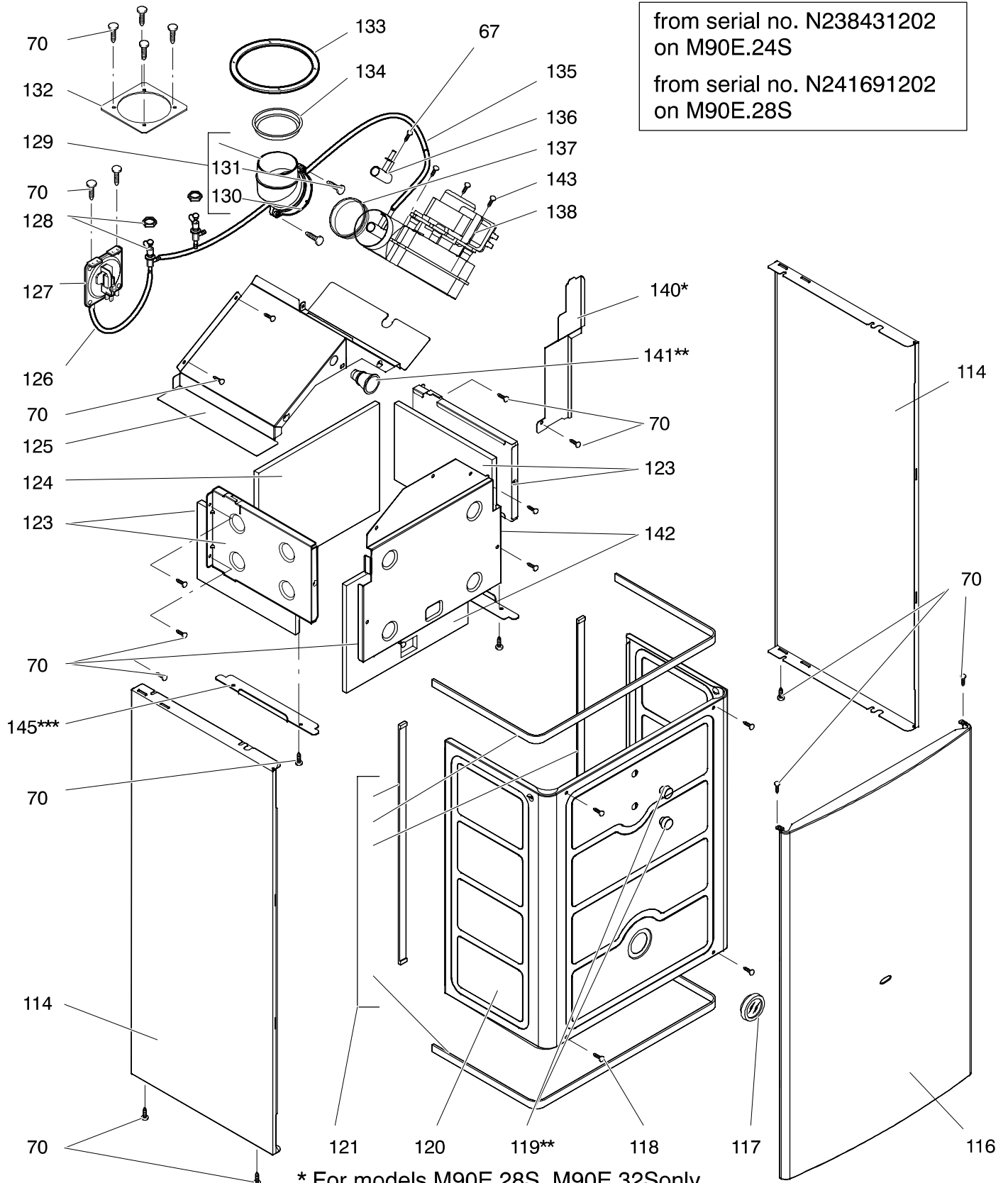


* For model M90E.28S only

M90E.24S
M90E.28S
M90E.32S

47-970-17
47-970-18
47-970-21

Fan, combustion chamber and case panels



from serial no. N238431202
on M90E.24S
from serial no. N241691202
on M90E.28S

* For models M90E.28S, M90E.32S only
** Not for model M90E.32S
*** For model M90E.32S only

Date _____

Sheet 1 of 13Manufacturer Biasi SpA – ItalyAppliance(s) M90E.24S M90E.28S M90E.32SGC Appliance Number(s) 47-970-17 47-970-18 47-970-21

Contract Name _____

Telephone Number _____

(a)	(b)	(c)	(d)	(e)	(f)	(g)	(h)	(i)	(j)	(k)
Key no.	GC Part Number	Description	No. Off	Makers part number which have a CG number	Maker's old part number which have since been changed	Maker's new part number which DO NOT have a GC number	M B F	Original Supplier	Original Supplier part number	Retail price excl. VAT
		Position of data badge: inner side of left case panel								
	E94-736	Instructions booklets set	1	Bl1911 503			M			
		up to serial no. N238421202 on M90E.24S,								
		up to serial no. N241681202 on M90E.28S,								
	H04-068	Instructions booklets set M90E.32S	1	Bl1911 506			M			
		from serial no. N238431202 on M90E.24S								
		from serial no. N241691202 on M90E.28S								
		up to serial no. N024590604 for all the models								
		Instructions booklets set from serial no. N024600604 for all	1			Bl1911 511	M			
		the models								
1	E83-013	Safety valve 3 bar	1	Bl1131 100			B	Watts Interme – Caldaro Italy	3 bar	
								Orkli (alternative)	3 bar	
2	E23-759	Safety valve connection	1	Bl1001 127			M			
3	E83-015	Safety valve connection pipe	1	Bl1131 102			M			
3 A	H05-158	Safety valve connection pipe	1	Bl1131 106			M			
		(replacement for discontinued Bl1131 102)								
4	164-026	Temperature probe (special)	2	Bl1001 117			M			
5	164-025	Flat gasket 3/8" O.D 15 mm, i.d. 9.7 mm	2	Bl1001 109			M			
6	E00-679	O-ring gasket 1,78x15,6	1	Bl1001 131			M			
7	E00-669	Drainage valve	1	Bl1011 104			B	Watts Interme – Caldaro Italy	RSR8 1/4"	
8	169-025	O-ring gasket 17,04x3,53 up to serial no. N024590604	5	Kl1043 114			M			
8	169-025	O-ring gasket 17,04x3,53 from serial no. N024600604	2	Kl1043 114			M			
9	E00-671	Screw M5x16 – Hexagon socket cap	2	Bl1001 125			F			
11	E83-016	Return group kit up to serial no. N124501006	1	Bl1131 501			M			
		Return group kit from serial no. N124511006	1			Bl1131 501	M			

CONTINUATION SHEETSheet 2 of 13Appliance number(s) 47-970-17 47-970-18 47-970-21

(a)	(b)	(c)	(d)	(e)	(f)	(g)	(h)	(i)	(j)	(k)
Key no.	GC Part Number	Description	No. Off	Makers part number which have a CG number	Maker's old part number which have since been changed	Maker's new part number which DO NOT have a GC number	M B F	Original Supplier	Original Supplier part number	Retail price excl. VAT
12	169-033	Flat gasket 3/4"	9	BI1001 108			M			
13	E23-757	Toothed lock washer external 6,4 mm	2	BI1001 124			F			
14	E00-670	Screw M6x8 - BZP RPH	2	BI1001 123			F			
15	169-141	Gasket 1/2"	3	BI1001 106			M			
16	E83-018	Flow limiter 10 Litres/min	1	BI1091 102			B	Acqua Flow		
16 A	E83-019	Flow limiter 12 Litres/min	1	BI1091 103			B	Acqua Flow		
17	E00-678	O-ring gasket 2,62x20,63	1	BI1001 130			M			
18	E83-081	Magnetic flow switch and filter kit up to serial no. N124501006	1	BI1091 502			M			
	H32-550	Magnetic flow switch and filter kit from serial no. N124511006	1	BI1271 501			M			
19	E83-082	D.h.w. flow switch up to serial no. N124501006	1	BI1091 104			M			
	H32-551	D.h.w. flow switch from serial no. N124511006	1	BI1271 101			M			
20	E01-204	Exchanger DHW - M90E.24S	1	BI1001 101			M			
20 A	E01-205	Exchanger DHW - M90E.28S	1	BI1001 102			M			
20 B	H05-161	Exchanger DHW - M90E.32S	1	BI1161 100			M			
21	E00-668	O-ring gasket 1,78x12,42 by-pass pipe	2	BI1001 115			M			
22	E83-083	By-pass pipe	1	BI1131 101			M			
23	169-060	O-ring gasket 18,64x3,53	4	KI1043 144			M			
24	E00-672	By-pass pipe fixing fork	2	BI1001 111			M			
25	E00-676	O-ring gasket 1,78x14	1	BI1001 129			M			
26	E83-086	Diverter valve actuator	1	BI1101 102			B	Elbi International SpA Collegno italy	1650/6/0	
27	E83-090	Diverter valve actuator fixing spring	1	BI1101 101			M			
28	E83-091	Diverter valve kit	1	BI1141 501			M			
29	E00-680	O-ring gasket 2,62x23,47	3	BI1011 107			M			

CONTINUATION SHEETSheet 3 of 13Appliance number(s) 47-970-17 47-970-18 47-970-21

(a)	(b)	(c)	(d)	(e)	(f)	(g)	(h)	(i)	(j)	(k)
Key no.	GC Part Number	Description	No. Off	Makers part number which have a CG number	Maker's old part number which have since been changed	Maker's new part number which DO NOT have a GC number	M B F	Original Supplier	Original Supplier part number	Retail price excl. VAT
30	E83-092	O-ring gasket 2,7x13,6	2	BI1011 117			M			
31	E83-095	Flow group kit	1	BI1141 500			M			
33	E00-688	Central heating pressure switch membrane	1	BI1011 103			M			
34	E00-687	Central heating pressure switch disk	1	BI1011 111			M			
35	E00-686	Central heating pressure switch spring	1	BI1011 110			M			
36	E00-685	Screw M4x12 mm Stainless steel SCH	4	BI1011 109			F			
37	E00-681	Microswitch guide bush	1	BI1011 502			M			
38	E00-684	Microswitch kit	1	BI1011 505			M			
39	E00-683	Microswitch box fixing clip	1	BI1011 105			M			
40	E00-682	Screw 2,9x13 mm AB self tapping BZP - RCH	3	BI1011 108			F			
41	E00-689	By-pass kit	1	BI1011 501			M			
42	E94-723	Overheat thermostat fixing clip	1	BI1182 100			M			
43	E83-101	Overheat thermostat	1	BI1172 105			B	Elth	261 105	
								Texas instruments (Klixon) alternative	1NT	
44	E94-579	Main exchanger M90E.24S	1	BI1182 101			M			
		up to serial no. N224430303								
44	H03-714	Main exchanger M90E.24S	1	BI1202 101			M			
		from serial no. N224440303								
44 A	E94-580	Main exchanger M90E.28S	1	BI1182 102			M			
		up to serial no. N255260203								
44 A	H03-716	Main exchanger M90E.32S	1	BI1202 102			M			
		from serial no. N255270203 on M90E.28S								
44 B	H05-174	Main exchanger M90E.32S	1	BI1222 100			m			
		Part withdrawn November 2003, see BI1202 102								
45	E94-737	Main exchanger connection clip	2	BI1182 106			M			

CONTINUATION SHEETSheet 4 of 13Appliance number(s) 47-970-17 47-970-18 47-970-21

(a)	(b)	(c)	(d)	(e)	(f)	(g)	(h)	(i)	(j)	(k)
Key no.	GC Part Number	Description	No. Off	Makers part number which have a CG number	Maker's old part number which have since been changed	Maker's new part number which DO NOT have a GC number	M B F	Original Supplier	Original Supplier part number	Retail price excl. VAT
46	169-104	Grommet	3	BI1002 113			M			
47	169-045	Probe holder	1	BI1105 108			M			
48	E94-725	Main exchanger inlet pipe	1	BI1182 103			M			
		up to serial no. N224430303 on M90E.24S								
		up to serial no. N255260203 on M90E.28S								
48	H03-718	Main exchanger inlet pipe	1	BI1202 103			M			
		from serial no. N224440303 up to serial no. N024590604								
		on M90E.24S								
		from serial no. N255270203 up to serial no. N024590604								
		on M90E.28S								
		up to serial no. N024590604 on M90E.32S								
48	H23-005	Main exchanger inlet pipe from serial no. N024600604 for	1	BI1272 102			M			
		all the models								
49	169-040	Fork	1	KI1042 115			M			
50	169-039	Fork	1	KI1042 120			M			
51	402-325	Screw M6x10 - BZP RPH	2	BI1172 115			F			
52	E83-111	Pump (complete)	1	BI1172 104			M			
52 A	H04-218	Pump (complete) up to serial no. N024590604	1	BI1222 101			M			
		(replacement for discontinued BI1172 104)								
52 A	H23-009	Pump (complete) from serial no. N024600604	1	BI1272 100			M			
53	E83-113	Pump (motor)	1	BI1172 114			B	Wilo	NFHUL 15/5	
53 A	H04-220	Pump (motor) up to serial no. N024590604	1	BI1222 102			B	Wilo	NFHUL 15/5	
		(replacement for discontinued BI1172 114)								
53 A	H23-012	Pump (motor) from serial no. N024600604	1	BI1272 101			B	Wilo	NFSL 12/5	
54	E83-114	Pump gasket (front)	1	BI1172 113			M			

CONTINUATION SHEETSheet 5 of 13Appliance number(s) 47-970-17 47-970-18 47-970-21

(a)	(b)	(c)	(d)	(e)	(f)	(g)	(h)	(i)	(j)	(k)
Key no.	GC Part Number	Description	No. Off	Makers part number which have a CG number	Maker's old part number which have since been changed	Maker's new part number which DO NOT have a GC number	M B F	Original Supplier	Original Supplier part number	Retail price excl. VAT
55	E83-116	Pump gasket (rear) up to serial no. N024590604	1	BI1172 112			M			
56	E83-117	Automatic air purger valve up to serial no. N024590604	1	BI1172 111			M			
56	H20-986	Automatic air purger valve from serial no. N024600604	1	BI1212 107			M			
57	E83-118	Pump connection fork up to serial no. N024590604	1	BI1172 110			M			
57	H20-987	Pump connection fork from serial no. N024600604	1	BI1262 116			M			
58	E83-119	Expansion vessel connection pipe up to serial no. N024590604	1	BI1172 109			M			
58	H23-014	Expansion vessel connection pipe from serial no. N024600604	1	BI1272 103			M			
59	E94-726	Main exchanger outlet pipe up to serial no. N224430303 on M90E.24S up to serial no. N255260203 on M90E.28S	1	BI1182 104			M			
59	H03-720	Main exchanger outlet pipe from serial no. N224440303 on M90E.24S from serial no. N255270203 on M90E.28S up to serial no. N024590604 for all the models	1	BI1202 104			M			
59	H23-015	Main exchanger outlet pipe from serial no. N024600604 for all the models	1	BI1212 110			M			
60	E83-121	Expansion vessel	1	BI1172 103			B	CIMM Srl - Castello di Godego Italy Zilmet - Italy (alternative)	CP387 6L 13C0000600	
61	169-069	Injectors with gaskets 130 - NG M90E.24S, M90E.28S	14	KI1064 505			B	Polidoro		
61 A	169-070	Injectors with gaskets 77 - LPG M90E.24S, M90E.28S	14	KI1064 506			B	Polidoro		
61 B	H05-180	Injectors with gaskets 130 - NG M90E.32S	16	BI1193 500			B	Polidoro		
61 C	H08-596	Injectors with gaskets 77 - LPG M90E.32S	16	BI1193 501			B	Polidoro		
62	173-148	Burner M90E.24S	1	KI1004 102			B	Polidoro		

CONTINUATION SHEETSheet 6 of 13Appliance number(s) 47-970-17 47-970-18 47-970-21

(a)	(b)	(c)	(d)	(e)	(f)	(g)	(h)	(i)	(j)	(k)
Key no.	GC Part Number	Description	No. Off	Makers part number which have a CG number	Maker's old part number which have since been changed	Maker's new part number which DO NOT have a GC number	M B F	Original Supplier	Original Supplier part number	Retail price excl. VAT
62 A	173-149	Burner M90E.28S	1	KI1004 147			B	Polidoro		
62 B	H05-182	Burner M90E.32S	1	Bl1193 100			B	Polidoro		
63	E83-122	Detection electrode M90E.24S, M90E.28S	1	Bl1123 102			M			
63 A	H05-183	Detection electrode M90E.32S	1	Bl1193 104			M			
64	E83-126	Ignition electrode - right M90E.24S, M90E.28S	1	Bl1123 103			M			
64 A	H05-185	Ignition electrode - right M90E.32S	1	Bl1193 103			M			
65	E83-127	Ignition electrode - left M90E.24S, M90E.28S	1	Bl1123 101			M			
65 A	H05-186	Ignition electrode - left M90E.32S	1	Bl1193 102			M			
66	169-125	Grommet	1	Bl1002 115			M			
67	409-736	Tapping screw 3,5x9,5 recessed pan head	24	Bl1013 115			F			
68	E83-128	Air deflector M90E.24S	1	Bl1183 102			M			
		up to serial no. N241681202 on M90E.28S								
68	H03-681	Air deflector from serial no. N241691202 on M90E.28S	1	Bl1183 109			M			
68 A	H05-196	Air deflector on M90E.32S	1	Bl1193 106			M			
69	409-531	Taptite screw M4x8 Recessed pan head Hardened steel	4	Bl1013 111			F			
		Bright Zinc Plated BS3382 Clear passivated and lanolin								
		Dipped								
70	409-722	Tapping Screw ISO No8 B 4,2x9,5 Recessed Pan Head	34	Bl1013 110			F			
		Hardened Steel BS4174 Bright Zinc plate BS1706 Clear								
		Passivated								
71	402-124	Machine Screw M4x8 mm Recessed pan head Mild steel	2	Bl1013 114			F			
		BS4183 Bright zinc plate BS3382 Clear passiv.								
72	E83-129	Gas valve	1	Bl1093 104			B	Sit	845 Sigma	
72 A	H03-746	Gas valve	1	Bl1193 105			B	Sit	845 Sigma	
		(replacement for discontinued Bl1093104)								

CONTINUATION SHEETSheet 7 of 13Appliance number(s) 47-970-17 47-970-18 47-970-21

(a)	(b)	(c)	(d)	(e)	(f)	(g)	(h)	(i)	(j)	(k)
Key no.	GC Part Number	Description	No. Off	Makers part number which have a CG number	Maker's old part number which have since been changed	Maker's new part number which DO NOT have a GC number	M B F	Original Supplier	Original Supplier part number	Retail price excl. VAT
72	B H08-602	Gas valve on-off operator coils		BI1093 107			B	Sit	0.967.158	
73	E83-130	Gas pipe to the manifold	1	BI1183 101			M			
74	E83-131	Gas manifold with injectors NG M90E.24S	1	BI1183 103			B	Polidoro		
74	A E83-132	Gas manifold with injectors LPG M90E.24S	1	BI1183 104			B	Polidoro		
74	B E83-133	Gas manifold with injectors NG M90E.28S	1	BI1183 105			B	Polidoro		
74	C E83-134	Gas manifold with injectors LPG M90E.28S	1	BI1183 106			B	Polidoro		
74	D H05-200	Gas manifold with injectors NG M90E.32S	1	BI1193 107			B	Polidoro		
74	E H08-604	Gas manifold with injectors LPG M90E.32S	1	BI1193 108			B	Polidoro		
75	E83-135	C.h. connection pipe	2	BI1084 110			M			
76	E83-136	Tap 3/4" - c.h.	2	BI1084 105			B			
77	E83-137	Tap 1/2" - d.h.w.	1	BI1084 101			B			
78	E83-138	Tap 3/4" - gas	1	BI1084 100			B			
79	E01-226	Nut 1/2"	2	BI1004 101			M			
80	E83-139	Pipe 15 mm dia (bent) d.h.w.	1	BI1084 109			M			
81	E83-140	Pipe 22 mm dia gas	1	BI1084 111			M			
82	E83-141	Pipe 15 mm dia (straight) d.h.w.	1	BI1084 107			M			
83	E83-142	Full sequence control device	1	BI1305 101			B	Bertelli & Partners	FM30	
85	E83-144	O-ring gasket 1,78 x 6,75	1	BI1475 119			M			
86	E83-145	Temperature-pressure gauge	1	BI1475 108			M			
87	E94-727	Cover panel	1	BI1515 100			M			
88	E94-738	Time switch	1	BI1525 101			B	Flash	Monotron 200 23011	
89	E94-728	Knob	2	BI1515 101			M			
90	E83-149	Shaft	2	BI1475 105			M			
91	E83-150	Control panel plug	1	BI1475 110			M			
92	E94-739	Control panel box up to serial no. N124501006	1	BI1525 100			M			

CONTINUATION SHEETSheet 8 of 13Appliance number(s) 47-970-17 47-970-18 47-970-21

(a)	(b)	(c)	(d)	(e)	(f)	(g)	(h)	(i)	(j)	(k)
Key no.	GC Part Number	Description	No. Off	Makers part number which have a CG number	Maker's old part number which have since been changed	Maker's new part number which DO NOT have a GC number	M B F	Original Supplier	Original Supplier part number	Retail price excl. VAT
92		Control panel box from serial no. N124511006	1			BI1885 121	M			
93	E83-152	Cable holder (replacement for discontinued KI1066 102)	8	KI1066 208			B	Fastpoint S.r.l.	1207.BB01 XS	
94	E83-153	Terminal block	2	BI1475 109			B	Elettrogibi Odoardo Korner (alternative)	PA27 OK-433-FV	
95	409-727	Screw 3,5x16 mm self tap RPH	4	BI1165 101			F			
96	E94-730	Electronic control p.c.b.	1	BI1475 114			M			
96 A	H05-201	Electronic control p.c.b. (replacement for discontinued BI1475114)	1	BI1515 107			M			
96 B		Electronic control p.c.b. (replacement for discontinued BI1515 107) up to serial no. N124501006	1			BI1605 112	M			
96		Electronic control p.c.b . from serial no. N124511006	1			BI1885 101	M			
97	169-083	Fuse 1,6A	1	BI1005 105			B			
98	E83-155	Service panel cover	1	BI1475 111			M			
99	E83-156	Control panel cover	1	BI1475 112			M			
100	E83-159	Fan cable up to serial no. N124501006	1	BI1485 112			M			
100		Fan cable from serial no. N124511006	1			BI1895 100	M			
101	E83-160	Ignition electrode cable	2	BI1485 101			M			
102	E83-161	Flame detection electrode cable	1	BI1485 102			M			
103	E83-162	Pump-diverter valve cable up to serial no. N124501006	1	BI1485 103			M			
103		Pump-diverter valve cable from serial no. N124511006	1			BI1905 101	M			
104	E83-163	Time switch cable	1	BI1485 111			M			
105	E83-164	Electronic control p.c.b.-ignition device connection cable	1	BI1485 104			M			

Sheet 9 of 13

Appliance number(s) 47-970-17 47-970-18 47-970-21

(a)	(b)	(c)	(d)	(e)	(f)	(g)	(h)	(i)	(j)	(k)
Key no.	GC Part Number	Description	No. Off	Makers part number which have a CG number	Maker's old part number which have since been changed	Maker's new part number which DO NOT have a GC number	M B F	Original Supplier	Original Supplier part number	Retail price excl. VAT
106	E83-165	D.h.w. flow switch and temp. probe cable up to serial no. N124501006	1	Bl1485 105			M			
106		D.h.w. flow switch and temp. probe cable from serial no. N124511006	1			Bl1905 100	M			
107	E83-166	C.h. flow switch, temp. probe cable and modulator cable up to serial no. N124501006	1	Bl1485 106			M			
107		C.h. flow switch, temp. probe cable and modulator cable from serial no. N124511006	1			Bl1905 100	M			
108	E83-168	Power supply and external control cable up to serial no. N124501006	1	Bl1485 107			M			
108		Power supply and external control cable from serial no. N124511006	1			Bl1895 105	M			
109	E83-169	Earth wiring (up to serial no. N223071102)	1	Bl1485 108			M			
109	H03-683	Earth wiring (from serial no. N223081102 up to serial no. N124501006)	1	Bl1485 116			M			
109		Earth wiring (from serial no. N124511006)	1			Bl1895 107	M			
110	402-225	Machine Screw M5x10 Recessed Pan Head Mild steel BS4183 Bright zinc plate BS3382 Clear Passivated	1	Bl1035 109			F			
111	164-133	Toothed lock washer external 5,3x10 mm stainless	2	Bl1035 110			F			
112	404-609	Full nut M5 Hexagon Steel grade 8 BS3692 Bright zinc plate BS3382 clear passivated	1	Bl1035 111			F			
113	E83-170	Gas valve cable up to serial no. N124501006	1	Bl1485 109			M			
113		Gas valve cable from serial no. N124511006	1			Bl1905 101	M			
114	E94-731	Side case panel	2	Bl1346 500			M			
115	409-702	Screw 4.2x13 mm AB self tapping RPH BZP	2	Bl1336 115			F			

CONTINUATION SHEETSheet 10 of 13Appliance number(s) 47-970-17 47-970-18 47-970-21

(a)	(b)	(c)	(d)	(e)	(f)	(g)	(h)	(i)	(j)	(k)
Key no.	GC Part Number	Description	No. Off	Makers part number which have a CG number	Maker's old part number which have since been changed	Maker's new part number which DO NOT have a GC number	M B F	Original Supplier	Original Supplier part number	Retail price excl. VAT
116	E94-732	Front case panel	1	Bl1346 501			M			
117	E69-243	Window (glass + rubber frame)	1	Bl1206 118			M			
118	409-747	Screw 4,8x13 mm AB self tapping RPH BZP	4	Bl1336 114			F			
119	E83-174	Sampling point plug	2	Bl1336 110			M			
120	E83-175	Sealed chamber lid	1	Bl1336 100			M			
121	E83-176	Sealed chamber gaskets kit	1	Bl1336 500			M			
122	E83-177	Air deflector left M90E.28S	1	Bl1336 112			M			
123	E83-178	Combustion chamber side panel	2	Bl1326 100			M			
124	E83-180	Combustion chamber rear panel M90E.24S	1	Bl1326 107			M			
124 A	E83-181	Combustion chamber rear panel M90E.28S	1	Bl1326 108			M			
125	E83-182	Flue hood up to serial no. N238421202 on M90E.24S	1	Bl1336 101			M			
125	H03-687	Flue hood from serial no. N238431202 on M90E.24S	1	Bl1366 104			M			
125 A	E83-183	Flue hood up to serial no. N241681202 on M90E.28S	1	Bl1336 102			M			
125 A	H03-688	Flue hood M90E.32S	1	Bl1366 105			M			
		from serial no. N241691202 on M90E.28S								
126	E01-187	Flue pressure switch tube	2	Bl1016 107			M			
		up to serial no. N238421202 on M90E.24S								
		up to serial no. N241681202 on M90E.28S								
126	E01-187	Flue pressure switch tube	1	Bl1016 107			M			
		from serial no. N238431202 on M90E.24S								
		from serial no. N241691202 on M90E.28S								
127	E05-422	Air pressure switch	1	Bl1036 102			B	Yamatake-Honeywell	C6065 1,4 mbar	
		up to serial no. N238421202 on M90E.24S								
127	169-127	Air pressure switch	1	Kl1267 103			B	Yamatake-Honeywell	C6065 0,88 mbar	
		from serial no. N238431202 on M90E.24S						SIT (alternative)	380 0,88 mbar	

CONTINUATION SHEETSheet 11 of 13Appliance number(s) 47-970-17 47-970-18 47-970-21

(a)	(b)	(c)	(d)	(e)	(f)	(g)	(h)	(i)	(j)	(k)
Key no.	GC Part Number	Description	No. Off	Makers part number which have a CG number	Maker's old part number which have since been changed	Maker's new part number which DO NOT have a GC number	M B F	Original Supplier	Original Supplier part number	Retail price excl. VAT
127 A	E83-184	Air pressure switch up to serial no. N241681202 on M90E.28S	1	Bl1256 114			B	Yamatake-Honeywell	C6065 1,6 mbar	
127 A	H03-691	Air pressure switch from serial no. N241691202 on M90E.28S	1	Bl1366 107			B	Yamatake-Honeywell SIT (alternative)	C6065 1,04 mbar 380 1,04 mbar	
127 B	H05-207	Air pressure switch M90E.32S up to serial no. N020800903	1	Bl1376 102			B	Yamatake-Honeywell SIT (alternative)	C6065 1,83 mbar	
127 B	H08-605	Air pressure switch M90E.32S from serial no. N020810903	1	Bl1376 104			B	Yamatake-Honeywell SIT (alternative)	C6065 1,38 mbar	
128	E05-424	Air switch pressure test point	2	Bl1036 101			M			
129	E83-185	Flue elbow (complete)	1	Bl1336 108			M			
130	E83-186	Flue elbow clamp	1	Bl1336 113			M			
131	402-127	Screw M4x16 mm BZP - RPH	2	Bl1015 115			M			
132	E01-184	Gasket - Air intake twin kit	1	Bl1016 101			M			
133	169-110	Flue pipe gasket	1	Bl1016 104			M			
134	E83-187	Flue restrictor ø 47	1	Bl1336 106			M			
134 A	H03-692	Flue restrictor Ø 44 from serial no. N238431202 on M90E.24S from serial no. N241691202 on M90E.28S	1	Bl1366 108			M			
134 B	H05-210	Flue restrictor Ø 50 M90E.32S	1	Bl1376 103			M			
135	E83-188	Venturi device tube up to serial no. N238421202 on M90E.24S up to serial no. N241681202 on M90E.28S	2	Bl1256 101			M			
135	E83-188	Venturi device tube from serial no. N238431202 on M90E.24S from serial no. N241691202 on M90E.28S	1	Bl1256 101			M			

CONTINUATION SHEETSheet 12 of 13Appliance number(s) 47-970-17 47-970-18 47-970-21

(a)	(b)	(c)	(d)	(e)	(f)	(g)	(h)	(i)	(j)	(k)
Key no.	GC Part Number	Description	No. Off	Makers part number which have a CG number	Maker's old part number which have since been changed	Maker's new part number which DO NOT have a GC number	M B F	Original Supplier	Original Supplier part number	Retail price excl. VAT
136	E83-189	Venturi	1	BI1036 108			M			
		up to serial no. N238421202 on M90E.24S								
		up to serial no. N241681202 on M90E.28S								
136	H03-695	Venturi	1	BI1366 100			M			
		from serial no. N238431202 on M90E.24S								
		from serial no. N241691202 on M90E.28S								
137	E83-190	Flue elbow gasket	1	BI1336 103			M			
		up to serial no. N238421202 on M90E.24S								
		up to serial no. N241681202 on M90E.28S								
137	H03-697	Flue elbow gasket	1	BI1366 101			M			
		from serial no. N238431202 on M90E.24S								
		from serial no. N241691202 on M90E.28S								
138	E83-191	Fan, up to serial no. N238421202 on M90E.24S	1	BI1336 104			B	LN di Natalini - Montecassiano Italy		
138	H03-699	Fan, from serial no. N238431202 on M90E.24S	1	BI1366 102			B	FIME	GR02040 39W	
138 A	E83-193	Fan, up to serial no. N241681202 on M90E.28S	1	BI1336 116			B	LN di Natalini - Montecassiano Italy		
138 A	H03-700	Fan, from serial no. N241691202 on M90E.28S	1	BI1366 103			B	FIME	GR02045 47W	
138 B	H05-215	Fan M90E.32S up to serial no. N020800903	1	BI1376 100			B	FIME	GR1740 55W	
138 B	H08-608	Fan M90E.32S from serial no. N020810903	1	BI1376 105			B	FIME	GR02050 60W	
139	409-720	Screw 3,5x6,5 mm AB self tapping BZP - RPH	3	KI1267 104			F			
140	E83-194	Air deflector right M90E.28S, M90E.32S	1	BI1336 111			M			
141	E83-195	Flue sampling point connection	1	BI1336 109			M			
142	E83-196	Combustion chamber front panel M90E.24S	1	BI1326 101			M			
142 A	E83-197	Combustion chamber front panel M90E.32S	1	BI1326 102			M			
		up to serial no. N241681202 on M90E.28S								

CONTINUATION SHEET

(a)	(b)	(c)	(d)	(e)	(f)	(g)	(h)	(i)	(j)	(k)
Key no.	GC Part Number	Description	No. Off number which have a CG number	Makers part number which have a CG number	Maker's old part number which have since been changed	Maker's new part number which DO NOT have a GC number	M B F	Original Supplier	Original Supplier part number	Retail price excl. VAT
142 A	H03-701	Combustion chamber front panel	1	B11366 109			M			
		from serial no. N241691202 on M90E.285								
143	409-721	Screw 4,2x13 mm B self tapping RPH BZP	3	B11366 110			F			
144	H03-727	Flat gasket 3/8" O.D 15 mm, i.d. 8,5 mm	2	B11202 105			M			
		up to serial no. N024590604								
144	H03-727	Flat gasket 3/8" O.D 15 mm, i.d. 8,5 mm	2	B11202 105			M			
145	H05-220	Air deflector M90E.32S	2	B11376 101			M			
146	H20-990	Fork	1	B11262 120			M			
147	169-015	Fork	1	K11042 101			M			
148	H20-992	Screw 5X16	2	B11262 115			F			
149	H20-945	O-ring gasket 17,04x4,00	1	B11212 112			M			
150	H20-981	O-ring gasket 1,9X16	1	B11262 114			M			
151	H20-996	O-ring gasket 2,62X9,92	1	B11262 113			M			
152	H23-733	O-ring gasket 9,25x1,78 (NTC)	2	K11001 128			M			