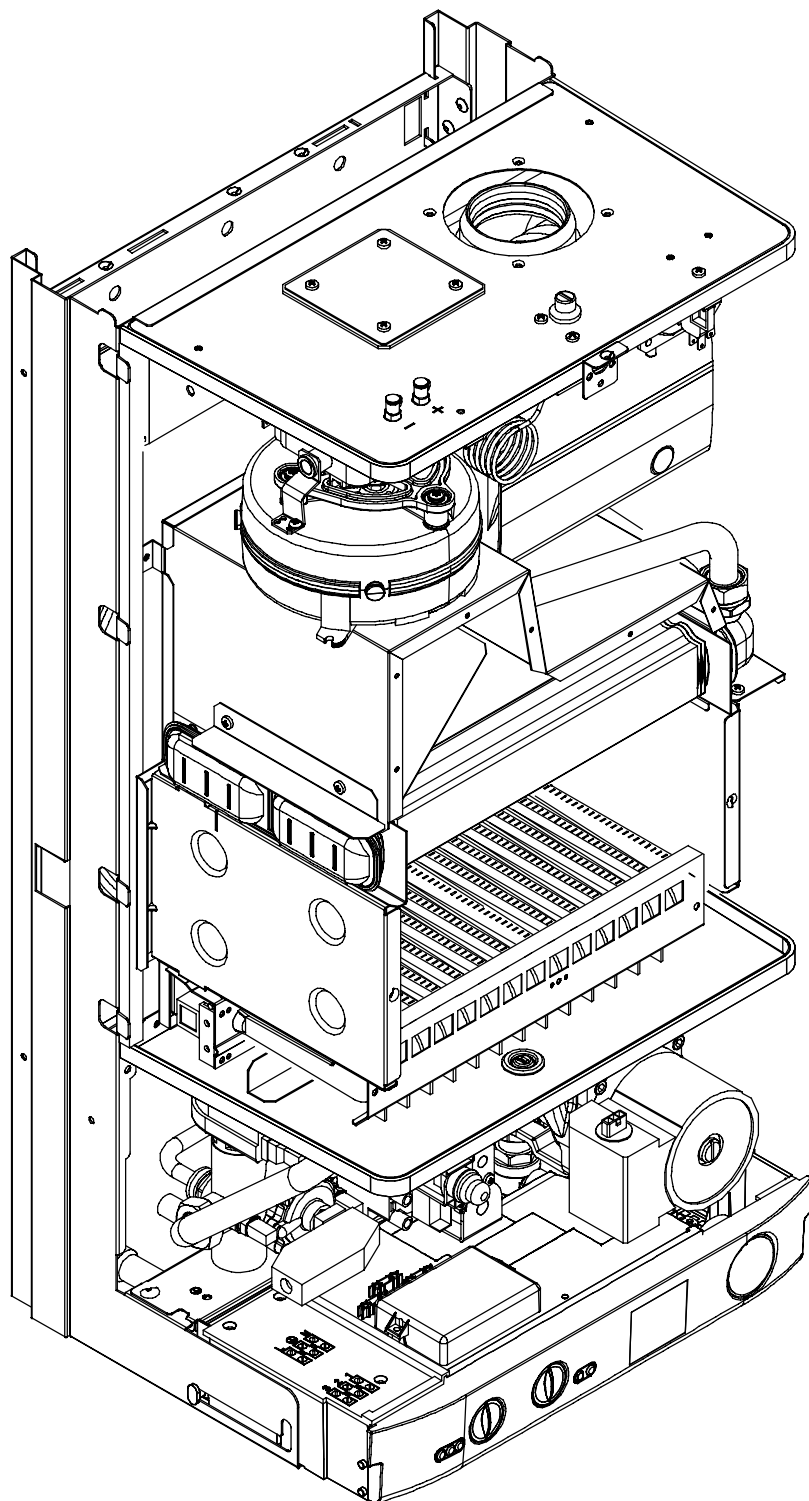


M96.24SM/B2
M96.28SM/B2
M96.24SM/D2
M96.28SM/D2

47-583-03A
47-583-04A
47-583-03B
47-583-04B

Overall view

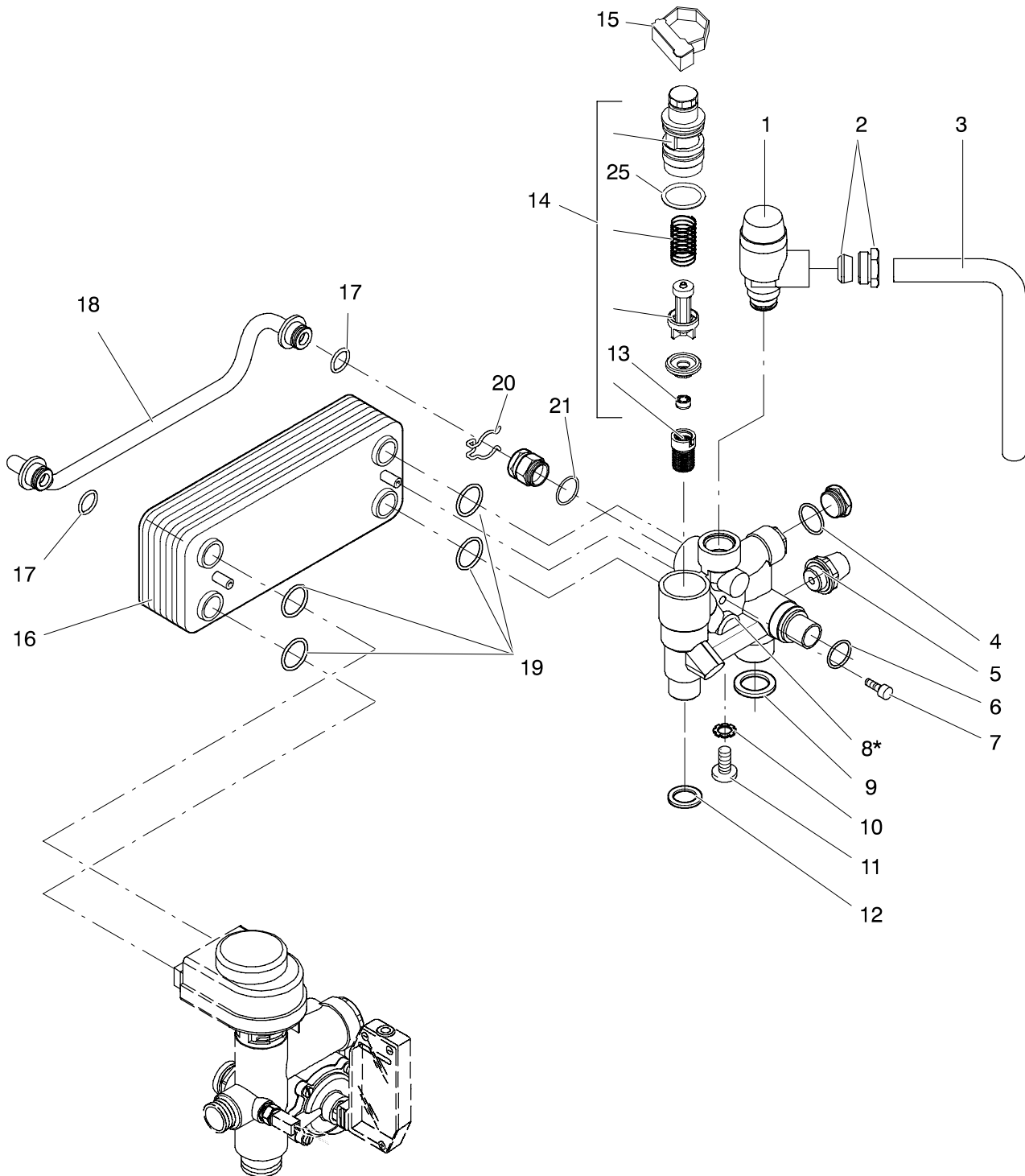
DATA BADGE: inner side of left case panel



M96.24SM/B2
M96.28SM/B2
M96.24SM/D2
M96.28SM/D2

47-583-03A
47-583-04A
47-583-03B
47-583-04B

C.h. return group and d.h.w. heat exchanger

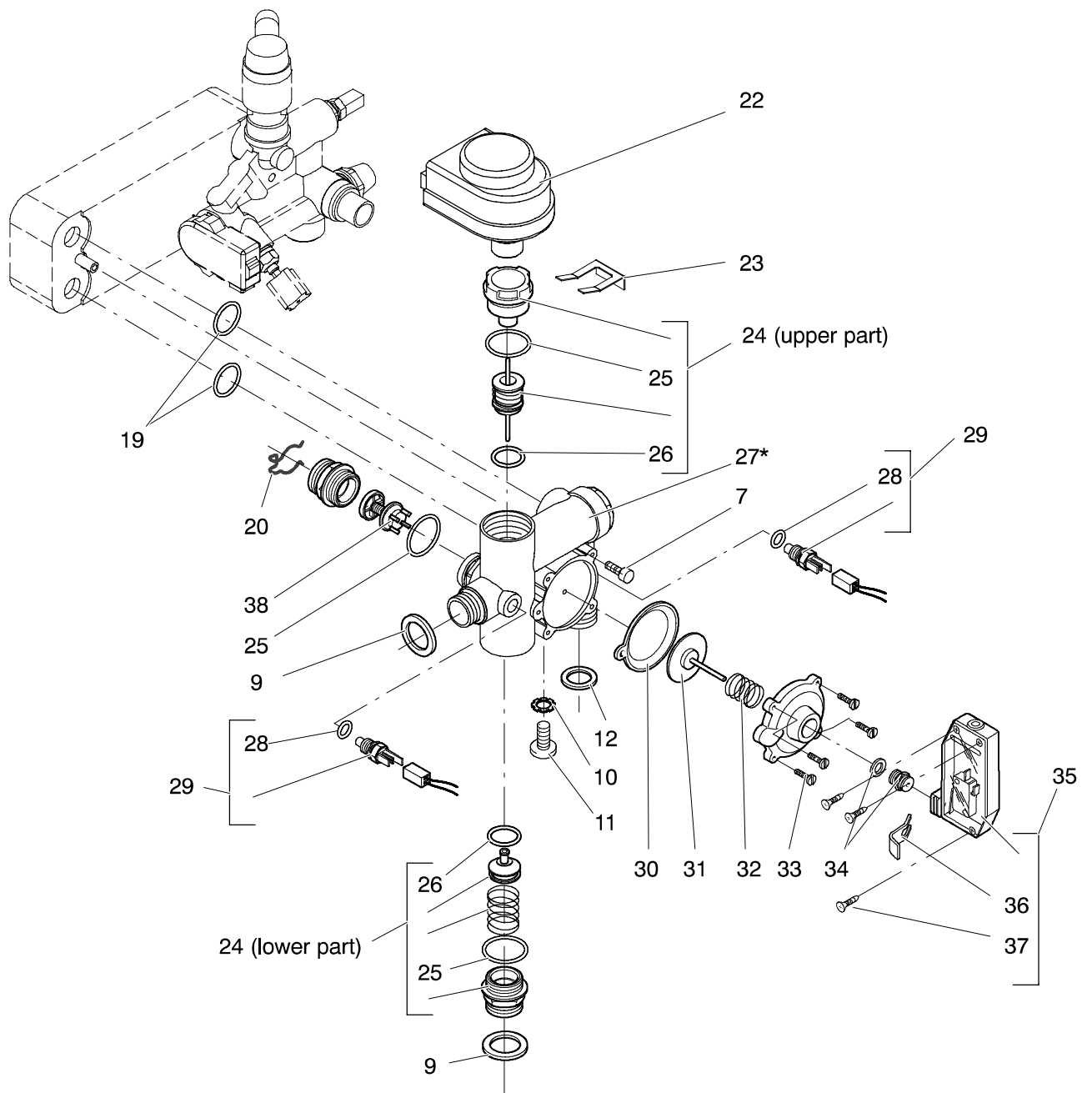


* Includes items 4, 14, 21

M96.24SM/B2
M96.28SM/B2
M96.24SM/D2
M96.28SM/D2

47-583-03A
47-583-04A
47-583-03B
47-583-04B

C.h. flow group and three way diverter valve

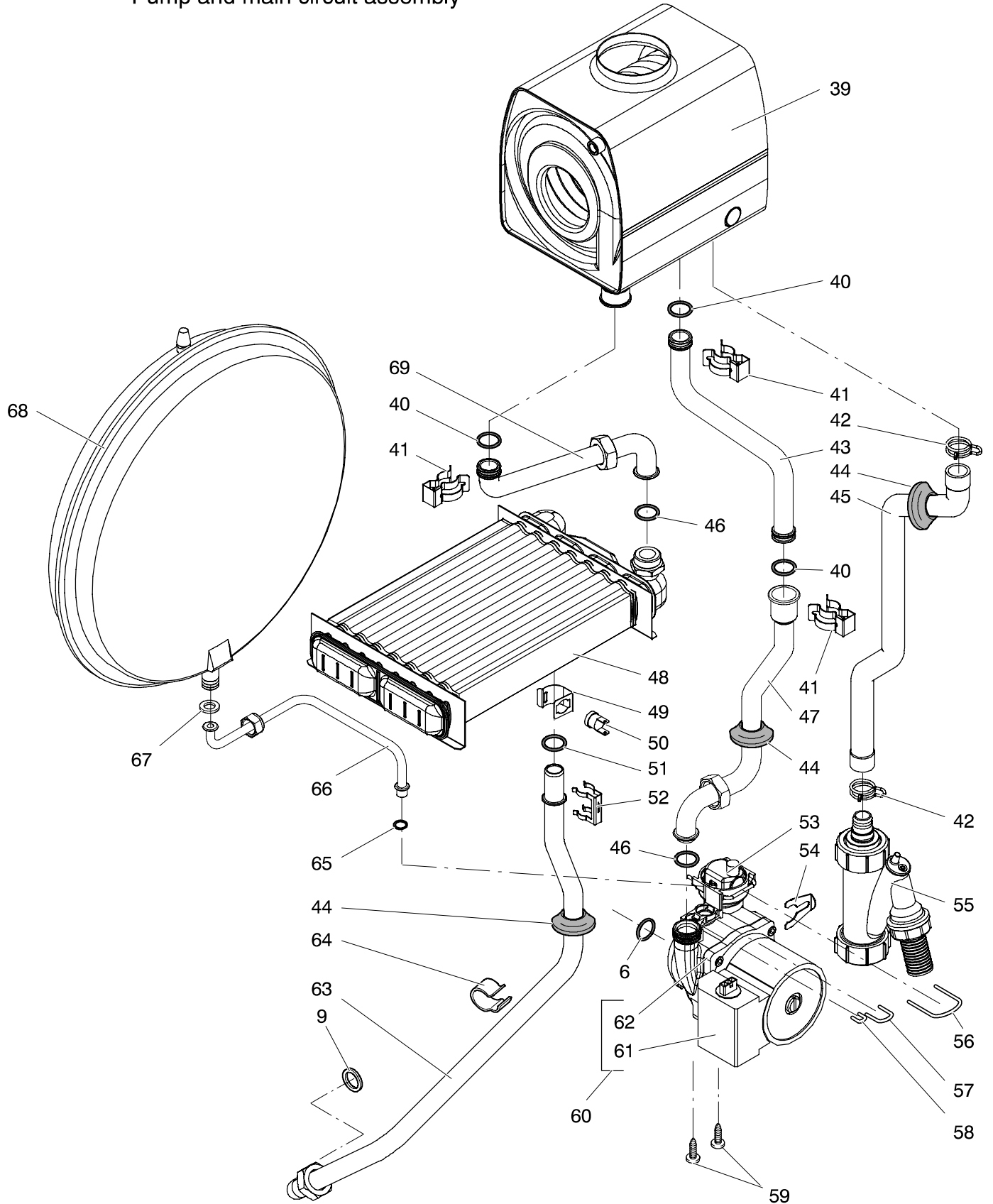


* Includes items 24, 30, 31, 32, 33, 34, 25, 38

M96.24SM/B2
M96.24SM/D2
M96.28SM/B2
M96.28SM/D2

47-583-03A
47-583-03B
47-583-04A
47-583-04B

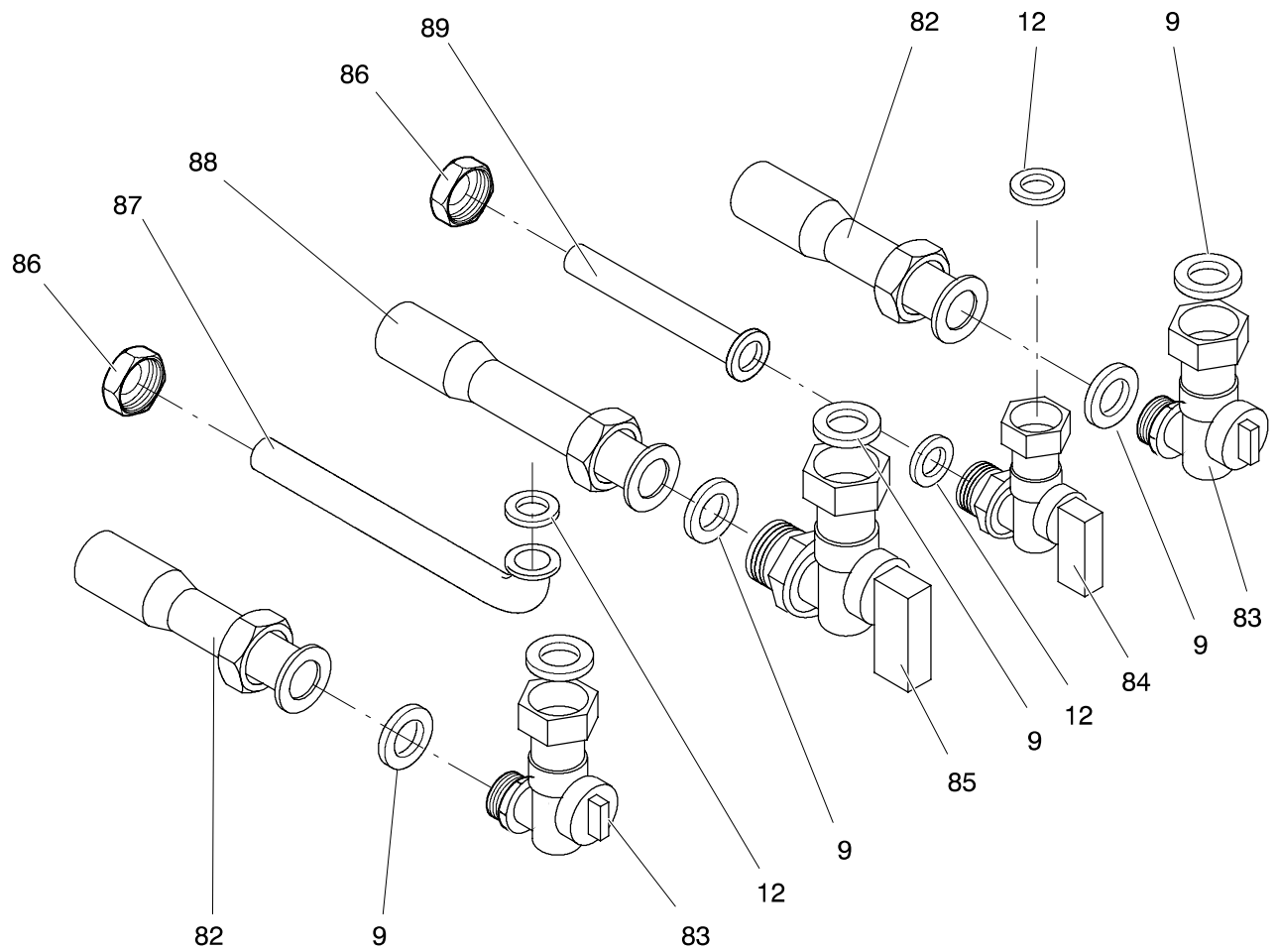
Pump and main circuit assembly



M96.24SM/B2
M96.28SM/B2
M96.24SM/D2
M96.28SM/D2

47-583-03A
47-583-04A
47-583-03B
47-583-04B

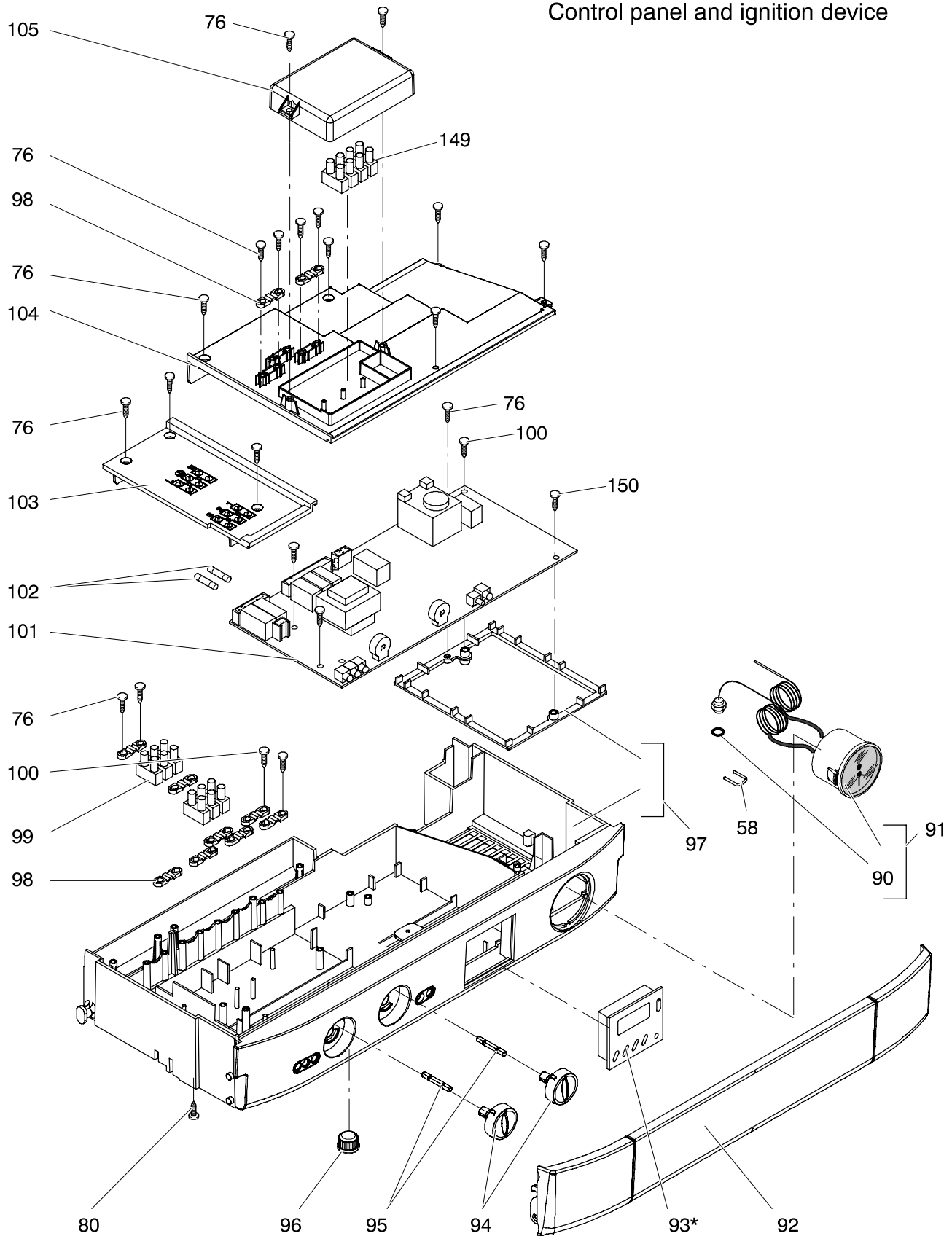
Valves and connection pipes



M96.24SM/B2
M96.24SM/D2
M96.28SM/B2
M96.28SM/D2

47-583-03B
47-583-03B
47-583-04A
47-583-04B

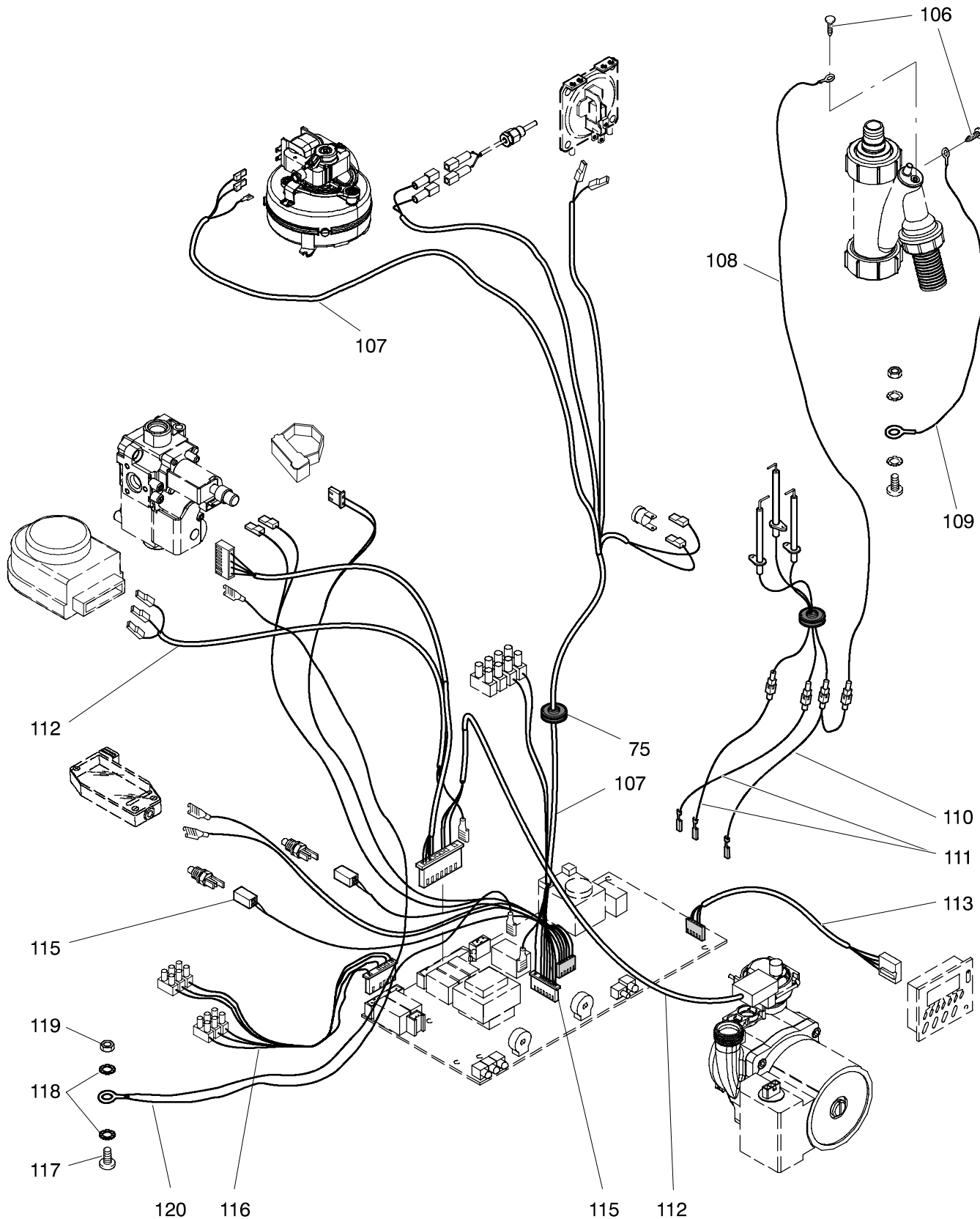
Control panel and ignition device



M96.24SM/B2
M96.28SM/B2
M96.24SM/D2
M96.28SM/D2

47-583-03A
47-583-04A
47-583-03B
47-583-04B

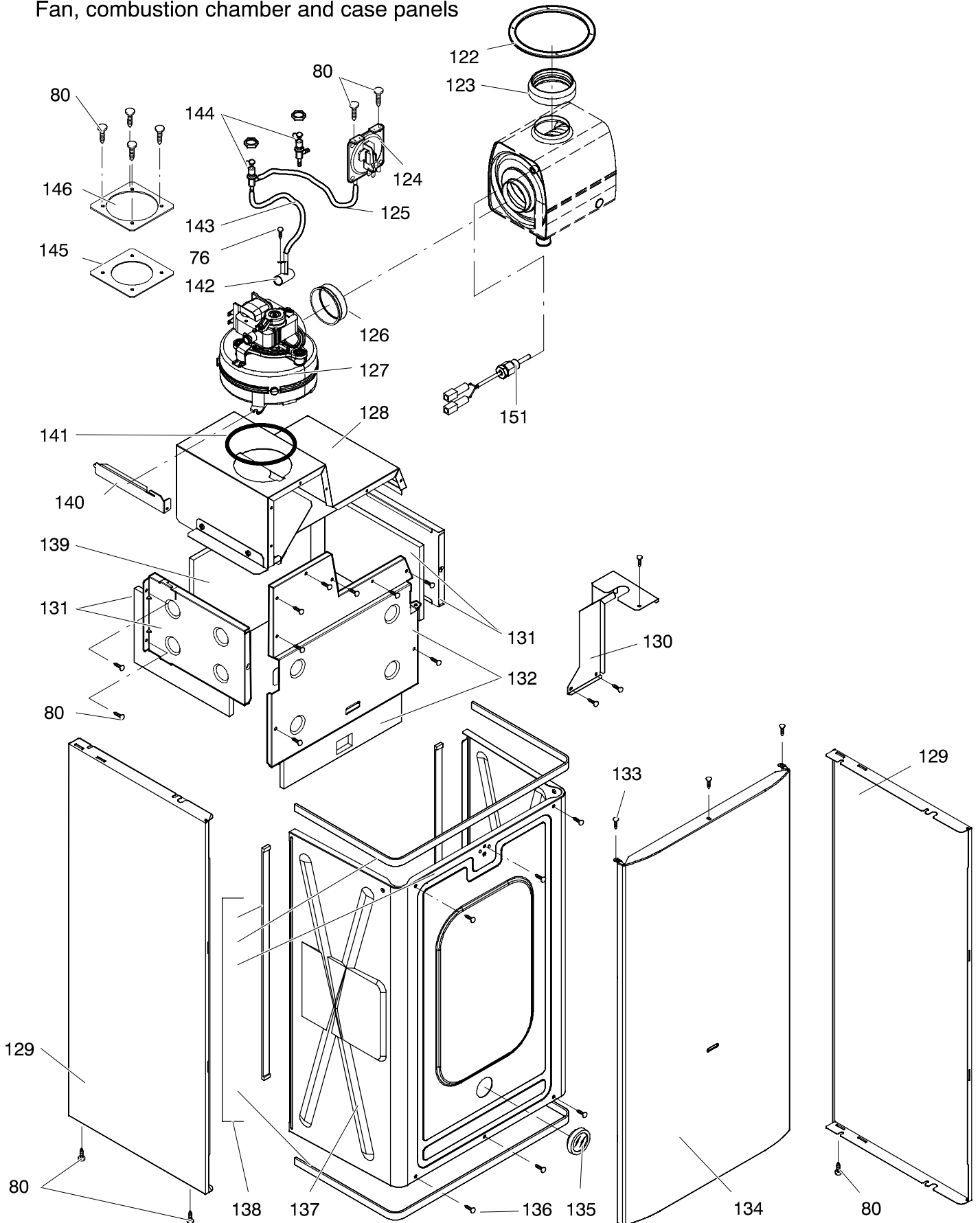
Wiring



M96.24SM/B2
M96.28SM/B2
M96.24SM/D2
M96.28SM/D2

47-583-03A
47-583-04A
47-583-03B
47-583-04B

Fan, combustion chamber and case panels



Date _____

Sheet 1 of 8Manufacturer Biasi SpA – ItalyAppliance(s) M96.24SM/B2, M96.24SM/D2, M96.28SM/B2, M96.28SM/D2GC Appliance Number(s) 47-583-03A, 47-583-03B, 47-583-04A, 47-583-04B

Contract Name _____

Telephone Number _____

(a)	(b)	(c)	(d)	(e)	(f)	(g)	(h)	(i)	(j)	(k)
Key no.	GC Part Number	Description	No. Off	Makers part number which have a CG number	Maker's old part number which have since been changed	Maker's new part number which DO NOT have a GC number	M B F	Original Supplier	Original Supplier part number	Retail price excl. VAT
		Position of data badge: inner side of left case panel								
		Instructions booklets set	1			BI1913 507	M			
1	E83-013	Safety valve 3 bar	1	BI1131 100			B	Watts Interme – Caldaro Italy	3 bar	
								Orkli (alternative)	3 bar	
2	E23-759	Safety valve connection	1	BI1001 127			M			
3	H05-158	Safety valve connection pipe	1	BI1131 106			M			
4	E00-679	O-ring gasket 1,78x15,6	1	BI1001 131			M			
5	E00-669	Drainage valve	1	BI1011 104			B	Watts Interme – Caldaro Italy	RSR8 1/4"	
6	H20-945	O-ring gasket 17,04x4,00	5	BI1212 112			M			
7	H44-143	Screw M5x25 – Hexagon socket cap	2	BI1131 107			F			
8	H32-548	Return group kit	1	BI1271 502			M			
9	169-033	Flat gasket 3/4"	9	BI1001 108			M			
10	E23-757	Toothed lock washer external 6,4 mm	2	BI1001 124			F			
11	E00-670	Screw M6x8 – BZP RPH	2	BI1001 123			F			
12	169-141	Gasket 1/2"	3	BI1001 106			M			
13	E83-018	Flow limiter 10 Litres/min	1	BI1091 102			B	Acqua Flow		
13 A	E83-019	Flow limiter 12 Litres/min	1	BI1091 103			B	Acqua Flow		
14	H32-550	Magnetic flow switch and filter kit	1	BI1271 501			M			
15	H32-551	D.h.w. flow switch	1	BI1271 101			M			
16	E01-204	Exchanger DHW – M96.24SM/B2, M96.24SM/D2	1	BI1001 101			M			
16 A	E01-205	Exchanger DHW – M96.28SM/B2, M96.28SM/D2	1	BI1001 102			M			
17	E00-668	O-ring gasket 1,78x12,42 by-pass pipe	2	BI1001 115			M			
18	H32-554	By-pass pipe	1	BI1271 100			M			
19	169-060	O-ring gasket 18,64x3,53	4	KI1043 144			M			
20	E00-672	By-pass pipe fixing fork	2	BI1001 111			M			

CONTINUATION SHEETSheet 2 of 8Appliance number(s) 47-583-03A, 47-583-04A, 47-583-03B, 47-583-04B

(a)	(b)	(c)	(d)	(e)	(f)	(g)	(h)	(i)	(j)	(k)
Key no.	GC Part Number	Description	No. Off	Makers part number which have a CG number	Maker's old part number which have since been changed	Maker's new part number which DO NOT have a GC number	M B F	Original Supplier	Original Supplier part number	Retail price excl. VAT
21	E00-676	O-ring gasket 1,78x14	1	Bl1001 129			M			
22	E83-086	Diverter valve actuator	1	Bl1101 102			B	Elbi International SpA Collegno italy	1650/6/0	
23	E83-090	Diverter valve actuator fixing spring	1	Bl1101 101			M			
24	E83-091	Diverter valve kit	1	Bl1141 501			M			
25	E00-680	O-ring gasket 2,62x23,47	4	Bl1011 107			M			
26	E83-092	O-ring gasket 2,7x13,6	2	Bl1011 117			M			
27	H32-555	Flow group kit	1	Bl1251 501			M			
28	H23-733	O-ring gasket 9,25x1,78 (NTC)	2	Kl1001 128			M			
29	164-026	Temperature probe (special)	2	Bl1001 117			M			
30	E00-688	Central heating pressure switch membrane	1	Bl1011 103			M			
31	E00-687	Central heating pressure switch disk	1	Bl1011 111			M			
32	E00-686	Central heating pressure switch spring	1	Bl1011 110			M			
33	E00-685	Screw M4x12 mm Stainless steel SCH	4	Bl1011 109			F			
34	E00-681	Microswitch guide bush	1	Bl1011 502			M			
35	E00-684	Microswitch kit	1	Bl1011 505			M			
36	E00-683	Microswitch box fixing clip	1	Bl1011 105			M			
37	E00-682	Screw 2,9x13 mm AB self tapping BZP - RCH	3	Bl1011 108			F			
38	H20-966	By-pass kit	1	Bl1141 505			M			
39	H07-112	Condensing heat exchanger	1	Bl1262 122			M			
40	H20-970	O-ring gasket 2,62x17,86	3	Bl1262 112			M			
41	E83-108	Condensing heat exchanger connection clip	3	Bl1172 101			M			
42	H20-972	Connection spring	2	Bl1262 117			F			
43	H20-977	Condensing heat exchanger inlet pipe - upper	1	Bl1262 109						
44	169-104	Grommet	4	Bl1002 113			M			
45	H20-980	Condensate discharge pipe	1	Bl1262 110			M			

CONTINUATION SHEETSheet 3 of 8Appliance number(s) 47-583-03A, 47-583-04A, 47-583-03B, 47-583-04B

(a)	(b)	(c)	(d)	(e)	(f)	(g)	(h)	(i)	(j)	(k)
Key no.	GC Part Number	Description	No. Off	Makers part number which have a CG number	Maker's old part number which have since been changed	Maker's new part number which DO NOT have a GC number	M B F	Original Supplier	Original Supplier part number	Retail price excl. VAT
46	H20-981	O-ring gasket 1,9X16	2	Bl1262 114			M			
47	H20-982	Condensing heat exchanger inlet pipe - lower	1	Bl1262 108			M			
48	H20-984	Main exchanger M96.24SM/B2, M96.24SM/D2	1	Bl1262 101			M			
48 A	H20-985	Main exchanger M96.28SM/B2, M96.28SM/D2	1	Bl1262 102			M			
49	E94-723	Overheat thermostat fixing clip	1	Bl1182 100			M			
50	E83-101	Overheat thermostat	1	Bl1172 105			B	Elth	261 105°C	
51	169-025	O-ring gasket 17,04x3,53	1	Kl1043 114			M			
52	E94-737	Main exchanger connection clip	1	Bl1182 106			M			
53	H20-986	Automatic air purger valve	1	Bl1212 107			M			
54	H20-987	Pump connection fork	1	Bl1262 116			M			
55	H20-989	Condensate trap	1	Bl1262 118			M			
56	H20-990	Fork	1	Bl1262 120			M			
57	169-015	Fork	1	Kl1042 101			M			
58	169-040	Fork	1	Kl1042 115			M			
59	H20-992	Screw 5X16	2	Bl1262 115			F			
60	H20-993	Pump (complete)	1	Bl1262 103			M	Wilo	NFSL12/6-1 HE CRF9-S 82W	
61	H20-994	Pump (motor)	1	Bl1262 119			B			
62	E83-114	Pump gasket	1	Bl1172 113			M			
63	H20-995	Main exchanger outlet pipe	1	Bl1262 106			M			
64	169-045	Probe holder	1	Bl1105 108			M			
65	H20-996	O-ring gasket 2,62X9,92	1	Bl1262 113			M			
66	H20-997	Expansion vessel connection pipe	1	Bl1262 105			M			
67	H03-727	Flat gasket 3/8" O.D 15 mm, i.d. 8.5 mm	2	Bl1202 105			M			
68	E83-121	Expansion vessel	1	Bl1172 103			B	CIMM Srl - Castello di Godego Italy	CP387 6L	
								Zilmet - Italy (alternative)	13C0000600	

CONTINUATION SHEETSheet 4 of 8Appliance number(s) 47-583-03A, 47-583-04A, 47-583-03B, 47-583-04B

(a)	(b)	(c)	(d)	(e)	(f)	(g)	(h)	(i)	(j)	(k)
Key no.	GC Part Number	Description	No. Off	Makers part number which have a CG number	Maker's old part number which have since been changed	Maker's new part number which DO NOT have a GC number	M B F	Original Supplier	Original Supplier part number	Retail price excl. VAT
69	H27-566	Condensing heat exchanger outlet pipe	1	Bl1262 107			M			
70	169-069	Injectors with gaskets 130 - NG	14	Kl1064 505			B	Polidoro		
70 A	E01-156	Injectors with gaskets 75 - LPG	14	Bl1003 509			B	Polidoro		
71	173-148	Burner M96.24SM/B2, M96.24SM/D2	1	Kl1004 102			B	Polidoro		
71 A	173-149	Burner M96.28SM/B2, M96.28SM/D2	1	Kl1004 147			B	Polidoro		
72	E83-122	Detection electrode	1	Bl1123 102			M			
73	E83-126	Ignition electrode - right	1	Bl1123 103			M			
74	E83-127	Ignition electrode - left	1	Bl1123 101			M			
75	169-125	Grommet	1	Bl1002 115			M			
76	409-736	Tapping screw 3,5x9,5 recessed pan head	28	Bl1013 115			F			
77	409-531	Taptite screw M4x8 Recessed pan head Hardened steel	4	Bl1013 111			F			
		Bright Zinc Plated BS3382 Clear passivated and lanolin								
		Dipped								
78	H32-602	Gas valve	1	Bl1243 100			B	Honeywell	VK4105M	
79	H32-558	Gas pipe to the manifold	1	Bl1243 101			M			
80	409-722	Tapping Screw ISO No8 B 4,2x9,5 Recessed Pan Head	34	Bl1013 110			F			
		Hardened Steel BS4174 Bright Zinc plate BS1706 Clear								
		Passivated								
81	E83-131	Gas manifold with injectors NG M96.24SM/B2,	1	Bl1183 103			B	Polidoro		
		M96.24SM/D2								
81 A	H21-021	Gas manifold with injectors LPG M96.24SM/B2,	1	Bl1213 101			B	Polidoro		
		M96.24SM/D2								
81 B	E83-133	Gas manifold with injectors NG M96.28SM/B2,	1	Bl1183 105			B	Polidoro		
		M96.28SM/D2								

CONTINUATION SHEETSheet 5 of 8Appliance number(s) 47-583-03A, 47-583-04A, 47-583-03B, 47-583-04B

(a)	(b)	(c)	(d)	(e)	(f)	(g)	(h)	(i)	(j)	(k)
Key no.	GC Part Number	Description	No. Off	Makers part number which have a CG number	Maker's old part number which have since been changed	Maker's new part number which DO NOT have a GC number	M B F	Original Supplier	Original Supplier part number	Retail price excl. VAT
81	C H21-023	Gas manifold with injectors LPG M96.28SM/B2, M96.28SM/D2	1	Bl1213 102			B	Polidoro		
82	H21-025	C.h. connection pipe	2	Bl1124 100			M			
83	E83-136	Tap 3/4" - c.h.	2	Bl1084 105			B			
84	E83-137	Tap 1/2" - d.h.w.	1	Bl1084 101			B			
85	E83-138	Tap 3/4" - gas	1	Bl1084 100			B			
86	E01-226	Nut 1/2"	2	Bl1004 101			M			
87	H21-027	Pipe 15 mm dia (bent) d.h.w.	1	Bl1124 102			M			
88	E05-387	Pipe 22 mm dia gas (replacement for discontinued Bl1124 101)	1	Bl1014 112			M			
89	H21-030	Pipe 15 mm dia (straight) d.h.w.	1	Bl1124 103			M			
90	E83-144	O-ring gasket 1,78 x 6,75	1	Bl1475 119			M			
91	E83-145	Temperature-pressure gauge	1	Bl1475 108			M			
92	E94-886	Cover panel M96.24SM/B2, M96.28SM/B2	1	Bl1535 100			M			
92	A H21-031	Cover panel M96.24SM/D2, M96.28SM/D2	1	Bl1625 101			M			
93	E94-738	Time switch M96.24SM/B2, M96.28SM/B2	1	Bl1525 101			B	Flash	Monotron 200 23011	
93	A H21-032	Time switch M96.24SM/D2, M96.28SM/D2	1	Bl1625 103			B	Flash	Monotron 200 23010	
94	E94-887	Knob M96.24SM/B2, M96.28SM/B2	2	Bl1535 101			M			
94	A H21-033	Knob M96.24SM/D2, M96.28SM/D2	2	Bl1625 102			M			
95	E83-149	Shaft	2	Bl1475 105			M			
96	E83-150	Control panel plug	1	Bl1475 110			M			
97	H38-981	Control panel box M96.24SM/B2, M96.28SM/B2	1	Bl1715 101			M			
97	A	Control panel box M96.24SM/D2, M96.28SM/D2	1			Bl1715 102	M			
98	E83-152	Cable holder.	10	Kl1066 208			B	Fastpoint S.r.l.	1207.BB01 XS	

CONTINUATION SHEETSheet 6 of 8Appliance number(s) 47-583-03A, 47-583-04A, 47-583-03B, 47-583-04B

(a)	(b)	(c)	(d)	(e)	(f)	(g)	(h)	(i)	(j)	(k)
Key no.	GC Part Number	Description	No. Off	Makers part number which have a CG number	Maker's old part number which have since been changed	Maker's new part number which DO NOT have a GC number	M B F	Original Supplier	Original Supplier part number	Retail price excl. VAT
99	E83-153	Terminal block	2	Bl1475 109			B	Elettrogibi	PA27	
								Odoardo Korner (alternative)	OK-433-FV	
100	409-727	Screw 3,5x16 mm self tap RPH	8	Bl1165 101			F			
101	H44-169	Electronic control - ignition p.c.b.	1	Bl1715 105			M			
		(Replacement for discontinued Bl1715 100)								
102	H44-170	Fuse 3,15AF	2	Bl1295 108			B			
103	E83-155	Service panel cover	1	Bl1475 111			M			
104	H21-038	Control panel cover	1	Bl1605 101			M			
105	H21-039	External controls cover	1	Bl1605 102			M			
106	409-902	Screw 3,5X9,5 mm self tap RPH stainless steel	2	Bl1615 104			F			
107	H32-567	Fan cable	1	Bl1765 100			M			
108	H21-042	Detection to trap wiring	1	Bl1615 101			M			
109	H21-043	Trap to earth wiring	1	Bl1615 102			M			
110	H32-568	Flame detection electrode cable	1	Bl1765 101			M			
111	H32-570	Ignition electrode cable	2	Bl1765 102			M			
112	H32-571	Pump-diverter valve-gas valve cable	1	Bl1765 103			M			
113	E83-163	Time switch cable	1	Bl1485 111			M			
114	E83-165	D.h.w. flow switch and temp. probe cable	1	Bl1485 105			M			
115	H32-574	Flow switches, temp. probes and modulator cable	1	Bl1765 105			M			
116	H39-041	Power supply and external control cable	1	Bl1675 106			M			
		(replacement for discontinued Bl1765 107) all models								
117	402-225	Machine Screw M5x10 Recessed Pan Head Mild steel	1	Bl1035 109			F			
		BS4183 Bright zinc plate BS3382 Clear Passivated								
118	164-133	Toothed lock washer external 5,3x10 mm stainless	2	Bl1035 110			F			

CONTINUATION SHEETSheet 7 of 8Appliance number(s) 47-583-03A, 47-583-04A, 47-583-03B, 47-583-04B

(a)	(b)	(c)	(d)	(e)	(f)	(g)	(h)	(i)	(j)	(k)
Key no.	GC Part Number	Description	No. Off	Makers part number which have a CG number	Maker's old part number which have since been changed	Maker's new part number which DO NOT have a GC number	M B F	Original Supplier	Original Supplier part number	Retail price excl. VAT
119	404-609	Full nut M5 Hexagon Steel grade 8 BS3692 Bright zinc plate BS3382 clear passivated	1	Bl1035 111			F			
120	H32-583	Earth wiring	1	Bl1765 108			M			
122	169-110	Flue pipe gasket	1	Bl1016 104			M			
123	H21-045	Flue outlet gasket	1	Bl1406 112			M			
124	169-127	Air pressure switch M96.24SM/B2, M96.24SM/D2	1	Kl1267 103			B	Yamatake-Honeywell	C6065 0,88 mbar	
124 A	H08-605	Air pressure switch M96.28SM/B2, M96.28SM/D2 (replacement for discontinued Bl1406 102)	1	Bl1376 104			B	Yamatake-Honeywell	C6065 1,38 mbar	
125	E83-188	Venturi device tube	1	Bl1256 101			M			
126	H21-047	Fan outlet gasket	1	Bl1406 113			M			
127	H21-048	Fan M96.24SM/B2, M96.24SM/D2	1	Bl1406 100			B	FIME	GR 02445 47W	
127 A	H21-049	Fan M96.28SM/B2, M96.28SM/D2	1	Bl1406 101			B	FIME	GR 02440 60W	
128	H07-876	Flue hood M96.24SM/B2, M96.24SM/D2	1	Bl1406 121			M			
128 A	H07-877	Flue hood M96.28SM/B2, M96.28SM/D2	1	Bl1406 122			M			
129	H21-052	Side case panel M96.24SM/B2, M96.28SM/B2	2	Bl1406 106			M			
129 A	H21-053	Side case panel M96.24SM/D2, M96.28SM/D2	2	Bl1416 100			M			
130	H21-054	Air deflector - right	1	Bl1406 114			M			
131	E83-178	Combustion chamber side panel	2	Bl1326 100			M			
132	H07-879	Combustion chamber front panel M96.24SM/B2, M96.24SM/D2	1	Bl1406 118			M			
132 A	H07-881	Combustion chamber front panel M96.28SM/B2, M96.28SM/D2	1	Bl1406 119			M			
133	409-702	Screw 4,2x13 mm AB self tapping RPH BZP	2	Bl1336 115			F			
134	H21-057	Front case panel M96.24SM/B2, M96.28SM/B2	1	Bl1406 107			M			
134 A	H21-058	Front case panel M96.24SM/D2, M96.28SM/D2	1	Bl1416 101			M			

CONTINUATION SHEETSheet 8 of 8Appliance number(s) 47-583-03A, 47-583-04A, 47-583-03B, 47-583-04B

(a)	(b)	(c)	(d)	(e)	(f)	(g)	(h)	(i)	(j)	(k)
Key no.	GC Part Number	Description	No. Off	Makers part number which have a CG number	Maker's old part number which have since been changed	Maker's new part number which DO NOT have a GC number	M B F	Original Supplier	Original Supplier part number	Retail price excl. VAT
135	E69-243	Window (glass + rubber frame)	1	Bl1206 118			M			
136	409-747	Screw 4,8x13 mm AB self tapping RPH BZP	4	Bl1336 114			F			
137	H21-059	Sealed chamber lid	1	Bl1406 105			M			
138	H21-060	Sealed chamber gaskets kit	1	Bl1406 500			M			
139	E83-180	Combustion chamber rear panel M96.24SM/B2,	1	Bl1326 107			M			
		M96.24SM/D2								
139 A	E83-181	Combustion chamber rear panel M96.28SM/B2,	1	Bl1326 108			M			
		M96.28SM/D2								
140	H07-883	Fan holder bracket	1	Bl1406 120			M			
141	H21-063	Fan inlet gasket	1	Bl1406 111			M			
142	H03-695	Venturi	1	Bl1366 100			M			
143	E01-187	Flue pressure switch tube	1	Bl1016 107			M			
144	E05-424	Air switch pressure test point	2	Bl1036 101			M			
145	H21-070	Air restrictor d. 50	1	Bl1406 115			M			
145 A	H21-071	Air restrictor d. 55	1	Bl1406 116			M			
146	E01-184	Gasket - Air intake twin kit	1	Bl1016 101			M			
148	E01-157	Screw self tapping 3,9x9,5 mm type AB Recessed Pan	2	Bl1013 112			F			
		Head Bright Zinc Plated								
149	H32-597	4 poles terminal block	1	Bl1665 102			B	Odoardo Korner	OK 433-PLP-SPF	
151	H32-598	Flue temperature probe NTC	1	Bl1342 100			M			