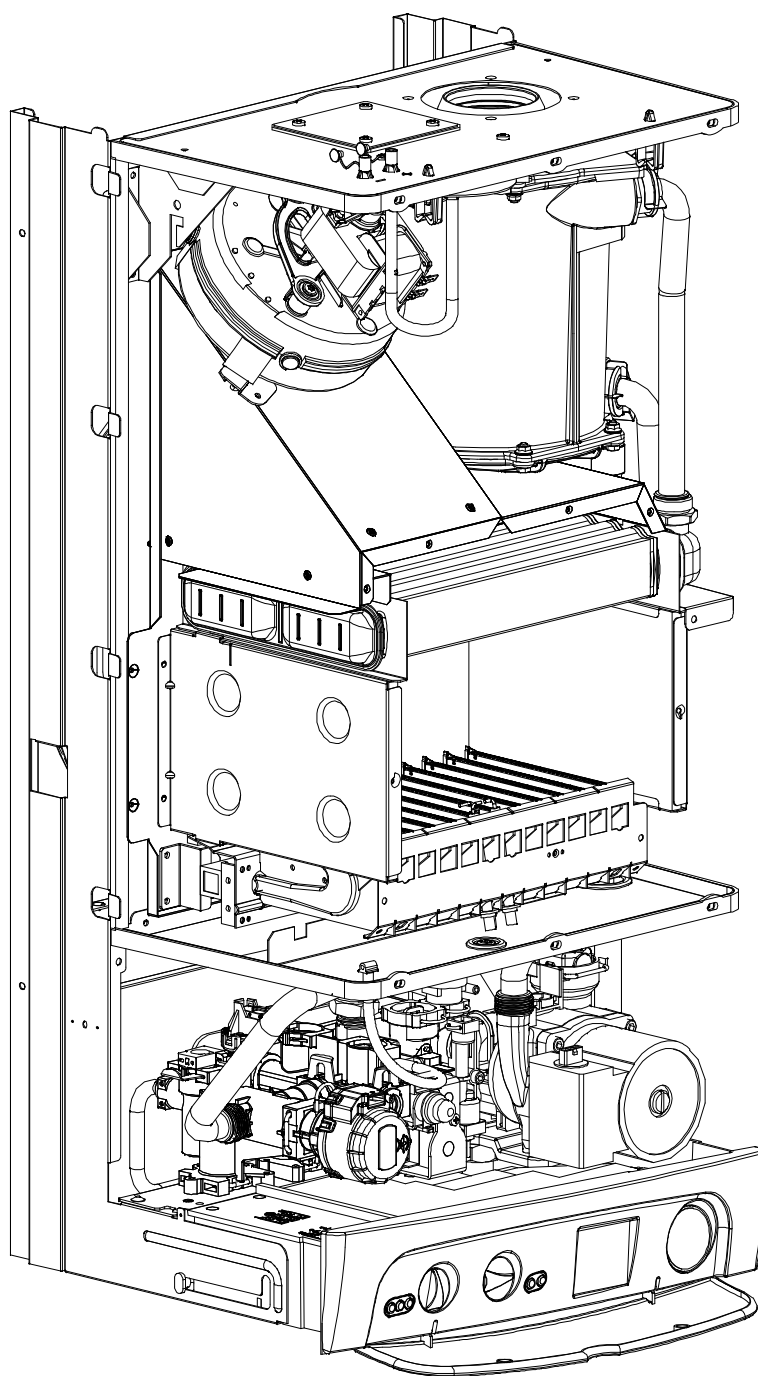


M296.24SR/C
M296.28SR/C

41-583-18
41-583-19

Overall view

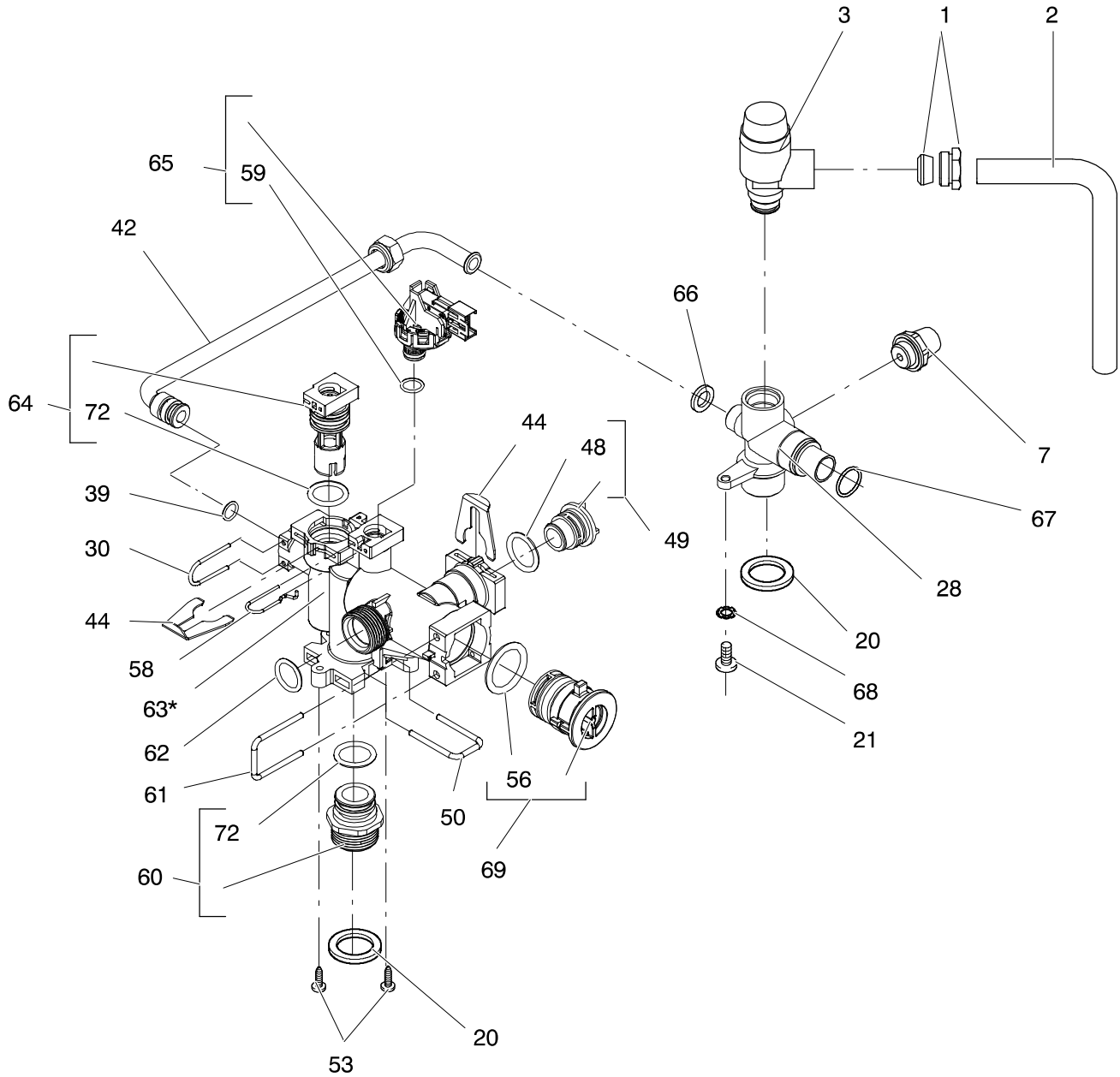
DATA BADGE: inner side of left case panel



M296.24SR/C
M296.28SR/C

41-583-18
41-583-19

C.h. flow and return groups

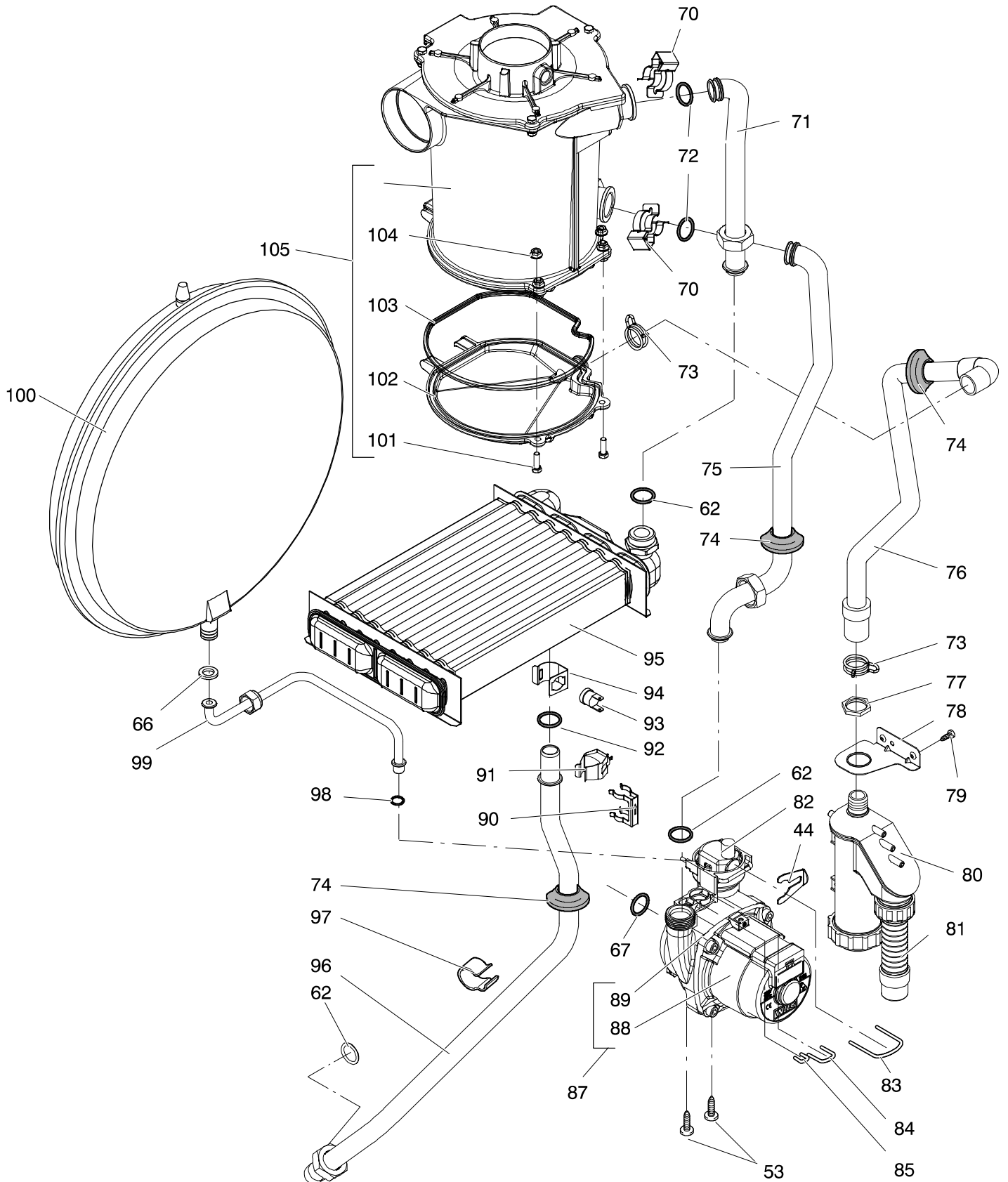


* Includes items 62, 39, 48, 72, 56, 59, 49, 69

M296.24SR/C
M296.28SR/C

41-583-18
41-583-19

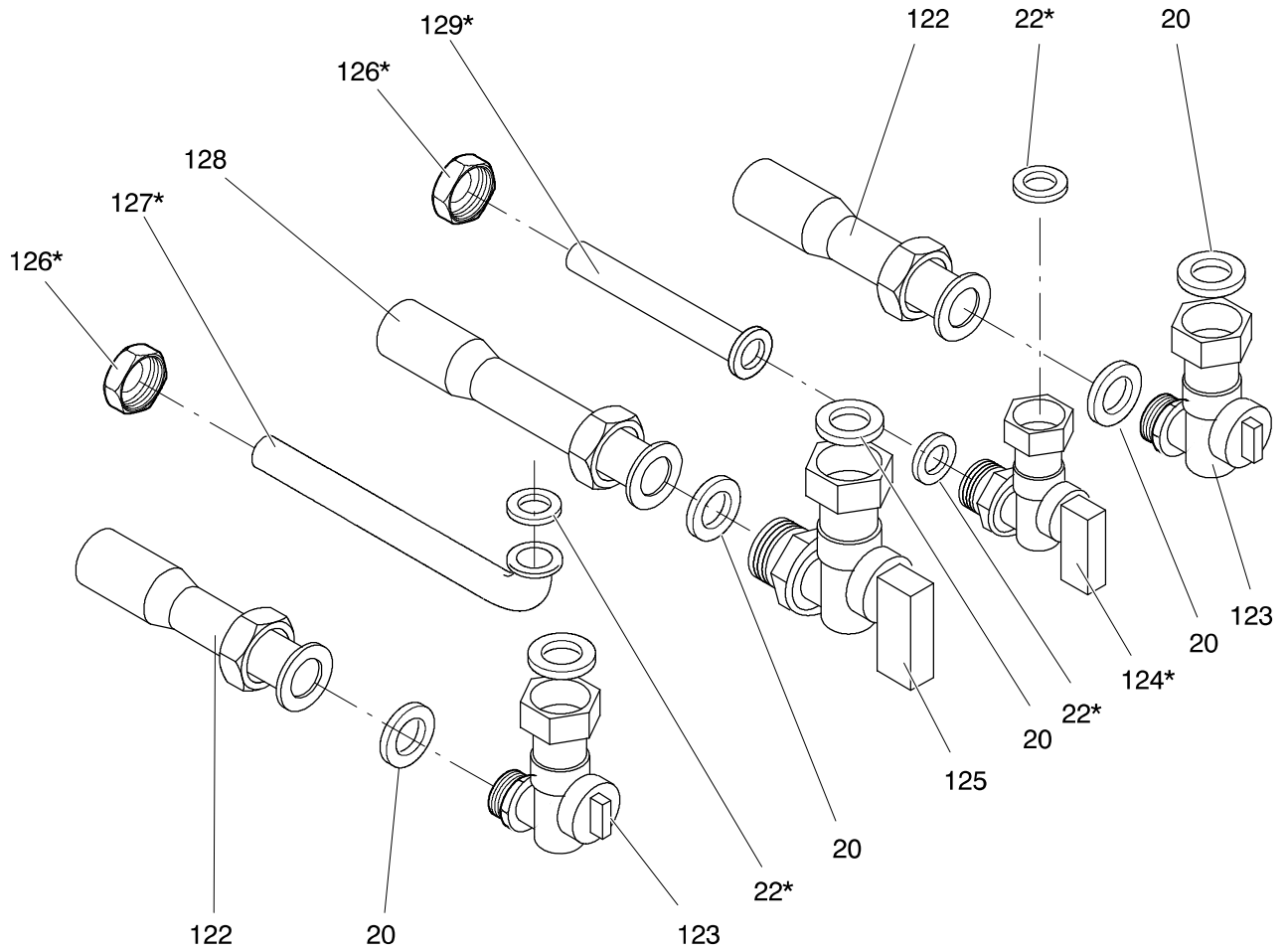
Pump and main circuit assembly



M296.24SR/C
M296.28SR/C

41-583-18
41-583-19

Valves and connection pipes

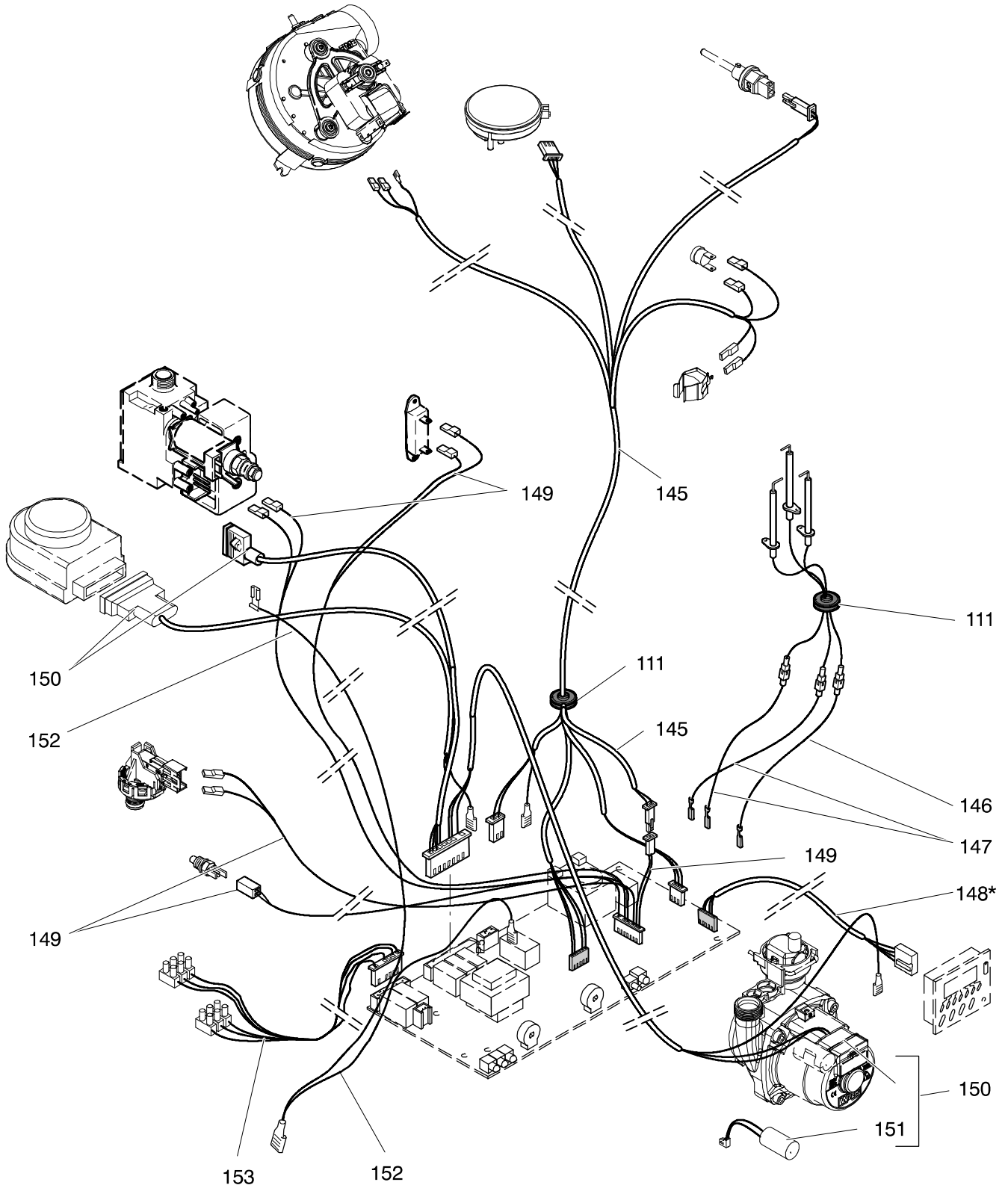


* Not for model M296.24SR/C, M296.28SR/C

M296.24SR/C
M296.28SR/C

41-583-18
41-583-19

Wiring

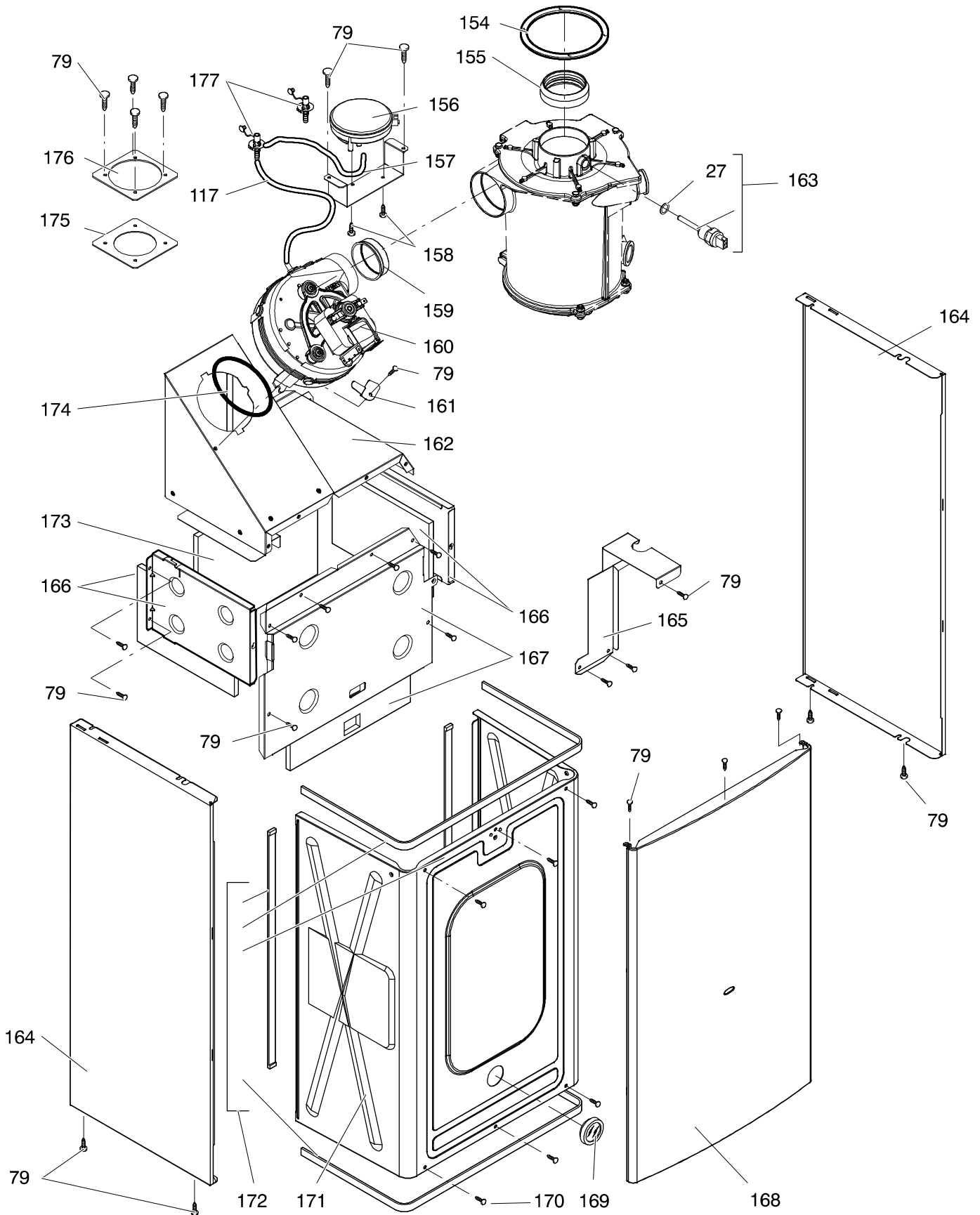


* Not for model M296.24SR/C, M296.28SR/C

M296.24SR/C
M296.28SR/C

41-583-18
41-583-19

Fan, combustion chamber and case panels



DRAFT BRITISH GAS PART LIST

Date _____

Sheet 1 of 7Manufacturer Biasi SpA – ItalyAppliance(s) M296.24SR/C, M296.28SR/CGC Appliance Number(s) 41–583–18, 41–583–19

Contract Name _____

Telephone Number _____

(a)	(b)	(c)	(d)	(e)	(f)	(g)	(h)	(i)	(j)	(k)
Key no.	GC Part Number	Description	No. Off	Makers part number which have a CG number	Maker's old part number which have since been changed	Maker's new part number which DO NOT have a GC number	M B F	Original Supplier	Original Supplier part number	Retail price excl. VAT
		Position of data badge: inner side of left case panel								
		Instructions booklets set	1			BI1913 523	M			
1	E23–759	Safety valve connection	1	BI1001 127			M			
2	H05–158	Safety valve connection pipe up to serial no 023470712	1	BI1131 106			M			
		Safety valve connection pipe from serial no 023480712	1			BI1441 100	M			
3	E83–013	Safety valve 3 bar	1	BI1131 100			B	Watts Intermes	3 bar	
7	E00–669	Drainage valve	1	BI1011 104			B	Watts Intermes – Caldarò Italy	RSR8 1/4"	
12	E83–144	O–ring gasket 1,78 x 6,75	1	BI1475 119			M			
20	169–033	Flat gasket 3/4"	9	BI1001 108			M			
21	E00–670	Screw M6x8 – BZP RPH	2	BI1001 123			F			
28	H46–401	Return group kit	1	BI1171 105			M			
30	169–015	Fork P.14	3	KI1042 101			M			
39		O–ring gasket 2,62x11,91	1			BI1301 112	M			
42		By–pass pipe	1			BI1371 103	M			
44	H20–987	Pump connection fork	1	BI1262 116			M			
48	H74–529	O–ring gasket 2,62x15,54	2	BI1351 102			M			
49	H74–530	Flow group kit c.h. plug	1	BI1351 103			M			
50	H74–531	Fork P21,6	2	BI1351 104			M			
53	H74–535	Tapping screw 5x12	2	BI1351 107			F			
56	E00–680	O–ring gasket 2,62x23,47	1	BI1011 107			M			
58	H74–539	Fork P11	2	BI1351 112			M			
59	H74–540	O–ring gasket 1,90x8,90	1	BI1351 113			M			
60	H74–541	Threaded connection c.h.	1	BI1351 114			M			
61	H74–542	Fork P26	1	BI1351 115			M			
62	H20–981	O–ring gasket 2X17	2	BI1262 114			M			

CONTINUATION SHEETSheet 2 of 7Appliance number(s) 41-583-18, 41-583-19,

(a)	(b)	(c)	(d)	(e)	(f)	(g)	(h)	(i)	(j)	(k)
Key no.	GC Part Number	Description	No. Off	Makers part number which have a CG number	Maker's old part number which have since been changed	Maker's new part number which DO NOT have a GC number	M B F	Original Supplier	Original Supplier part number	Retail price excl. VAT
63	H74-543	Flow group kit up to serial no 023470712	1	Bl1351 116			M			
		Flow group kit from serial no 023480712	1			Bl1491 100	M			
64	H74-544	By-pass kit	1	Bl1351 117			M			
65	H74-545	Primary circuit pressure switch	1	Bl1351 118			M			
66	H03-727	Flat gasket 3/8" O.D 15 mm, i.d. 8.5 mm	2	Bl1202 105			M			
67	H20-945	O-ring gasket 17,04x4,00	5	Bl1212 112			M			
68	E23-757	Toothed lock washer external 6,4 mm	2	Bl1001 124			F			
69		Flow group kit plug	1			Bl1371 105	M			
70	H58-664	Condensing heat exchanger connection clip	2	Bl1432 106			M			
71	H74-546	Condensing heat exchanger outlet pipe	1	Bl1442 100			M			
72	H20-970	O-ring gasket 2,62x17.86	2	Bl1262 112			M			
73	H20-972	Connection spring	2	Bl1262 117			F			
74	169-104	Grommet	4	Bl1002 113			M			
75	H74-547	Condensing heat exchanger inlet pipe	1	Bl1442 101			M			
76	H74-548	Condensate discharge pipe	1	Bl1442 102			M			
77	169-142	Lock-nut	1	Kl1005 107			M			
78	H74-549	Condensate trap holder bracket	1	Bl1442 103			M			
79	409-722	Tapping Screw ISO No8 B 4,2x9,5 Recessed Pan Head	34	Bl1013 110			F			
80	H74-550	Condensate trap	1	Bl1442 104			M			
81	H74-551	Condensate connection hose	1	Bl1442 105			M			
82	H20-986	Automatic air purger valve	1	Bl1212 107			M			
83	H20-990	Fork	1	Bl1262 120			M			
84	169-015	Fork	1	Kl1042 101			M			
85	169-040	Fork	1	Kl1042 115			M			
87		Pump (complete)	1			Bl1552 100	M	Wilo	INTNFSL12/6HEP1 83W	

CONTINUATION SHEETSheet 3 of 7Appliance number(s) 41-583-18, 41-583-19,

(a)	(b)	(c)	(d)	(e)	(f)	(g)	(h)	(i)	(j)	(k)
Key no.	GC Part Number	Description	No. Off	Makers part number which have a CG number	Maker's old part number which have since been changed	Maker's new part number which DO NOT have a GC number	M B F	Original Supplier	Original Supplier part number	Retail price excl. VAT
88		Pump (motor)	1			BI1542 101	B			
89	E83-114	Pump gasket	1	BI1172 113			M			
90	E94-737	Main exchanger connection clip	1	BI1182 106			M			
91	H74-553	Spring mounting temperature probe	1	BI1442 106			M			
92	169-025	O-ring gasket 17,04x3,53	1	KI1043 114			M			
93	E83-101	Overheat thermostat	1	BI1172 105			B	Elth	261 105°C	
94	E94-723	Overheat thermostat fixing clip	1	BI1182 100			M			
95	H20-984	Main exchanger M296.24SR/C	1	BI1262 101			M			
95 A	H20-985	Main exchanger M296.28SR/C	1	BI1262 102			M			
96	H74-555	Main exchanger outlet pipe	1	BI1442 110			M			
97	169-045	Probe holder	1	BI1105 108			M			
98	H20-996	O-ring gasket 2,62X9,92	1	BI1262 113			M			
99	H20-997	Expansion vessel connection pipe	1	BI1262 105			M			
100	E83-121	Expansion vessel	1			BI1262 100	B	WAREM - Italy	C1008931BOOX8000 8L	
		(replacement for discontinurd BI1172 103)								
101	H74-556	Screw M5x16 mm Hexagon head	5	BI1442 112			F			
102	H74-557	Condensing heat exchanger bottom cover	1	BI1442 109			M			
103	H74-560	Condensing heat exchanger gasket	1	BI1442 108			M			
104	H74-562	Flanged nut M5 Hexagon	5	BI1442 111			F			
105		Condensing heat exchanger	1			BI1442 121	M			
106	H74-599	Injectors with gaskets 120 - NG M296.24SR/C	12	BI1213 109			B	Polidoro		
106 A	H74-599	Injectors with gaskets 120 - NG M296.28SR/C	14	BI1213 109			B	Polidoro		
106 B	169-070	Injectors with gaskets 77 - LPG M296.24SR/C	12	KI1064 506			B	Polidoro		
106 C	169-070	Injectors with gaskets 77 - LPG M296.28SR/C	14	KI1064 506			B	Polidoro		
107	173-148	Burner M296.24SR/C	1	KI1004 102			B	Polidoro		

CONTINUATION SHEETSheet 4 of 7Appliance number(s) 41-583-18, 41-583-19,

(a)	(b)	(c)	(d)	(e)	(f)	(g)	(h)	(i)	(j)	(k)
Key no.	GC Part Number	Description	No. Off	Makers part number which have a CG number	Maker's old part number which have since been changed	Maker's new part number which DO NOT have a GC number	M B F	Original Supplier	Original Supplier part number	Retail price excl. VAT
107 A	173-149	Burner M296.28SR/C	1	KI1004 147			B	Polidoro		
108	E83-122	Detection electrode	1	BI1123 102			M			
109	E83-126	Ignition electrode - right	1	BI1123 103			M			
110	E83-127	Ignition electrode - left	1	BI1123 101			M			
111	169-125	Grommet	1	BI1002 115			M			
112	409-736	Tapping screw 3,5x9,5 recessed pan head	28	BI1013 115			F			
113		Combustion chamber overheat thermostat M296.24SR/C	1			BI1193 109	M			
113 A		Combustion chamber overheat thermostat M296.28SR/C	1			BI1193 110	M			
114	409-531	Taptite screw M4x8 Recessed pan head	4	BI1013 111			F			
115	H74-564	Compensating pressure sampling terminal	1	BI1213 105			M			
116	H74-565	Air deflector	1	BI1213 104			M			
117	E83-188	Fan pressure connection tube	1	BI1256 101			M			
118	402-124	Machine Screw M4x8 mm Recessed pan head	2	BI1013 114			F			
119	H03-746	Gas valve	1	BI1193 105			B	Sit	0.845.083	
119 A	H08-602	Gas valve on-off operator coils		BI1093 107			B	Sit	0.967.158	
120	H21-019	Gas pipe to the manifold	1	BI1213 100			M			
121		Gas manifold with injectors NG M296.24SR/C	1			BI1193 111	B	Polidoro		
121 A	E83-132	Gas manifold with injectors LPG M296.24SR/C	1	BI1183 104			B	Polidoro		
121 B		Gas manifold with injectors NG M296.28SR/C	1			BI1193 112	B	Polidoro		
121 C	E83-134	Gas manifold with injectors LPG M296.28SR/C	1	BI1183 106			B	Polidoro		
122	H21-025	C.h. connection pipe	2	BI1124 100			M			
123	E83-136	Tap 3/4" - c.h.	2	BI1084 105			B			
125	E83-138	Tap 3/4" - gas	1	BI1084 100			B			
128	H21-025	Pipe 22 mm dia gas	1	BI1124 100			M			
		(replacement for discontinued BI1014 112)								

CONTINUATION SHEETSheet 5 of 7Appliance number(s) 41-583-18, 41-583-19,

(a)	(b)	(c)	(d)	(e)	(f)	(g)	(h)	(i)	(j)	(k)
Key no.	GC Part Number	Description	No. Off	Makers part number which have a CG number	Maker's old part number which have since been changed	Maker's new part number which DO NOT have a GC number	M B F	Original Supplier	Original Supplier part number	Retail price excl. VAT
130	E83-145	Temperature-pressure gauge	1	BI1475 108			M			
131	H32-562	Cover panel	1	BI1605 108			M			
133	H27-577	Knob	2	BI1605 106			M			
134	E83-149	Shaft	2	BI1475 105			M			
135	E83-150	Control panel plug	1	BI1475 110			M			
136	H27-578	Hinge plugs (couple)	2	BI1605 107						
137		Control panel box M296.24SR/C, M296.28SR/C	1			BI1715 104	M			
138	E83-152	Cable holder.	10	KI1066 208			B	Fastpoint S.r.l.	1207.BB01 XS	
139	E83-153	Terminal block	2	BI1475 109			B	Elettrogibi	PA27	
								Odoardo Korner (alternative)	OK-433-FV	
140	409-727	Screw 3,5x16 mm self tap RPH	8	BI1165 101			F			
141		Electronic control - ignition p.c.b.	1			BI2015 105	M			
142	H44-170	Fuse 3,15AF	2	BI1295 108			B			
143	E83-155	Service panel cover	1	BI1475 111			M			
144	E83-156	Control panel cover	1	BI1475 112			M			
145		Fan cable	1			BI2025 118	M			
146	H46-365	Flame detection electrode cable	1	BI1765 115			M			
147	H32-570	Ignition electrode cable	2	BI1765 102			M			
149		Flow switch, temp. probe and modulator cable	1			BI2185 100	M			
150		Pump-gas valve cable	1			BI2185 101	M			
151		Pump capacitor	1			BI2175 101	M			
152	H74-572	Earth wiring	1	BI1765 121			M			
153	H39-041	Power supply and external control cable	1	BI1675 106			M			
154	169-110	Flue pipe gasket	1	BI1016 104			M			
155	H74-575	Flue outlet gasket	1	BI1536 101			M			

CONTINUATION SHEETSheet 6 of 7Appliance number(s) 41-583-18, 41-583-19,

(a)	(b)	(c)	(d)	(e)	(f)	(g)	(h)	(i)	(j)	(k)
Key no.	GC Part Number	Description	No. Off	Makers part number which have a CG number	Maker's old part number which have since been changed	Maker's new part number which DO NOT have a GC number	M B F	Original Supplier	Original Supplier part number	Retail price excl. VAT
156	H74-576	Air pressure sensor	1	Bl1536 103			B	Huba Control	401.93000	
157	E01-187	Flue pressure switch tube	1	Bl1016 107			M			
158	E23-759	Screw 2,9x4,5 Recessend Pan Head	2	Bl1002 127			F			
159	H74-577	Fan outlet gasket	1	Bl1536 102			M			
160	H74-578	Fan M296.24SR/C	1	Bl1536 105			B	FIME	GR03630 47W	
160 A	H74-604	Fan M296.28SR/C	1	Bl1536 113			B	FIME	GR0401580W	
161	H74-583	Fan holder bracket	1	Bl1536 107			M			
162		Flue hood M296.24SR/C	1			Bl1536 116	M			
162 A		Flue hood M296.28SR/C	1			Bl1536 117	M			
163	H74-589	Flue temperature probe NTC	1	Bl1536 104			M			
164	H21-052	Side case panel	2	Bl1406 106			M			
165	H74-590	Air deflector - right	1	Bl1536 112			M			
166	E83-178	Combustion chamber side panel	2	Bl1326 100			M			
167	H74-591	Combustion chamber front panel M296.24SR/C	1	Bl1536 110			M			
167 A	H74-592	Combustion chamber front panel M296.28SR/C	1	Bl1536 111			M			
168	H32-600	Front case panel	1	Bl1416 102			M			
169	E69-243	Window (glass + rubber frame)	1	Bl1206 118			M			
170	409-747	Screw 4,8x13 mm AB self tapping RPH BZP	4	Bl1336 114			F			
171	H21-059	Sealed chamber lid	1	Bl1406 105			M			
172	H21-060	Sealed chamber gaskets kit	1	Bl1406 500			M			
173	E83-180	Combustion chamber rear panel M296.24SR/C	1	Bl1326 107			M			
173 A	E83-181	Combustion chamber rear panel M296.28SR/C	1	Bl1326 108			M			
174	H21-063	Fan inlet gasket	1	Bl1406 111			M			
175	H21-070	Air restrictor d. 50	1	Bl1406 115			M			
175 A	H21-071	Air restrictor d. 55	1	Bl1406 116			M			

