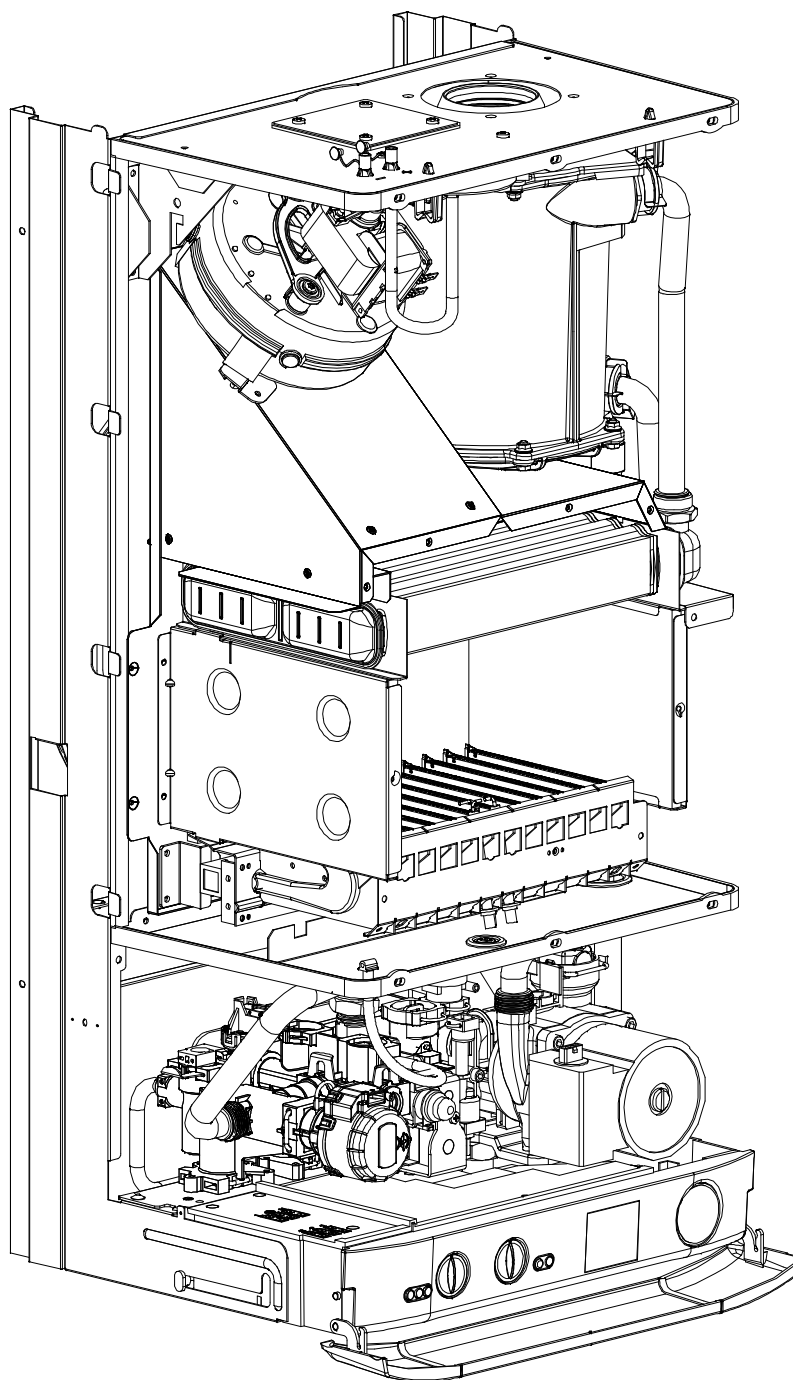


M96A.24SM/B  
M96A.28SM/B

47-583-15  
47-583-16

Overall view

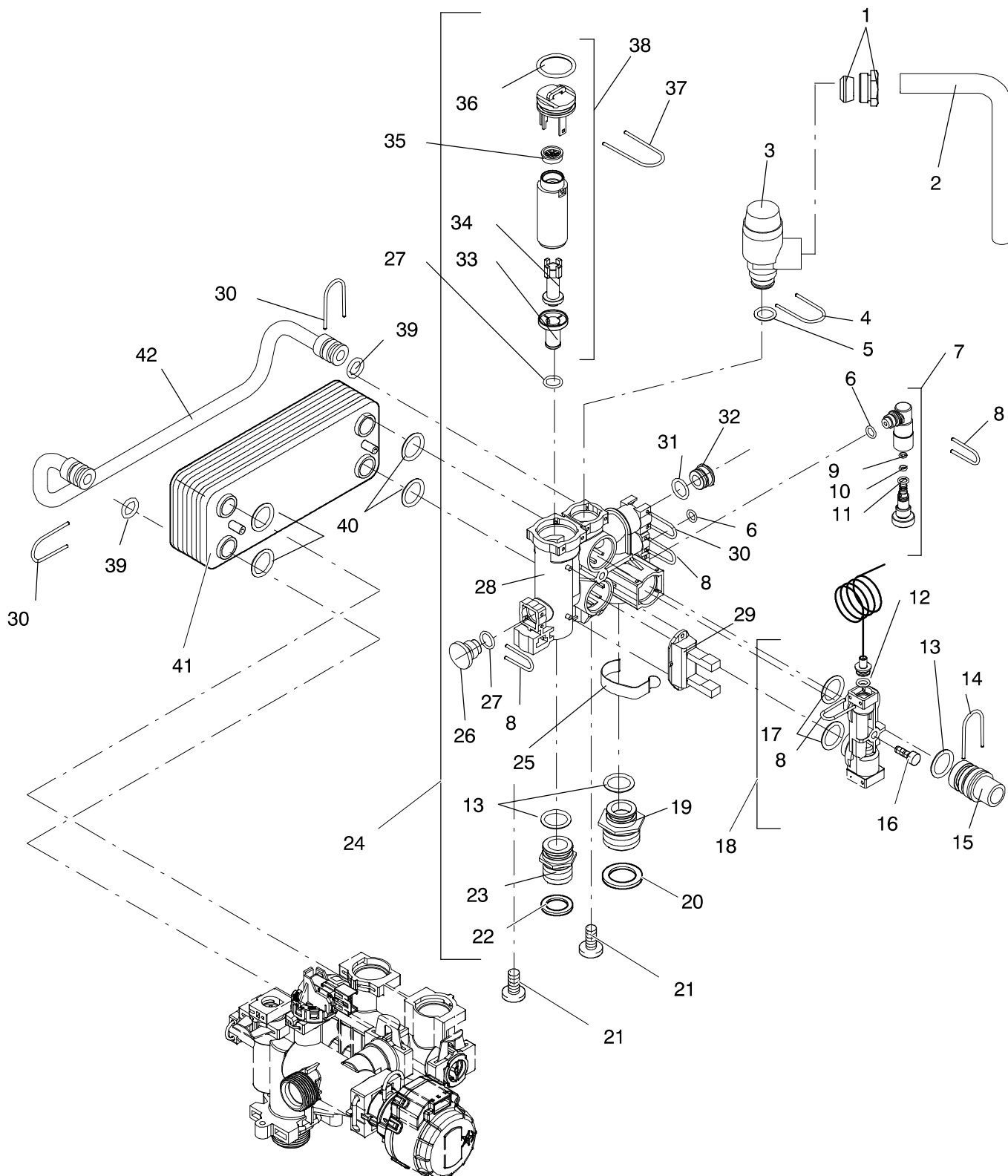
DATA BADGE: inner side of left case panel



M96A.24SM/B  
M96A.28SM/B

47-583-15  
47-583-16

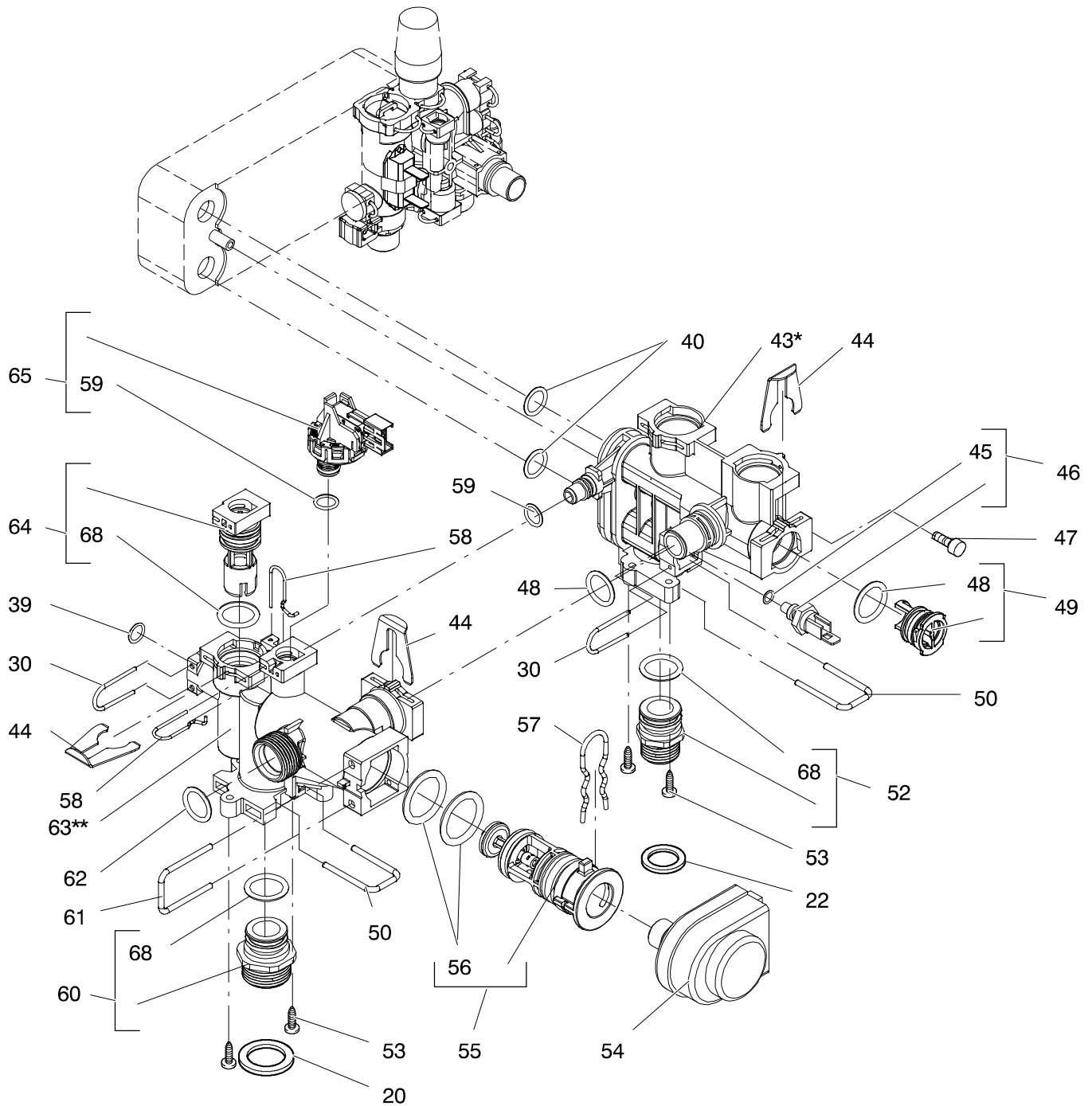
C.h. return group and d.h.w. heat exchanger



M96A.24SM/B  
M96A.28SM/B

47-583-15  
47-583-16

C.h. flow group and three way diverter valve



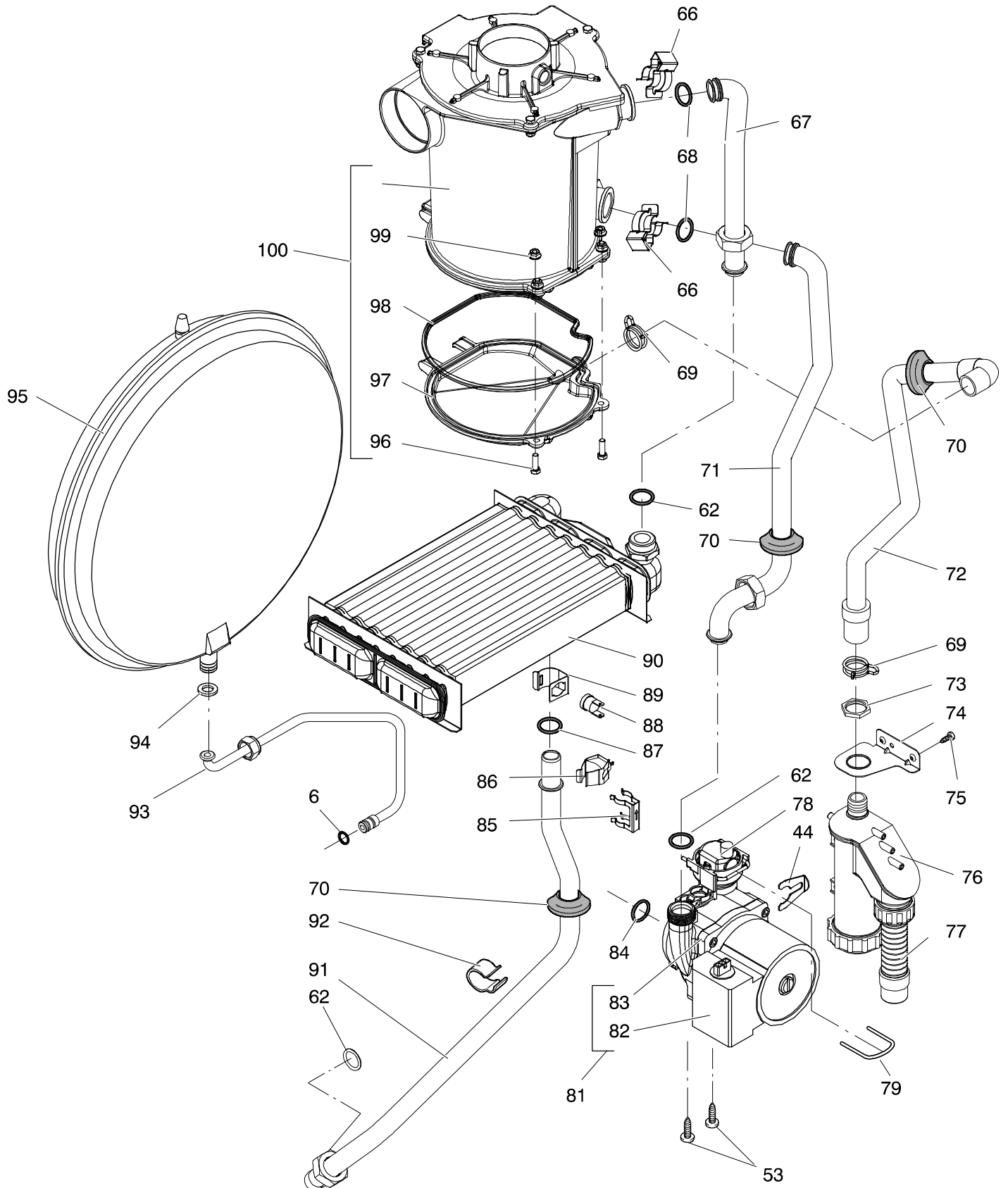
\* Includes items 40, 45, 48, 68, 59

\*\* Includes items 62, 39, 48, 68, 56, 59

M96A.24SM/B  
M96A.28SM/B

47-583-15  
47-583-16

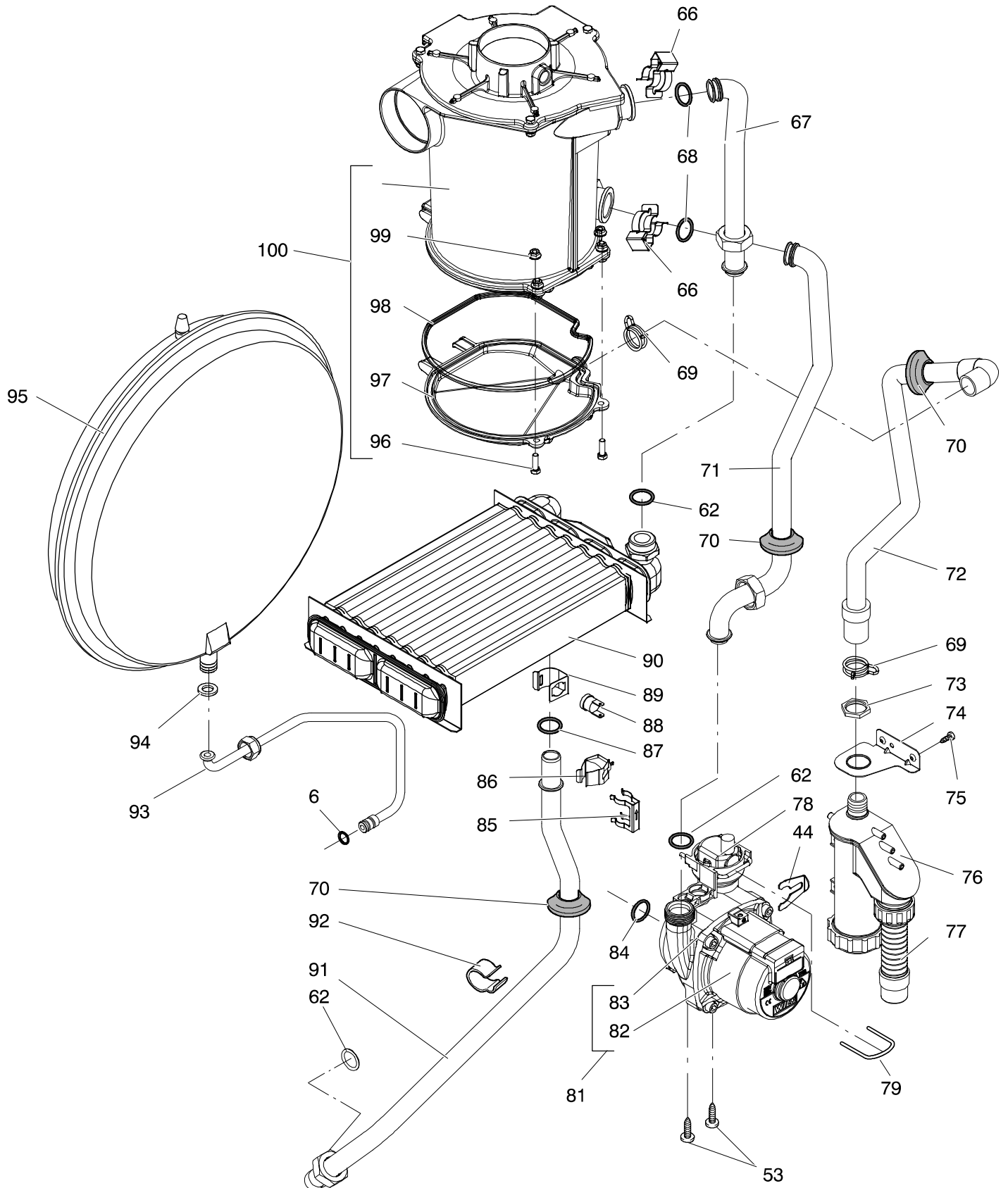
Pump and main circuit assembly up to serial no. N025650410



M96A.24SM/B  
M96A.28SM/B

47-583-15  
47-583-16

Pump and main circuit assembly from serial no. N025660410

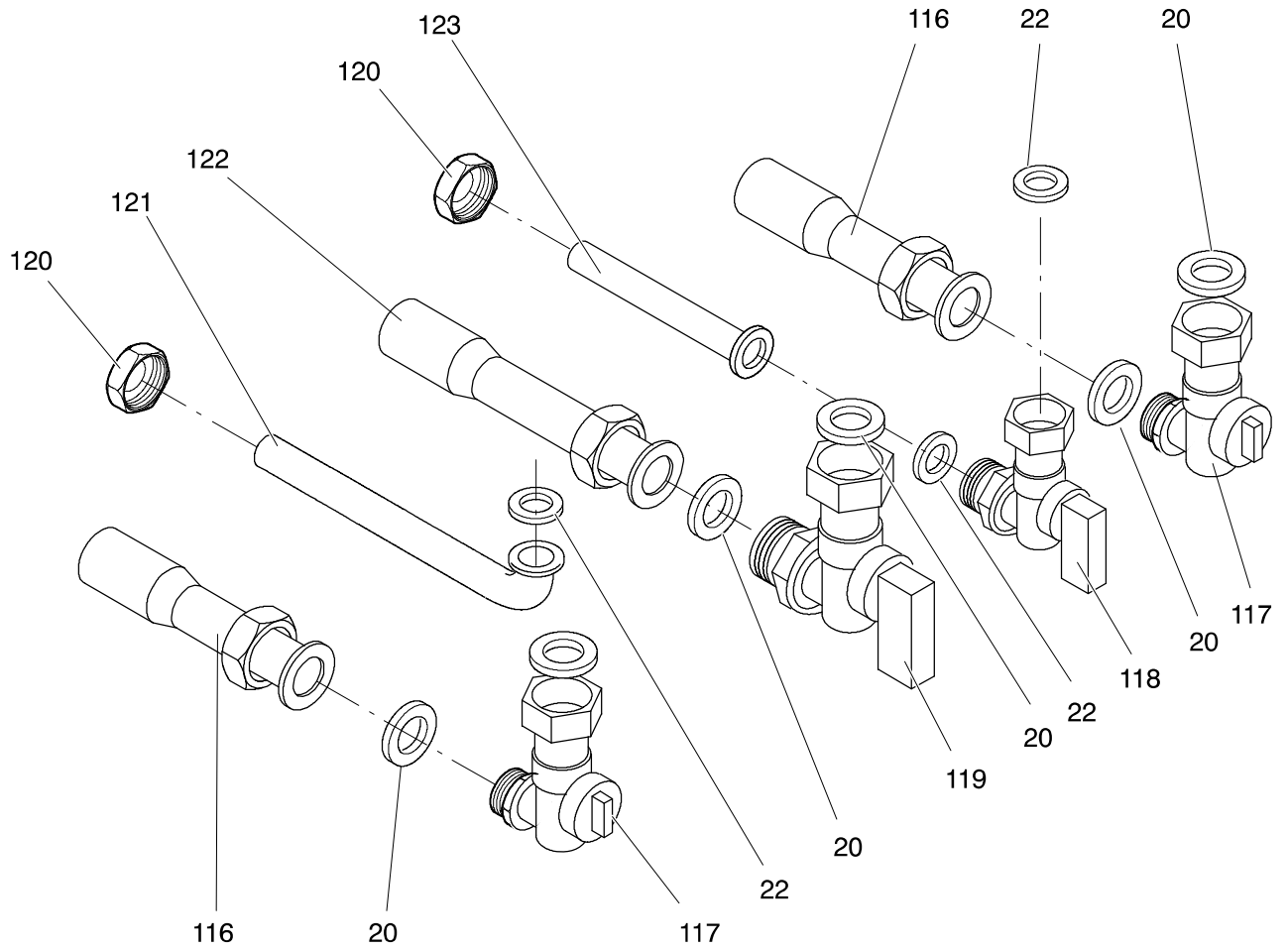




M96A.24SM/B  
M96A.28SM/B

47-583-15  
47-583-16

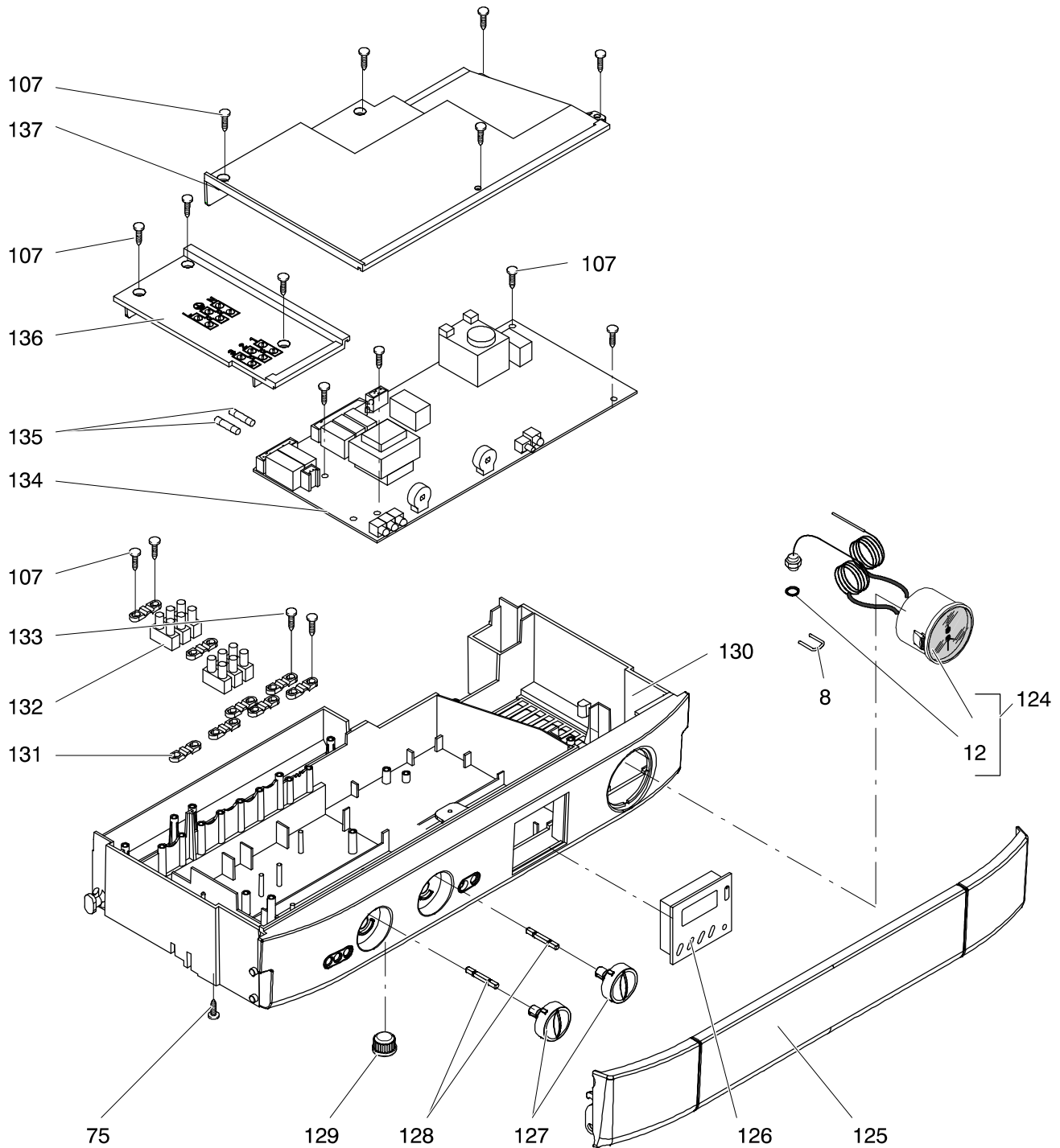
Valves and connection pipes



M96A.24SM/B  
M96A.28SM/B

47-583-15  
47-583-16

Control panel and ignition device

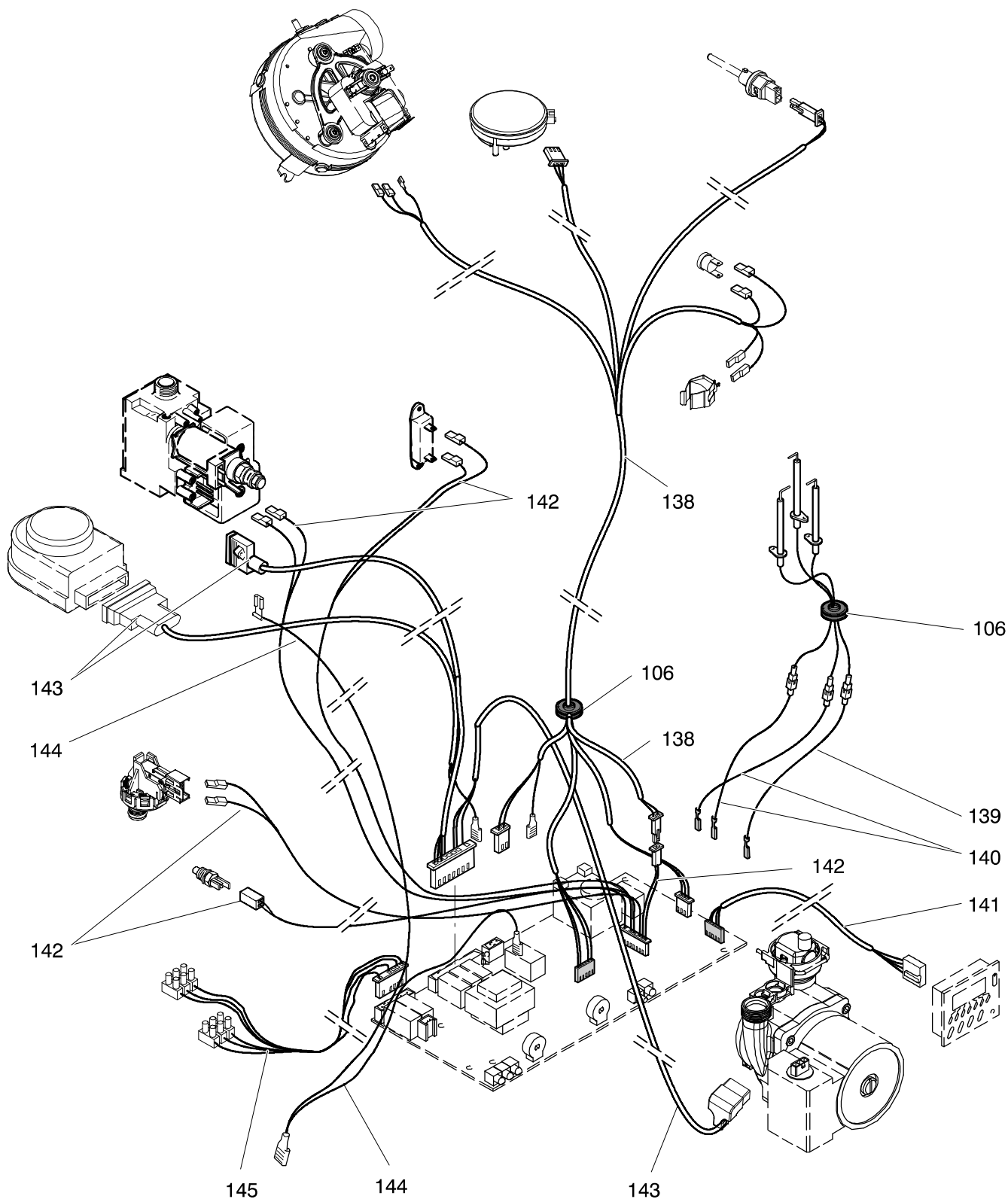




M96A.24SM/B  
M96A.28SM/B

47-583-15  
47-583-16

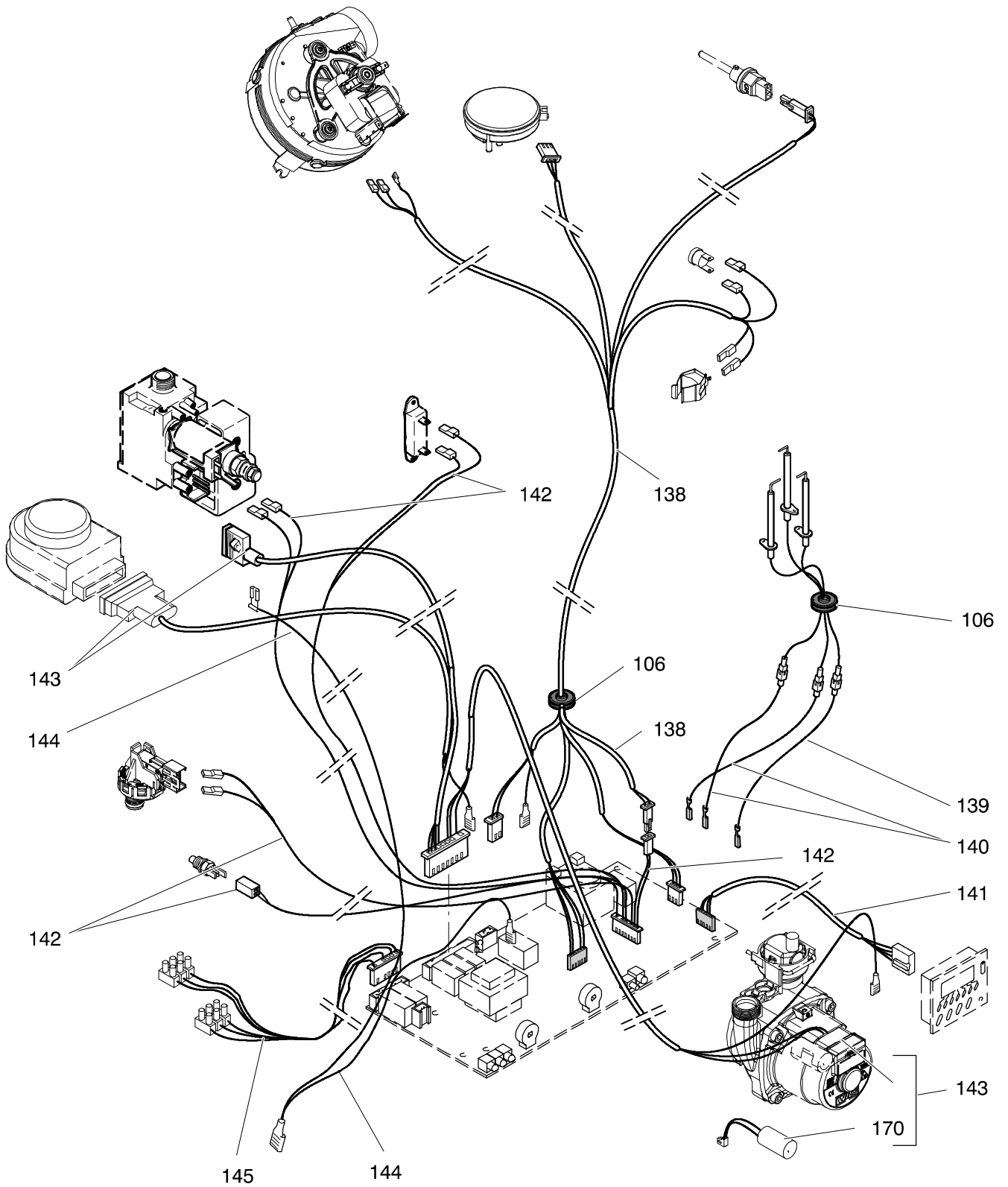
Wiring up to serial no. N025650410



M96A.24SM/B  
M96A.28SM/B

47-583-15  
47-583-16

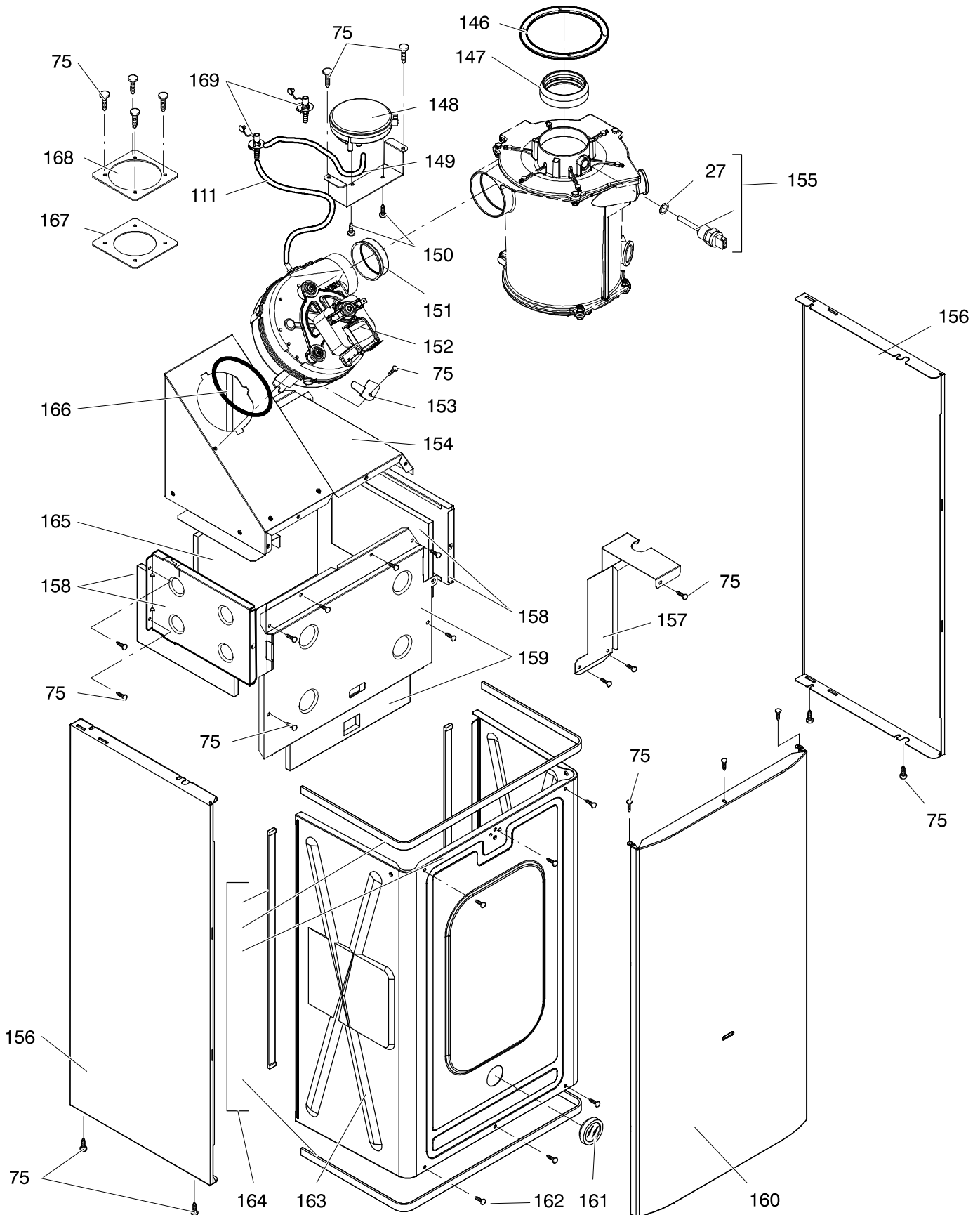
Wiring from serial no. N025660410



M96A.24SM/B  
M96A.28SM/B

47-583-15  
47-583-16

Fan, combustion chamber and case panels



Date \_\_\_\_\_

Sheet 1 of 9Manufacturer Biasi SpA – ItalyAppliance(s) M96A.24SM/B, M96A.28SM/BGC Appliance Number(s) 47-583-15, 47-583-16

Contract Name \_\_\_\_\_

Telephone Number \_\_\_\_\_

(a)	(b)	(c)	(d)	(e)	(f)	(g)	(h)	(i)	(j)	(k)
Key no.	GC Part Number	Description	No. Off	Makers part number which have a CG number	Maker's old part number which have since been changed	Maker's new part number which DO NOT have a GC number	M B F	Original Supplier	Original Supplier part number	Retail price excl. VAT
		Position of data badge: inner side of left case panel								
		Instructions booklets set up to serial no. N025650410	1			BI1913 512	M			
		Instructions booklets set from serial no. N025660410	1			BI1913 521	M			
1	E23-759	Safety valve connection	1	BI1001 127			M			
2	H05-158	Safety valve connection pipe	1	BI1131 106			M			
3	H50-189	Safety valve 3 bar	1	BI1181 100			B	Watts Intermes	3 bar	
4	H50-480	Fork P.18,5	1	BI1181 101			M			
5	H50-481	O-ring gasket 2,62x15,08	1	BI1181 102			M			
6	H50-484	O-ring gasket 1,78x7,66	2	BI1182 108			M			
7	H50-398	Drainage valve	1	BI1181 501			M			
8	H50-473	Fork P.10,5	4	BI1181 107			M			
9	169-050	O-ring gasket 1,78x2,9	1	KI1043 145			M			
10	H50-488	O-ring gasket 1,78x3,69	1	BI1181 120			M			
11	169-014	O-ring gasket 1,78x6,07	1	KI1002 119			M			
12	E83-144	O-ring gasket 1,78 x 6,75	1	BI1475 119			M			
13	H50-467	O-ring gasket 2,62x17,13	3	BI1181 112			M			
14	169-026	Fork P.20.5	1	KI1031 101			M			
15	H50-487	Pump connection	1	BI1301 102			M			
16	H58-648	Screw M5x55 – Hexagon socket cap	1	BI1301 105			M			
17	H74-525	O-ring gasket 3x17	2	KI1003 114			M			
18	H50-491	Filling group kit	1	BI1181 507			M			
19	H50-470	Threaded connection c.h.	1	BI1181 114			M			
20	169-033	Flat gasket 3/4"	9	BI1001 108			M			
21	402-325	Screw M6x10 – BZP RPH	2	BI1172 115			F			
22	169-141	Gasket 1/2"	3	BI1001 106			M			

CONTINUATION SHEETSheet 2 of 9Appliance number(s) 47-583-15, 47-583-16

(a)	(b)	(c)	(d)	(e)	(f)	(g)	(h)	(i)	(j)	(k)
Key no.	GC Part Number	Description	No. Off	Makers part number which have a CG number	Maker's old part number which have since been changed	Maker's new part number which DO NOT have a GC number	M B F	Original Supplier	Original Supplier part number	Retail price excl. VAT
23	H50-468	Threaded connection d.h.w.	1	Bl1181 115			M			
24	H50-492	Return group kit up to serial no. N025650410	1	Bl1301 501			M			
		Return group kit from serial no. N025660410	1			Bl1411 501	M			
25	H50-471	Reed fixing clip	1	Bl1181 116			M			
26	H50-478	Return proup plug	1	Bl1181 117			M			
27	H50-475	O-ring gasket 1,78x10,82	3	Bl1181 110			M			
28	H50-399	Return group kit up to serial no. N025650410	1	Bl1301 100			M			
		Return group kit from serial no. N025660410	1			Bl1411 100	M			
29	169-010	D.h.w. flow switch	1	Kl1042 107			M			
30	169-015	Fork P.14	3	Kl1042 101			M			
31	E00-668	O-ring gasket 1,78x12,42	1	Bl1001 115			M			
32	H50-482	Return proup plug	1	Bl1181 104			M			
33	H50-490	Filter	1	Bl1181 106			M			
34	169-008	Float	1	Kl1042 106			M			
35	H58-649	Flow limiter 10 Litres/min	1	Bl1301 103			M			
35 A	H74-526	Flow limiter 14 Litres/min	1	Bl1301 106			M			
36	E00-680	O-ring gasket 2,62x23,47	1	Bl1011 107			M			
37	H50-479	Fork P.20	1	Bl1181 103			M			
38	H50-400	Magnetic flow switch and filter kit	1	Bl1181 500			M			
39	164-036	O-ring gasket 2,62x10,78	1	Kl1002 121			M			
40	169-060	O-ring gasket 18,64x3,53	4	Kl1043 144			M			
41	E01-204	Exchanger DHW - M96A.24SM/B,	1	Bl1001 101			M			
41 A	E01-205	Exchanger DHW - M96A.28SM/B,	1	Bl1001 102			M			
42	H74-607	By-pass pipe	1	Bl1301 107			M			
43	H74-527	Flow group kit d.h.w. up to serial no. N025650410	1	Bl1351 100			M			

CONTINUATION SHEETSheet 3 of 9Appliance number(s) 47-583-15, 47-583-16

(a)	(b)	(c)	(d)	(e)	(f)	(g)	(h)	(i)	(j)	(k)
Key no.	GC Part Number	Description	No. Off	Makers part number which have a CG number	Maker's old part number which have since been changed	Maker's new part number which DO NOT have a GC number	M B F	Original Supplier	Original Supplier part number	Retail price excl. VAT
		Flow group kit d.h.w. from serial no. N025660410	1			BI1421 100	M			
44	H20-987	Pump connection fork	1	BI1262 116			M			
45	169-017	O-ring gasket 1,9x5,7	1	KI1042 102			M			
46	169-016	Temperature probe NTC d.h.w.	1	KI1042 501			M			
47	H74-528	Screw M5x35 - Hexagon socket cap	1	BI1351 101			F			
48	H74-529	O-ring gasket 2,62x15,54	2	BI1351 102			M			
49	H74-530	Flow group kit d.h.w. plug	1	BI1351 103			M			
50	H74-531	Fork P21,6	2	BI1351 104			M			
52	H74-533	Threaded connection d.h.w.	1	BI1351 106			M			
53	H74-534	Tapping screw 5x12	4	BI1351 107			F			
54	H74-535	Diverter valve actuator	1	BI1351 108			M			
55	H74-536	Diverter valve kit	1	BI1351 109			M			
56	E00-680	O-ring gasket 2,62x23,47	2	BI1011 107			M			
57	H74-538	Diverter valve actuator fixing spring	1	BI1351 111			M			
58	H74-539	Fork P11	2	BI1351 112			M			
59	H74-540	O-ring gasket 1,90x8,90	1	BI1351 113			M			
60	H74-541	Threaded connection c.h.	1	BI1351 114			M			
61	H74-542	Fork P26	1	BI1351 115			M			
62	H20-981	O-ring gasket 2X17	2	BI1262 114			M			
63	H74-543	Flow group kit c.h. up to serial no. N025650410	1	BI1351 116			M			
		Flow group kit c.h. from serial no. N025660410	1			BI1421 101	M			
64	H74-544	By-pass kit	1	BI1351 117			M			
65	H74-545	Primary circuit pressure switch	1	BI1351 118			M			
66	H58-664	Condensing heat exchanger connection clip	2	BI1432 106			M			
67	H74-546	Condensing heat exchanger outlet pipe	1	BI1442 100			M			

CONTINUATION SHEETSheet 4 of 9Appliance number(s) 47-583-15, 47-583-16

(a)	(b)	(c)	(d)	(e)	(f)	(g)	(h)	(i)	(j)	(k)
Key no.	GC Part Number	Description	No. Off	Makers part number which have a CG number	Maker's old part number which have since been changed	Maker's new part number which DO NOT have a GC number	M B F	Original Supplier	Original Supplier part number	Retail price excl. VAT
68	H20-970	O-ring gasket 2,62x17.86	2	Bl1262 112			M			
69	H20-972	Connection spring	2	Bl1262 117			F			
70	169-104	Grommet	4	Bl1002 113			M			
71	H74-547	Condensing heat exchanger inlet pipe	1	Bl1442 101			M			
72	H74-548	Condensate discharge pipe	1	Bl1442 102			M			
73	169-142	Lock-nut	1	Kl1005 107			M			
74	H74-549	Condensate trap holder bracket	1	Bl1442 103			M			
75	409-722	Tapping Screw ISO No8 B 4,2x9,5 Recessed Pan Head	34	Bl1013 110			F			
		Hardened Steel BS4174 Bright Zinc plate BS1706 Clear								
		Passivated								
76	H74-550	Condensate trap	1	Bl1442 104			M			
77	H74-551	Condensate connection hose	1	Bl1442 105			M			
78	H20-986	Automatic air purger valve	1	Bl1212 107			M			
79	H20-990	Fork	1	Bl1262 120			M			
81	H58-670	Pump (complete) up to serial no. N025650410	1	Bl1911 103			M	Wilo	NFSL12/6HEP1 CRF9 83W	
		Pump (complete) from serial no. N025660410	1			Bl1542 100	M	Wilo	INTNFSL12/6HEP1 83W	
82	H20-994	Pump (motor) up to serial no. N025650410	1	Bl1262 119			B			
		Pump (motor) from serial no. N025660410	1			Bl1542 101	B			
83	E83-114	Pump gasket	1	Bl1172 113			M			
84	H20-945	O-ring gasket 17,04x4,00	5	Bl1212 112			M			
85	E94-737	Main exchanger connection clip	1	Bl1182 106			M			
86	H74-553	Spring mounting temperature probe	1	Bl1442 106			M			
87	169-025	O-ring gasket 17,04x3,53	1	Kl1043 114			M			
88	E83-101	Overheat thermostat	1	Bl1172 105			B	Elth	261 105°C	
89	E94-723	Overheat thermostat fixing clip	1	Bl1182 100			M			

CONTINUATION SHEETSheet 5 of 9Appliance number(s) 47-583-15, 47-583-16

(a)	(b)	(c)	(d)	(e)	(f)	(g)	(h)	(i)	(j)	(k)
Key no.	GC Part Number	Description	No. Off	Makers part number which have a CG number	Maker's old part number which have since been changed	Maker's new part number which DO NOT have a GC number	M B F	Original Supplier	Original Supplier part number	Retail price excl. VAT
90	H20-984	Main exchanger M96A.24SM/B	1	Bl1262 101			M			
90 A	H45-158	Main exchanger M96A.28SM/B	1	Bl1262 130			M			
91	H74-555	Main exchanger outlet pipe	1	Bl1442 110			M			
92	169-045	Probe holder	1	Bl1105 108			M			
93	H63-536	Expansion vessel connection pipe	1	Bl1432 110			M			
94	H03-727	Flat gasket 3/8" O.D 15 mm, i.d. 8.5 mm	2	Bl1202 105			M			
95	E83-121	Expansion vessel	1	Bl1172 103			B	CIMM Srl - Castello di Godego Italy	CP387 6L	
								Zilmet - Italy (alternative)	13C0000600	
96	H74-556	Screw M5x16 mm Hexagon head	1	Bl1442 112			F			
97	H74-557	Condensing heat exchanger bottom cover	1	Bl1442 109			M			
98	H74-560	Condensing heat exchanger gasket	1	Bl1442 108			M			
99	H74-562	Flanged nut M5 Hexagon	1	Bl1442 111			F			
100	H74-563	Condensing heat exchanger	1	Bl1442 107			M			
101	169-069	Injectors with gaskets 130 - NG	14	Kl1064 505			B	Polidoro		
101 A	169-070	Injectors with gaskets 77 - LPG	14	Kl1064 506			B	Polidoro		
102	173-148	Burner M96A.24SM/B	1	Kl1004 102			B	Polidoro		
102 A	173-149	Burner M96A.28SM/B	1	Kl1004 147			B	Polidoro		
103	E83-122	Detection electrode	1	Bl1123 102			M			
104	E83-126	Ignition electrode - right	1	Bl1123 103			M			
105	E83-127	Ignition electrode - left	1	Bl1123 101			M			
106	169-125	Grommet	1	Bl1002 115			M			
107	409-736	Tapping screw 3,5x9,5 recessed pan head	28	Bl1013 115			F			
108	409-531	Taptite screw M4x8 Recessed pan head Hardened steel	4	Bl1013 111			F			
		Bright Zinc Plated BS3382 Clear passivated and lanolin								
		Dipped								



CONTINUATION SHEETSheet 6 of 9Appliance number(s) 47-583-15, 47-583-16

(a)	(b)	(c)	(d)	(e)	(f)	(g)	(h)	(i)	(j)	(k)
Key no.	GC Part Number	Description	No. Off	Makers part number which have a CG number	Maker's old part number which have since been changed	Maker's new part number which DO NOT have a GC number	M B F	Original Supplier	Original Supplier part number	Retail price excl. VAT
109	H74-564	Compensating pressure sampling terminal	1	BI1213 105			M			
110	H74-565	Air deflector	1	BI1213 104			M			
111	E83-188	Fan pressure connection tube	1	BI1256 101			M			
112	402-124	Machine Screw M4x8 mm Recessed pan head Mild steel	2	BI1013 114			F			
		BS4183 Bright zinc plate BS3382 Clear passiv.								
113	H03-746	Gas valve	1	BI1193 105			B	Sit	0.845.083	
113 A	H08-602	Gas valve on-off operator coils		BI1093 107			B	Sit	0.967.158	
114	H21-019	Gas pipe to the manifold	1	BI1213 100			M			
115	E83-131	Gas manifold with injectors NG M96A.24SM/B	1	BI1183 103			B	Polidoro		
115 A	E83-132	Gas manifold with injectors LPG M96A.24SM/B	1	BI1183 104			B	Polidoro		
115 B	E83-133	Gas manifold with injectors NG M96A.28SM/B	1	BI1183 105			B	Polidoro		
115 C	E83-134	Gas manifold with injectors LPG M96A.28SM/B	1	BI1183 106			B	Polidoro		
116	H21-025	C.h. connection pipe	2	BI1124 100			M			
117	E83-136	Tap 3/4" - c.h.	2	BI1084 105			B			
118	E83-137	Tap 1/2" - d.h.w.	1	BI1084 101			B			
119	E83-138	Tap 3/4" - gas	1	BI1084 100			B			
120	E01-226	Nut 1/2"	2	BI1004 101			M			
121	H21-027	Pipe 15 mm dia (bent) d.h.w.	1	BI1124 102			M			
122	H21-025	Pipe 22 mm dia gas	1	BI1124 100			M			
		(replacement for discontinued BI1014 112)								
123	H21-030	Pipe 15 mm dia (straight) d.h.w.	1	BI1124 103			M			
124	E83-145	Temperature-pressure gauge	1	BI1475 108			M			
125	E94-886	Cover panel M96A.24SM/B, M96A.28SM/B	1	BI1535 100			M			
126	E94-738	Time switch M96A.24SM/B, M96A.28SM/B	1	BI1525 101			B	Flash	Monotron 200 23011	
127	E94-887	Knob M96A.24SM/B, M96A.28SM/B	2	BI1535 101			M			

CONTINUATION SHEETSheet 7 of 9Appliance number(s) 47-583-15, 47-583-16

(a)	(b)	(c)	(d)	(e)	(f)	(g)	(h)	(i)	(j)	(k)
Key no.	GC Part Number	Description	No. Off	Makers part number which have a CG number	Maker's old part number which have since been changed	Maker's new part number which DO NOT have a GC number	M B F	Original Supplier	Original Supplier part number	Retail price excl. VAT
128	E83-149	Shaft	2	Bl1475 105			M			
129	E83-150	Control panel plug	1	Bl1475 110			M			
130	H38-981	Control panel box M96A.24SM/B, M96A.28SM/B	1	Bl1715 101			M			
131	E83-152	Cable holder.	10	Kl1066 208			B	Fastpoint S.r.l.	1207.BB01 XS	
132	E83-153	Terminal block	2	Bl1475 109			B	Elettrogibi	PA27	
								Odoardo Korner (alternative)	OK-433-FV	
133	409-727	Screw 3,5x16 mm self tap RPH	8	Bl1165 101			F			
134	H74-566	Electronic control - ignition p.c.b.	1	Bl2015 100			M			
135	H44-170	Fuse 3,15AF	2	Bl1295 108			B			
136	E83-155	Service panel cover	1	Bl1475 111			M			
137	E83-156	Control panel cover	1	Bl1475 112			M			
138	H74-567	Fan cable	1	Bl2025 100			M			
139	H46-365	Flame detection electrode cable	1	Bl1765 115			M			
140	H32-570	Ignition electrode cable	2	Bl1765 102			M			
141	H74-569	Time switch cable up to serial no. N050511108	1	Bl2025 102			M			
	E83-163	Time switch cable from serial no. N050521108	1	Bl1485 111			M			
142	H74-570	Flow switches, temp. probes and modulator cable	1	Bl2025 101			M			
143	H74-571	Pump-diverter valve-gas valve cable up to serial no.	1	Bl2025 103			M			
		N025650410								
		Pump-diverter valve-gas valve cable from serial no.	1			Bl2175 100	M			
		N025660410								
144	H74-572	Earth wiring	1	Bl1765 121			M			
145	H39-041	Power supply and external control cable	1	Bl1675 106			M			
146	169-110	Flue pipe gasket	1	Bl1016 104			M			
147	H74-575	Flue outlet gasket	1	Bl1536 101			M			

CONTINUATION SHEETSheet 8 of 9Appliance number(s) 47-583-15, 47-583-16

(a)	(b)	(c)	(d)	(e)	(f)	(g)	(h)	(i)	(j)	(k)
Key no.	GC Part Number	Description	No. Off	Makers part number which have a CG number	Maker's old part number which have since been changed	Maker's new part number which DO NOT have a GC number	M B F	Original Supplier	Original Supplier part number	Retail price excl. VAT
148	H74-576	Air pressure sensor	1	Bl1536 103			B	Huba Control	401.93000	
149	E01-187	Flue pressure switch tube	1	Bl1016 107			M			
150	E23-759	Screw 2,9x4,5 Recessend Pan Head Hardened Steel	2	Bl1002 127			F			
		BS4174 Bright Zinc plate BS1706 Clear Passivated								
151	H74-577	Fan outlet gasket	1	Bl1536 102			M			
152	H74-578	Fan M96A.24SM/B	1	Bl1536 105			B	FIME	GR03630 47W	
152 A	H74-580	Fan M96A.28SM/B	1	Bl1536 106			B	FIME	GR03625 60W	
153	H74-583	Fan holder bracket	1	Bl1536 107			M			
154	H74-584	Flue hood M96A.24SM/B	1	Bl1536108			M			
154 A	H74-585	Flue hood M96A.28SM/B	1	Bl1536 109			M			
155	H74-589	Flue temperature probe NTC	1	Bl1536 104			M			
156	H21-052	Side case panel M96A.24SM/B, M96A.28SM/B	2	Bl1406 106			M			
157	H74-590	Air deflector - right	1	Bl1536 112			M			
158	E83-178	Combustion chamber side panel	2	Bl1326 100			M			
159	H74-591	Combustion chamber front panel M96A.24SM/B	1	Bl1536 110			M			
159 A	H74-592	Combustion chamber front panel M96A.28SM/B	1	Bl1536 111			M			
160	H21-057	Front case panel M96A.24SM/B, M96A.28SM/B	1	Bl1406 107			M			
161	E69-243	Window (glass + rubber frame)	1	Bl1206 118			M			
162	409-747	Screw 4,8x13 mm AB self tapping RPH BZP	4	Bl1336 114			F			
163	H21-059	Sealed chamber lid	1	Bl1406 105			M			
164	H21-060	Sealed chamber gaskets kit	1	Bl1406 500			M			
165	E83-180	Combustion chamber rear panel M96A.24SM/B	1	Bl1326 107			M			
165 A	E83-181	Combustion chamber rear panel M96A.28SM/B	1	Bl1326 108			M			
166	H21-063	Fan inlet gasket	1	Bl1406 111			M			
167	H21-070	Air restrictor d. 50	1	Bl1406 115			M			

