

M90F.24S  
M90F.28S

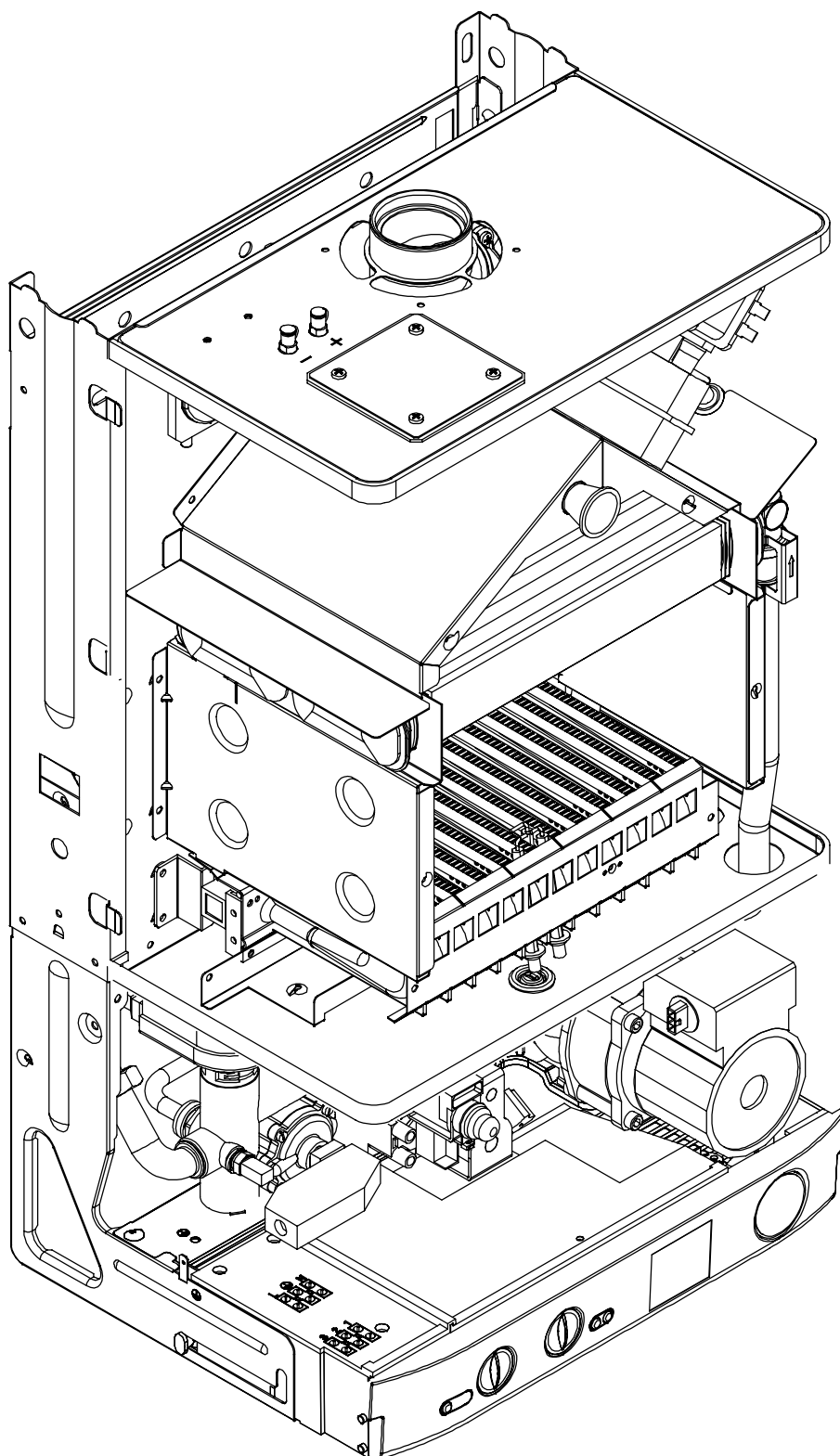
47-970-19  
47-970-20

M90F.24S

47-970-22

Overall view

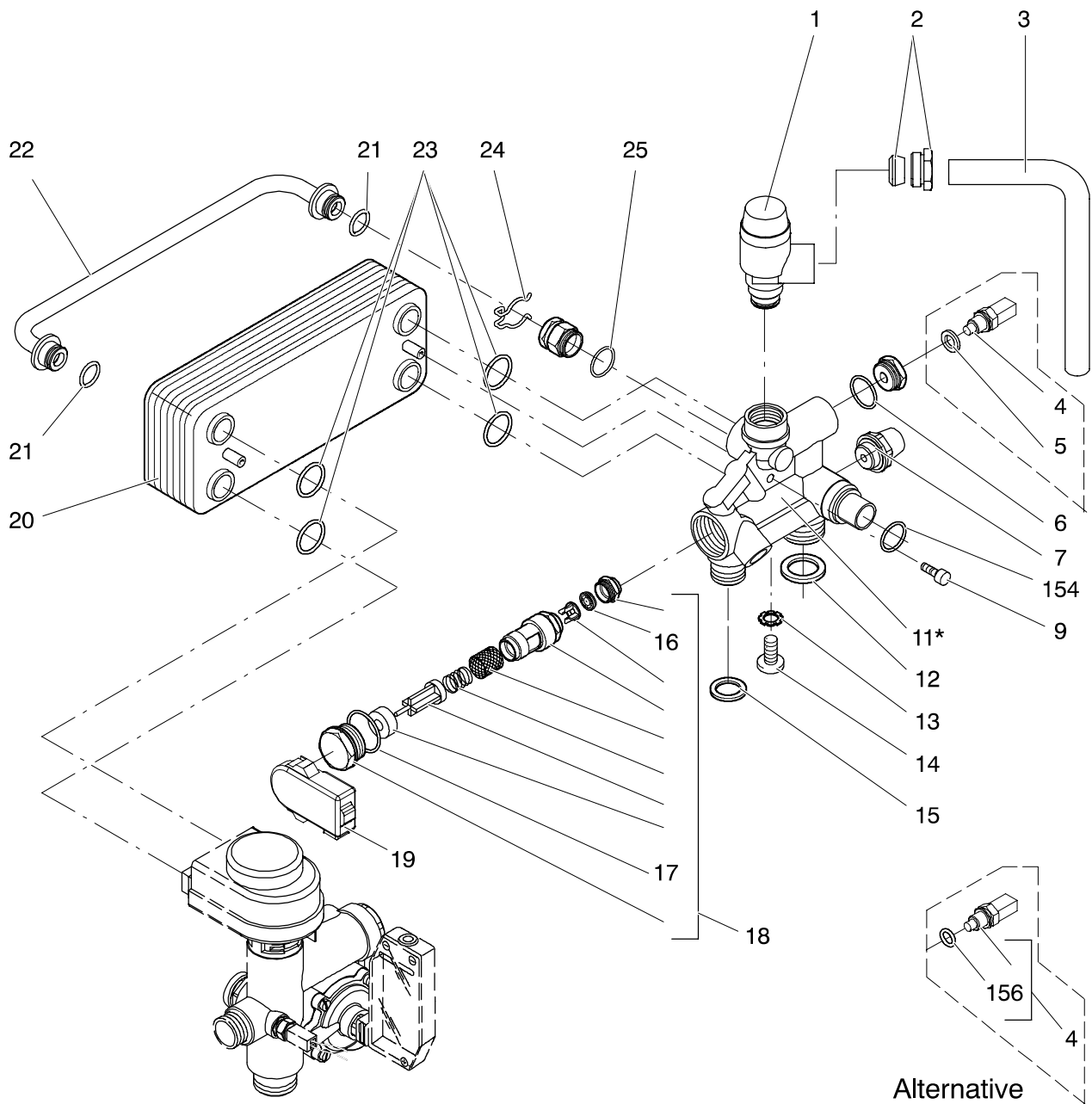
DATA BADGE: inner side of left case panel



M90F.24S  
M90F.28S  
M90F.32S

47-970-19  
47-970-20  
47-970-22

C.h. return group and d.h.w. heat exchanger  
up to serial no. N124501006

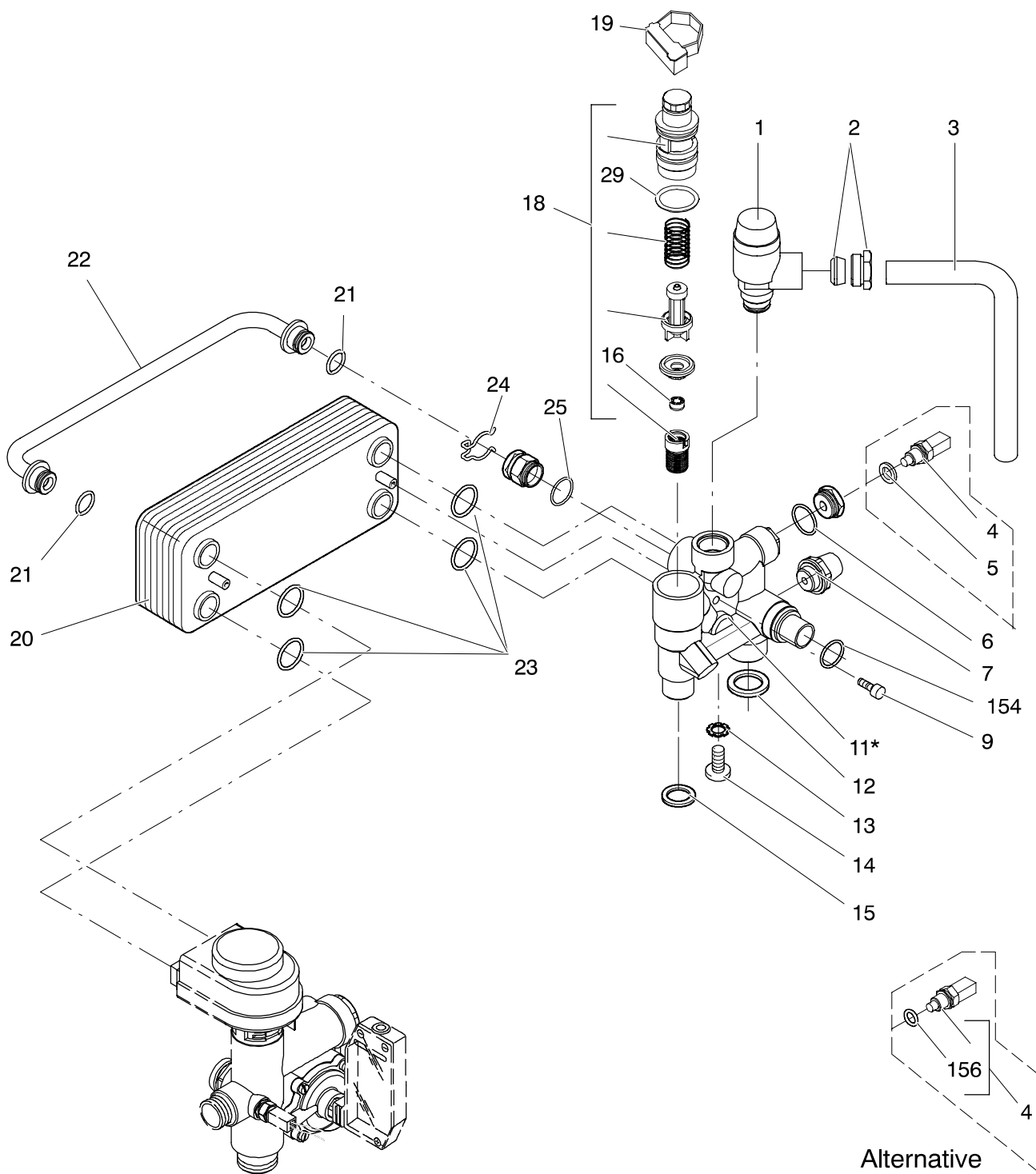


\* Includes items 6, 18, 25

M90F.24S  
M90F.28S  
M90F.32S

47-970-19  
47-970-20  
47-970-22

C.h. return group and d.h.w. heat exchanger  
from serial no. N124511006

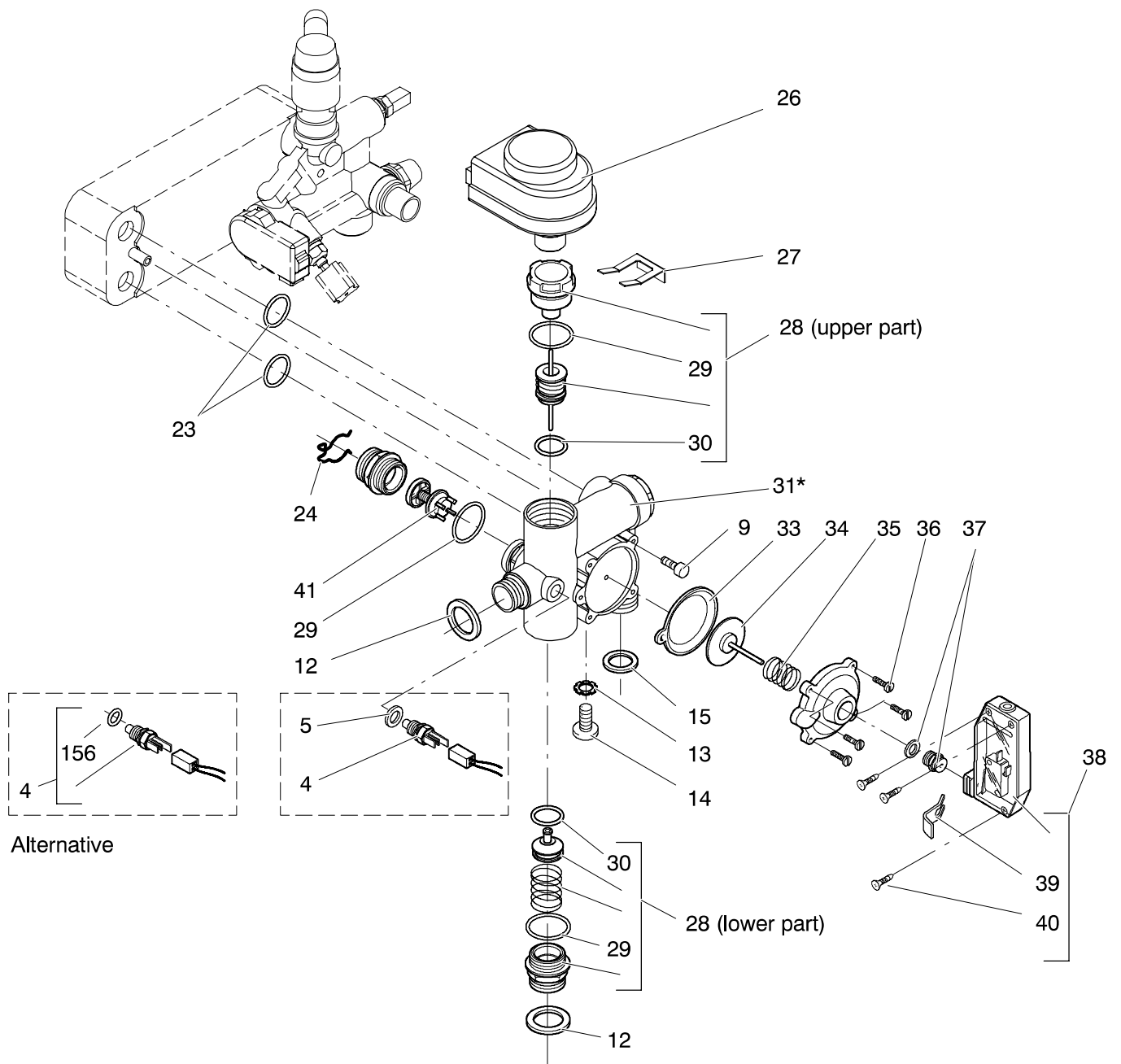


\* Includes items 6, 18, 25

M90F.24S  
M90F.28S  
M90F.32S

47-970-19  
47-970-20  
47-970-22

C.h. flow group and three way diverter valve



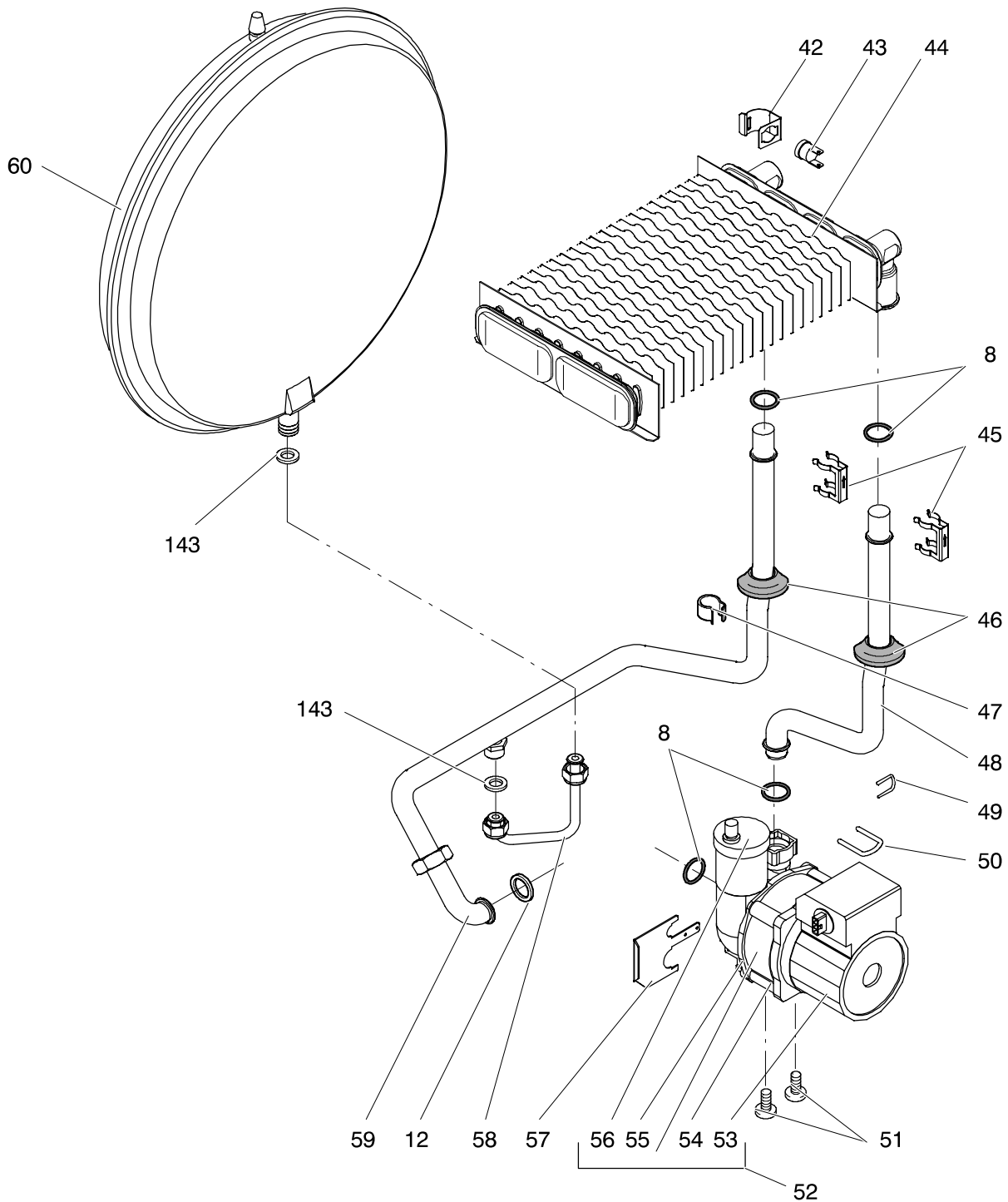
\* Includes items 28, 33, 34, 35, 36, 37, 29, 41



M90F.24S up to serial no. N024590604  
M90F.28S up to serial no. N024590604  
M90F.32S up to serial no. N024590604

47-970-19  
47-970-20  
47-970-22

Pump and main circuit assembly

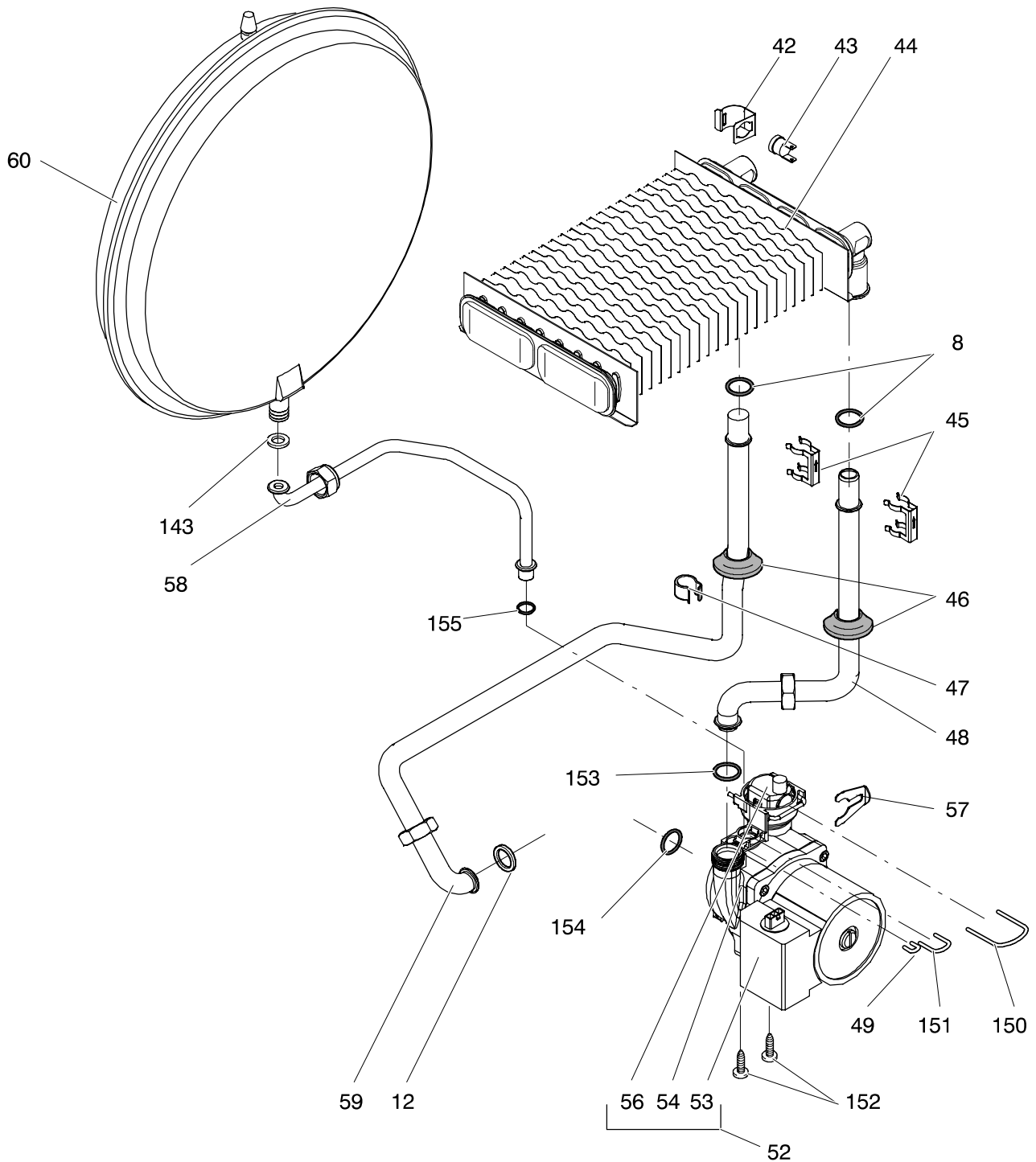


M90F.24S  
M90F.28S  
M90F.32S

47-970-19  
47-970-20  
47-970-22

Pump and main circuit assembly  
from serial no. N024600604  
up to serial no. N223980105 for M90F.24S

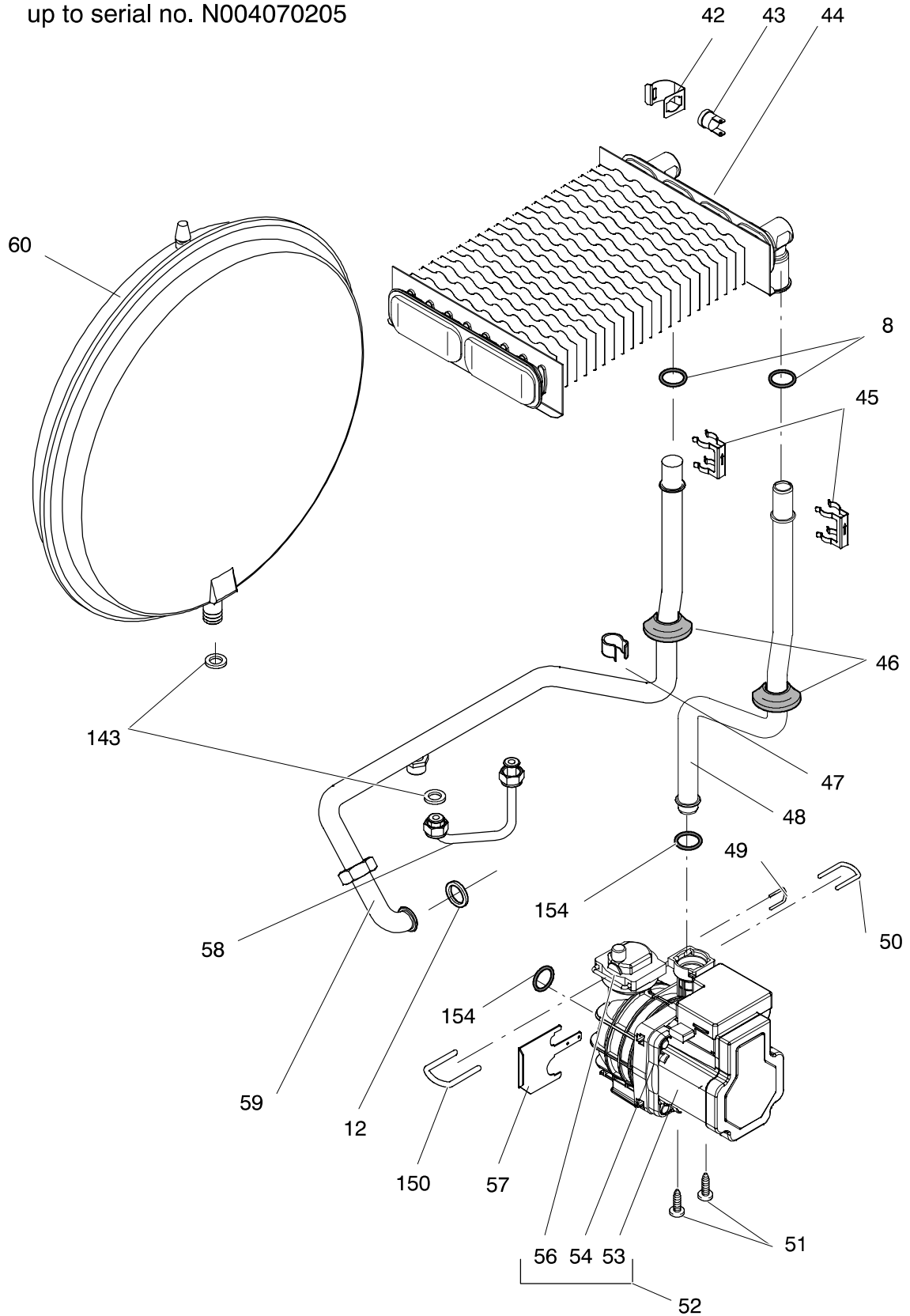
Pump and main circuit assembly  
from serial no. N004080205 for M90F.24S



M90F.24S

47-970-19

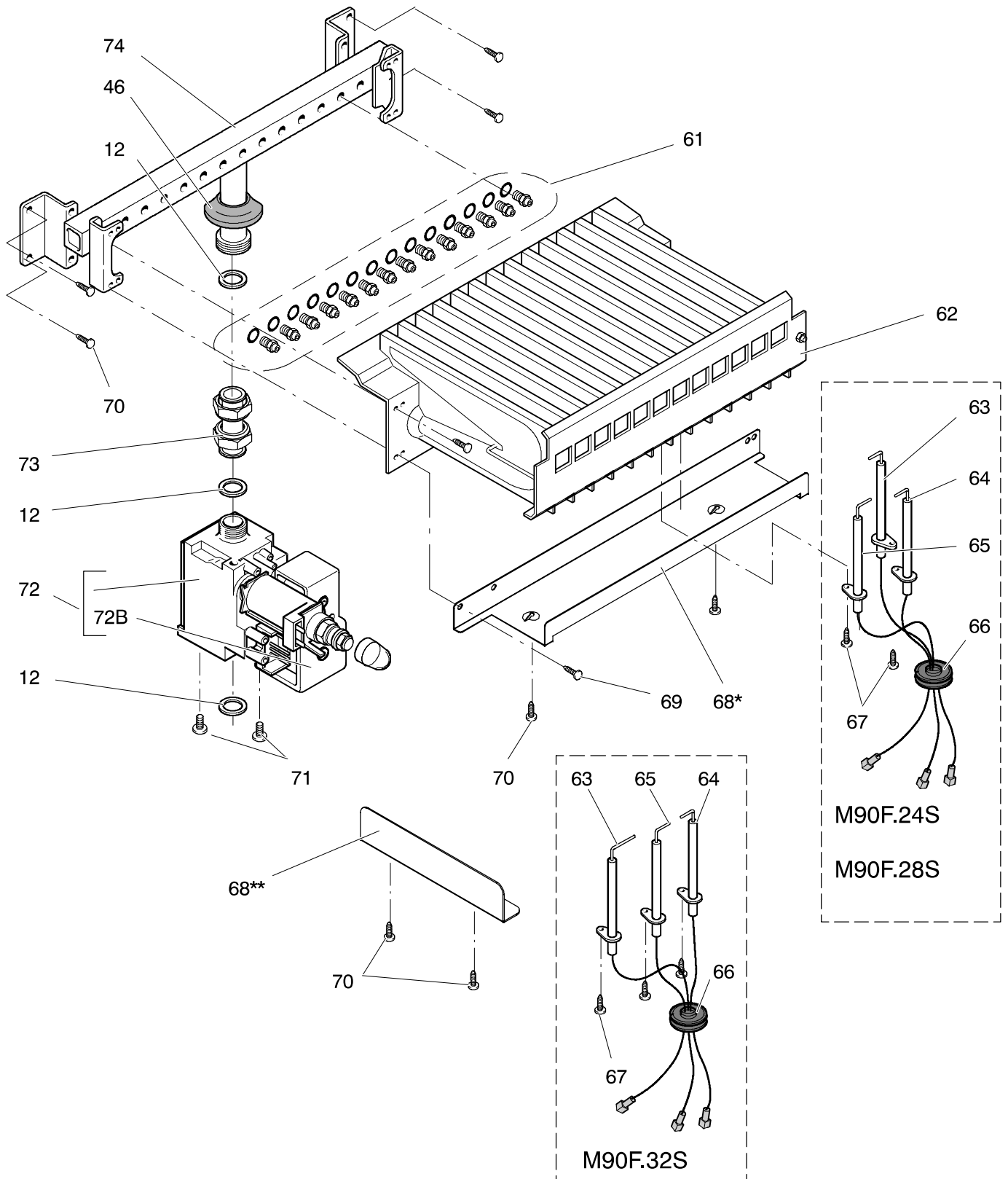
Pump and main circuit assembly  
from serial no. N223990105  
up to serial no. N004070205



M90F.24S  
M90F.28S  
M90F.32S

47-970-19  
47-970-20  
47-970-22

Gas assembly



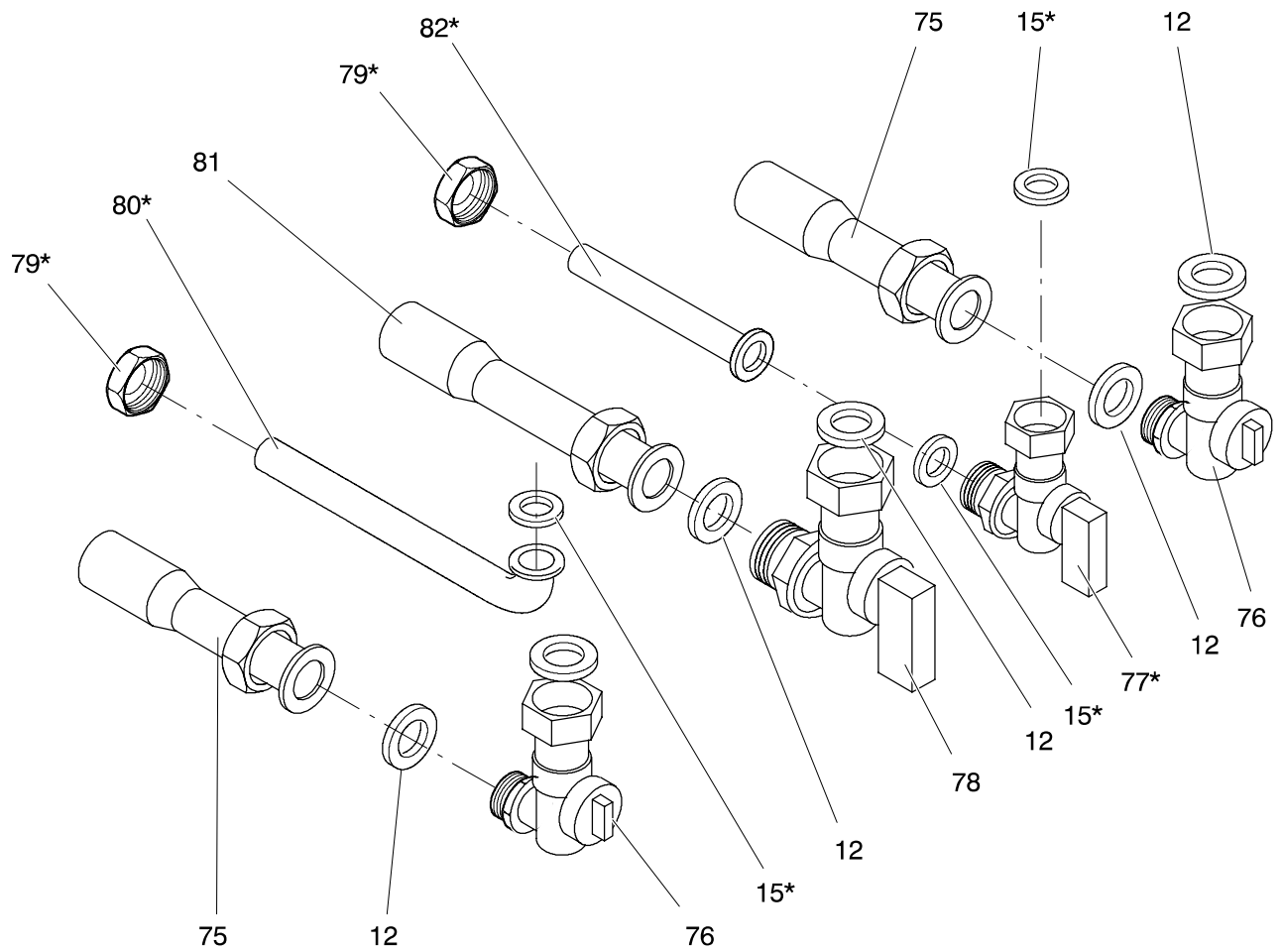
\* For models M90F.28S, M90F.28SR

\*\* For models M90F.32S

M90F.24S  
M90F.28S  
M90F.32S

47-970-19  
47-970-20  
47-970-22

Valves and connection pipes



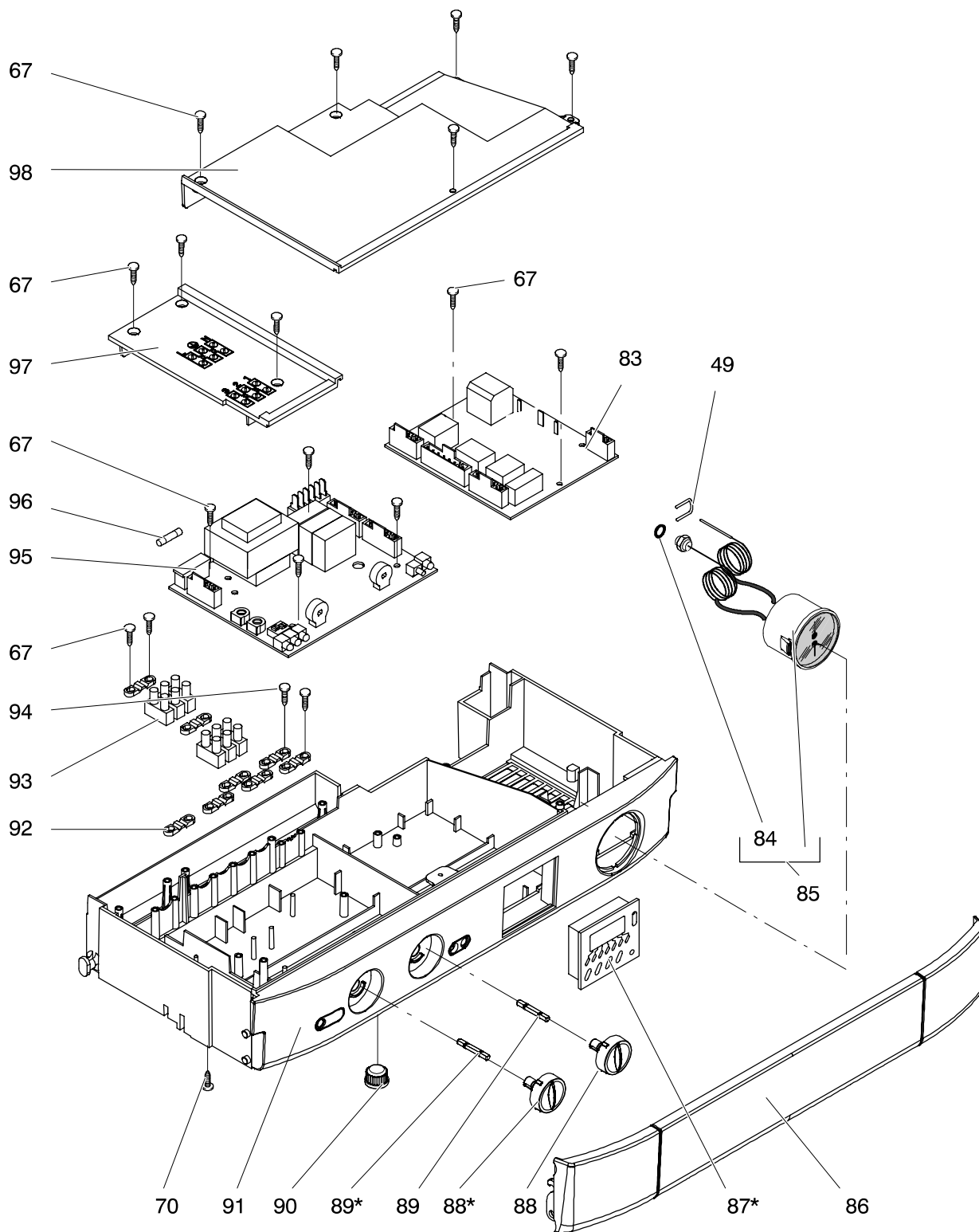
\* Not for models M90F.24SR, M90F.28SR

M90F.24S  
M90F.28S  
M90F.32S

47-970-19  
47-970-20  
47-970-22

### Control panel and ignition device

up to serial no. N124501006



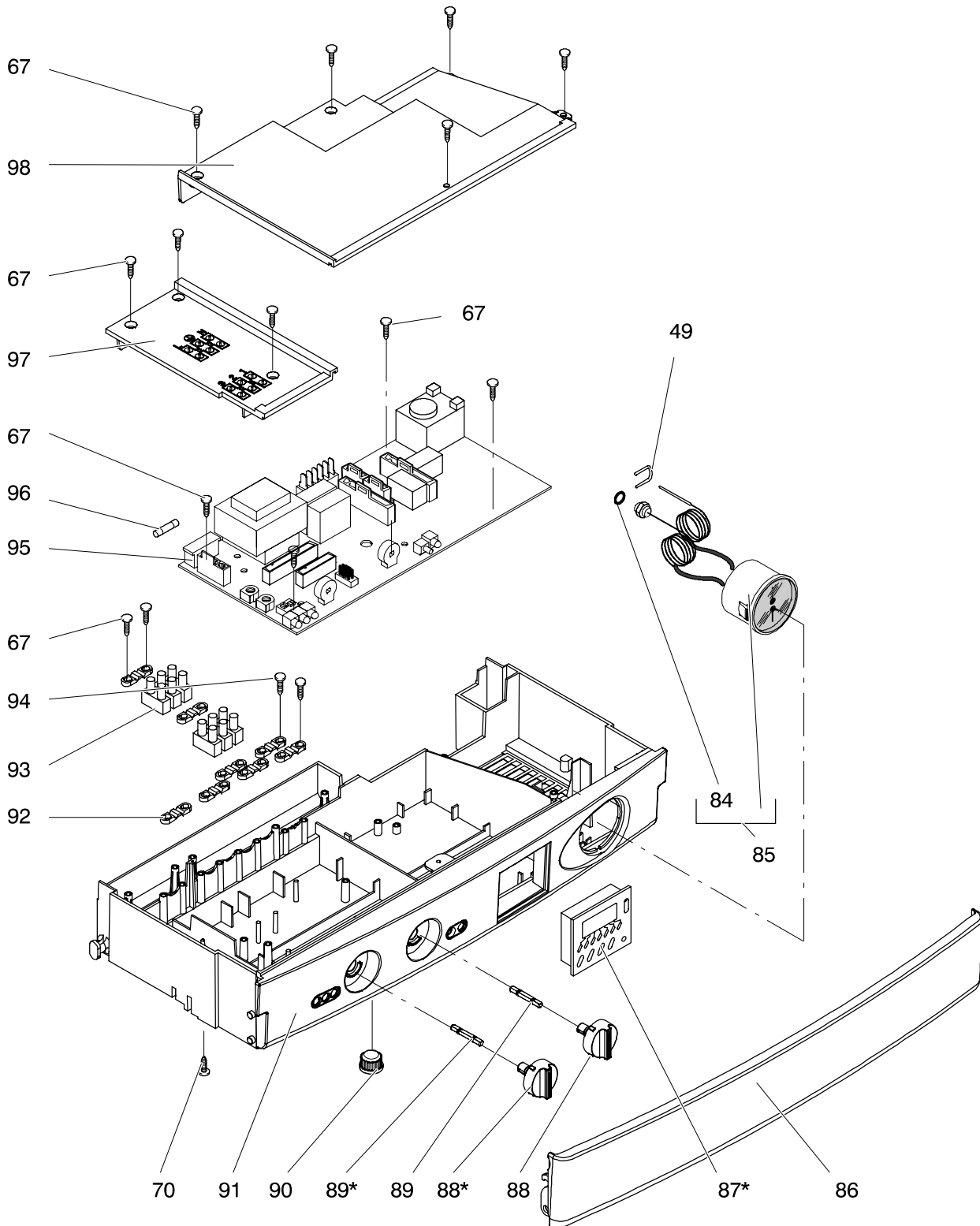
\* Not for models M90F.24SR, M90F.28SR

M90F.24S  
M90F.28S  
M90F.32S

47-970-19  
47-970-20  
47-970-22

Control panel and ignition device

from serial no. N124511006

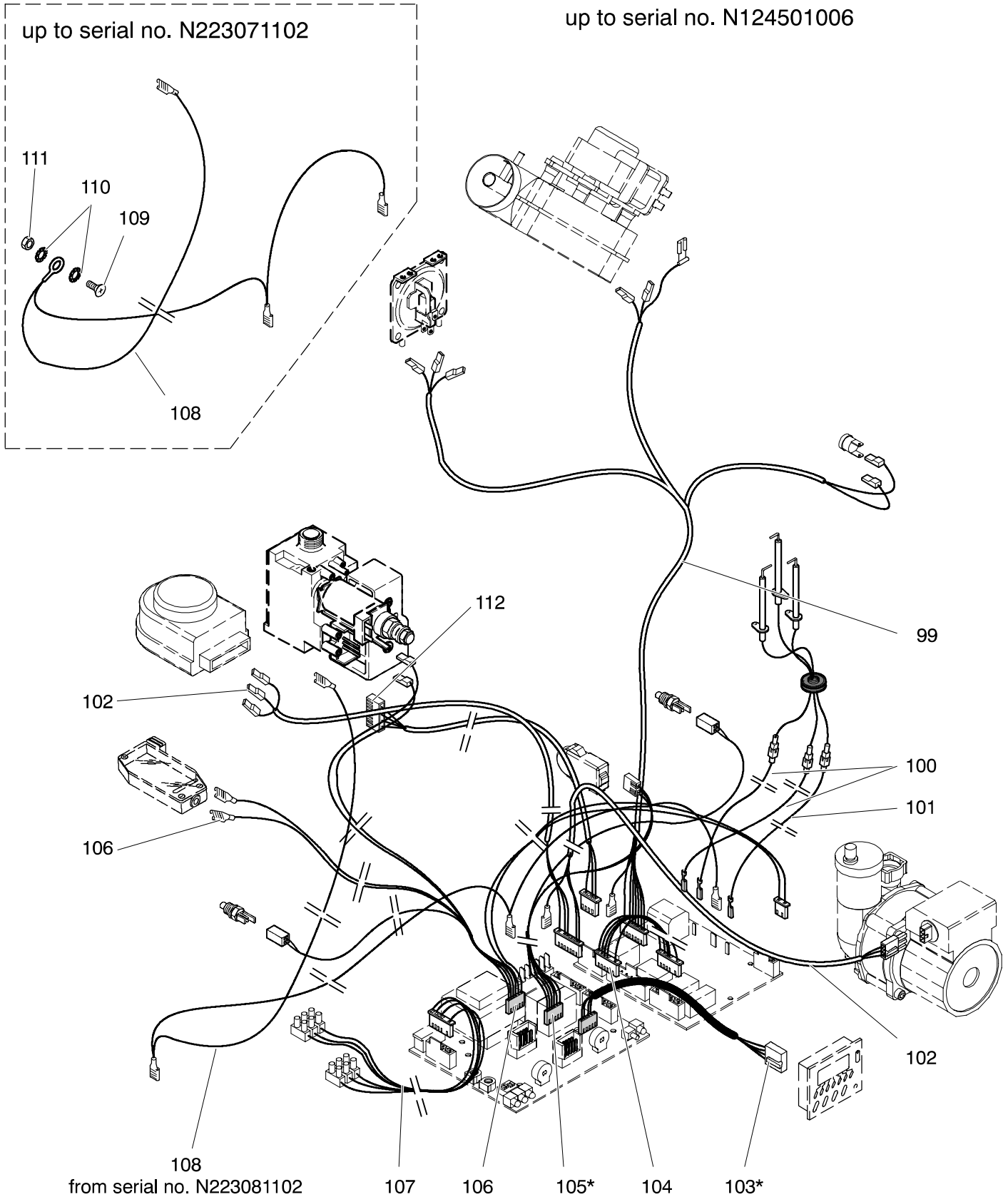


\* Not for models M90F.24SR, M90F.28SR

M90F.24S  
M90F.28S  
M90F.32S

47-970-19  
47-970-20  
47-970-22

Wiring



\* Not for models M90F.24SR, M90F.28SR

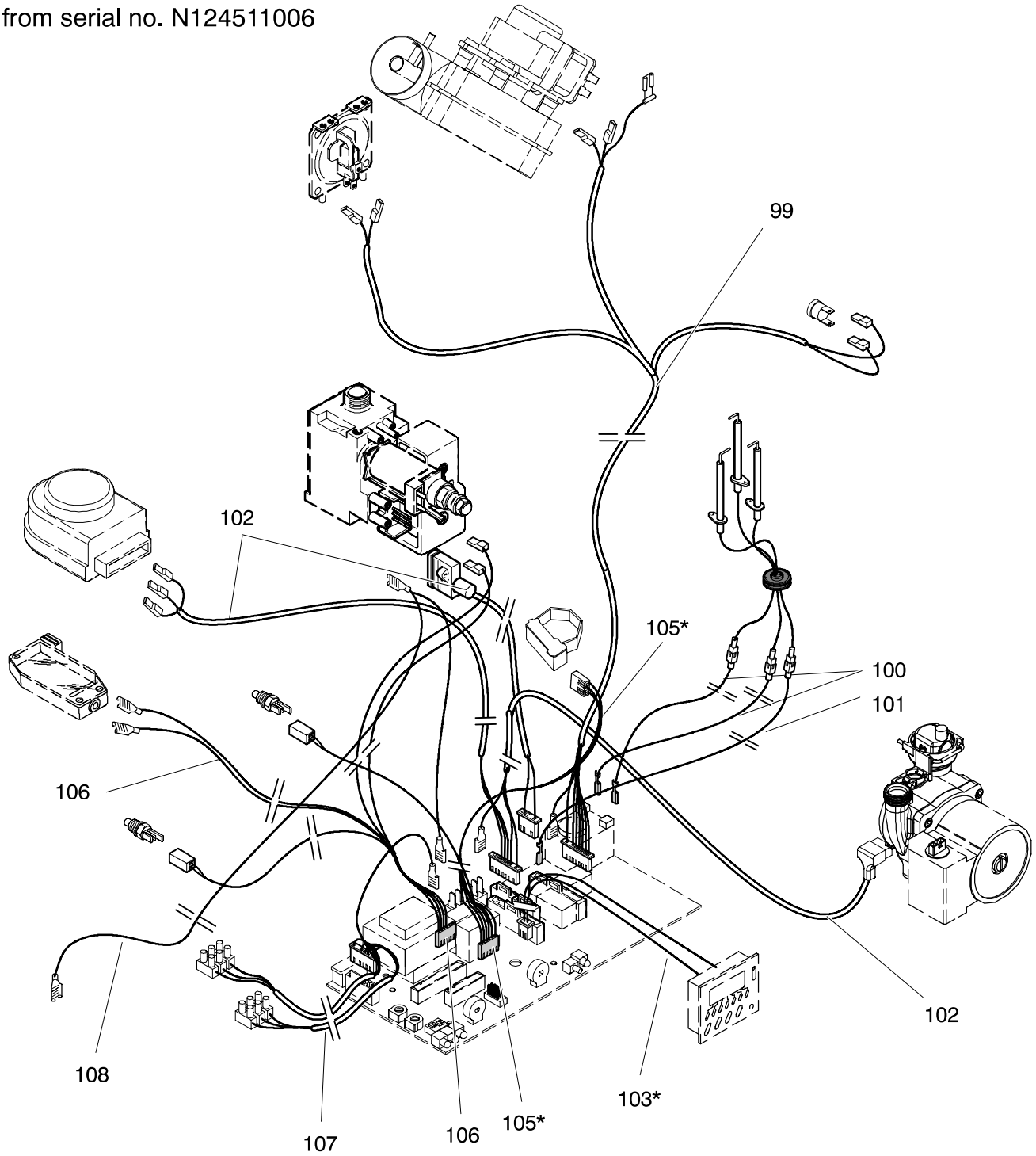


M90F.24S  
M90F.28S  
M90F.32S

47-970-19  
47-970-20  
47-970-22

### Wiring

from serial no. N124511006

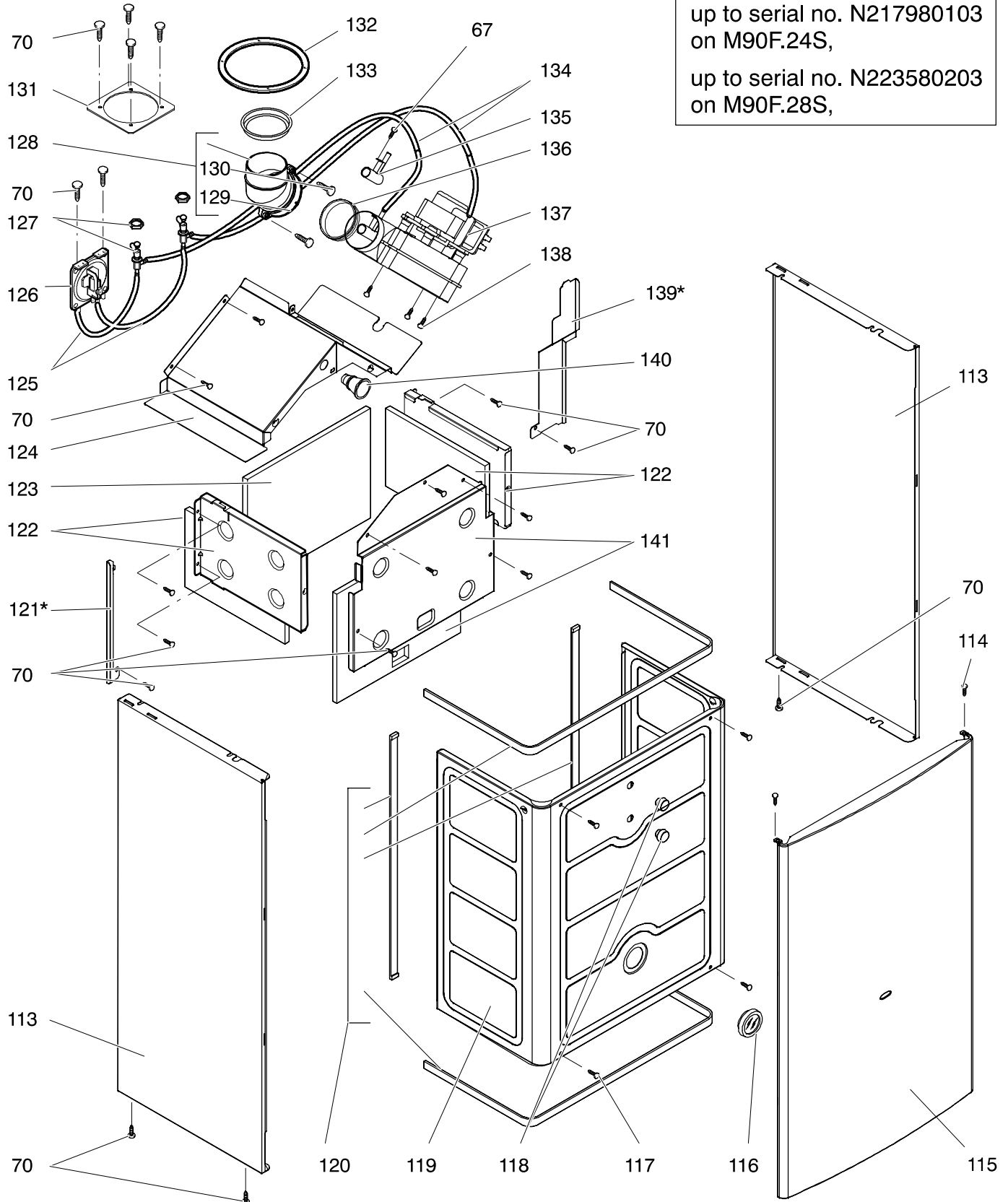


\* Not for models M90F.24SR, M90F.28SR

M90F.24S  
M90F.28S

47-970-19  
47-970-20

Fan, combustion chamber and case panels

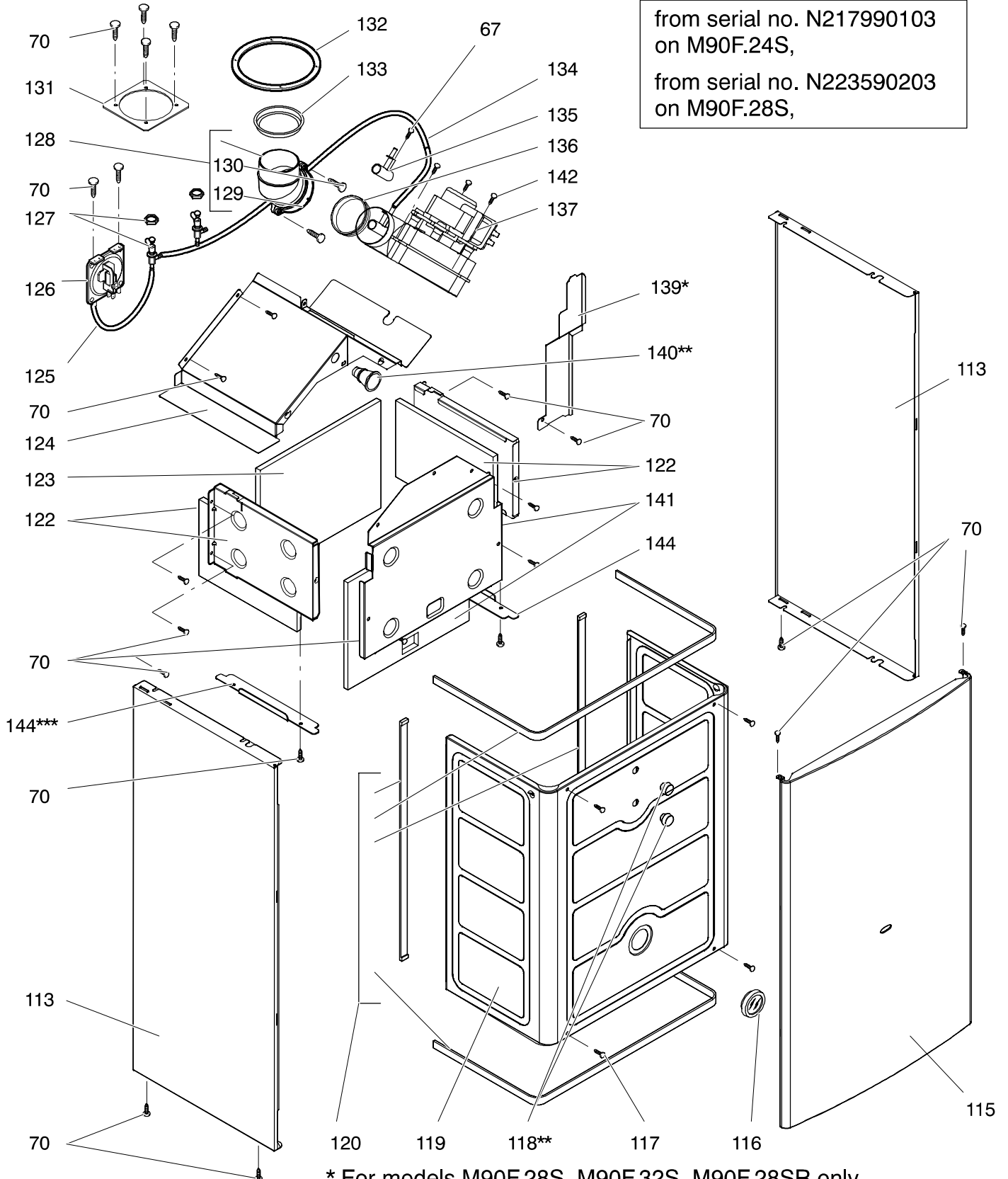


\* For models M90F.28S, M90F.28SR only

M90F.24S  
M90F.28S  
M90F.32S

47-970-19  
47-970-20  
47-970-22

Fan, combustion chamber and case panels



from serial no. N217990103  
on M90F.24S,  
from serial no. N223590203  
on M90F.28S,

\* For models M90F.28S, M90F.32S, M90F.28SR only  
\*\* Not for model M90F.32S  
\*\*\* For model M90F.32S only

Date \_\_\_\_\_

Sheet 1 of 15Manufacturer Biasi SpA – ItalyAppliance(s) M90F.24S M90F.28S M90F.32SGC Appliance Number(s) 47–970–19 47–970–20 47–970–22

Contract Name \_\_\_\_\_

Telephone Number \_\_\_\_\_

(a)	(b)	(c)	(d)	(e)	(f)	(g)	(h)	(i)	(j)	(k)
Key no.	GC Part Number	Description	No. Off	Makers part number which have a CG number	Maker's old part number which have since been changed	Maker's new part number which DO NOT have a GC number	M B F	Original Supplier	Original Supplier part number	Retail price excl. VAT
		Position of data badge: inner side of left case panel								
	E83–012	Instructions booklets set	1	Bl1911 504			M			
		up to serial no. N217980103 on M90F.24S, M90F.24SR								
		up to serial no. N223580203 on M90F.28S, M90F.28SR								
		Instructions booklets set M90F.32S	1			Bl1911 507	M			
		from serial no. N217990103 on M90F.24S, M90F.24SR								
		from serial no. N223590203 on M90F.28S, M90F.28SR								
		up to serial no. N024590604 for all the models								
		Instructions booklets set from serial no. N024600604 for all	1			Bl1911 512	M			
		the models								
1	E83–013	Safety valve 3 bar	1	Bl1131 100			B	Watts Interme – Caldaro Italy	3 bar	
								Orkli (alternative)	3 bar	
2	E23–759	Safety valve connection	1	Bl1001 127			M			
3	E83–015	Safety valve connection pipe	1	Bl1131 102			M			
3 A	H05–158	Safety valve connection pipe	1	Bl1131 106			M			
		(replacement for discontinued Bl1131 102)								
4	164–026	Temperature probe (special)	2	Bl1001 117			M			
5	164–025	Flat gasket 3/8" O.D 15 mm, i.d. 9.7 mm	2	Bl1001 109			M			
6	E00–679	O–ring gasket 1,78x15,6	1	Bl1001 131			M			
7	E00–669	Drainage valve	1	Bl1011 104			B	Watts Interme – Caldaro Italy	RSR8 1/4"	
8	169–025	O–ring gasket 17,04x3,53 up to serial no. N024590604	5	Kl1043 114			M			
8	169–025	O–ring gasket 17,04x3,53 from serial no. N024600604	2	Kl1043 114			M			
9	E00–671	Screw M5x16 – Hexagon socket cap	2	Bl1001 125			F			
11	E83–016	Return group kit up to serial no. N124501006	1	Bl1131 501			M			
		Return group kit from serial no. N124511006	1			Bl1131 501	M			

CONTINUATION SHEETSheet 2 of 15Appliance number(s) 47-970-19 47-970-20 47-970-22

(a)	(b)	(c)	(d)	(e)	(f)	(g)	(h)	(i)	(j)	(k)
Key no.	GC Part Number	Description	No. Off	Makers part number which have a CG number	Maker's old part number which have since been changed	Maker's new part number which DO NOT have a GC number	M B F	Original Supplier	Original Supplier part number	Retail price excl. VAT
12	169-033	Flat gasket 3/4"	9	BI1001 108			M			
13	E23-757	Toothed lock washer external 6,4 mm	2	BI1001 124			F			
14	E00-670	Screw M6x8 - BZP RPH	2	BI1001 123			F			
15	169-141	Gasket 1/2"	3	BI1001 106			M			
16	E83-018	Flow limiter 10 Litres/min	1	BI1091 102			B	Acqua Flow		
16 A	E83-019	Flow limiter 12 Litres/min	1	BI1091 103			B	Acqua Flow		
17	E00-678	O-ring gasket 2,62x20,63	1	BI1001 130			M			
18	E83-081	Magnetic flow switch and filter kit up to serial no. N124501006	1	BI1091 502			M			
	H32-550	Magnetic flow switch and filter kit from serial no. N124511006	1	BI1271 501			M			
19	E83-082	D.h.w. flow switch up to serial no. N124501006	1	BI1091 104			M			
	H32-551	D.h.w. flow switch from serial no. N124511006	1	BI1271 101			M			
20	E01-204	Exchanger DHW - M90F.24S	1	BI1001 101			M			
20 A	E01-205	Exchanger DHW - M90F.28S, M90F.32S	1	BI1001 102			M			
21	E00-668	O-ring gasket 1,78x12,42 by-pass pipe	2	BI1001 115			M			
22	E83-083	By-pass pipe	1	BI1131 101			M			
23	169-060	O-ring gasket 18,64x3,53	4	KI1043 144			M			
24	E00-672	By-pass pipe fixing fork	2	BI1001 111			M			
25	E00-676	O-ring gasket 1,78x14	1	BI1001 129			M			
26	E83-086	Diverter valve actuator	1	BI1101 102			B	Elbi International SpA Collegno italy	1650/6/0	
27	E83-090	Diverter valve actuator fixing spring	1	BI1101 101			M			
28	E83-091	Diverter valve kit	1	BI1141 501			M			
29	E00-680	O-ring gasket 2,62x23,47	3	BI1011 107			M			
30	E83-092	O-ring gasket 2,7x13,6	2	BI1011 117			M			

CONTINUATION SHEETSheet 3 of 15Appliance number(s) 47-970-19 47-970-20 47-970-22

(a)	(b)	(c)	(d)	(e)	(f)	(g)	(h)	(i)	(j)	(k)
Key no.	GC Part Number	Description	No. Off	Makers part number which have a CG number	Maker's old part number which have since been changed	Maker's new part number which DO NOT have a GC number	M B F	Original Supplier	Original Supplier part number	Retail price excl. VAT
31	E83-095	Flow group kit	1	BI1141 500			M			
33	E00-688	Central heating pressure switch membrane	1	BI1011 103			M			
34	E00-687	Central heating pressure switch disk	1	BI1011 111			M			
35	E00-686	Central heating pressure switch spring	1	BI1011 110			M			
36	E00-685	Screw M4x12 mm Stainless steel SCH	4	BI1011 109			F			
37	E00-681	Microswitch guide bush	1	BI1011 502			M			
38	E00-684	Microswitch kit	1	BI1011 505			M			
39	E00-683	Microswitch box fixing clip	1	BI1011 105			M			
40	E00-682	Screw 2,9x13 mm AB self tapping BZP - RCH	3	BI1011 108			F			
41	E00-689	By-pass kit	1	BI1011 501			M			
42	E94-723	Overheat thermostat fixing clip	1	BI1182 100			M			
43	E83-101	Overheat thermostat	1	BI1172 105			B	Elth	261 105□□	
								Texas Instruments (Klixon) alternative	1NT	
44	E94-579	Main exchanger M90F.24S, M90F.24SR up to serial no. N264200203	1	BI1182 101			M			
	H03-714	Main exchanger M90F.24S, M90F.24SR from serial no. N264210203	1	BI1202 101			M			
44 A	E94-580	Main exchanger M90F.28S, M90F.28SR up to serial no. N257080203	1	BI1182 102			M			
	H03-716	Main exchanger M90F.32S from serial no. N257090203 on M90F.28S, M90F.28SR	1	BI1202 102			M			
44 B	H05-714	Main exchanger M90F.32S Part withdrawn November 2003, see BI1202 102	1	BI1222 100			m			
45	E94-737	Main exchanger connection clip	2	BI1182 106			M			
46	169-104	Grommet	3	BI1002 113			M			

CONTINUATION SHEETSheet 4 of 15Appliance number(s) 47-970-19 47-970-20 47-970-22

(a)	(b)	(c)	(d)	(e)	(f)	(g)	(h)	(i)	(j)	(k)
Key no.	GC Part Number	Description	No. Off	Makers part number which have a CG number	Maker's old part number which have since been changed	Maker's new part number which DO NOT have a GC number	M B F	Original Supplier	Original Supplier part number	Retail price excl. VAT
47	169-045	Probe holder	1	Bl1105 108			M			
48	E94-725	Main exchanger inlet pipe	1	Bl1182 103			M			
		up to serial no. N264200203 on M90F.24S M90F.24SR								
		up to serial no. N257080203 on M90F.28S M90F.28SR								
	H03-718	Main exchanger inlet pipe	1	Bl1202 103			M			
		from serial no. N264210203 up to serial no. N024590604								
		on M90F.24S M90F.24SR								
		from serial no. N257090203 up to serial no. N024590604								
		on M90F.28S M90F.28SR								
	H23-005	Main exchanger inlet pipe	1	Bl1272 102			M			
		from serial no. N024600604 on M90F.24S								
		up to serial no. N223980105 on M90F.24S								
		Main exchanger inlet pipe	1			Bl1212 101	M			
		from serial no. N223990105 on M90F.24S								
		up to serial no. N004070205 on M90F.24S								
	H23-005	Main exchanger inlet pipe	1	Bl1272 102			M			
		from serial no. N004080205 on M90F.24S								
49	169-040	Fork	1	Kl1042 115			M			
50	169-039	Fork	1	Kl1042 120			M			
51	402-325	Screw M6x10 - BZP RPH	2	Bl1172 115			F			
52	E83-111	Pump (complete)	1	Bl1172 104			M			
52 A	H04-218	Pump (complete) up to serial no. N024590604	1	Bl1222101			M			
		(replacement for discontinued Bl1172 104)								
	H23-009	Pump (complete) from serial no. N024600604	1	Bl1272 100			M			
		up to serial no. N223980105 on M90F.24S								

CONTINUATION SHEETSheet 5 of 15Appliance number(s) 47-970-19 47-970-20 47-970-22

(a)	(b)	(c)	(d)	(e)	(f)	(g)	(h)	(i)	(j)	(k)
Key no.	GC Part Number	Description	No. Off	Makers part number which have a CG number	Maker's old part number which have since been changed	Maker's new part number which DO NOT have a GC number	M B F	Original Supplier	Original Supplier part number	Retail price excl. VAT
		Pump (complete) from serial no. N223990105 on	1			BI1212 102	M			
		M90F,24S								
		up to serial no. N004070205 on M90F,24S								
	H23-009	Pump (complete) from serial no. N004080205 on	1	BI1272 100			M			
		M90F,24S								
53	E83-113	Pump (motor)	1	BI1172 114			B	Wilo	NFHUL 15/5	
53	A H04-220	Pump (motor) up to serial no. N024590604	1	BI1222 102			B	Wilo	NFHUL 15/5	
		(replacement for discontinued BI1172 114)								
	H23-012	Pump (motor) from serial no. N024600604	1	BI1272 101			B	Wilo	NFSL 12/5	
		up to serial no. N223980105 on M90F,24S							NFSL 12/Premium (alternative)	
		Pump (motor) from serial no. N223990105 on M90F,24S	1			BI1212 113	B	Askoll		
		up to serial no. N004070205 on M90F,24S								
	H23-012	Pump (motor) from serial no. N004080205 on M90F,24S	1	BI1272 101			B	Wilo	NFSL 12/5	
									NFSL 12/Premium (alternative)	
54	E83-114	Pump gasket (front) up to serial no. N223980105 on	1	BI1172 113			M			
		M90F,24S								
		Pump gasket (front) from serial no. N223990105 on	1			BI1212 108	M			
		M90F,24S								
		up to serial no. N004070205 on M90F,24S								
	E83-114	Pump gasket from serial no. N004080205 on M90F,24S	1	BI1172 113			M			
55	E83-116	Pump gasket (rear) up to serial no. N024590604	1	BI1172 112			M			
56	E83-117	Automatic air purger valve up to serial no. N024590604	1	BI1172 111			M			
	H20-896	Automatic air purger valve from serial no. N024600604	1	BI1212 107			M			
57	E83-118	Pump connection fork up to serial no. N024590604	1	BI1172 110			M			



CONTINUATION SHEETSheet 6 of 15Appliance number(s) 47-970-19 47-970-20 47-970-22

(a)	(b)	(c)	(d)	(e)	(f)	(g)	(h)	(i)	(j)	(k)
Key no.	GC Part Number	Description	No. Off	Makers part number which have a CG number	Maker's old part number which have since been changed	Maker's new part number which DO NOT have a GC number	M B F	Original Supplier	Original Supplier part number	Retail price excl. VAT
	H20-987	Pump connection fork from serial no. N024600604	1	Bl1262 116			M			
		up to serial no. N223980105 on M90F.24S								
	E83-118	Pump connection fork from serial no. N223990105 on	1	Bl1172 110			M			
		M90F.24S								
		up to serial no. N004070205 on M90F.24S								
	H20-987	Pump connection fork from serial no. N004080205 on	1	Bl1262 116			M			
		M90F.24S								
58	E83-119	Expansion vessel connection pipe up to serial no.	1	Bl1172 109			M			
		N024590604								
	H23-014	Expansion vessel connection pipe	1	Bl1272 103			M			
		from serial no. N024600604								
		up to serial no. N223980105 on M90F.24S								
	E83-119	Expansion vessel connection pipe	1	Bl1172 109			M			
		from serial no. N223990105 on M90F.24S								
		up to serial no. N004070205 on M90F.24S								
	H23-014	Expansion vessel connection pipe	1	Bl1272 103			M			
		from serial no. N004080205 on M90F.24S								
59	E94-726	Main exchanger outlet pipe	1	Bl1182 104			M			
		up to serial no. N264200203 on M90F.24S M90F.24SR								
		up to serial no. N257080203 on M90F.28S M90F.28SR								
	H03-720	Main exchanger outlet pipe M90F.32S	1	Bl1202 104			M			
		from serial no. N264210203 on M90F.24S M90F.24SR								
		from serial no. N257090203 on M90F.28S M90F.28SR								
		up to serial no. N024590604 for all the models								

## CONTINUATION SHEET

Sheet 7 of 15

Appliance number(s) 47-970-19 47-970-20 47-970-22

(a)	(b)	(c)	(d)	(e)	(f)	(g)	(h)	(i)	(j)	(k)
Key no.	GC Part Number	Description	No. Off	Makers part number which have a CG number	Maker's old part number which have since been changed	Maker's new part number which DO NOT have a GC number	M B F	Original Supplier	Original Supplier part number	Retail price excl. VAT
	H23-015	Main exchanger outlet pipe	1	Bl1212 110			M			
		from serial no. N024600604 for all the models								
		up to serial no. N223980105 on M90F.24S								
	H03-720	Main exchanger outlet pipe	1	Bl1202 104						
		from serial no. N223990105 on M90F.24S								
		up to serial no. N004070205 on M90F.24S								
	H23-015	Main exchanger outlet pipe	1	Bl1212 110			M			
		from serial no. N004080205on M90F.24S								
60	E83-121	Expansion vessel	1	Bl1172 103			B	CIMM Srl – Castello di Godego Italy	CP387 6L	
								Zilmet – Italy (alternative)	13C0000600	
61	169-069	Injectors with gaskets 130 – NG M90F.24S, M90F.24SR, M90F.28S, M90F.28SR	14	Kl1064 505			B	Polidoro		
61 A	169-070	Injectors with gaskets 77 – LPG M90F.24S, M90F.24SR, M90F.28S, M90F.28SR	14	Kl1064 506			B	Polidoro		
61 B	H05-180	Injectors with gaskets 130 – NG M90F.32S	16	Bl1193 500			B	Polidoro		
61 C	H08-596	Injectors with gaskets 77 – LPG M90F.32S	16	Bl1193 501			B	Polidoro		
62	173-148	Burner M90F.24S , M90F.24SR	1	Kl1004 102			B	Polidoro		
62 A	173-149	Burner M90F.28S, M90F.28SR	1	Kl1004 147			B	Polidoro		
62 B	H05-182	Burner M90F.32S	1	Bl1193 100			B	Polidoro		
63	E83-122	Detection electrode	1	Bl1123 102			M			
		M90F.24S, M90F.24SR, M90F.28S, M90F.28SR								
63 A	H05-183	Detection electrode M90F.32S	1	Bl1193 104			M			
64	E83-126	Ignition electrode – right	1	Bl1123 103			M			
		M90F.24S, M90F.24SR, M90F.28S, M90F.28SR								
64 A	H05-185	Ignition electrode – right M90F.32S	1	Bl1193 103			M			

CONTINUATION SHEETSheet 8 of 15Appliance number(s) 47-970-19 47-970-20 47-970-22

(a)	(b)	(c)	(d)	(e)	(f)	(g)	(h)	(i)	(j)	(k)
Key no.	GC Part Number	Description	No. Off	Makers part number which have a CG number	Maker's old part number which have since been changed	Maker's new part number which DO NOT have a GC number	M B F	Original Supplier	Original Supplier part number	Retail price excl. VAT
65	E83-127	Ignition electrode – left	1	Bl1123 101			M			
		M90F.24S, M90F.24SR, M90F.28S, M90F.28SR								
65 A	H05-186	Ignition electrode – left M90F.32S	1	Bl1193 102			M			
66	169-125	Grommet	1	Bl1002 115			M			
67	409-736	Tapping screw 3,5x9,5 recessed pan head	24	Bl1013 115			F			
68	E83-128	Air deflector M90F.24S, M90F.24SR	1	Bl1183 102			M			
		up to serial no. N223580203 on M90F.28S, M90F.28SR								
	H03-681	Air deflector	1	Bl1183 109			M			
		from serial no. N223590203 on M90F.28S, M90F.28SR								
68 A	H05-196	Air deflector on M90F.32S	1	Bl1193 106			M			
69	409-531	Taptite screw M4x8 Recessed pan head Hardened steel	4	Bl1013 111			F			
		Bright Zinc Plated BS3382 Clear passivated and lanolin								
		Dipped								
70	409-722	Tapping Screw ISO No8 B 4,2x9,5 Recessed Pan Head	34	Bl1013 110			F			
		Hardened Steel BS4174 Bright Zinc plate BS1706 Clear								
		Passivated								
71	402-124	Machine Screw M4x8 mm Recessed pan head Mild steel	2	Bl1013 114			F			
		BS4183 Bright zinc plate BS3382 Clear passiv.								
72	E83-129	Gas valve	1	Bl1093 104			B	Sit	845 Sigma	
72 A	H03-746	Gas valve	1	Bl1193 105			B	Sit	845 Sigma	
		(replacement for discontinued Bl1093104)								
72 B	H08-602	Gas valve on-off operator coils		Bl1093 107			B	Sit	0.967.158	
73	E83-130	Gas pipe to the manifold	1	Bl1183 101			M			
74	E83-131	Gas manifold with injectors NG M90F.24S, M90F.24SR	1	Bl1183 103			B	Polidoro		
74 A	E83-132	Gas manifold with injectors LPG M90F.24S, M90F.24SR	1	Bl1183 104			B	Polidoro		

CONTINUATION SHEETSheet 9 of 15Appliance number(s) 47-970-19 47-970-20 47-970-22

(a)	(b)	(c)	(d)	(e)	(f)	(g)	(h)	(i)	(j)	(k)
Key no.	GC Part Number	Description	No. Off	Makers part number which have a CG number	Maker's old part number which have since been changed	Maker's new part number which DO NOT have a GC number	M B F	Original Supplier	Original Supplier part number	Retail price excl. VAT
74	B E83-133	Gas manifold with injectors NG M90F.28S, M90F.28SR	1	Bl1183 105			B	Polidoro		
74	C E83-134	Gas manifold with injectors LPG M90F.28S, M90F.28SR	1	Bl1183 106			B	Polidoro		
74	D H05-200	Gas manifold with injectors NG M90F.32S	1	Bl1193 107			B	Polidoro		
74	E H08-604	Gas manifold with injectors LPG M90F.32S	1	Bl1193 108			B	Polidoro		
75	E83-135	C.h. connection pipe	2	Bl1084 110			M			
76	E83-136	Tap 3/4" - c.h.	2	Bl1084 105			B			
77	E83-137	Tap 1/2" - d.h.w.	1	Bl1084 101			B			
78	E83-138	Tap 3/4" - gas	1	Bl1084 100			B			
79	E01-226	Nut 1/2"	2	Bl1004 101			M			
80	E83-139	Pipe 15 mm dia (bent) d.h.w.	1	Bl1084 109			M			
81	E83-140	Pipe 22 mm dia gas	1	Bl1084 111			M			
82	E83-141	Pipe 15 mm dia (straight) d.h.w.	1	Bl1084 107			M			
83	E83-142	Full sequence control device	1	Bl1305 101			B	Bertelli & Partners	FM30	
84	E83-144	O-ring gasket 1,78 x 6,75	1	Bl1475 119			M			
85	E83-145	Temperature-pressure gauge	1	Bl1475 108			M			
86	E94-886	Cover panel	1	Bl1535 100			M			
87	E94-738	Time switch	1	Bl1525 101			B	Flash	Monotron 200 23011	
88	E94-887	Knob	2	Bl1535 101			M			
89	E83-149	Shaft	2	Bl1475 105			M			
90	E83-150	Control panel plug	1	Bl1475 110			M			
91		Control panel box up to serial no. N124501006	1			Bl1535 102	M			
		Control panel box from serial no. N124511006	1			Bl1885 122	M			
92	E83-152	Cable holder	8	Kl1066 208			B	Fastpoint S.r.l.	1207.BB01 XS	
		(replacement for discontinued Kl1066 102)								

CONTINUATION SHEETSheet 10 of 15Appliance number(s) 47-970-19 47-970-20 47-970-22

(a)	(b)	(c)	(d)	(e)	(f)	(g)	(h)	(i)	(j)	(k)
Key no.	GC Part Number	Description	No. Off	Makers part number which have a CG number	Maker's old part number which have since been changed	Maker's new part number which DO NOT have a GC number	M B F	Original Supplier	Original Supplier part number	Retail price excl. VAT
93	E83-153	Terminal block	2	BI1475 109			B	Elettrogibi	PA27	
								Odoardo Korner (alternative)	OK-433-FV	
94	409-727	Screw 3,5x16 mm self tap RPH	4	BI1165 101			F			
95	E94-730	Electronic control p.c.b.	1	BI1475 114			M			
95 A	H05-201	Electronic control p.c.b.	1	BI1515 107			M			
		(replacement for discontinued BI1475114)								
95 B		Electronic control p.c.b.	1			BI1605 112	M			
		(replacement for discontinued BI1515 107) up to serial no.								
		N124501006								
95		Electronic control p.c.b. from serial no. N124511006	1			BI1885 101	M			
96	169-083	Fuse 1.6A	1	BI1005 105			B			
97	E83-155	Service panel cover	1	BI1475 111			M			
98	E83-156	Control panel cover	1	BI1475 112			M			
99	E83-159	Fan cable up to serial no. N124501006	1	BI1485 112			M			
		Fan cable from serial no. N124511006	1			BI1895 100	M			
100	E83-160	Ignition electrode cable	2	BI1485 101			M			
101	E83-161	Flame detection electrode cable	1	BI1485 102			M			
102	E83-162	Pump-diverter valve cable up to serial no. N124501006	1	BI1485 103			M			
		Pump-diverter valve cable from serial no. N124511006	1			BI1905 101	M			
103	E83-163	Time switch cable	1	BI1485 111			M			
104	E83-164	Electronic control p.c.b.-ignition device connection cable	1	BI1485 104			M			
105	E83-165	D.h.w. flow switch and temp. probe cable up to serial no.	1	BI1485 105			M			
		N124501006								
		D.h.w. flow switch and temp. probe cable from serial no.	1			BI1905 100	M			
		N124511006								

CONTINUATION SHEET

Sheet 11 of 15

Appliance number(s) 47-970-19 47-970-20 47-970-22

(a)	(b)	(c)	(d)	(e)	(f)	(g)	(h)	(i)	(j)	(k)
Key no.	GC Part Number	Description	No. Off	Makers part number which have a CG number	Maker's old part number which have since been changed	Maker's new part number which DO NOT have a GC number	M B F	Original Supplier	Original Supplier part number	Retail price excl. VAT
106	E83-166	C.h. flow switch, temp. probe cable and modulator cable up to serial no. N124501006	1	BI1485 106			M			
		C.h. flow switch, temp. probe cable and modulator cable from serial no. N124511006	1			BI1915 100	M			
107	E83-168	Power supply and external control cable up to serial no. N124501006	1	BI1485 107			M			
		Power supply and external control cable from serial no. N124511006	1			BI1895 105	M			
108	E83-169	Earth wiring (up to serial no. N223071102)	1	BI1485 108			M			
	H03-683	Earth wiring (from serial no. N223081102) up to serial no. N124501006	1	BI1485 116			M			
		Earth wiring (from serial no. N223081102) from serial no. N124511006	1			BI1895 107	M			
109	402-225	Machine Screw M5x10 Recessed Pan Head Mild steel BS4183 Bright zinc plate BS3382 Clear Passivated	1	BI1035 109			F			
110	164-133	Toothed lock washer external 5,3x10 mm stainless	2	BI1035 110			F			
111	404-609	Full nut M5 Hexagon Steel grade 8 BS3692 Bright zinc plate BS3382 clear passivated	1	BI1035 111			F			
112	E83-170	Gas valve cable	1	BI1485 109			M			
113	E94-731	Side case panel	2	BI1346 500			M			
114	409-702	Screw 4,2x13 mm AB self tapping RPH BZP	2	BI1336 115			F			
115		Front case panel	1			BI1356 100	M			
116	E69-243	Window (glass + rubber frame)	1	BI1206 118			M			
117	409-747	Screw 4,8x13 mm AB self tapping RPH BZP	4	BI1336 114			F			
118	E83-174	Sampling point plug	2	BI1336 110			M			

CONTINUATION SHEET

Sheet 12 of 15

Appliance number(s) 47-970-19 47-970-20 47-970-22

(a)	(b)	(c)	(d)	(e)	(f)	(g)	(h)	(i)	(j)	(k)
Key no.	GC Part Number	Description	No. Off	Makers part number which have a CG number	Maker's old part number which have since been changed	Maker's new part number which DO NOT have a GC number	M B F	Original Supplier	Original Supplier part number	Retail price excl. VAT
119	E83-175	Sealed chamber lid	1	Bl1336 100			M			
120	E83-176	Sealed chamber gaskets kit	1	Bl1336 500			M			
121	E83-177	Air deflector left M90F.28S, M90F.28SR	1	Bl1336 112			M			
122	E83-178	Combustion chamber side panel	2	Bl1326 100			M			
123	E83-180	Combustion chamber rear panel M90F.24S, M90F.24SR	1	Bl1326 107			M			
123 A	E83-181	Combustion chamber rear panel M90F.28S, M90F.28SR	1	Bl1326 108			M			
124	E83-182	Flue hoodup to serial no. N217980103 on M90F.24S, M90F.24SR	1	Bl1336 101			M			
	H03-687	Flue hood from serial no. N217990103 on M90F.24S, M90F.24SR	1	Bl1366 104			M			
124 A	E83-183	Flue hood up to serial no. N223580203 on M90F.28S, M90F.28SR	1	Bl1336 102			M			
	H03-688	Flue hood M90F.32S from serial no. N223590203 on M90F.28S, M90F.28SR	1	Bl1366 105			M			
125	E01-187	Flue pressure switch tube	2	Bl1016 107			M			
126	E05-422	Air pressure switch up to serial no. N217980103 on M90F.24S, M90F.24SR	1	Bl1036 102			B	Yamatake-Honeywell	C6065 1,4 mbar	
	169-127	Air pressure switch from serial no. N217990103 on M90F.24S, M90F.24SR	1	Kl1267 103			B	Yamatake-Honeywell SIT (alternative)	C6065 0,88 mbar 380 0,88 mbar	
126 A	E83-184	Air pressure switch up to serial no. N223580203 on M90F.28S, M90F.28SR	1	Bl1256 114			B	Yamatake-Honeywell	C6065 1,6 mbar	
	H03-691	Air pressure switch from serial no. N223590203 on M90F.28S, M90F.28SR	1	Bl1366 107			B	Yamatake-Honeywell SIT (alternative)	C6065 1,04 mbar 380 1,04 mbar	
126 B	H05-207	Air pressure switch M90F.32S up to serial no. N027571003	1	Bl1376 102			B	Yamatake-Honeywell SIT (alternative)	C6065 1,83 mbar	

Sheet 13 of 15

Appliance number(s) 47-970-19 47-970-20 47-970-22

(a)	(b)	(c)	(d)	(e)	(f)	(g)	(h)	(i)	(j)	(k)
Key no.	GC Part Number	Description	No. Off	Makers part number which have a CG number	Maker's old part number which have since been changed	Maker's new part number which DO NOT have a GC number	M B F	Original Supplier	Original Supplier part number	Retail price excl. VAT
	H08-605	Air pressure switch M90F.32S	1	Bl1376 104			B	Yamatake-Honeywell	C6065 1,38 mbar	
		from serial no. N027581003						SIT (alternative)		
127	E05-424	Air switch pressure test point	2	Bl1036 101			M			
128	E83-185	Flue elbow (complete)	1	Bl1336 108			M			
129	E83-186	Flue elbow clamp	1	Bl1336 113			M			
130	402-127	Screw M4x16 mm BZP - RPH	2	Bl1015 115			M			
131	E01-184	Gasket - Air intake twin kit	1	Bl1016 101			M			
132	169-110	Flue pipe gasket	1	Bl1016 104			M			
133	E83-187	Flue restrictor Ø 47	1	Bl1336 106			M			
		M90F.24S, M90F.24SR, M90F.28S, M90F.28SR								
133 A	H03-692	Flue restrictor Ø 44	1	Bl1366 108			M			
		from serial no. N217990103 on M90F.24S, M90F.24SR								
		from serial no. N223590203 on M90F.28S, M90F.28SR								
133 B	H05-210	Flue restrictor Ø 50 M90F.32S	1	Bl1376 103			M			
134	E83-188	Venturi device tube	2	Bl1256 101			M			
		up to serial no. N217980103 on M90F.24S, M90F.24SR								
		up to serial no. N223580203 on M90F.28S, M90F.28SR								
	E83-188	Venturi device tube	1	Bl1256 101			M			
		from serial no. N217990103 on M90F.24S, M90F.24SR								
		from serial no. N223590203 on M90F.28S, M90F.28SR								
135	E83-189	Venturi	1	Bl1036 108			M			
		up to serial no. N217980103 on M90F.24S, M90F.24SR								
		up to serial no. N223580203 on M90F.28S, M90F.28SR								



CONTINUATION SHEET

Sheet 14 of 15

Appliance number(s) 47-970-19 47-970-20 47-970-22

(a)	(b)	(c)	(d)	(e)	(f)	(g)	(h)	(i)	(j)	(k)
Key no.	GC Part Number	Description	No. Off	Makers part number which have a CG number	Maker's old part number which have since been changed	Maker's new part number which DO NOT have a GC number	M B F	Original Supplier	Original Supplier part number	Retail price excl. VAT
	H03-695	Venturi	1	BI1366 100			M			
		from serial no. N217990103 on M90F.24S, M90F.24SR								
		from serial no. N223590203 on M90F.28S, M90F.28SR								
136	E83-190	Flue elbow gasket	1	BI1336 103			M			
		up to serial no. N217980103 on M90F.24S, M90F.24SR								
		up to serial no. N223580203 on M90F.28S, M90F.28SR								
	H03-697	Flue elbow gasket	1	BI1366 101			M			
		from serial no. N217990103 on M90F.24S, M90F.24SR								
		from serial no. N223590203 on M90F.28S, M90F.28SR								
137	E83-191	Fan, up to serial no. N217980103 on M90F.24S,	1	BI1336 104			B	LN di Natalini - Montecassiano Italy		
		M90F.24SR								
	H03-699	Fan, from serial no. N217990103 on M90F.24S, M90F.24SR	1	BI1366 102			B	FIME	GR02040 39W	
137 A	E83-193	Fan, up to serial no. N223580203 on M90F.28S,	1	BI1336 116			B	LN di Natalini - Montecassiano Italy		
		M90F.28SR								
	H03-700	Fan, from serial no. N223590203 on M90F.28S, M90F.28SR	1	BI1366 103			B	FIME	GR02045 47W	
137 B	H05-215	Fan M90F.32S up to serial no. N027571003	1	BI1376 100			B	FIME	GR1740 55W	
	H08-608	Fan M90F.32S from serial no. N027581003	1	BI1376 105			B	FIME	GR02050 60W	
138	409-720	Screw 3,5x6,5 mm AB self tapping BZP - RPH	3	KI1267 104			F			
139	E83-194	Air deflector right M90F.28S, M90F.32S, M90F.28SR	1	BI1336 111			M			
140	E83-195	Flue sampling point connection	1	BI1336 109			M			
141	E83-196	Combustion chamber front panel M90F.24S, M90F.24SR	1	BI1326 101			M			
141 A	E83-197	Combustion chamber front panel	1	BI1326 102			M			
		up to serial no. N223580203 on M90F.28S, M90F.28SR								
	H03-701	Combustion chamber front panel M90F.32S	1	BI1366 109			M			
		from serial no. N223590203 on M90F.28S, M90F.28SR								

CONTINUATION SHEET

Sheet 15 of 15

Appliance number(s) 47-970-19 47-970-20 47-970-22

(a)	(b)	(c)	(d)	(e)	(f)	(g)	(h)	(i)	(j)	(k)
Key no.	GC Part Number	Description	No. Off	Makers part number which have a CG number	Maker's old part number which have since been changed	Maker's new part number which DO NOT have a GC number	M B F	Original Supplier	Original Supplier part number	Retail price excl. VAT
142	409-721	Screw 4,2x13 mm B self tapping RPH BZP	3	Bl1366 110			F			
143	H03-727	Flat gasket 3/8" O.D 15 mm, i.d. 8.5 mm	2	Bl1202 105			M			
144	H05-220	Air deflector M90F.32S	2	Bl1376 101			M			
150	H20-990	Fork	1	Bl1262 120			M			
151	169-015	Fork	1	Kl1042 101			M			
152	H20-992	Screw 5X16	2	Bl1262 115			F			
153	H20-981	O-ring gasket 1,9X16	1	Bl1262 114			M			
154	H20-945	O-ring gasket 17,04x4,00	1	Bl1212 112			M			
155	H20-996	O-ring gasket 2,62X9,92	1	Bl1262 113			M			
156	H23-733	O-ring gasket 9,25x1,78 (NTC)	2	Kl1001 128			M			