

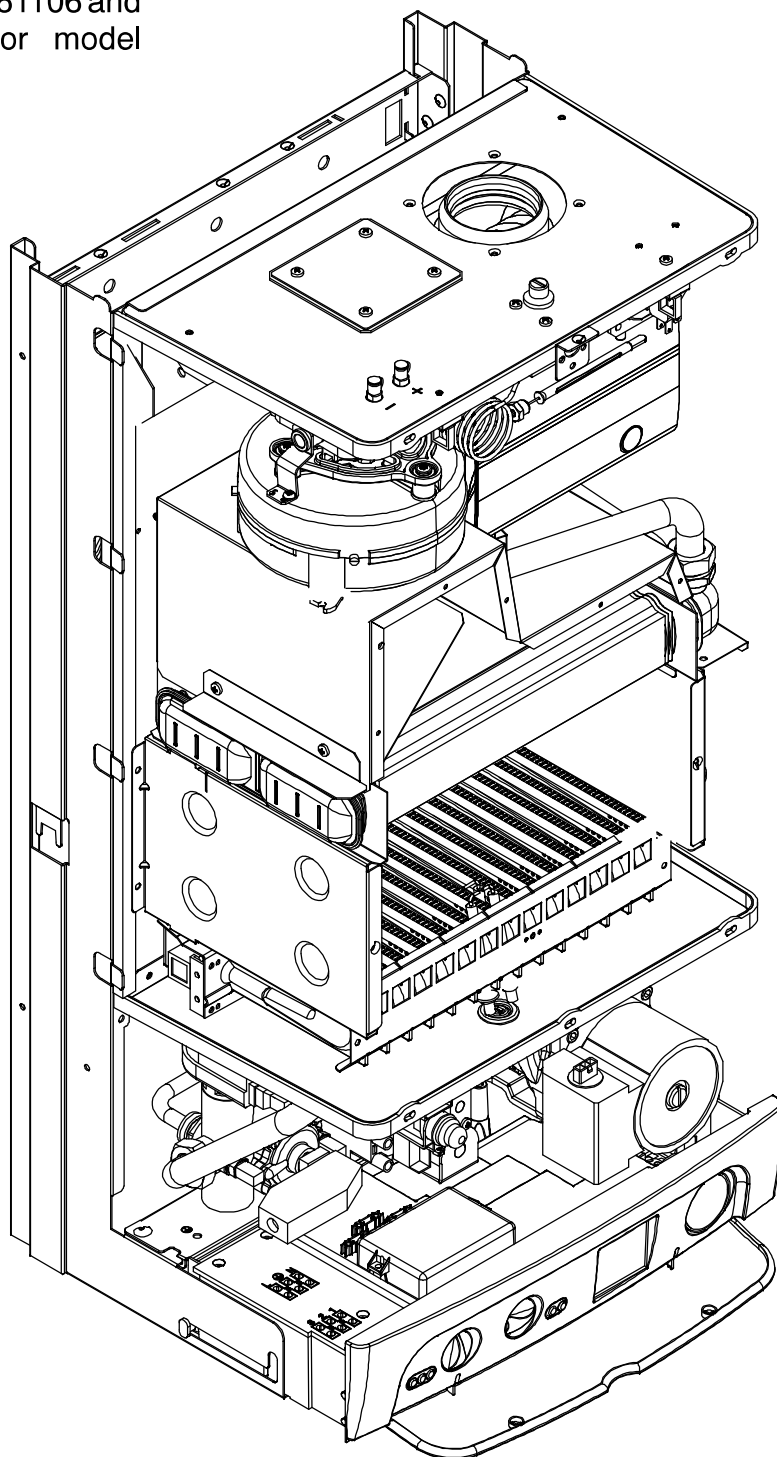
M96.28SR/C2
M96.24SR/C2

41-583-02
41-583-08

Overall view

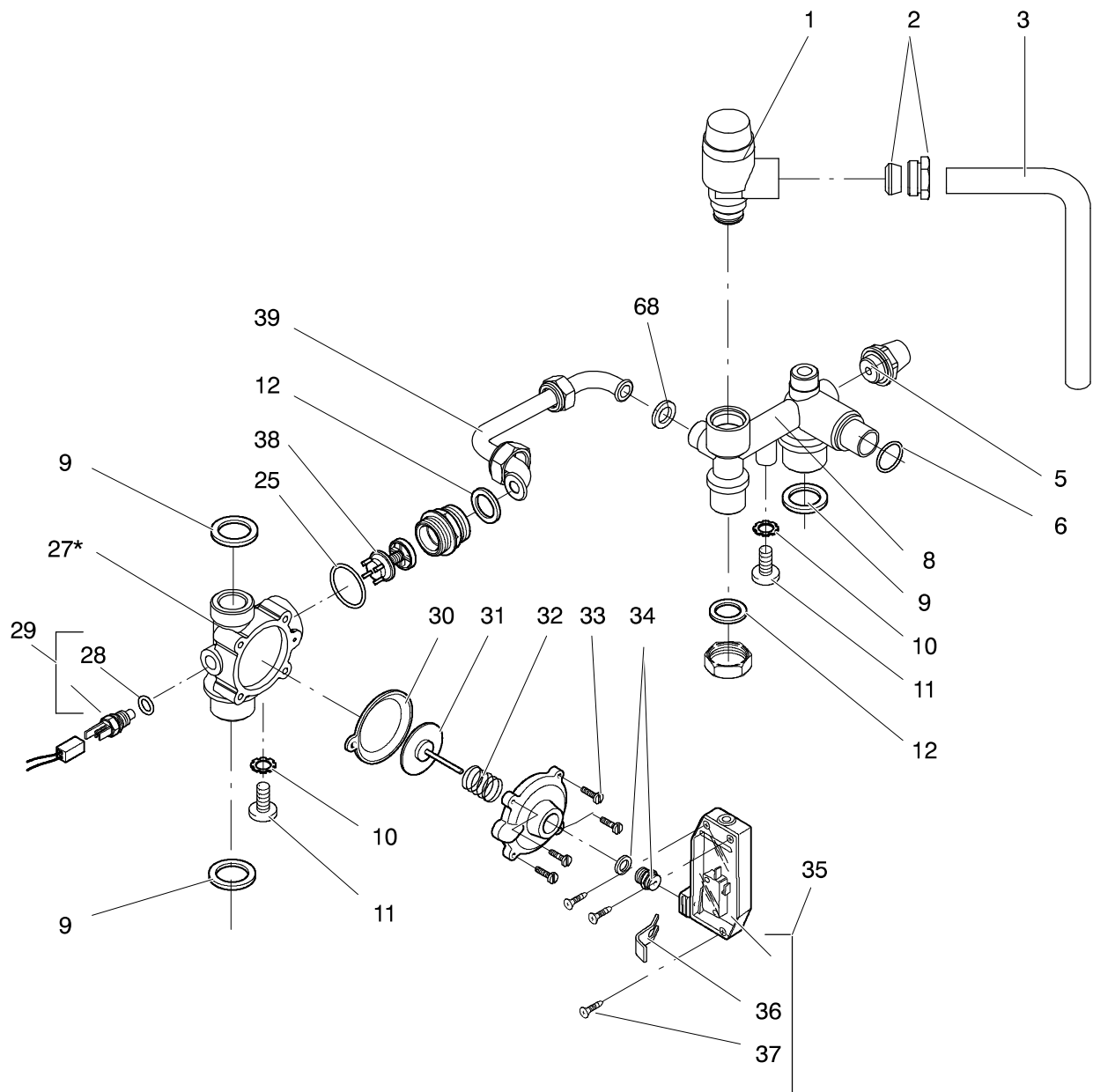
DATA BADGE: inner side of left case panel

up to serial no. N103761106 and
from N105811106 for model
M96.28SM/C2



C.h. flow and return groups

up to serial no. N296920207 for model
M96.28SR/C2



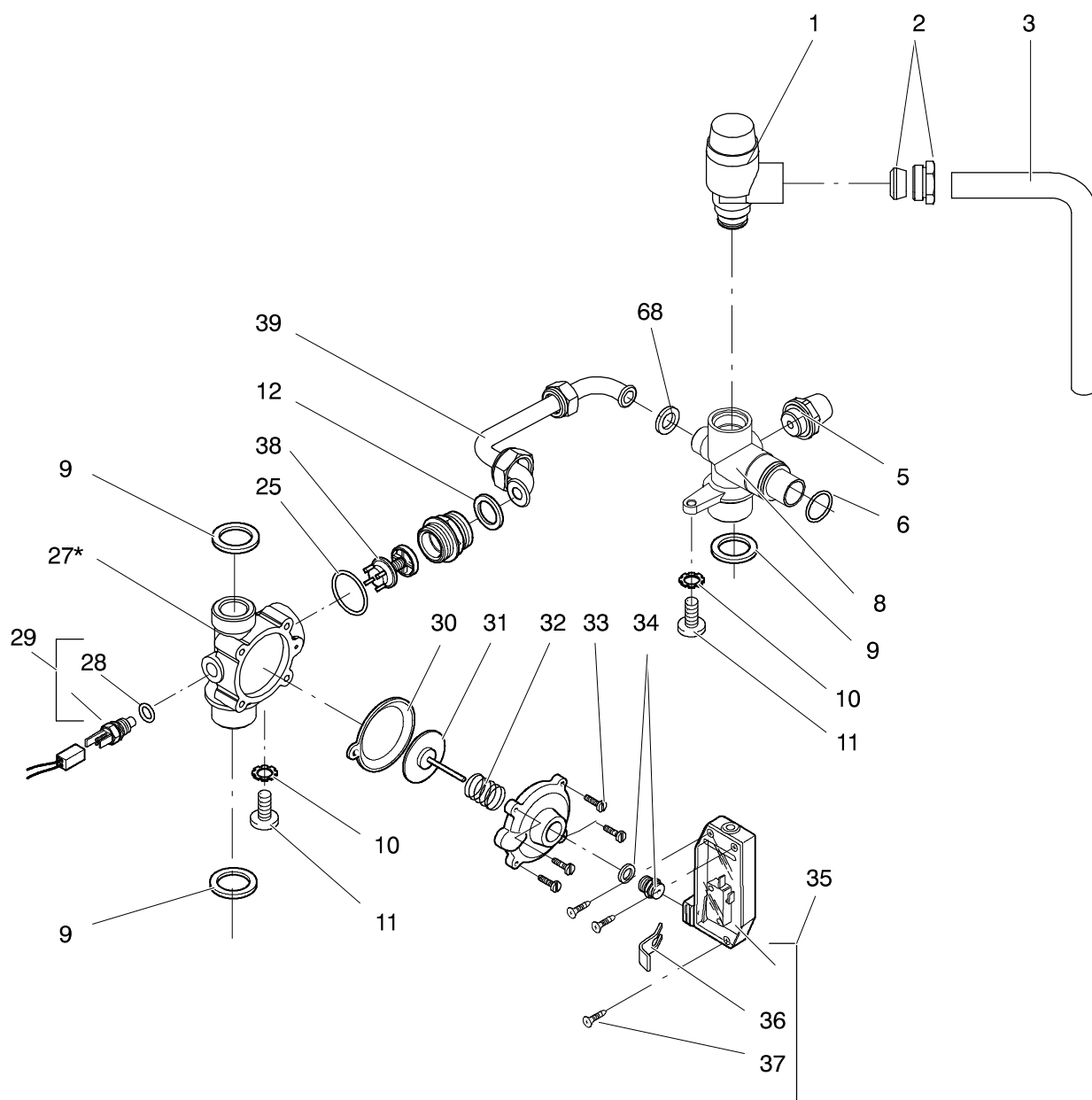
* Includes items 25, 30, 31, 32, 33, 34, 38

M96.28SR/C2
M96.24SR/C2

41-583-02
41-583-08

C.h. flow and return groups

from serial no. N296930207 for model M96.28SR/C2

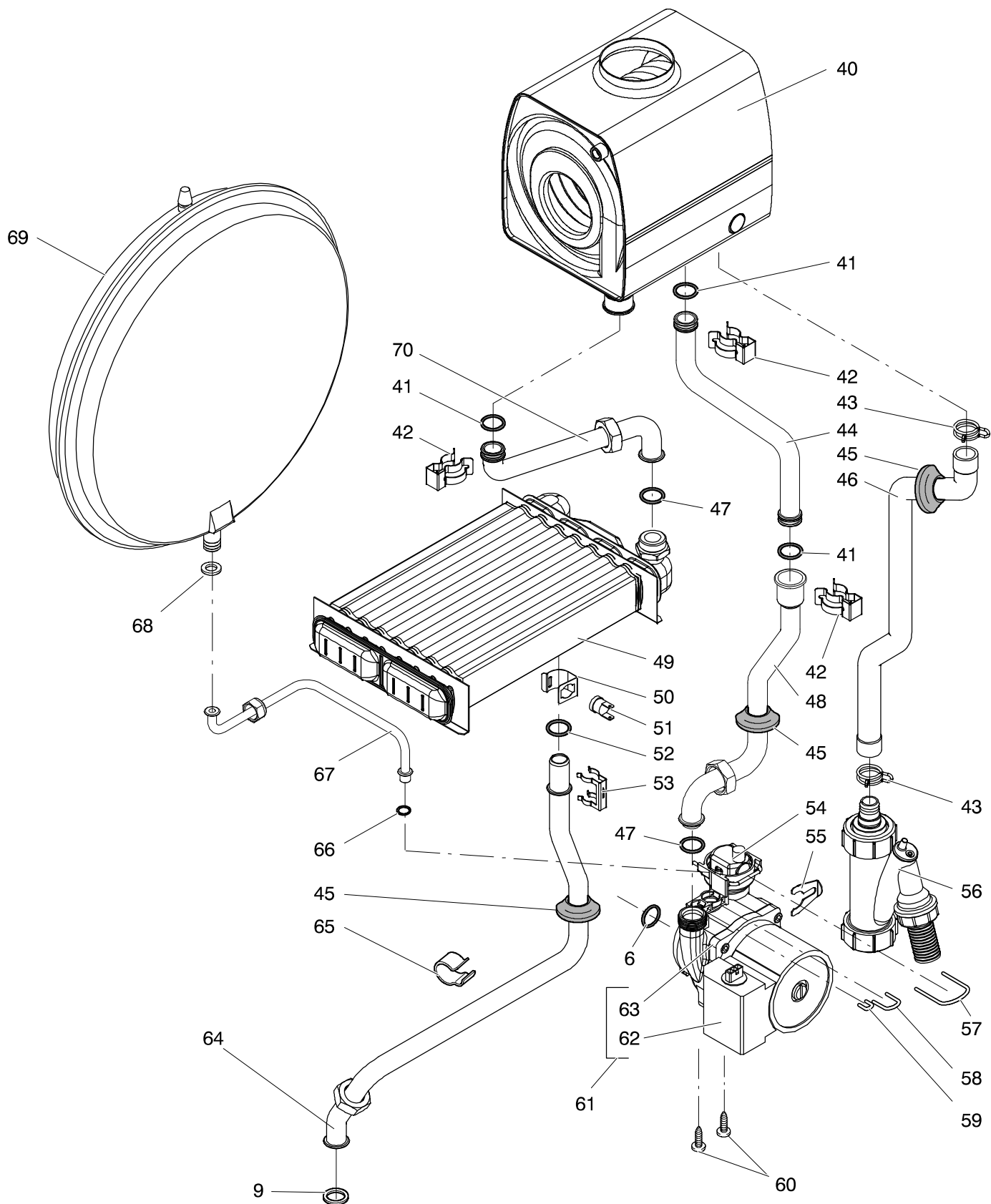


* Includes items 25, 30, 31, 32, 33, 34, 38

M96.28SR/C2
M96.24SR/C2

41-583-02
41-583-08

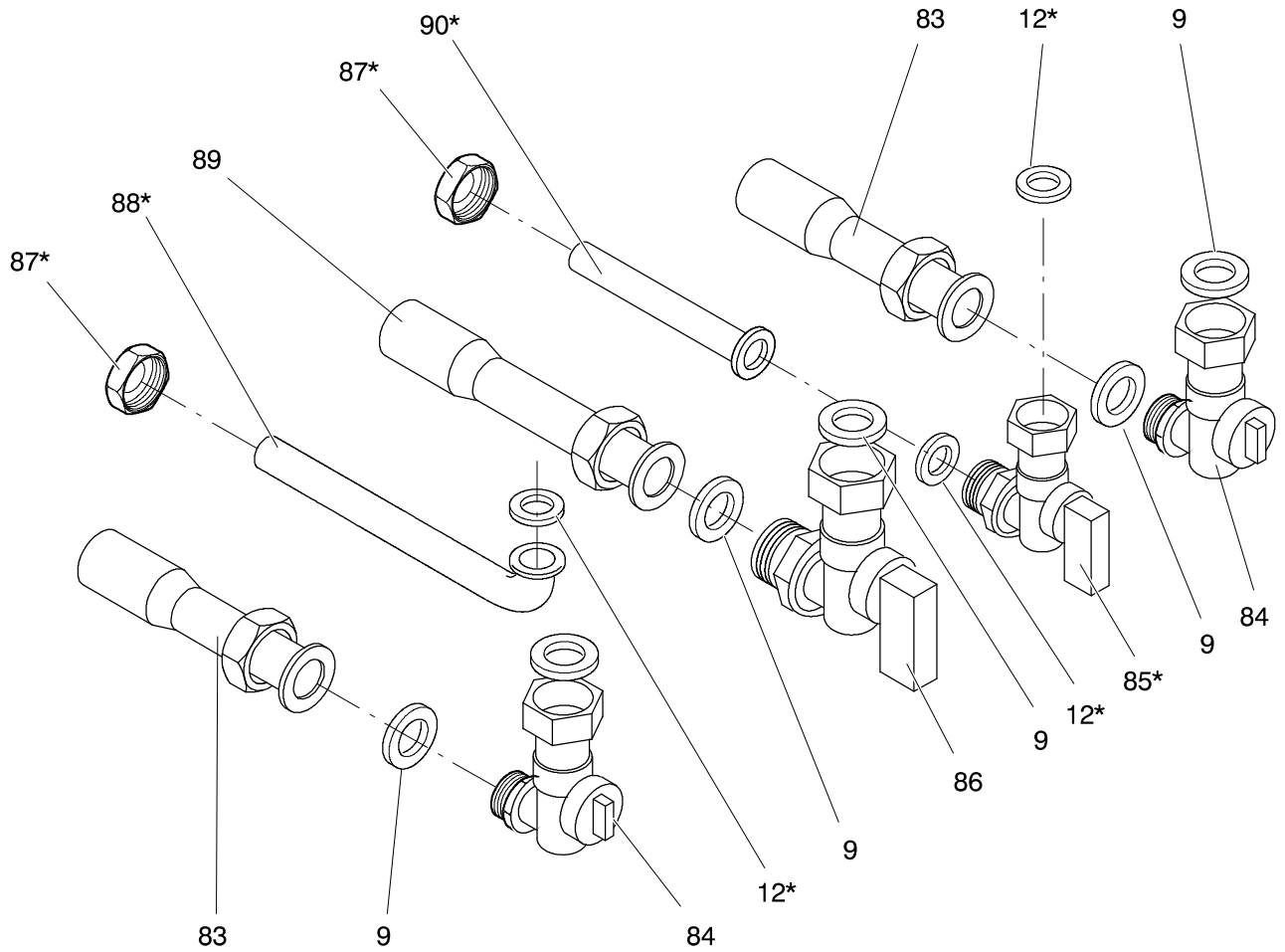
Pump and main circuit assembly



M96.28SR/C2
M96.24SR/C2

41-583-02
41-583-08

Valves and connection pipes

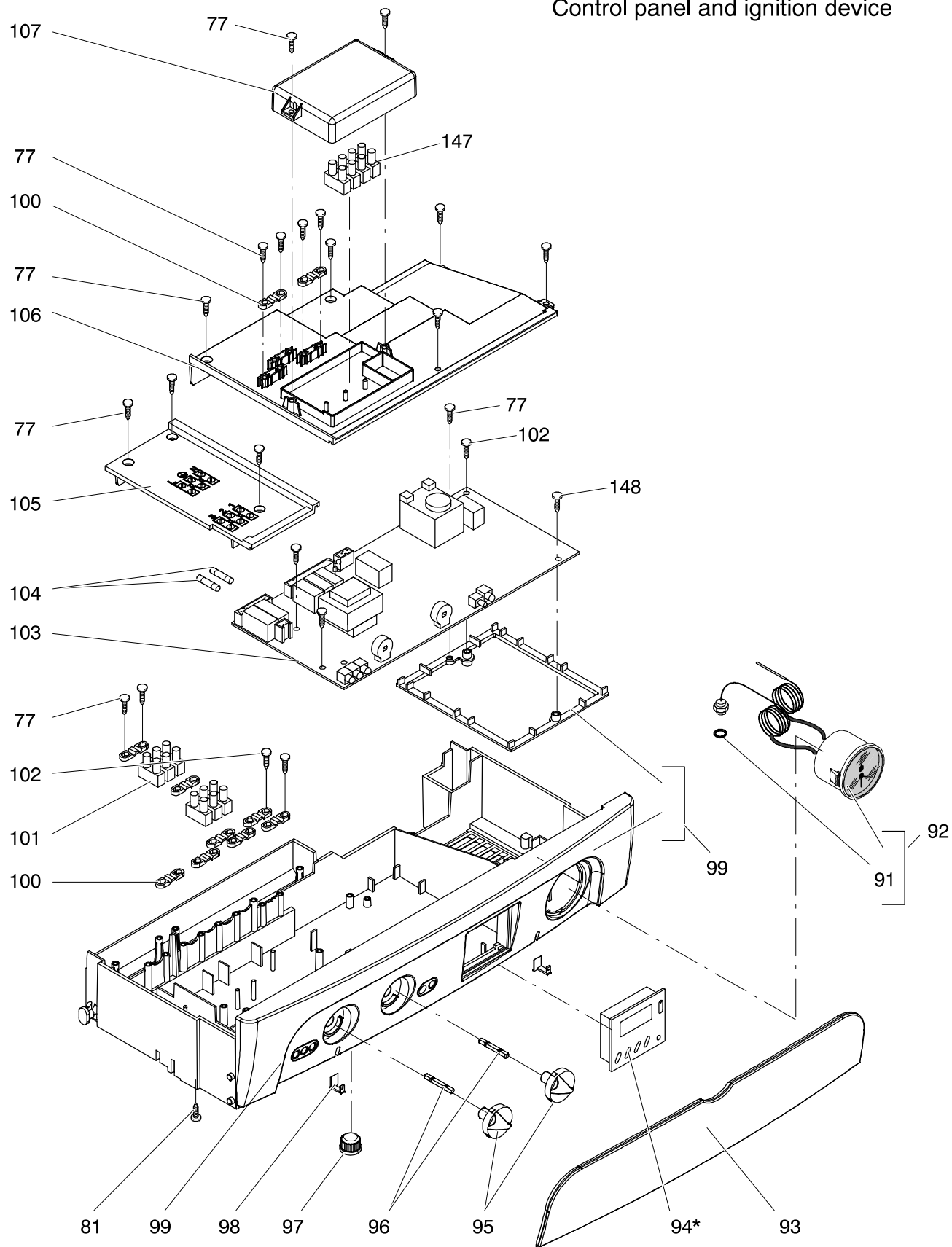


* Not for model M96.28SR/C2, M96.24SR/C2

M96.28SR/C2
M96.24SR/C2

41-583-02
41-583-08

Control panel and ignition device



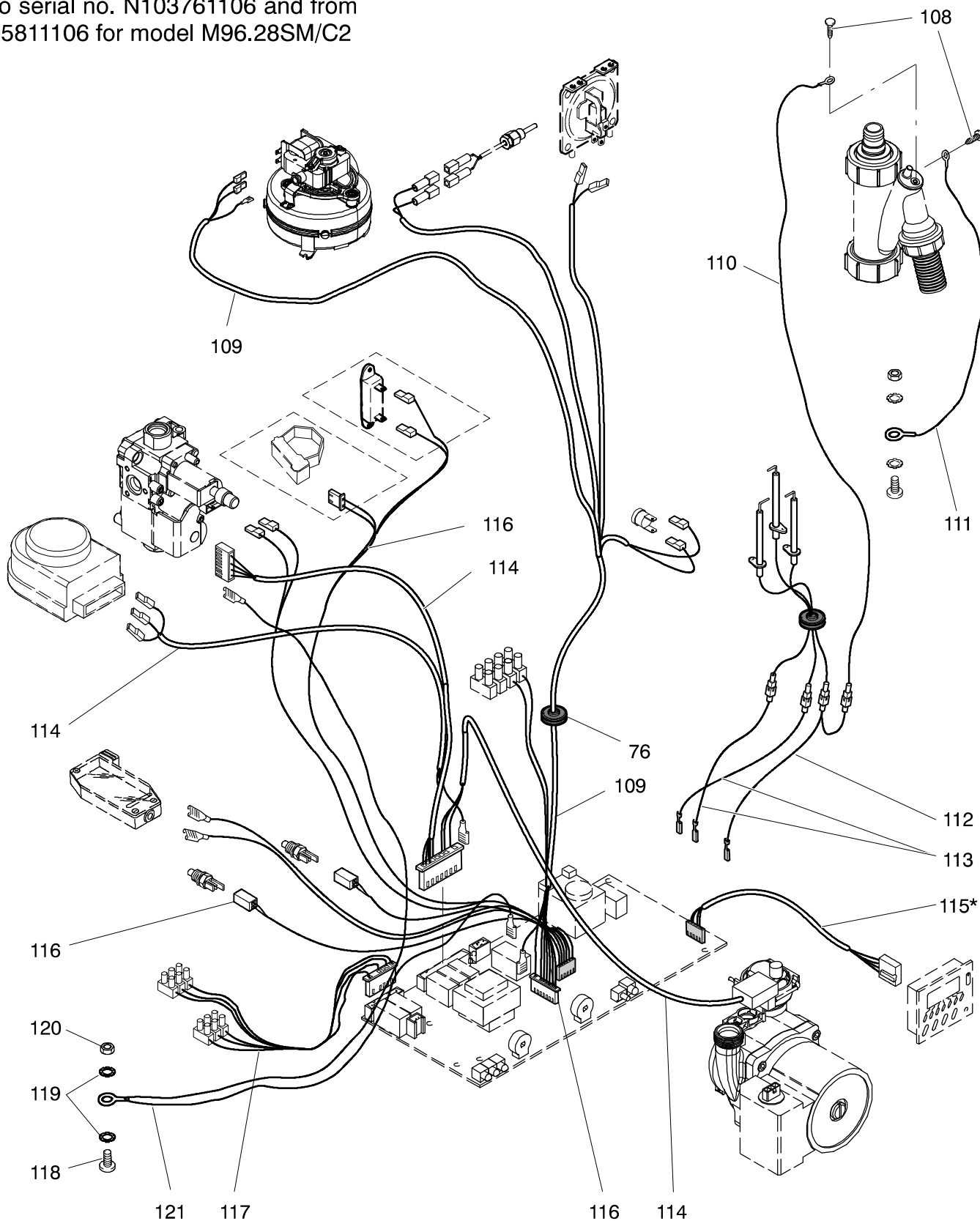
* Not for model M96.28SR/C2, M96.24SR/C2

M96.28SR/C2
M96.24SR/C2

41-583-02
41-583-08

Wiring

up to serial no. N103761106 and from
N105811106 for model M96.28SM/C2

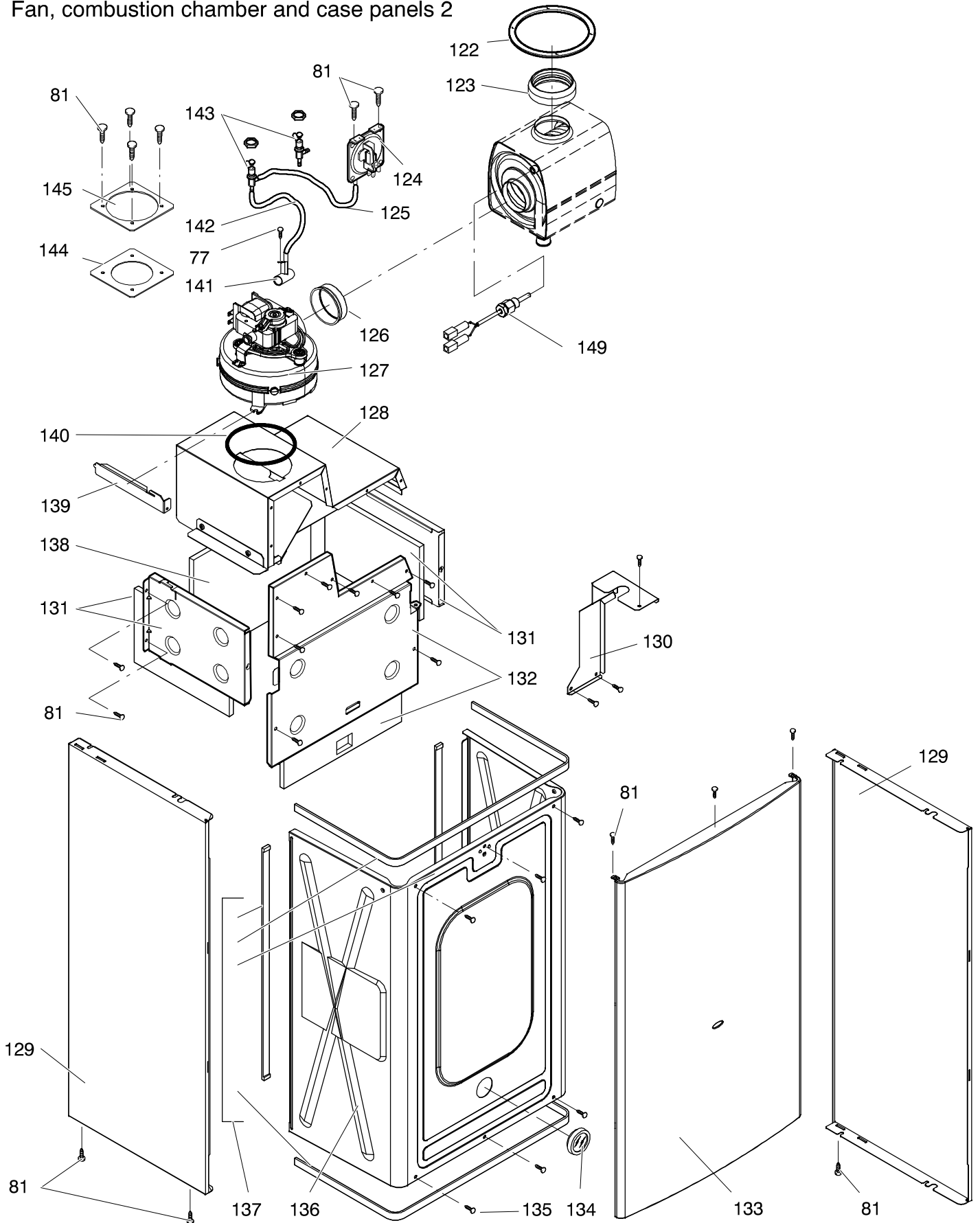


* Not for model M96.28SR/C2, M96.24SR/C2

M96.28SR/C2
M96.24SR/C2

41-583-02
41-583-08

Fan, combustion chamber and case panels 2



Date _____

Sheet 1 of 8Manufacturer Biasi SpA – ItalyAppliance(s) M96.28SR/C2 M96.24SR/C2GC Appliance Number(s) 41–583–02 41–583–08

Contract Name _____

Telephone Number _____

(a)	(b)	(c)	(d)	(e)	(f)	(g)	(h)	(i)	(j)	(k)
Key no.	GC Part Number	Description	No. Off	Makers part number which have a CG number	Maker's old part number which have since been changed	Maker's new part number which DO NOT have a GC number	M B F	Original Supplier	Original Supplier part number	Retail price excl. VAT
		Position of data badge: inner side of left case panel								
		Instructions booklets set	1			BI1913 504	M			
1	E83–013	Safety valve 3 bar	1	BI1131 100			B	Watts Interme – Caldaro Italy	3 bar	
								Orkli (alternative)	3 bar	
2	E23–759	Safety valve connection	1	BI1001 127			M			
3	H05–158	Safety valve connection pipe	1	BI1131 106			M			
5	E00–669	Drainage valve	1	BI1011 104			B	Watts Interme – Caldaro Italy	RSR8 1/4"	
6	H20–945	O–ring gasket 17,04x4,00	5	BI1212 112			M			
8	H06–023	Return group kit up to serial no. N296920207 for model M96.28SR/C2	1	BI1171 100			M			
	H46–401	Return group kit from serial no. N296930207 for model M96.28SR/C2, and model M96.24SR/C2	1	BI1171 105			M			
9	169–033	Flat gasket 3/4"	9	BI1001 108			M			
10	E23–757	Toothed lock washer external 6,4 mm up to serial no. N103761106 and from N105811106 for model M96.28SM/C2	2	BI1001 124			F			
11	402–325	Screw M6x10 – BZP RPH	3	BI1172 115			F			
12	169–141	Gasket 1/2"	3	BI1001 106			M			
25	E00–680	O–ring gasket 2,62x23,47	1	BI1011 107			M			
27	H27–556	Flow group kit	1	BI1171 103			M			
28	H23–733	O–ring gasket 9,25x1,78 (NTC)	1	KI1001 128			M			
29	164–026	Temperature probe (special)	1	BI1001 117			M			
30	E00–688	Central heating pressure switch membrane	1	BI1011 103			M			
31	E00–687	Central heating pressure switch disk	1	BI1011 111			M			
32	E00–686	Central heating pressure switch spring	1	BI1011 110			M			

Sheet 2 of 8Appliance number(s) 41-583-02 41-583-08

(a)	(b)	(c)	(d)	(e)	(f)	(g)	(h)	(i)	(j)	(k)
Key no.	GC Part Number	Description	No. Off	Makers part number which have a CG number	Maker's old part number which have since been changed	Maker's new part number which DO NOT have a GC number	M B F	Original Supplier	Original Supplier part number	Retail price excl. VAT
33	E00-685	Screw M4x12 mm Stainless steel SCH	4	Bl1011 109			F			
34	E00-681	Microswitch guide bush	1	Bl1011 502			M			
35	E00-684	Microswitch kit	1	Bl1011 505			M			
36	E00-683	Microswitch box fixing clip	1	Bl1011 105			M			
37	E00-682	Screw 2,9x13 mm AB self tapping BZP - RCH	3	Bl1011 108			F			
38	H20-966	By-pass kit	1	Bl1141 505			M			
39	H06-027	By-pass pipe up to serial no. N296920207 for model M96.28SR/C2	1	Bl1171 102			M			
	H63-681	By-pass pipe from serial no. N296930207 for model M96.28SR/C2 and model M96.24SR/C2	1	Bl1171 106			M			
40	H07-112	Condensing heat exchanger	1	Bl1262 122			M			
41	H20-970	O-ring gasket 2,62x17,86	3	Bl1262 112			M			
42	E83-108	Condensing heat exchanger connection clip	3	Bl1172 101			M			
43	H20-972	Connection spring	2	Bl1262 117			F			
44	H20-977	Condensing heat exchanger inlet pipe - upper	1	Bl1262 109						
45	169-104	Grommet	4	Bl1002 113			M			
46	H20-980	Condensate discharge pipe	1	Bl1262 110			M			
47	H20-981	O-ring gasket 1,9X16	2	Bl1262 114			M			
48	H20-982	Condensing heat exchanger inlet pipe - lower	1	Bl1262 108			M			
49	H20-984	Main exchanger M96.24SM/C2, M96.24SR/C2	1	Bl1262 101			M			
49 A	H20-985	Main exchanger M96.28SM/C2, M96.28SR/C2	1	Bl1262 102			M			
50	E94-723	Overheat thermostat fixing clip	1	Bl1182 100			M			
51	E83-101	Overheat thermostat	1	Bl1172 105			B	Elth	261 105°C	
52	169-025	O-ring gasket 17,04x3,53	1	Kl1043 114			M			
53	E94-737	Main exchanger connection clip	1	Bl1182 106			M			

CONTINUATION SHEETSheet 3 of 8Appliance number(s) 41-583-02 41-583-08

(a)	(b)	(c)	(d)	(e)	(f)	(g)	(h)	(i)	(j)	(k)
Key no.	GC Part Number	Description	No. Off	Makers part number which have a CG number	Maker's old part number which have since been changed	Maker's new part number which DO NOT have a GC number	M B F	Original Supplier	Original Supplier part number	Retail price excl. VAT
54	H20-986	Automatic air purger valve	1	Bl1212 107			M			
55	H20-987	Pump connection fork	1	Bl1262 116			M			
56	H20-989	Condensate trap	1	Bl1262 118			M			
57	H20-990	Fork	1	Bl1262 120			M			
58	169-015	Fork	1	Kl1042 101			M			R
59	169-040	Fork	1	Kl1042 115			M			R
60	H20-992	Screw 5X16	2	Bl1262 115			F			
61	H20-993	Pump (complete)	1	Bl1262 103			M	Wilo	NFSL12/6-1 HE CRF9-S 82W	R
62	H20-994	Pump (motor)	1	Bl1262 119			B			
63	E83-114	Pump gasket	1	Bl1172 113			M			
64	H27-563	Main exchanger outlet pipe	1	Bl1262 121			M			
65	169-045	Probe holder	1	Bl1105 108			M			
66	H20-996	O-ring gasket 2,62X9,92	1	Bl1262 113			M			
67	H20-997	Expansion vessel connection pipe	1	Bl1262 105			M			
68	H03-727	Flat gasket 3/8" O.D 15 mm, i.d. 8.5 mm	2	Bl1202 105			M			
69	E83-121	Expansion vessel	1	Bl1172 103			B	CIMM Srl - Castello di Godego Italy	CP387 6L	
								Zilmet - Italy (alternative)	13C0000600	
70	H27-566	Condensing heat exchanger outlet pipe	1	Bl1262 107			M			
71	169-069	Injectors with gaskets 130 - NG	14	Kl1064 505			B	Polidoro		
71 A	E01-156	Injectors with gaskets 75 - LPG	14	Bl1003 509			B	Polidoro		
72	173-148	Burner M96.24SM/C2, M96.24SR/C2	1	Kl1004 102			B	Polidoro		
72 A	173-149	Burner M96.28SM/C2, M96.28SR/C2, M96.32SM/C2	1	Kl1004 147			B	Polidoro		
73	E83-122	Detection electrode	1	Bl1123 102			M			
74	E83-126	Ignition electrode - right	1	Bl1123 103			M			
75	E83-127	Ignition electrode - left	1	Bl1123 101			M			

CONTINUATION SHEETSheet 4 of 8Appliance number(s) 41-583-02 41-583-08

(a)	(b)	(c)	(d)	(e)	(f)	(g)	(h)	(i)	(j)	(k)
Key no.	GC Part Number	Description	No. Off	Makers part number which have a CG number	Maker's old part number which have since been changed	Maker's new part number which DO NOT have a GC number	M B F	Original Supplier	Original Supplier part number	Retail price excl. VAT
76	169-125	Grommet	1	Bl1002 115			M			
77	409-736	Tapping screw 3,5x9,5 recessed pan head	28	Bl1013 115			F			
78	409-531	Taptite screw M4x8 Recessed pan head Hardened steel	4	Bl1013 111			F			
		Bright Zinc Plated BS3382 Clear passivated and lanolin								
		Dipped								
79	H32-602	Gas valve	1	Bl1243 100			B	Honeywell	VK4105M	
80	H32-558	Gas pipe to the manifold	1	Bl1243 101			M			
81	409-722	Tapping Screw ISO No8 B 4,2x9,5 Recessed Pan Head	83	Bl1013 110			F			
		Hardened Steel BS4174 Bright Zinc plate BS1706 Clear								
		Passivated								
82	E83-131	Gas manifold with injectors NG M96.24SM/C2,	1	Bl1183 103			B	Polidoro		
		M96.24SR/C2								
82 A	H21-021	Gas manifold with injectors LPG M96.24SM/C2,	1	Bl1213 101			B	Polidoro		
		M96.24SR/C2								
82 B	E83-133	Gas manifold with injectors NG M96.28SM/C2,	1	Bl1183 105			B	Polidoro		
		M96.28SR/C2, M96.32SM/C2								
82 C	H21-023	Gas manifold with injectors LPG M96.28SM/C2,	1	Bl1213 102			B	Polidoro		
		M96.28SR/C2, M96.32SM/C2								
83	H21-025	C.h. connection pipe	2	Bl1124 100			M			
84	E83-136	Tap 3/4" - c.h.	2	Bl1084 105			B			
86	E83-138	Tap 3/4" - gas	1	Bl1084 100			B			
89	E05-387	Pipe 22 mm dia gas	1	Bl1014 112			M			
		(replacement for discontinued Bl1124 101)								
91	E83-144	O-ring gasket 1,78 x 6,75	1	Bl1475 119			M			
92	E83-145	Temperature-pressure gauge	1	Bl1475 108			M			

CONTINUATION SHEETSheet 5 of 8Appliance number(s) 41-583-02 41-583-08

(a)	(b)	(c)	(d)	(e)	(f)	(g)	(h)	(i)	(j)	(k)
Key no.	GC Part Number	Description	No. Off	Makers part number which have a CG number	Maker's old part number which have since been changed	Maker's new part number which DO NOT have a GC number	M B F	Original Supplier	Original Supplier part number	Retail price excl. VAT
93		Cover panel	1			BI1605 108	M			
95	H27-577	Knob	2	BI1605 106			M			
96	E83-149	Shaft	2	BI1475 105			M			
97	E83-150	Control panel plug	1	BI1475 110			M			
98	H27-578	Hinge plugs (couple)	2	BI1605 107			M			
99		Control panel box M96.28SR/C2, M96.24SR/C2	1			BI1715 104	M			
100	E83-152	Cable holder	10	KI1066 208			B	Fastpoint S.r.l.	1207.BB01 XS	
		Replacement for discontinued KI1066 102								
101	E83-153	Terminal block	2	BI1475 109			B	Elettrogibi	PA27	
								Odoardo Korner (alternative)	OK-433-FV	
102	409-727	Screw 3,5x16 mm self tap RPH	4	BI1165 101			F			
103	H44-169	Electronic control - ignition p.c.b.	1	BI1715 105			M			
		(Replacement for discontinued BI1715 100)								
104	H44-170	Fuse 3,15AF	2	BI1295 108			B			
105	E83-155	Service panel cover	1	BI1475 111			M			
106	H21-038	Control panel cover	1	BI1605 101			M			
107	H21-039	External controls cover	1	BI1605 102			M			
108	409-902	Screw 3,5X9,5 mm self tap RPH stainless steel	2	BI1615 104			F			
109	H32-567	Fan cable	1	BI1765 100			M			
110	H21-042	Detection to trap wiring	1	BI1615 101			M			
111	H21-043	Trap to earth wiring	1	BI1615 102			M			
112	H32-568	Flame detection electrode cable	1	BI1765 101			M			
113	H32-570	Ignition electrode cable	2	BI1765 102			M			
114	H63-683	Pump-gas valve cable	1	BI1765 104			M			
116	H46-380	Flow switch, temp. probe and modulator cable	1	BI1765 106			M			

CONTINUATION SHEETSheet 6 of 8Appliance number(s) 41-583-02 41-583-08

(a)	(b)	(c)	(d)	(e)	(f)	(g)	(h)	(i)	(j)	(k)
Key no.	GC Part Number	Description	No. Off	Makers part number which have a CG number	Maker's old part number which have since been changed	Maker's new part number which DO NOT have a GC number	M B F	Original Supplier	Original Supplier part number	Retail price excl. VAT
117	H39-041	Power supply and external control cable	1	Bl1675 106			M			
118	402-225	Machine Screw M5x10 Recessed Pan Head Mild steel	1	Bl1035 109			F			
		BS4183 Bright zinc plate BS3382 Clear Passivated								
119	164-133	Toothed lock washer external 5,3x10 mm stainless	2	Bl1035 110			F			
120	404-609	Full nut M5 Hexagon Steel grade 8 BS3692 Bright zinc	1	Bl1035 111			F			
		plate BS3382 clear passivated								
121	H32-583	Earth wiring	1	Bl1765 108			M			
122	169-110	Flue pipe gasket	1	Bl1016 104			M			
123	H21-045	Flue outlet gasket	1	Bl1406 112			M			
123 A		Flue outlet gasket	1			Bl1536 101	M			
		(replacement for discontinued Bl1406 112)								
124	169-127	Air pressure switch M96.24SM/C2, M96.32SM/C2,	1	Kl1267 103			B	Yamatake-Honeywell	C6065 0,88 mbar	
		M96.24SR/C2								
124 A	H08-605	Air pressure switch M96.28SM/C2, M96.28SR/C2	1	Bl1376 104			B	Yamatake-Honeywell	C6065 1,38 mbar	
		(replacement for discontinued Bl1406 102)								
125	E83-188	Venturi device tube	1	Bl1256 101			M			
126	H21-047	Fan outlet gasket	1	Bl1406 113			M			
126 A		Fan outlet gasket	1			Bl1536 102	M			
		(replacement for discontinued Bl1406 113)								
127	H21-048	Fan M96.24SM/C2, M96.24SR/C2	1	Bl1406 100			B	FIME	GR 02445 47W	
127 A	H21-049	Fan M96.28SM/C2, M96.28SR/C2, M96.32SM/C2	1	Bl1406 101			B	FIME	GR 02440 60W	
128	H07-876	Flue hood M96.24SM/C2, M96.24SR/C2	1	Bl1406 121			M			
128 A	H07-877	Flue hood M96.28SM/C2, M96.28SR/C2, M96.32SM/C2	1	Bl1406 122			M			
129	H21-052	Side case panel	2	Bl1406 106			M			
130	H21-054	Air deflector - right	1	Bl1406 114			M			

CONTINUATION SHEETSheet 7 of 8Appliance number(s) 41-583-02 41-583-08

(a)	(b)	(c)	(d)	(e)	(f)	(g)	(h)	(i)	(j)	(k)
Key no.	GC Part Number	Description	No. Off	Makers part number which have a CG number	Maker's old part number which have since been changed	Maker's new part number which DO NOT have a GC number	M B F	Original Supplier	Original Supplier part number	Retail price excl. VAT
131	E83-178	Combustion chamber side panel	2	Bl1326 100			M			
132	H07-879	Combustion chamber front panel M96.24SM/C2, M96.24SR/C2	1	Bl1406 118			M			
132 A	H07-881	Combustion chamber front panel M96.28SM/C2, M96.28SR/C2, M96.32SM/C2	1	Bl1406 119			M			
133		Front case panel	1			Bl1416 102	M			
134	E69-243	Window (glass + rubber frame)	1	Bl1206 118			M			
135	409-747	Screw 4,8x13 mm AB self tapping RPH BZP	4	Bl1336 114			F			
136	H21-059	Sealed chamber lid	1	Bl1406 105			M			
137	H21-060	Sealed chamber gaskets kit	1	Bl1406 500			M			
138	E83-180	Combustion chamber rear panel M96.24SM/C2, M96.24SR/C2	1	Bl1326 107			M			
138 A	E83-181	Combustion chamber rear panel M96.28SM/C2, M96.28SR/C2, M96.32SM/C2	1	Bl1326 108			M			
139	H07-883	Fan holder bracket	1	Bl1406 120			M			
140	H21-063	Fan inlet gasket	1	Bl1406 111			M			
141	H03-695	Venturi	1	Bl1366 100			M			
142	E01-187	Flue pressure switch tube	1	Bl1016 107			M			
143	E05-424	Air switch pressure test point	2	Bl1036 101			M			
144	H21-070	Air restrictor d. 50	1	Bl1406 115			M			
144 A	H21-071	Air restrictor d. 55	1	Bl1406 116			M			
145	E01-184	Gasket - Air intake twin kit	1	Bl1016 101			M			
146	E01-157	Screw self tapping 3,9x9,5 mm type AB Recessed Pan Head Bright Zinc Plated	2	Bl1013 112			F			
147	H32-597	4 poles terminal block	1	Bl1665 102			B	Odoardo Korner	OK 433-PLP-SPF	

