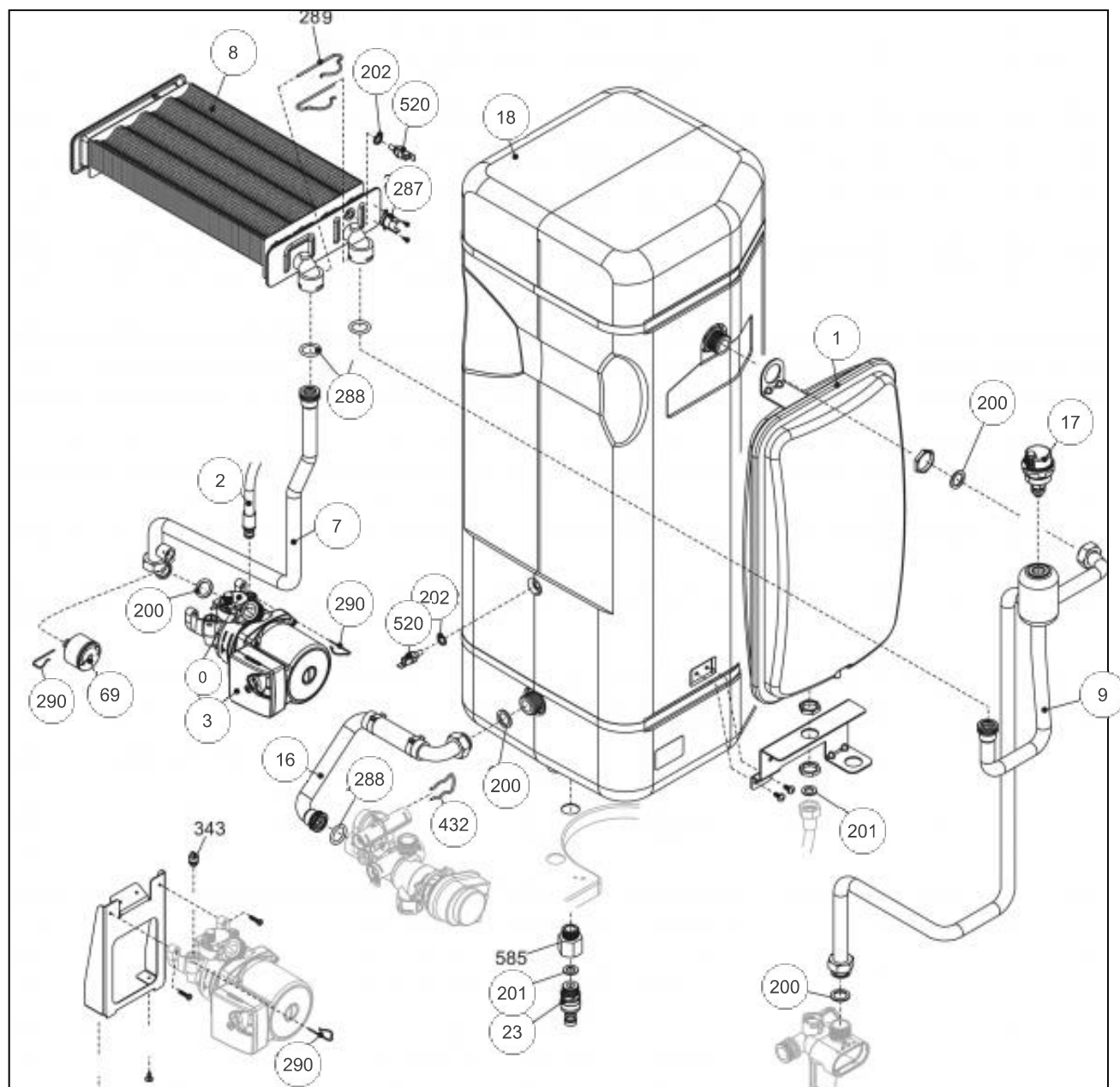


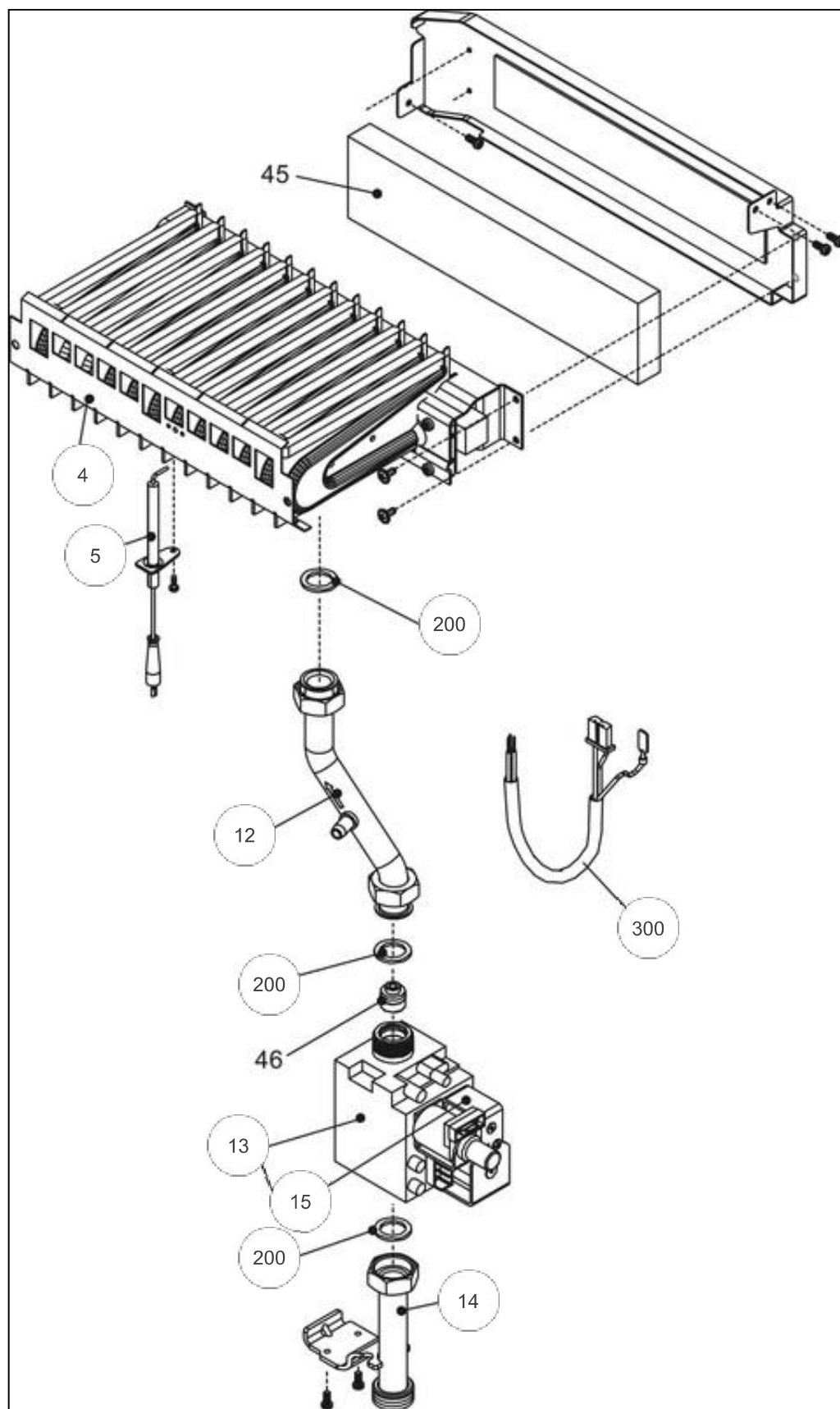
Références

| Repère | Libellé | A |
|---------------|-------------------------|----------|
| 18 | COUV/PROT IDRA4000/S | 111487 |
| 20 | PLATINE PRINCIPALE | 102156 |
| 25 | TAB BORD IDRA/C | 177133 |
| 26 | PLATINE AFFICHAGE BLANC | 102155 |
| 31 | HABI. IDRACOND 4030BVR | 135552 |
| 58 | CLIP HABILLAGE | 110320 |
| 270 | TRANSF ALL IDRA3224B | 198629 |
| 300 | CABLE ME2 IDRA4000B | 109531 |
| 301 | CABLE ENS HYD CN7 | 109534 |
| 302 | CABLE E/BORNIER ME1 | 109479 |
| 303 | NAPPE AFFICHAGE | 153011 |



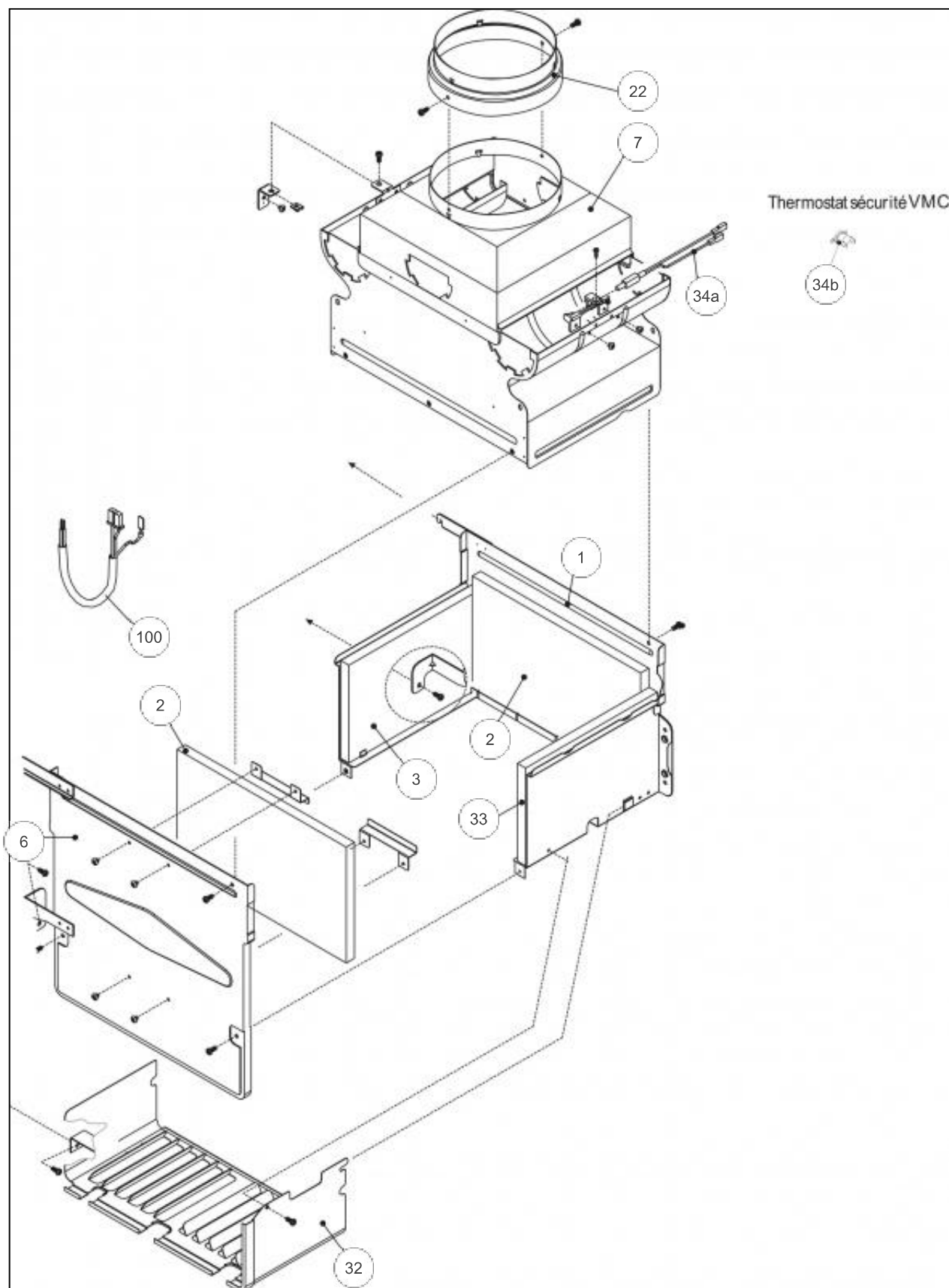
Références

| Repère | Libellé | A |
|--------|-------------------------|--------|
| 0 | PURGEUR IDRA/C | 159428 |
| 1 | VASE IDR/CONDENS4030BVR | 188241 |
| 2 | TUBE F/V-E IDRA3224B | 182640 |
| 3 | CIRCUL.IDRA4000/S | 109944 |
| 7 | TUYAU REOUR ECHANG | 182327 |
| 8 | ECHANGEUR | 122022 |
| 9 | TUYAU DEPART | 182325 |
| 16 | TUYAU RETOUR BALLON | 182319 |
| 17 | PURGEUR AUTO | 159431 |
| 18 | BALLON 60L | 102066 |
| 23 | ROBINET/V IDRA 3224B | 166708 |
| 69 | MANOMETRE IDRA | 149967 |
| 200 | JOINT 3/4PCE IDRA | 142414 |
| 201 | JOINT 1/2PCE IDRA | 142416 |
| 202 | JOINT SONDE IDRA E24 | 142674 |
| 287 | THERM LIMIT | 178960 |
| 288 | JOINT IDRA | 142667 |
| 290 | CLIP F/VASE CIAO3124 | 110326 |
| 432 | CLIP FIXATION CORPS | 110333 |
| 520 | SONDE NTC IDRA 3000 | 198733 |



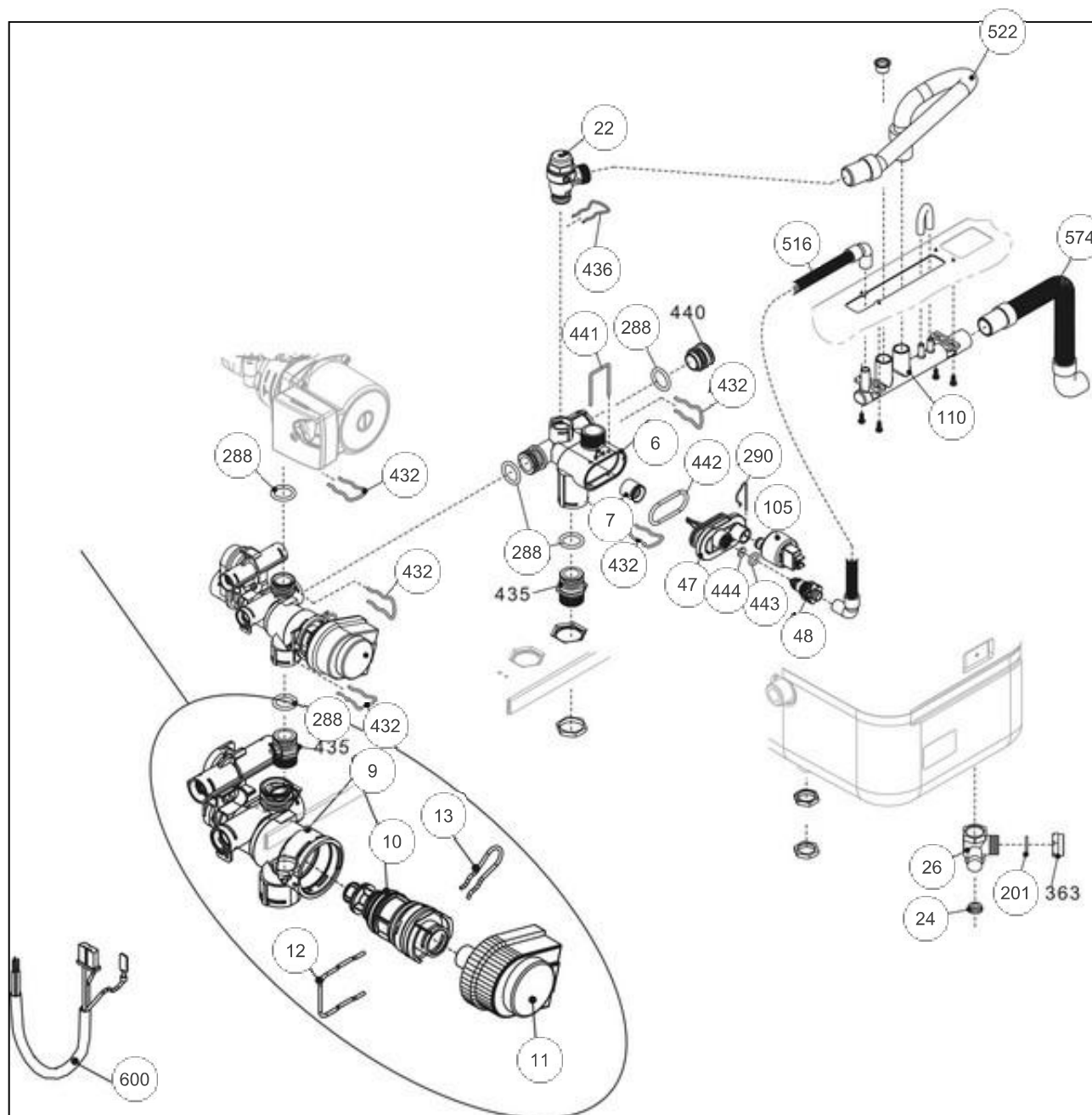
Références

| Repère | Libellé | A |
|---------------|----------------------|----------|
| 4 | BRUL GN ID4024B/BVMC | 105494 |
| 5 | ELECTRODE IDRA3224B | 124386 |
| 12 | TUYAU GAZ IDRA 4024B | 182330 |
| 13 | VANNE GAZ IDRA3000 | 188163 |
| 14 | TUYAU GAZ | 182340 |
| 15 | BOBINE VAN SIT SIGMA | 106124 |
| 200 | JOINT 3/4PCE IDRA | 142414 |
| 300 | CABLE VANNE GAZ | 109536 |



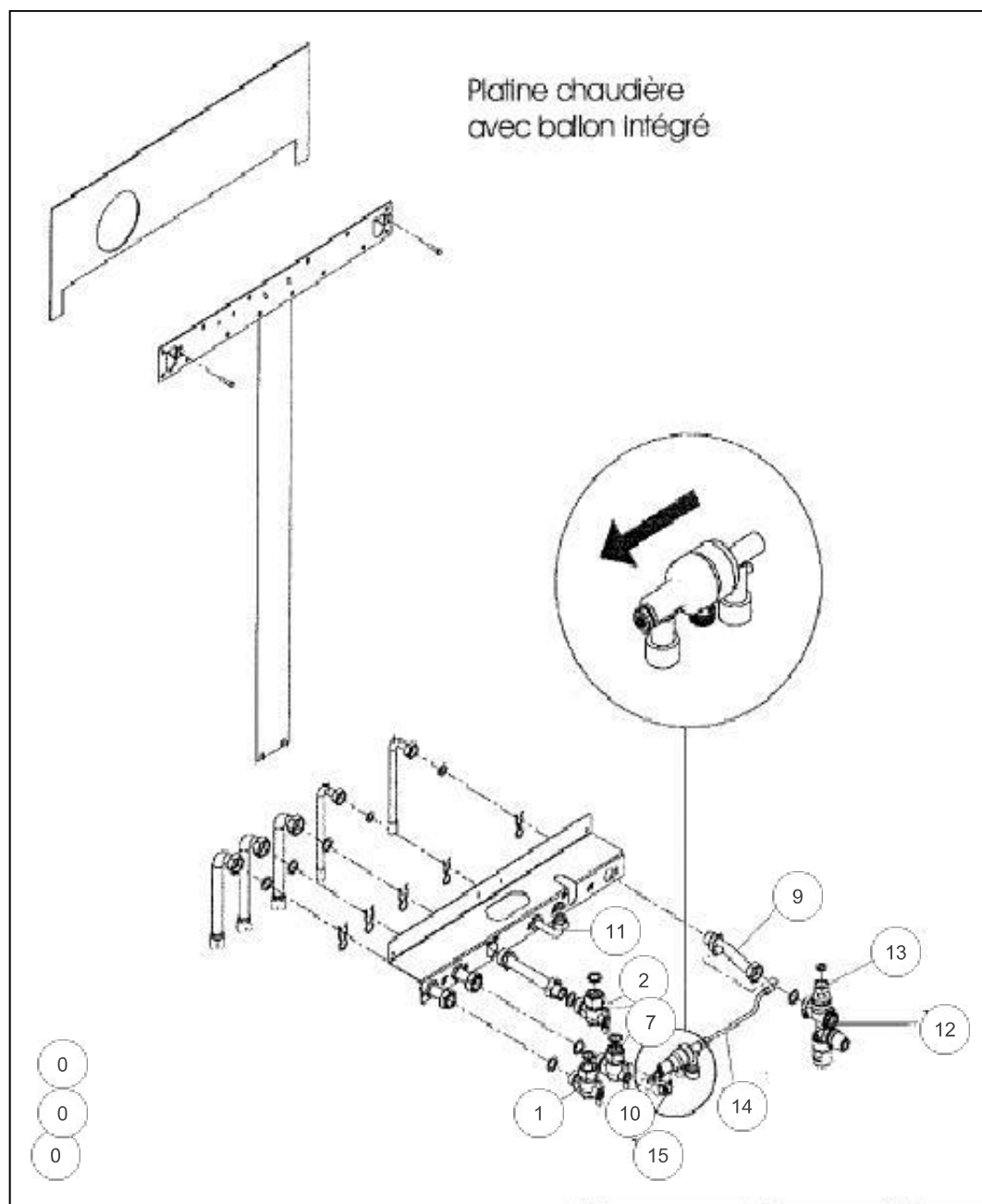
Références

| Repère | Libellé | A |
|---------------|-------------------------------|----------|
| 1 | CHAMBRE COMBUSTION | 132560 |
| 2 | PLAQ ISOL AR IDRA | 157538 |
| 3 | PLAQ IS AR IDRA3224B | 157598 |
| 6 | COTE G CHAMBRE COMBUSTION | 132571 |
| 7 | COUPE TIRAGE IDRA3224B/ 4024B | 112922 |
| 22 | RED FUMEE IDRA 3224B | 164678 |
| 32 | DESSOUS CHAMBRE | 120166 |
| 33 | PLAQ IS FR IDRA3224B | 157599 |
| 34a | THERM FUM IDRA E24BI | 178942 |
| 100 | CABLE ENS COMBUSTION | 109533 |



Références

| Repère | Libellé | A |
|--------|-----------------------|--------|
| 6 | CORPS GROUPE BYPASS | 110493 |
| 7 | CLAPET BYPASS IDRA/C | 110113 |
| 9 | CORPS GROUPE CHAUFF. | 110495 |
| 10 | CARTOUCHE VANNE DIR. | 109654 |
| 11 | MOTEUR V/D IDRA COND | 150314 |
| 12 | CLIP FIXATION CART. | 110338 |
| 13 | CLIP FIXATION MOTEUR | 110337 |
| 22 | SOUPAPE SURETE IDRA/C | 174425 |
| 24 | LIMITEUR DEBIT3224BV | 146309 |
| 26 | TE LAITON IDRA 3224B | 177534 |
| 47 | COUV GROUPE BYPASS | 111485 |
| 48 | ROBINET VIDANGE | 166709 |
| 105 | CAPTEUR PRESSION | 109447 |
| 110 | COLLECTEUR EVACU. | 110492 |
| 201 | JOINT 1/2PCE IDRA | 142416 |
| 288 | JOINT IDRA | 142667 |
| 290 | CLIP F/VASE CIAO3124 | 110326 |
| 432 | CLIP FIXATION CORPS | 110333 |
| 436 | CLIP FIXATION SOUP. | 110335 |
| 441 | CLIP FIXATION COUV. | 110336 |
| 442 | JOINT GROUPE BYPASS | 142466 |
| 443 | JOINT TORIQUE | 142465 |
| 444 | JOINT IDRA | 142467 |
| 516 | TUYAU EVACU/VIDANGE | 182051 |
| 522 | TUYAU EVACUATION | 182052 |
| 574 | TUYAU EVACUATION COL | 182059 |
| 600 | CABLE CN5 IDRA 4000B | 109532 |



Références

| Repère | Libellé | A |
|---------------|----------------------|----------|
| 0 | JOINT 3/4PCE IDRA | 142414 |
| 0 | JOINT 1/2PCE IDRA | 142416 |
| 0 | CLIPS | 110324 |
| 1 | VANNE ARRET IDRA3000 | 188164 |
| 2 | ROBINET GAZ PL3224B | 188176 |
| 7 | VANNE ARRET IDRA3000 | 188165 |
| 10 | TUYAU DISCONNECTEUR | 182347 |
| 11 | TUYAU EC BAL PL3224B | 182298 |
| 12 | SOUP SANIT PL752BAL | 174418 |
| 13 | TUYAU SS-BAL PL3224B | 182295 |
| 14 | TUYAU DISCO PL752BAL | 182258 |
| 15 | DISCONNEX IDRAE28BVI | 119523 |