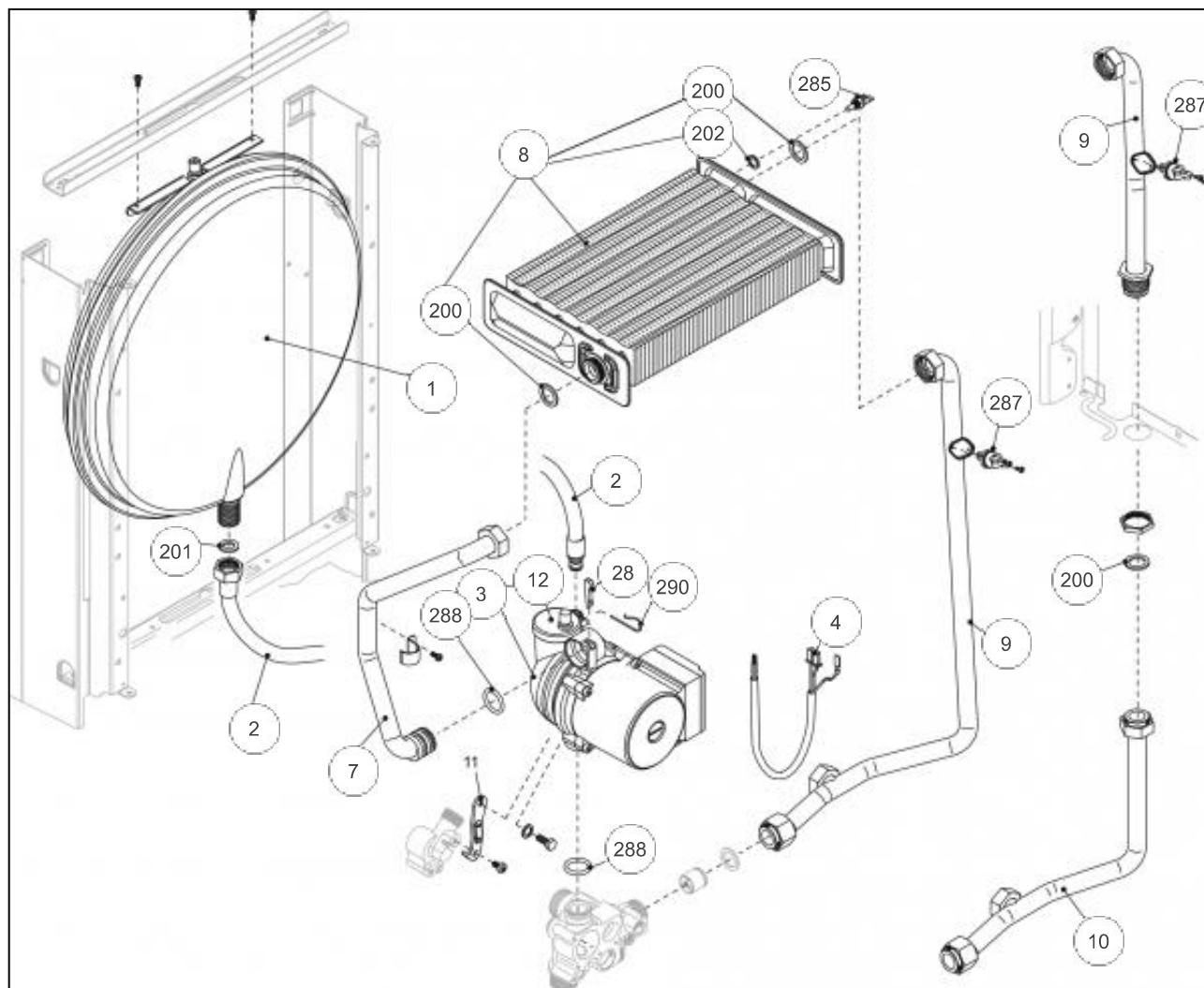


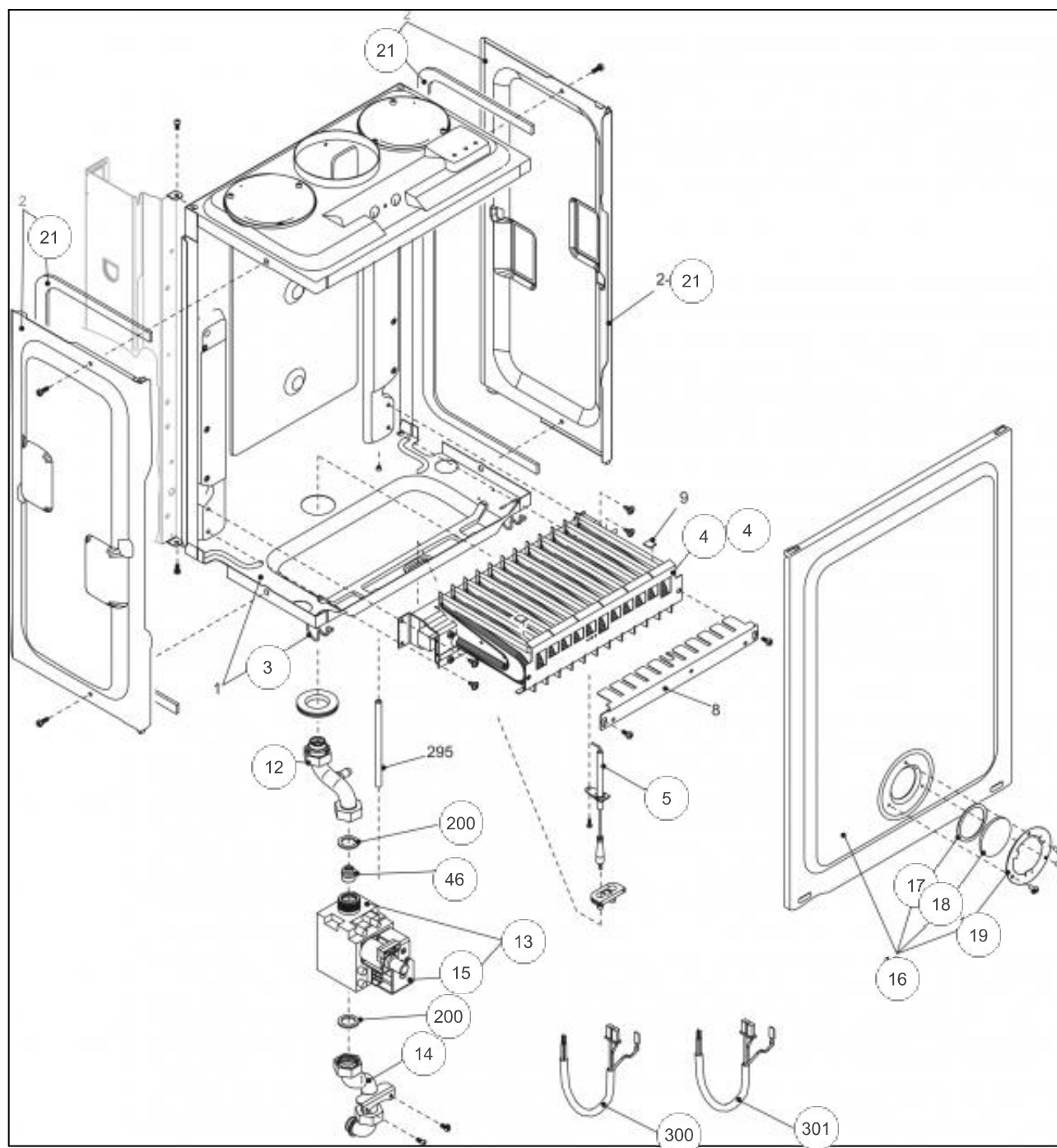
## Références

Repère	Libellé	C
1	CHASSIS IDRA 3228	112803
6	PROTECT INF IDRA3000	160362
12	MANOMETRE IDRA 3000	149965
16	FUSIBLE IDRAE2A/250V	199917
17	FUSIBLE 5X20 100MA	199919
18	COUV PROT IDRA 3200	111477
19	PLATINE ALL IDRA3224	102125
20	PLATINE PR IDRA 3200	102130
26	TABL BORD IDRA 3228S	177114
31	HABIL COMPL IDRA3228	135531
38	PLATINE/AUX IDRA3000	102120
38	CAB PL/AUXI IDRA3000	109113
39	RESS PORTIL IDRA3000	166062
40	PORTILLON IDRA 3200	161008
43	CLIP F/PORT IDRA3000	110321
44	MAN CH/SAN IDRA3000	149875
45	MANET O-O-R IDRA3000	149874
48	LED SIGNAL IDRA 3000	191055
51	BOUTON TOUCHE M IDRA	104710
270	TRANSF ALL IDRA 3200	198630
300	CABLAGE E/B IDRA3224	109278



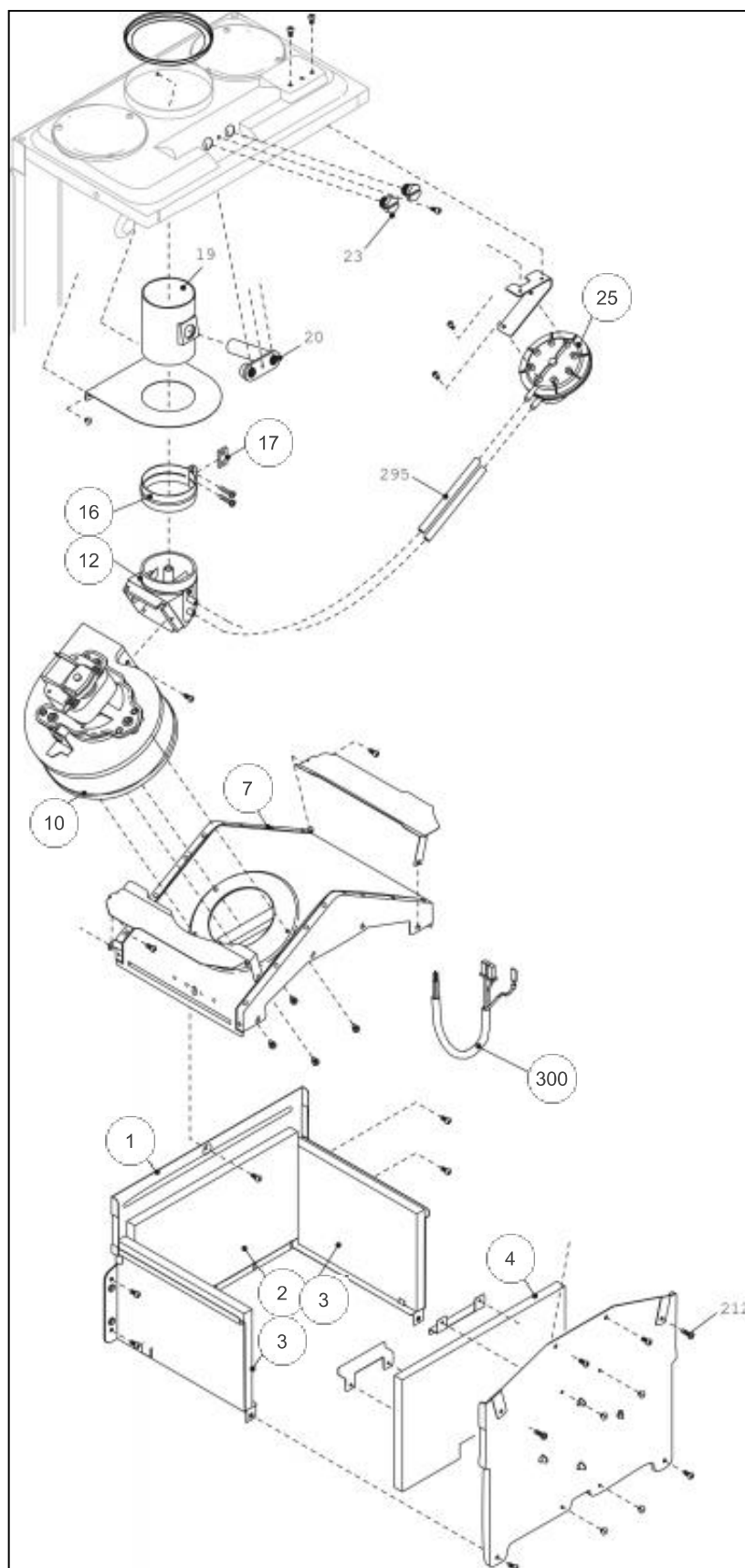
## Références

Repère	Libellé	C
1	VASE EXPANS	188225
2	TUY FL VASE CIAO3124	183027
3	CIRCULATEUR IDRA3000	109932
4	CABL CIRCUL IDRA3000	109107
7	TUY RET ECH IDRA3000	182243
8	ECHANGEUR28 O3228MBV	112520
9	TUYAU D/ECHIDRA3224V	182624
10	TUYAU DEP IDRA3228SV	182742
12	PURGEUR/DEGAZEUR	159425
28	CLIP F/CIRC IDRA3000	110323
200	JOINT 3/4PCE IDRA	142414
201	JOINT 1/2PCE IDRA	142416
202	JOINT SONDE IDRA E24	142674
285	SONDE NTC IDRA 3000	198733
287	THERM LIMIT	178960
288	JOINT IDRA	142667
290	CLIP F/VASE CIAO3124	110326



## Références

Repère	Libellé	C
3	CLIP F/CC IDRA3224V	110329
4	BRUL CPL GN O3228MBV	105932
5	ELECTRODE IDRA 3200	124387
12	TUYAU VANNE GAZ-BRUL	182239
13	VANNE GAZ IDRA3000	188163
14	TUYAU AR GAZIDRA3000	182241
15	BOBINE VAN SIT SIGMA	106124
16	FACE AV+VITIDRA3228V	132546
17	JOINT VITRE IDRA23SV	142405
18	VITRE IDRA23SV	188772
19	SUPP VITRE IDRA23SV	175035
21	JOINT C/AIR IDRA23SV	142406
46	DIAPHR D4,9IDR3228SV	120055
200	JOINT 3/4PCE IDRA	142414
300	CABL V/GAZ IDRA 3200	109296
301	CABL B/MOD IDRA 3200	109297

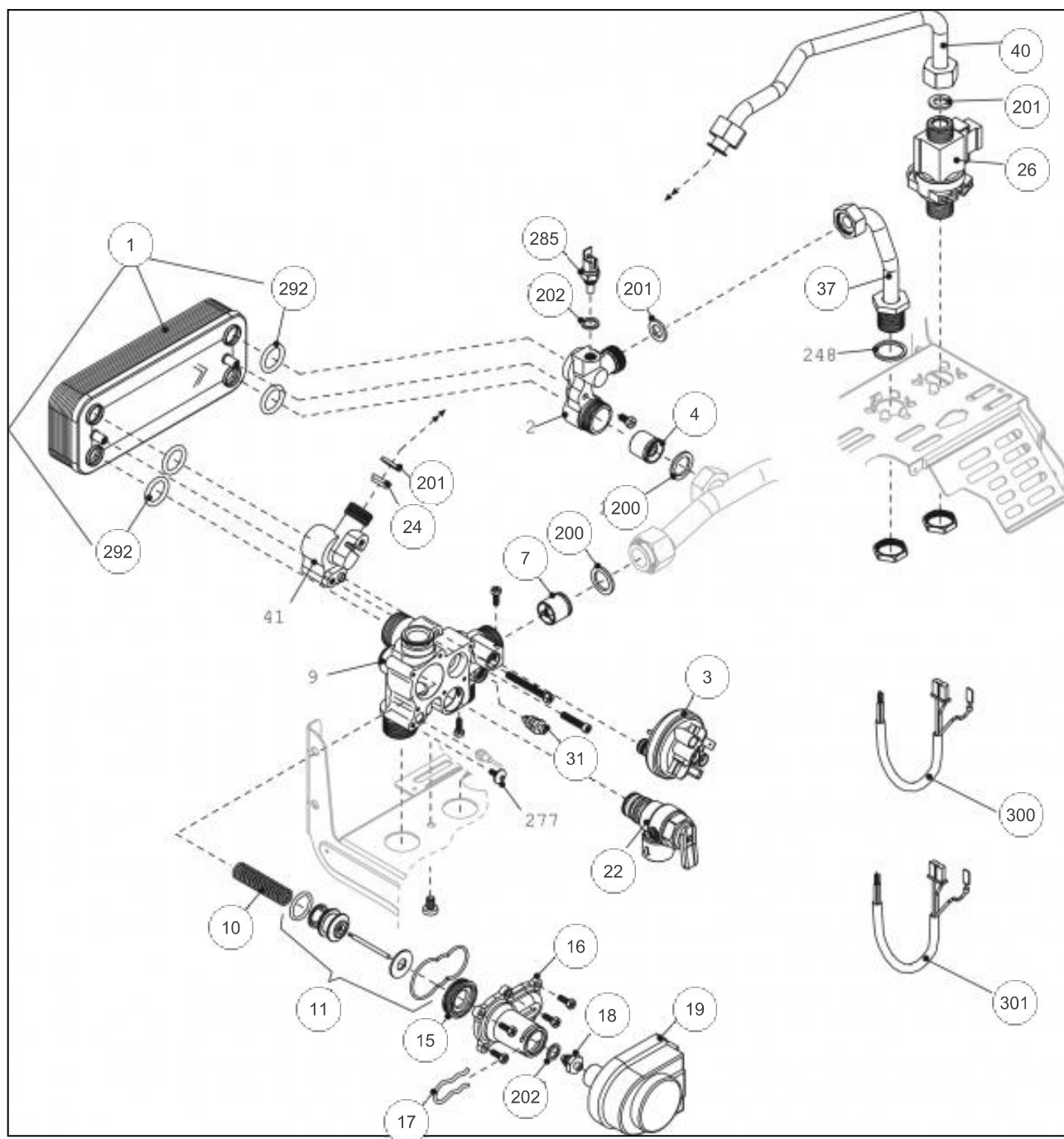


---

**Références**

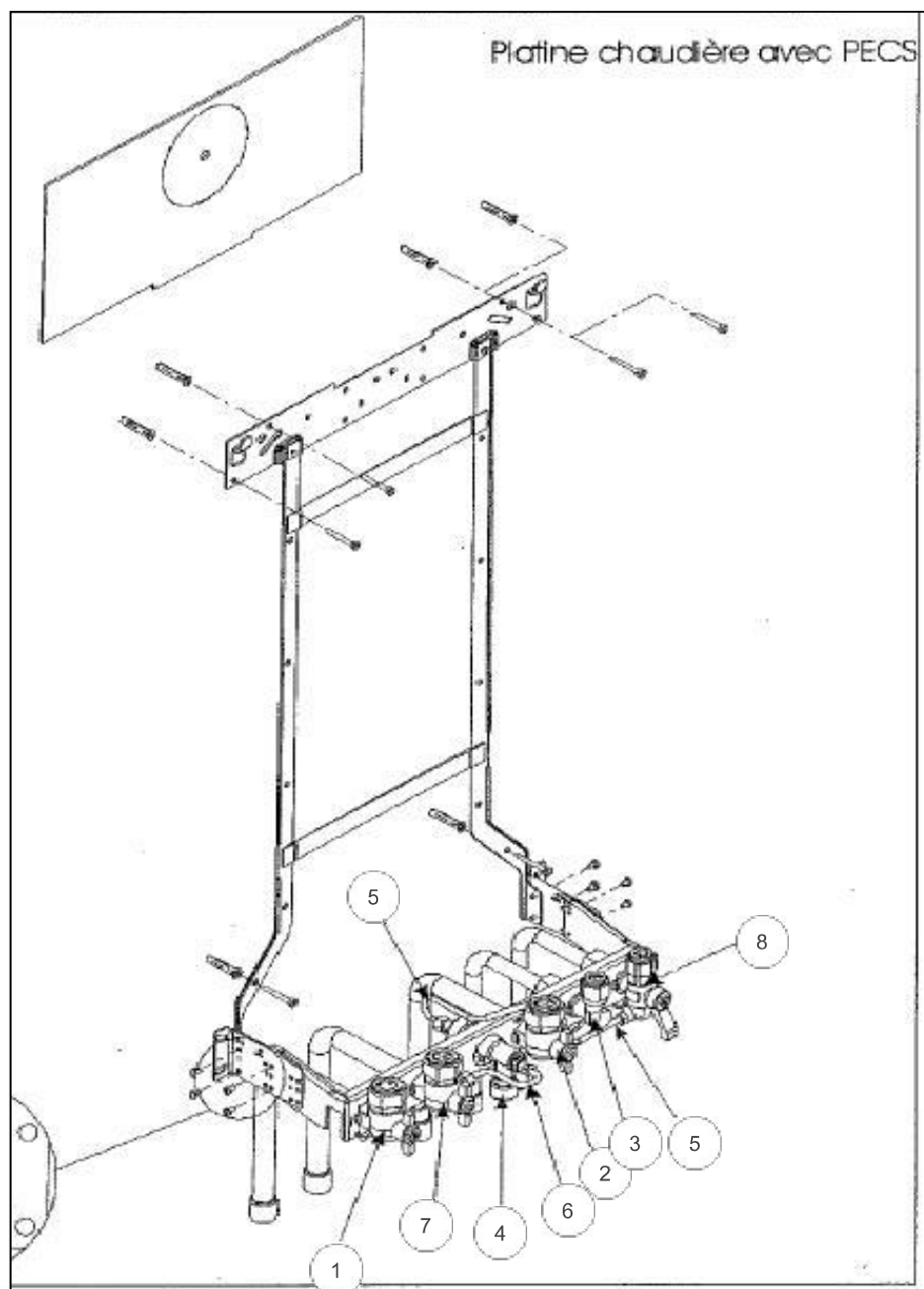
<b>Repère</b>	<b>Libellé</b>	<b>C</b>
1	CHAMBRE COMB IDRA28S	132527
2	PLAQ ISOL AR IDRA28S	157541
3	PLAQ ISOL L IDRA23S	167539
4	PLAQ ISOL FR IDRA28S	157540
7	DESSUS CHAMBRE COMBUSTION	132565
10	VENTILATEUR IDRA28SV	188516
12	CONDUIT VENTILATEUR	110749
16	COLL ETANCH IDRA23SV	110603
17	JOINT COLL IDRA23SV	142400
25	PRESSOS FUM CIAO3124	159729
300	CAB E/COMB IDRA3224V	109293





## Références

Repère	Libellé	C
1	PREPAR SAN IDRAE28SI	161055
3	PRESSOS EAU CIAO3124	159728
4	CLAPET ISOL IDRA3000	110109
7	CLAPET ISOL	110111
10	RESS OBTURAT IDRA24S	166050
11	POCH REF VD IDRA3224	143023
15	BAGUE IDRA24S	101805
16	COUVERCLE GP HYDRAUL	111449
17	CLIP F/MOT IDRA 3000	110322
18	PRES/ET COLL IDRA24S	122638
19	MOTEUR V/D IDRA 3000	150310
22	SOUPAPE SEC IDRA3000	174419
24	LIMIT DEB IDRA 3028S	146307
26	DETECTEUR	119437
31	ROBINET VID IDRA3224	166707
37	TUYAU D/SANIDRA3224S	182647
40	TUYAU EAU/FIDRA3224S	182648
200	JOINT 3/4PCE IDRA	142414
201	JOINT 1/2PCE IDRA	142416
202	JOINT SONDE IDRA E24	142674
285	SONDE NTC IDRA 3000	198733
292	JOINT PREP IDRA E24S	142669
300	CAB E/HYDR IDRA3224S	109292
301	CAB MOT/VAN IDRA3000	109111



---

**Références**

<b>Repère</b>	<b>Libellé</b>	<b>C</b>
1	VANNE ARRET IDRA3000	188164
2	ROBINET GAZ IDRA3000	188166
3	COUDE EAU/C IDRA3000	111154
4	DISCONNECT IDRA 3000	119524
5	TUYAU DISC IDRA 3000	182586
6	TUYAU DISC IDRA 3000	182587
7	VANNE ARRET IDRA3000	188165
8	ROBINET EF IDRA 3000	188167