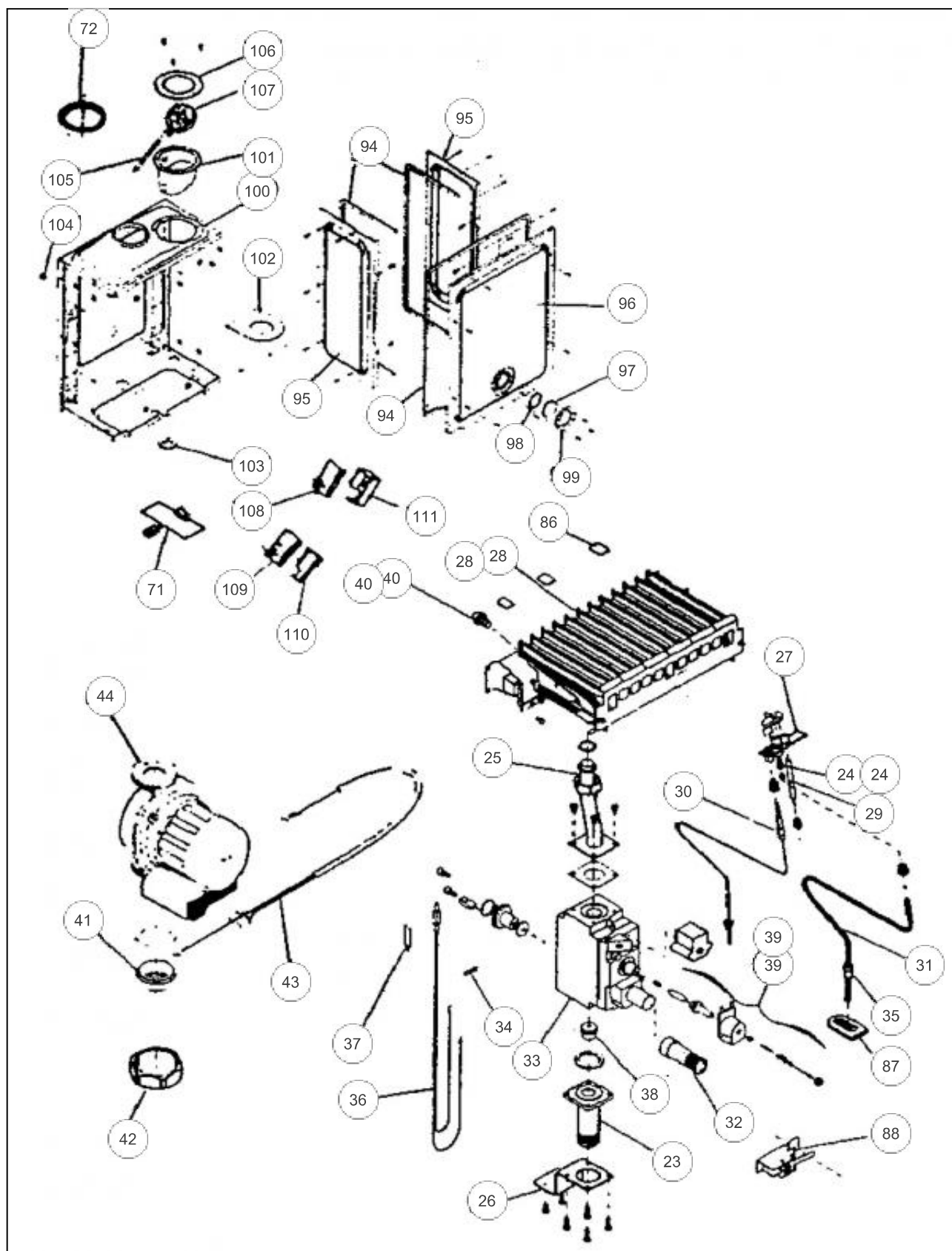


Références

Repère	Libellé	C
1	VASE EXPANS IDRA23S	188213
2	EQ/F VAS EXP IDRA23S	124510
3	CADRE SUPPORTIDRA23S	109366
4	TUY VASE EXP IDRA23S	182462
47	THERM SANIT IDRA23S	178921
48	THERM CHAUFF IDRA23S	178922
49	SELECT CHAUF IDRA23S	139232
50	PANNEAU BASC IDRA23S	160159
51	SUP T-BORD D IDRA23S	175026
52	THERMOMETRE IDRA23S	178614
53	MANOMETRE IDRA23S	149955
54	MANET THERM IDRA23S	149844
55	RESSORT PORT IDRA23S	166048
56	INTERFACE IDRA23SV	158364
57	INTERRUP M-A IDRA23S	139233
58	CACHE REGUL IDRA23S	109382
61	COUV PLATINE Art:109383	109383
63	SUP T-BORD G IDRA23S	175027
65	SUPPL P/BASC IDRA23S	175106
66	ECUSSON IDRA23S	122821
67	TAB BORD NU IDRA23SV	177057
91	INTERF ALL IDRA23SV	158365
92	CABLE ELECT IDRA23SV	109173
93	CACHE IDRA23SV	109384
113	PROTECT DEFL 8712901	160304

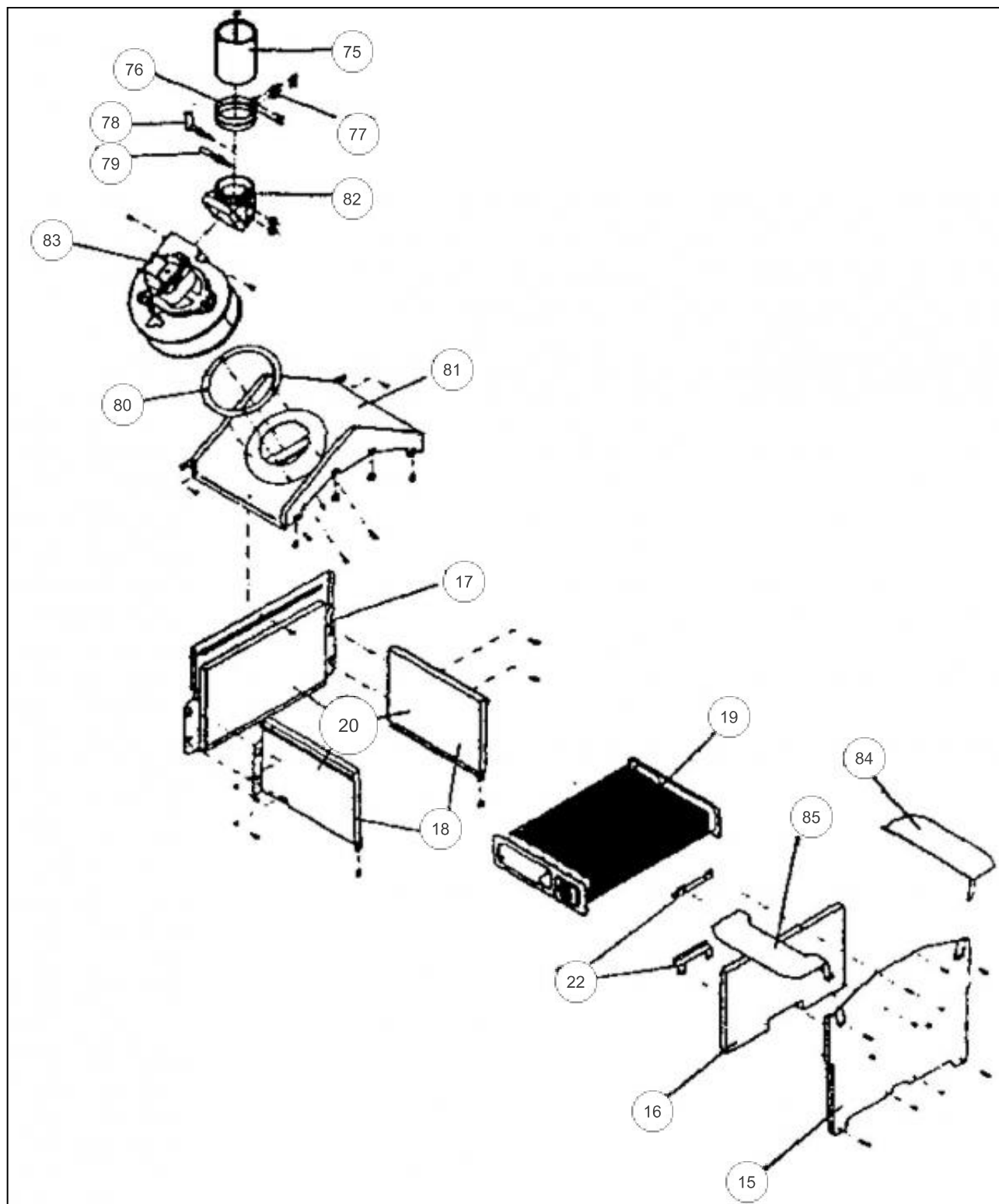


Références

Repère	Libellé	C
23	TUY AL/B-GAZ IDRA23S	182671
24	INJ VEILL GN IDRA23S	139521
24	INJ VEILL PR IDRA23S	139530
25	TUY B-GAZ/BR IDRA23S	182672
26	EQ/FIX B-GAZ IDRA23S	124511
27	VEILLEUSE IDRA23S	188309
28	BRULEUR GN IDRA28S	105359
28	BRULEUR PR IDRA28S	105360
29	ELECTRODE 9522101	124341
30	THERMOCOUPLE IDRA23S	179218
31	TUYAUT VEIL IDRA28SV	182681
32	MANET C/B-GAZIDRA23S	149845
33	VANNE GAZ IDRA 23S	188124
34	MANCHON ISOL IDRA23S	149203
35	RACC BL-VEIL IDRA23S	164324
36	THERM SECU IDRA23S	178923
37	CLIP/F THERM IDRA23S	110313
38	DIAPHRAGME IDRA28S	120019
39	BOBINE MOD IDRA23SP	106111
39	BOBINE MODUL IDRA23S	106108
40	INJ BRUL PR IDRA23S	139531
40	INJ BRUL GN IDRA23S	139522
41	RACC CIRCUL Art:164323	164323
42	ECROU CIRCUL IDRA23S	164325
43	CABLE CIRCUL IDRA23S	109167
44	CIRCULATEUR IDRA	109923
71	RESIST VENT IDRA28SV	165922
72	BRIDE AIR IDRA23SV	107506
86	PLAQUE BRUL IDRA23SV	159993
87	JOINT TUY/V IDRA23SV	142404
88	MICROSWIT2C IDRA23SV	150107
94	JOINT C/AIR IDRA23SV	142406
95	COTE C/AIR IDRA23SV	110733
96	FAC AV C/AIRIDRA23SV	110734

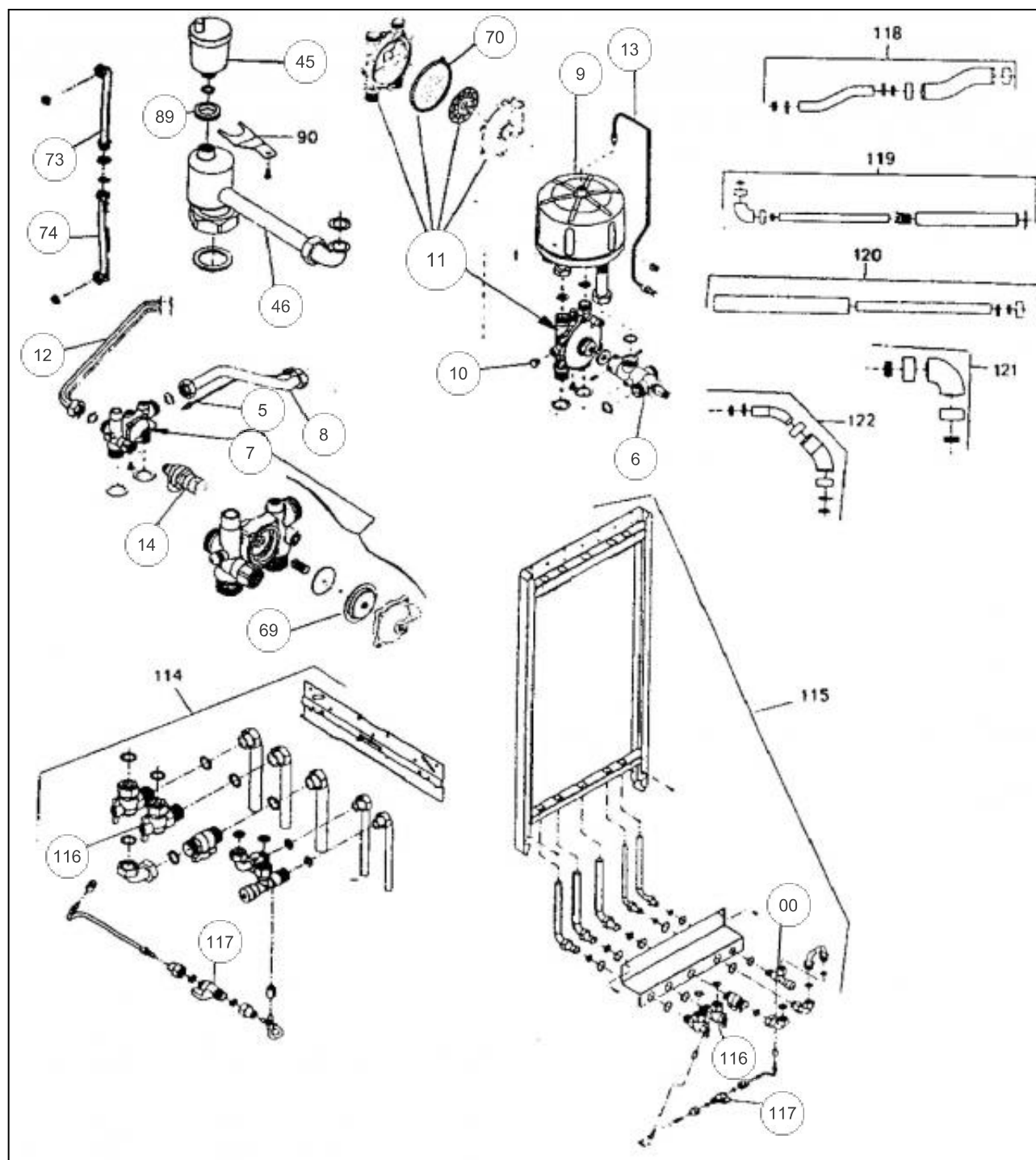
Références

Repère	Libellé	C
97	VITRE IDRA23SV	188772
98	JOINT VITRE IDRA23SV	142405
99	SUPP VITRE IDRA23SV	175035
100	CONDUIT AIR IDRA28SV	110740
101	SUPP PRESS IDRA23SV	175036
102	DEFLECT BR IDRA23SV	119256
103	JOINT IDRA	142407
104	PASSE FIL IDRA23SV	157309
105	TUBE SILIC IDRA23SV	183106
106	COUV C/AIR IDRA23SV	110735
107	PRESSOS FUM IDRA23SV	159715
108	MICROSWIT 3C IDRA23S	150103
109	MICROSWIT SC IDRA23S	150104
110	COUV MICRO1C IDRA23S	150105
111	COUV MICRO3C IDRA23S	150106



Références

Repère	Libellé	C
15	FACE AV CH IDRA28SV	132532
16	PLAQ ISOL FR IDRA28S	157540
17	PLAQ ISOL AR IDRA28S	157541
18	PLAQ ISOL L IDRA23S	167539
19	ECHANGEUR IDRA28S	112384
20	CHAMBRE COMB IDRA28S	132527
22	EQUER FAC AV IDRA23S	124512
75	TUBE FUMEEES IDRA23SV	182018
76	COLL ETANCH IDRA23SV	110603
77	JOINT COLL IDRA23SV	142400
78	PRISE PRESS IDRA23SV	159804
79	PRISE DEPR IDRA23SV	159805
80	JOINT VENT IDRA23SV	142403
81	DES CH COMB IDRA28SV	132533
82	COND VENTIL IDRA28SV	110739
83	VENTILATEUR IDRA28SV	188516
84	DEFLECT DR IDRA28SV	119260
85	DEFLECT GCE IDRA28SV	119261



Références

Repère	Libellé	C
00	ROBINET EAU FR IDRA	188131
5	TUYAU BYPASS IDRA23S	182463
6	VALVE DISTR IDRA23S	188141
7	SOUPAPE DIFF IDRA23S	174411
8	TUY DEP VALV IDRA23S	182464
9	PREPAR SANIT IDRA28S	161052
10	BOUCHON 1/8P IDRA23S	104826
11	COLLEC SANIT IDRA23S	110474
12	TUY SORT PREPIDRA23S	182465
13	PURG PREP+TUYIDRA23S	159417
14	SOUPAPE SECU IDRA23S	174412
45	PURGEUR AUTO IDRA23S	159418
46	TUY RETOUR IDRA23SV	182469
69	MEMBRANE S/D IDRA23S	149970
70	MEMBRANE C/S IDRA23S	149971
73	TUY ECHANG IDRA28SV	182483
74	TUY DEPART IDRA28SV	182484
89	CLAPET ISOL IDRA23SV	110106
116	VANNE ARRET D-C IDRA	188118
117	ROBINET REMPLIS IDRA	166706