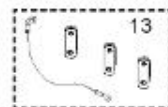
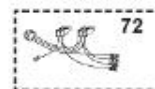
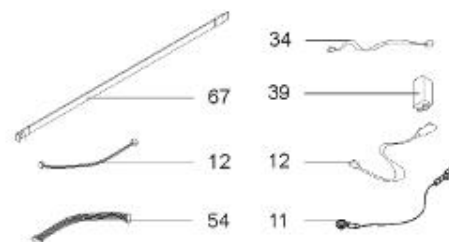
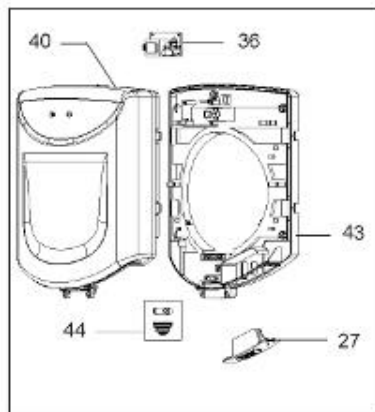
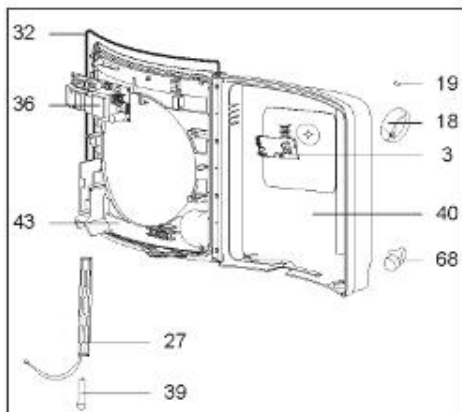
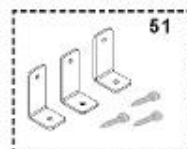
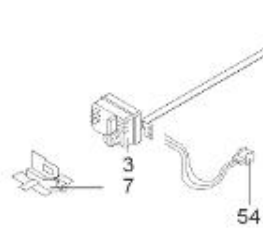
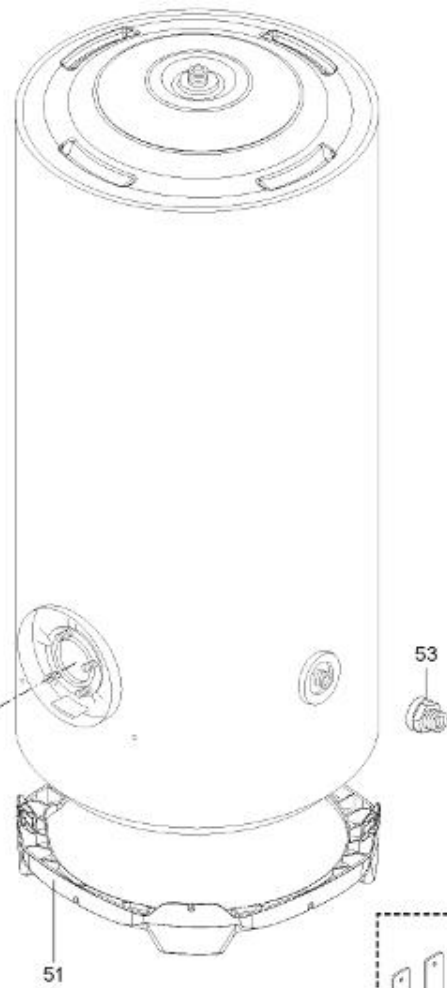
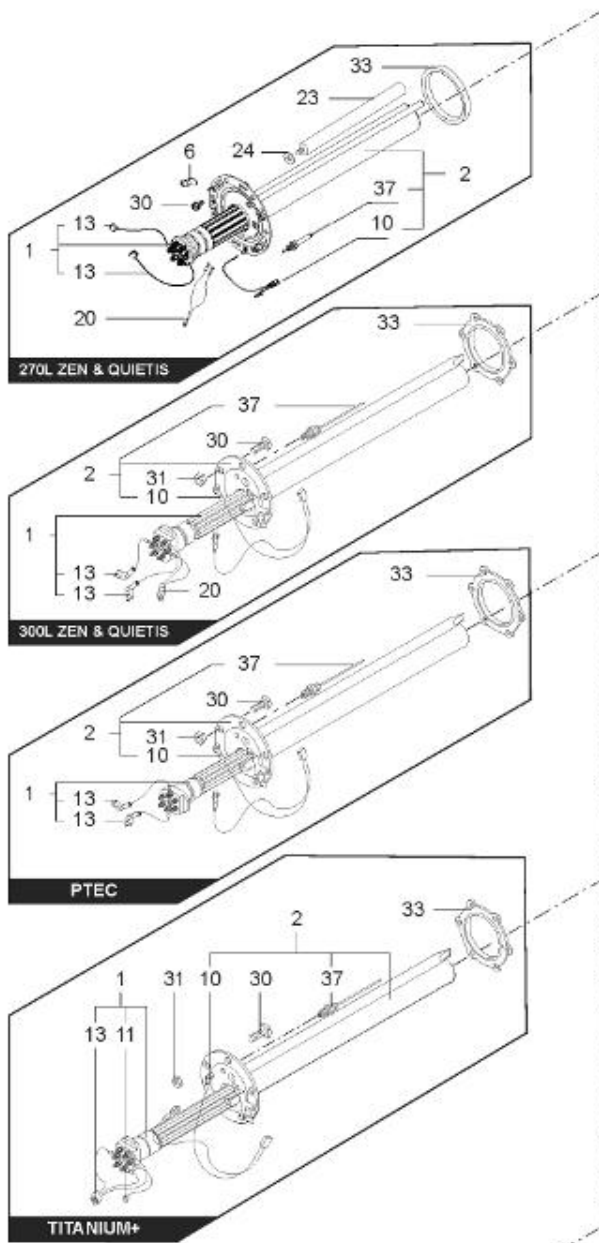




LISTE DE PIECES

14/04/2016

| | |
|----------------|---------------------------------------|
| <i>Produit</i> | 3060368 - ARI 270 STAB 570 QUIE MT EU |
| <i>Modèle</i> | 270L STABLE STEATITE |
| <i>Marque</i> | ARISTON |
| <i>Date</i> | 23/11/2015 |



| Table | | STABLE | | | | | | | |
|-------|-------------|--------|----------------------------------------|--------------|------------|----------|-------------------|--------------------------|--|
| Rep. | Référence | ALIAS | Désignation | Remplacé par | Date début | Date fin | Multiple de vente | Tarif Public Unitaire HT | |
| 1 | 60000059-01 | | RESISTANCE STEATITE 3000W D.50 | | | | 1 | | |
| 2 | 60002293 | | EMBASE + ANODE PROTECH | | | | 1 | | |
| 3 | 60002710 | | THERMOSTAT A CANNE L:450 (FASTON) | | | | 1 | | |
| 6 | 60072531 | | PATTE DE FIXATION | | | | 1 | | |
| 10 | 60001108-01 | | CABLAGE ELECTRODE > C.I. | | | | 1 | | |
| 11 | 60002273 | | CABLAGE DE MASSE | | | | 1 | | |
| 12 | 60002704 | | CABLAGE BATTERIE | | | | 1 | | |
| 13 | 61401780 | | CABLAGE (VERT) | | | | 1 | | |
| 13 | 61401779 | | CABLAGE (BRUN) | | | | 1 | | |
| 13 | 61401781 | | CABLAGE (VIOLET) | | | | 1 | | |
| 20 | 60000802 | | LAMPE TEMOIN | | | | 1 | | |
| 23 | 65102462 | | ANODE D:25.5 L:380 M8 | | | | 1 | | |
| 24 | 61306237 | | JOINT ANODE | | | | 1 | | |
| 27 | 60002707 | | PORTE BATTERIE | | | | 1 | | |
| 30 | 60000681 | | VIS DE FIXATION EMBASE M 8-14 (6 PCES) | | | | 1 | | |
| 33 | 60000682 | | JOINT BRIDE D:121.7-105-11.5 | | | | 1 | | |
| 34 | 60000475 | | CABLAGE ELECTRODE > C.I. | | | | 1 | | |
| 36 | 60002585 | | CIRCUIT IMPRIME (3 mA) | | | | 1 | | |
| 37 | 65109749 | | ANODE PROTECH | | | | 1 | | |
| 39 | 925298 | | BATTERIE 9V-170 MAH | | | | 1 | | |
| 40 | 60002705 | | COUVERCLE BOITIER | | | | 1 | | |
| 43 | 60002706 | | FOND DE BOITIER | | | | 1 | | |
| 44 | 60002702 | | SUPPORT PASSE-CABLE | | | | 1 | | |
| 51 | 60002411 | | SUPPORT D:570 | | 03/15 | | 1 | | |
| 53 | 926195 | | RACCORDS DIELECTRI. 3/4-75 A 300L KIT | | | | 1 | | |
| 72 | 60002711 | | CABLAGE PUISSANCE | | | | 1 | | |