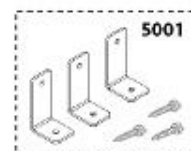
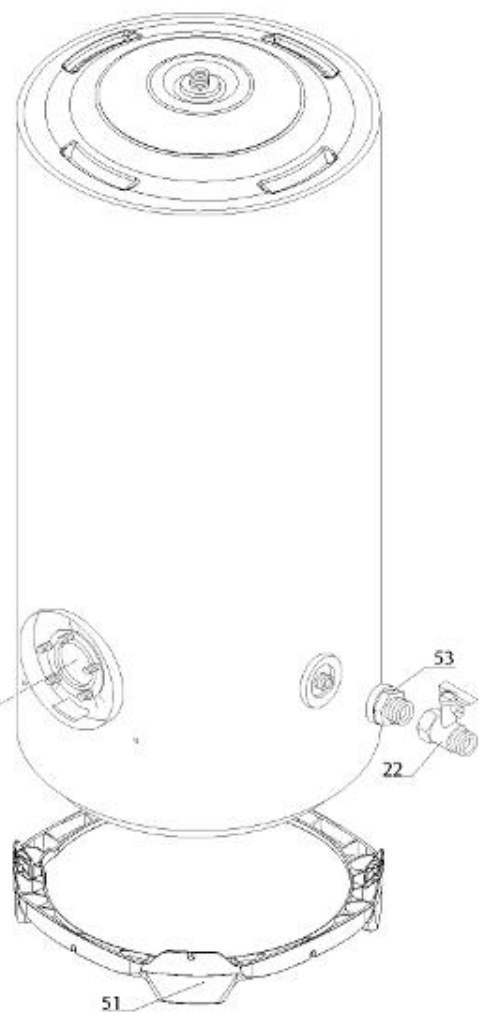
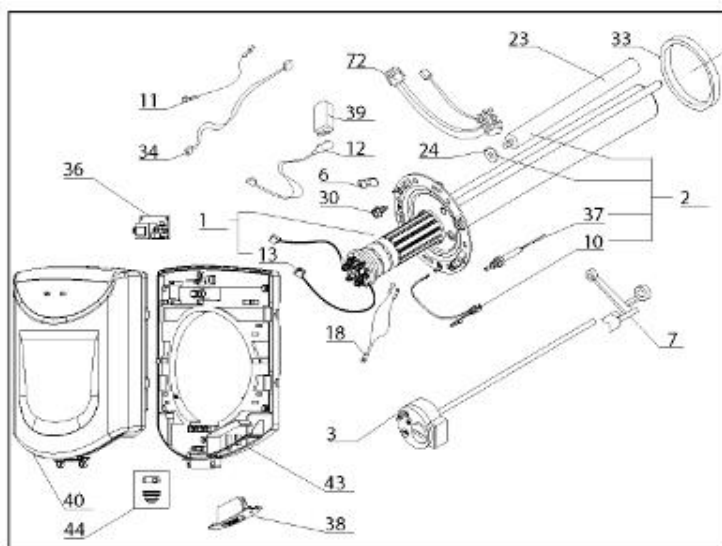
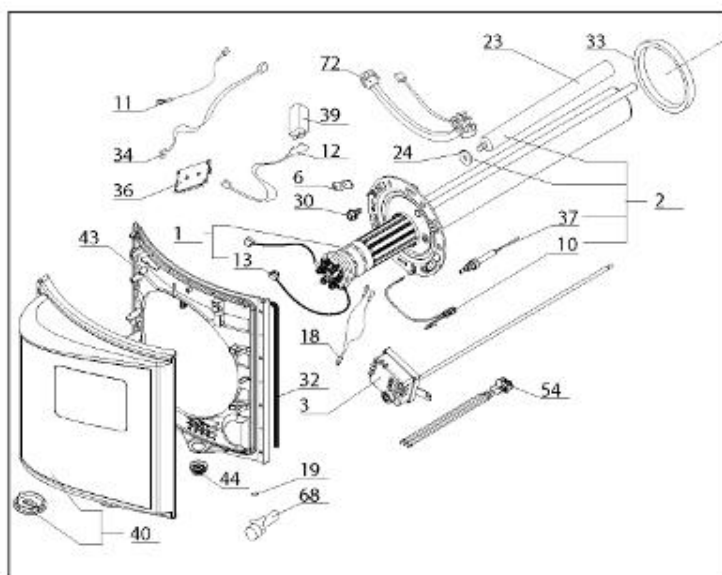
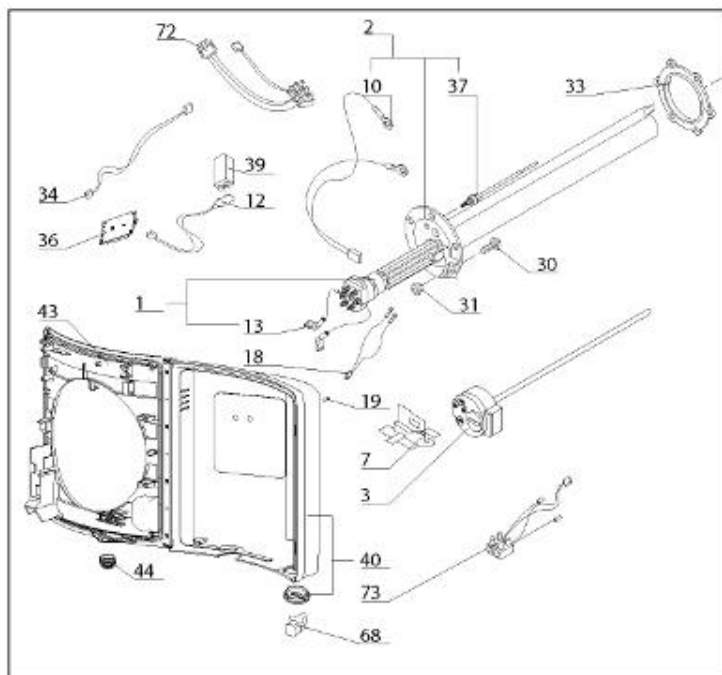




*LISTE DE PIECES*

14/04/2016

|                |                                      |
|----------------|--------------------------------------|
| <i>Produit</i> | 3060359 - ARI 270 STAB 570 HPC MO EU |
| <i>Modèle</i>  | 270L STABLE STEATITE                 |
| <i>Marque</i>  | ARISTON                              |
| <i>Date</i>    | 08/12/2015                           |



| Table |             | HPC   |  |              |            |          |                   |                          |  |
|-------|-------------|-------|--|--------------|------------|----------|-------------------|--------------------------|--|
| Rep.  | Référence   | ALIAS | Désignation                            | Remplacé par | Date début | Date fin | Multiple de vente | Tarif Public Unitaire HT |  |
| 1     | 60000059-01 |       | RESISTANCE STEATITE 3000W D.50         |              | 08/14      |          | 1                 |                          |  |
| 2     | 60002293    |       | EMBASE + ANODE PROTECH                 |              | 08/14      |          | 1                 |                          |  |
| 3     | 60001544    |       | THERMOSTAT A CANNE L:450               |              |            |          | 1                 |                          |  |
| 6     | 60072531    |       | PATTE DE FIXATION                      |              | 08/14      |          | 1                 |                          |  |
| 7     | 60001560    |       | SUPPORT THERMOSTAT                     |              |            |          | 1                 |                          |  |
| 10    | 60001108-01 |       | CABLAGE ELECTRODE > C.I.               |              | 08/14      |          | 1                 |                          |  |
| 11    | 60002273    |       | CABLAGE DE MASSE                       |              | 08/14      |          | 1                 |                          |  |
| 12    | 60002704    |       | CABLAGE BATTERIE                       |              |            |          | 1                 |                          |  |
| 13    | 61401780    |       | CABLAGE (VERT)                         |              |            |          | 1                 |                          |  |
| 13    | 61401779    |       | CABLAGE (BRUN)                         |              |            |          | 1                 |                          |  |
| 13    | 61401781    |       | CABLAGE (VIOLET)                       |              |            |          | 1                 |                          |  |
| 18    | 60000802    |       | LAMPE TEMOIN                           |              |            |          | 1                 |                          |  |
| 23    | 65102462    |       | ANODE D:25.5 L:380 M8                  |              | 08/14      |          | 1                 |                          |  |
| 24    | 61306237    |       | JOINT ANODE                            |              |            |          | 1                 |                          |  |
| 30    | 60000681    |       | VIS DE FIXATION EMBASE M 8-14 (6 PCES) |              | 08/14      |          | 1                 |                          |  |
| 33    | 60000682    |       | JOINT BRIDE D:121.7-105-11.5           |              | 08/14      |          | 1                 |                          |  |
| 34    | 60000475    |       | CABLAGE ELECTRODE > C.I.               |              |            |          | 1                 |                          |  |
| 36    | 60002584    |       | CIRCUIT IMPRIME (3 mA)                 |              |            |          | 1                 |                          |  |
| 37    | 65109749    |       | ANODE PROTECH                          |              | 08/14      |          | 1                 |                          |  |
| 38    | 60002707    |       | PORTE BATTERIE                         |              |            |          | 1                 |                          |  |
| 39    | 925298      |       | BATTERIE 9V-170 MAH                    |              |            |          | 1                 |                          |  |
| 40    | 60002705    |       | COUVERCLE BOITIER                      |              |            |          | 1                 |                          |  |
| 43    | 60002706    |       | FOND DE BOITIER                        |              |            |          | 1                 |                          |  |
| 44    | 60002702    |       | SUPPORT PASSE-CABLE                    |              |            |          | 1                 |                          |  |
| 51    | 60002411    |       | SUPPORT D:570                          |              |            |          | 1                 |                          |  |
| 53    | 926195      |       | RACCORDS DIELECTRI. 3/4-75 A 300L KIT  |              |            |          | 1                 |                          |  |
| 72    | 60002708    |       | CABLAGE PUISSANCE                      |              |            |          | 1                 |                          |  |
| 5001  | 60002299    |       | KIT DE FIXATION                        |              |            |          | 1                 |                          |  |