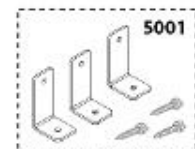
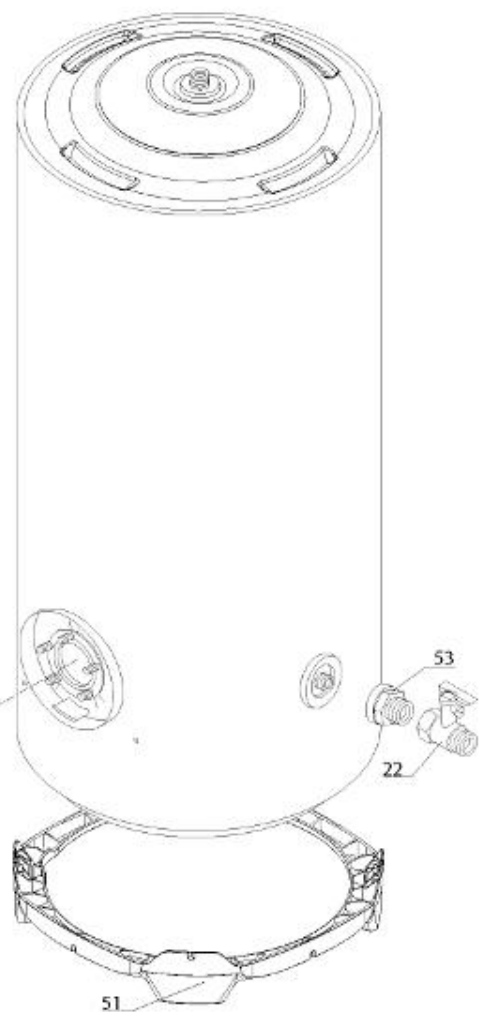
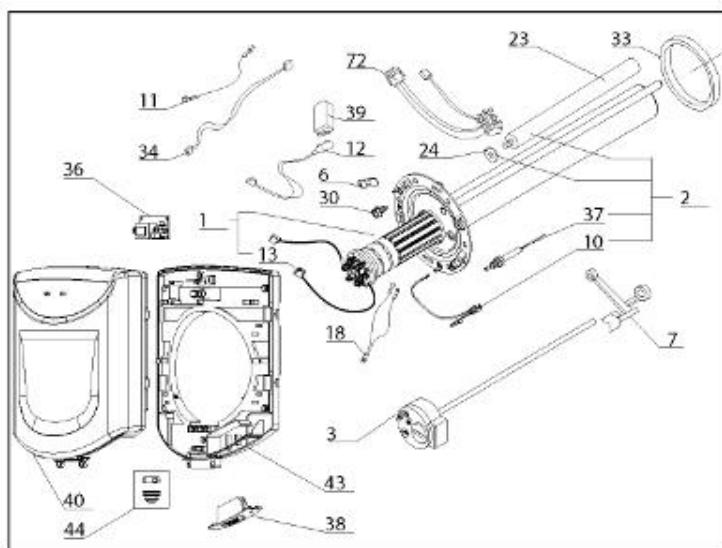
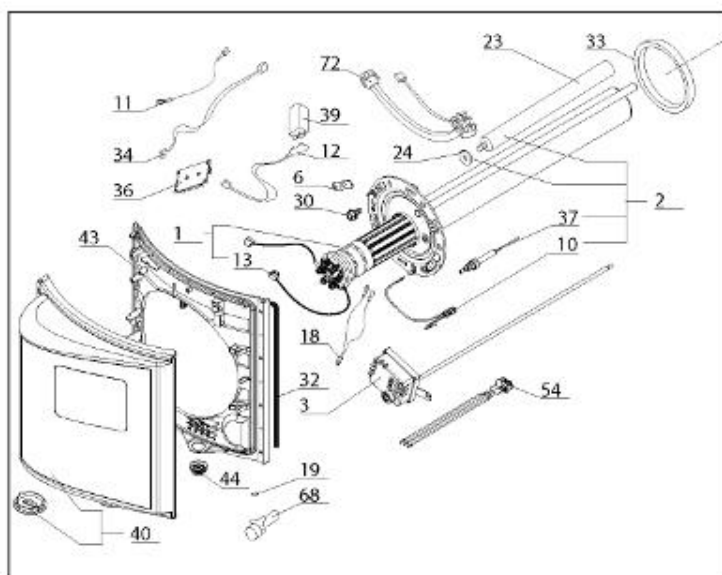
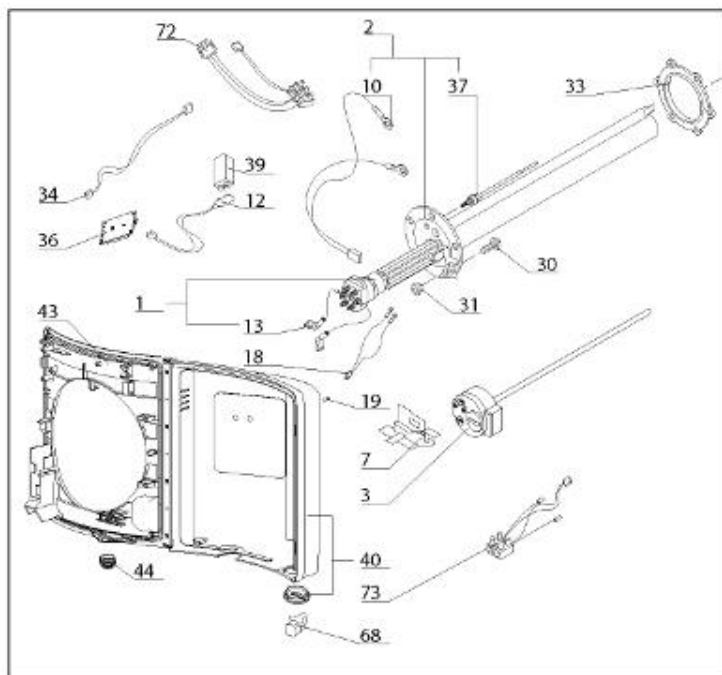




LISTE DE PIECES

14/04/2016

| | |
|----------------|-----------------------------------|
| <i>Produit</i> | 3010506 - ARI 250 STAB 560 HPC MO |
| <i>Modèle</i> | 250L STABLE STEATITE |
| <i>Marque</i> | ARISTON |
| <i>Date</i> | 08/12/2015 |



| Table | | HPC | | | | | | | |
|-------|-----------|-------|---------------------------------------|--------------|------------|----------|-------------------|--------------------------|--|
| Rep. | Référence | ALIAS | Désignation | Remplacé par | Date début | Date fin | Multiple de vente | Tarif Public Unitaire HT | |
| 1 | 396010-01 | | RESISTANCE STEATITE 3000W D.39 | | | 08/14 | 1 | | |
| 2 | 60000440 | | EMBASE + ANODE | | | 08/14 | 1 | | |
| 3 | 60001544 | | THERMOSTAT A CANNE L:450 | | | 08/14 | 1 | | |
| 7 | 926324 | | SEPARATEUR PLASTIQUE | | | | 1 | | |
| 10 | 60000344 | | CABLAGE ELECTRODE | | | 08/14 | 1 | | |
| 12 | 60000938 | | CABLAGE BATTERIE | | | | 1 | | |
| 13 | 61401780 | | CABLAGE (VERT) | | | | 1 | | |
| 13 | 61401779 | | CABLAGE (BRUN) | | | | 1 | | |
| 18 | 60000802 | | LAMPE TEMOIN | | | | 1 | | |
| 19 | 998577 | | VITRE LED L=14.2 | | | 08/14 | 1 | | |
| 30 | 918064 | | VIS DE FIXATION EMBASE M 8-20 | | | 08/14 | 1 | | |
| 31 | 918004 | | ECROU FIXATION EMBASE M8 | | | 08/14 | 1 | | |
| 33 | 924001 | | JOINT BRIDE 5 TROUS D.75 | | | 08/14 | 1 | | |
| 34 | 60000939 | | CABLAGE ELECTRODE > C.I. | | | | 1 | | |
| 36 | 60000384 | | CIRCUIT IMPRIME (6 mA) | | | 08/14 | 1 | | |
| 37 | 340406 | | ANODE PROTECH | | | 08/14 | 1 | | |
| 39 | 925298 | | BATTERIE 9V-170 MAH | | | | 1 | | |
| 40 | 60000940 | | COUVERCLE BOITIER | | | 08/14 | 1 | | |
| 43 | 60000513 | | FOND DE BOITIER | | | | 1 | | |
| 51 | 60000803 | | SUPPORT D:505-560 | | | | 1 | | |
| 53 | 926195 | | RACCORDS DIELECTRI. 3/4-75 A 300L KIT | | | | 1 | | |
| 68 | 60000958 | | VOYANT ORANGE | | | 08/14 | 1 | | |
| 73 | 60001563 | | CABLAGE D'ALIMENTATION | | | 08/14 | 1 | | |