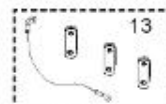
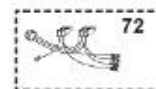
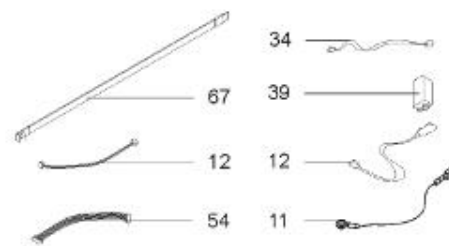
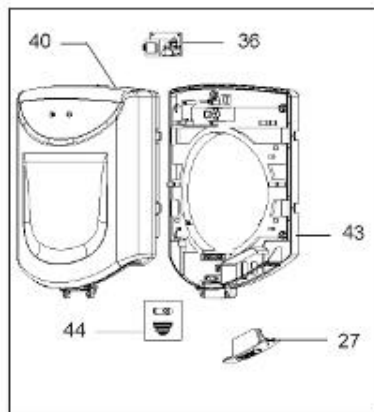
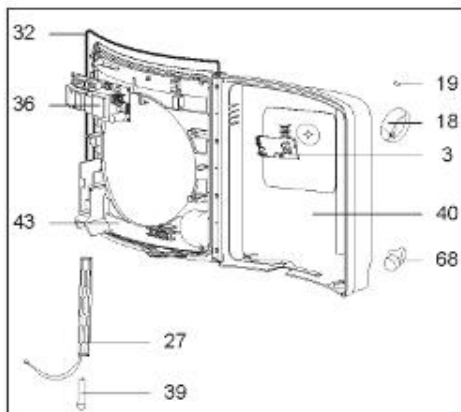
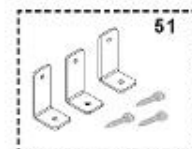
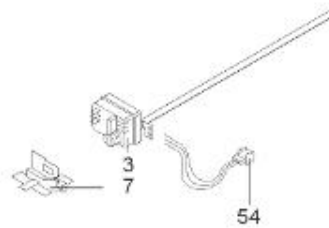
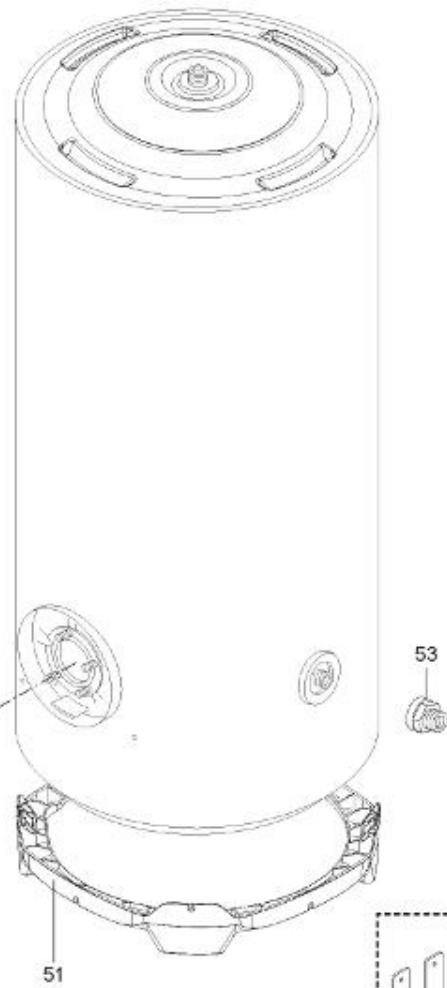
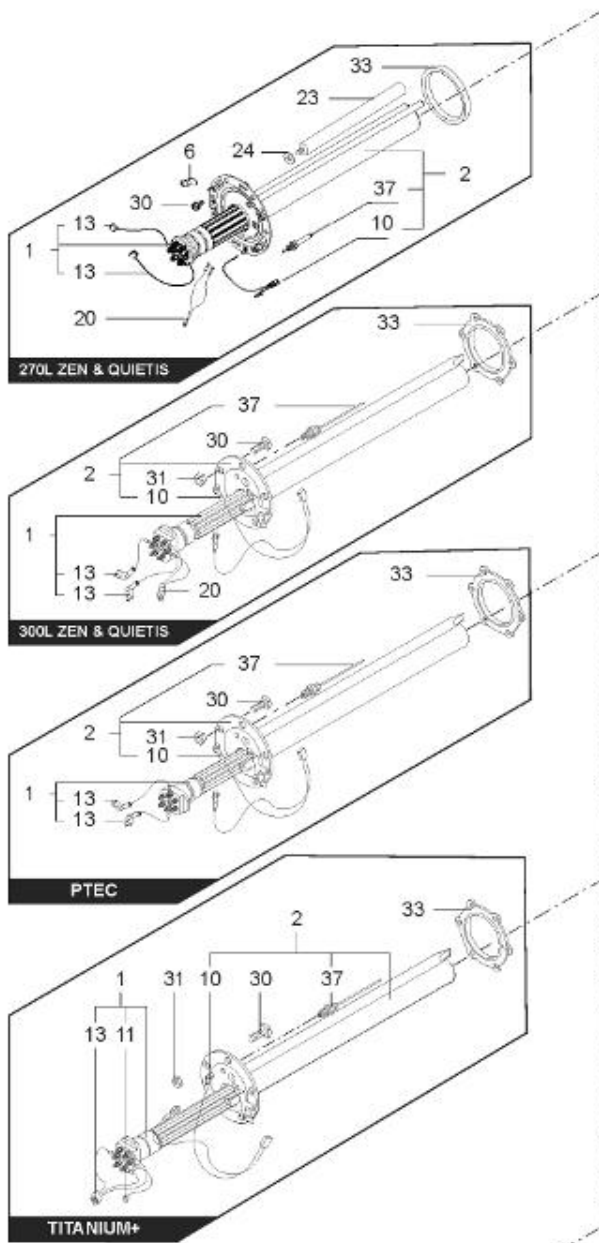




LISTE DE PIECES

13/04/2016

| | |
|----------------|------------------------------------|
| <i>Produit</i> | 3010192 - ARI 200 STAB 560 TIT+ MT |
| <i>Modèle</i> | 200L STABLE STEATITE |
| <i>Marque</i> | ARISTON |
| <i>Date</i> | 23/11/2015 |



| Table | | STABLE | | | | | | | |
|-------|-----------|--------|---------------------------------------|--------------|------------|----------|-------------------|--------------------------|--|
| Rep. | Référence | ALIAS | Désignation | Remplacé par | Date début | Date fin | Multiple de vente | Tarif Public Unitaire HT | |
| 1 | 396010-01 | | RESISTANCE STEATITE 3000W D.39 | | | | 1 | | |
| 2 | 60000440 | | EMBASE + ANODE | | | | 1 | | |
| 3 | 60000773 | | CIRCUIT IMPRIME DE REGULATION | | | | 1 | | |
| 10 | 60000344 | | CABLAGE ELECTRODE | | | | 1 | | |
| 11 | 60000449 | | CABLAGE RESISTANCE > C.I. | | | | 1 | | |
| 12 | 60000474 | | CABLAGE THERMISTANCE | | | | 1 | | |
| 13 | 60000450 | | CABLAGE RESISTANCE > C.I. | | | | 1 | | |
| 18 | 60000441 | | MOLETTE DE REGLAGE | | | | 1 | | |
| 19 | 998577 | | VITRE LED L=14.2 | | | | 1 | | |
| 27 | 60000514 | | PORTE BATTERIE | | | | 1 | | |
| 30 | 918064 | | VIS DE FIXATION EMBASE M 8-20 | | | | 1 | | |
| 31 | 918004 | | ECROU FIXATION EMBASE M8 | | | | 1 | | |
| 33 | 924001 | | JOINT BRIDE 5 TROUS D.75 | | | | 1 | | |
| 34 | 60000475 | | CABLAGE ELECTRODE > C.I. | | | | 1 | | |
| 36 | 60000442 | | CIRCUIT IMPRIME DE PUISSANCE | | | | 1 | | |
| 37 | 340406 | | ANODE PROTECH | | | | 1 | | |
| 39 | 60000443 | | BATTERIE AA | | | | 1 | | |
| 40 | 60000512 | | COUVERCLE BOITIER | | | | 1 | | |
| 43 | 60000513 | | FOND DE BOITIER | | | | 1 | | |
| 51 | 60000803 | | SUPPORT D:505-560 | | | | 1 | | |
| 53 | 926195 | | RACCORDS DIELECTRI. 3/4-75 A 300L KIT | | | | 1 | | |
| 54 | 60000504 | | CABLAGE INTERCONNEXION | | | | 1 | | |
| 67 | 60000446 | | THERMISTANCE | | | | 1 | | |
| 72 | 60000503 | | FAISCEAU DE CABLES | | | 12/09 | 1 | | |
| 72 | 60001501 | | FAISCEAU DE CABLES | | 12/09 | | 1 | | |