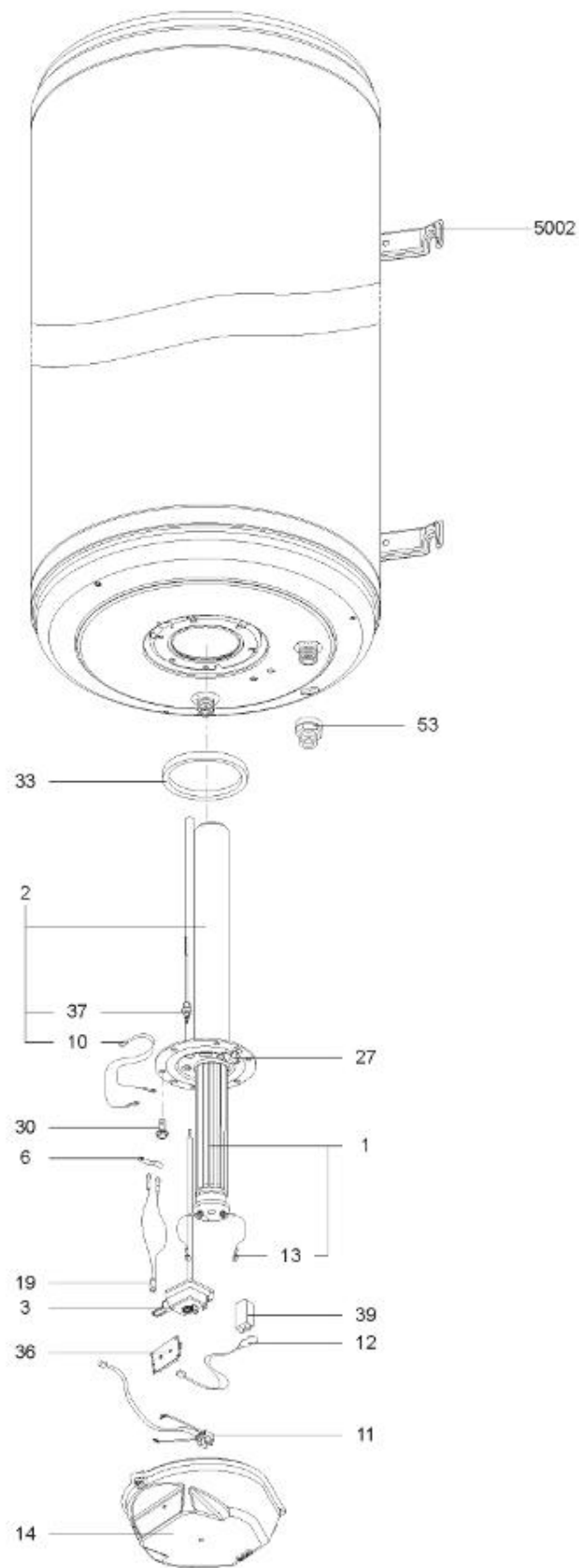




*LISTE DE PIECES*

12/04/2016

|                |                                       |
|----------------|---------------------------------------|
| <i>Produit</i> | 3000522 - ARI 150 VERT 560 QUIE MO EU |
| <i>Modèle</i>  | 150L VERTICAL STEATITE                |
| <i>Marque</i>  | ARISTON                               |
| <i>Date</i>    | 15/10/2015                            |



| Table |             | V 555 PROTECH |  |              |            |          |                   |                          |  |
|-------|-------------|---------------|--|--------------|------------|----------|-------------------|--------------------------|--|
| Rep.  | Référence   | ALIAS         | Désignation                            | Remplacé par | Date début | Date fin | Multiple de vente | Tarif Public Unitaire HT |  |
| 1     | 61400608-01 |               | RESISTANCE STEATITE 1800W D.50         |              |            |          | 1                 |                          |  |
| 2     | 60000765    |               | EMBASE + ANODE PROTECH                 |              |            |          | 1                 |                          |  |
| 3     | 691220      |               | THERMOSTAT EMBROCHABLE TBS L.450 230V  |              |            |          | 1                 |                          |  |
| 6     | 60072531    |               | PATTE DE FIXATION                      |              |            |          | 1                 |                          |  |
| 10    | 60000344    |               | CABLAGE ELECTRODE                      |              |            |          | 1                 |                          |  |
| 11    | 60000386    |               | CABLAGE BORNIER > THERMOSTAT           |              |            |          | 1                 |                          |  |
| 12    | 60000385    |               | CABLAGE BATTERIE                       |              |            |          | 1                 |                          |  |
| 13    | 60000187    |               | CABLAGE RESISTANCE > THERMOSTAT        |              |            |          | 1                 |                          |  |
| 14    | 60002572    |               | CAPOT                                  |              |            |          | 1                 |                          |  |
| 19    | 993025      |               | LAMPE TEMOIN                           |              |            |          | 1                 |                          |  |
| 27    | 60000383    |               | SUPPORT BORNIER                        |              |            |          | 1                 |                          |  |
| 30    | 60000681    |               | VIS DE FIXATION EMBASE M 8-14 (6 PCES) |              |            |          | 1                 |                          |  |
| 33    | 60000682    |               | JOINT BRIDE D:121.7-105-11.5           |              |            |          | 1                 |                          |  |
| 36    | 60002587    |               | CIRCUIT IMPRIME (6 mA)                 |              |            |          | 1                 |                          |  |
| 37    | 340406      |               | ANODE PROTECH                          |              |            |          | 1                 |                          |  |
| 39    | 925298      |               | BATTERIE 9V-170 MAH                    |              |            |          | 1                 |                          |  |
| 53    | 926195      |               | RACCORDS DIELECTRI. 3/4-75 A 300L KIT  |              |            |          | 1                 |                          |  |
| 5002  | 912006      |               | PATTE MURALE D:470-505-560             |              |            |          | 1                 |                          |  |