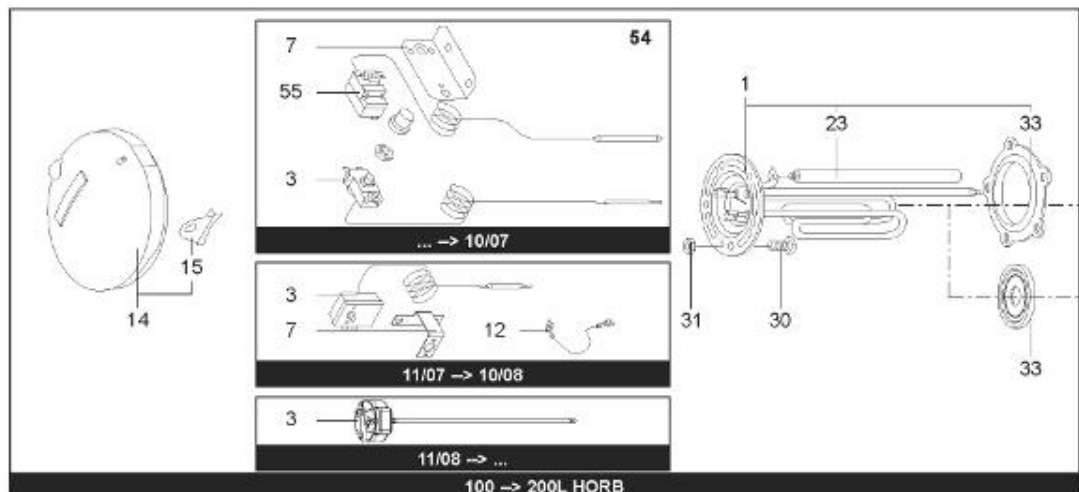
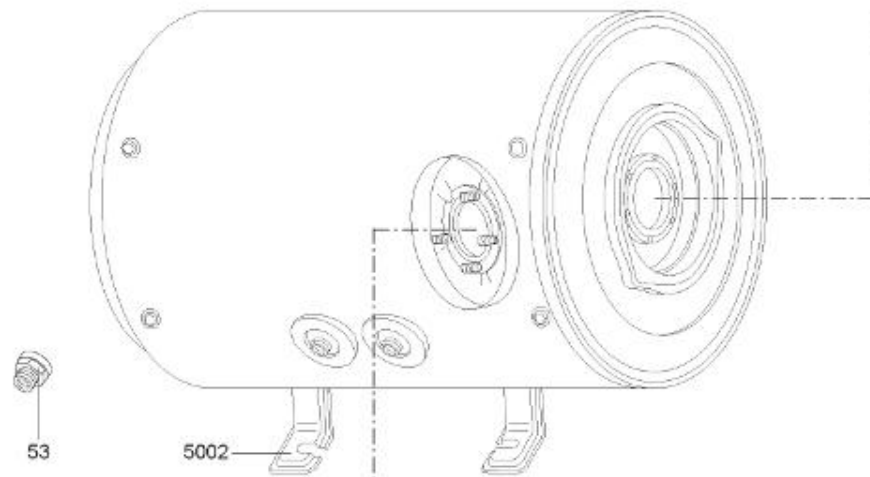
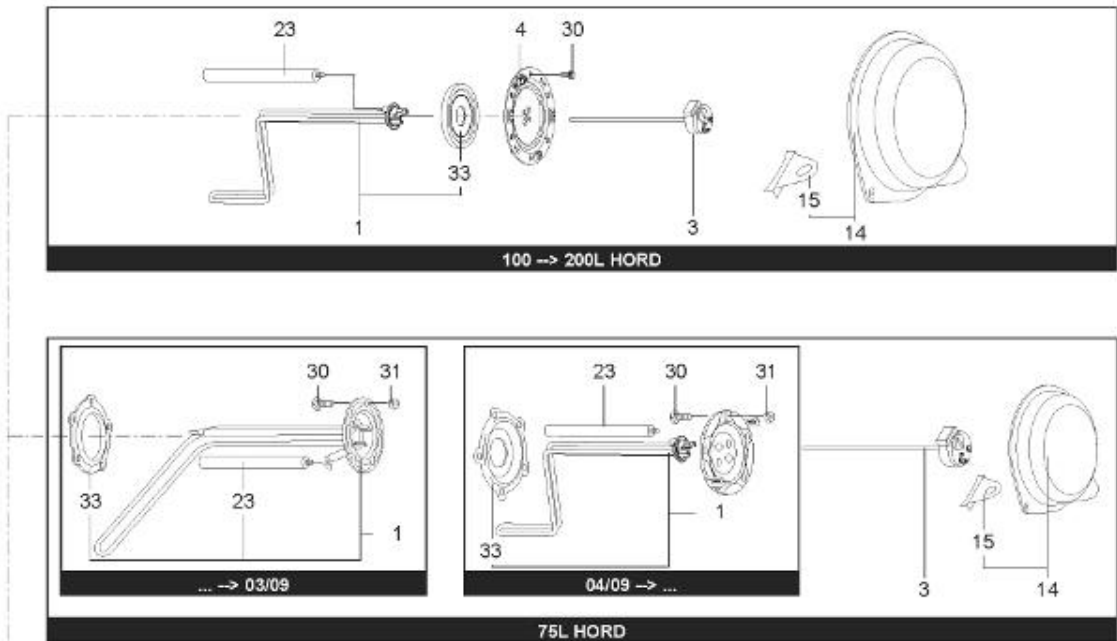




LISTE DE PIECES

11/04/2016

| | |
|----------------|------------------------------------|
| <i>Produit</i> | 3010208 - ARI 150 HORB 560 THER MO |
| <i>Modèle</i> | 150L HORIZONTAL BLINDEE |
| <i>Marque</i> | ARISTON |
| <i>Date</i> | 17/11/2015 |



| Table | | HORIZONTAL - TP | | | | | | | |
|-------|-----------|-----------------|--|--------------|------------|----------|-------------------|--------------------------|--|
| Rep. | Référence | ALIAS | Désignation | Remplacé par | Date début | Date fin | Multiple de vente | Tarif Public Unitaire HT | |
| 1 | 816127 | | RESISTANCE BLINDEE 2000W 230V D.75+ANO | | | 11/08 | 1 | | |
| 1 | 60001264 | | RESISTANCE BLINDEE 2000W 230V + ANODE | | 11/08 | | 1 | | |
| 3 | 921034 | | THERMOSTAT A BULBES | | | 11/07 | 1 | | |
| 3 | 60000954 | | THERMOSTAT A BULBES | | 11/07 | 11/08 | 1 | | |
| 3 | 60001263 | | THERMOSTAT A CANNE L:450 | | 11/08 | | 1 | | |
| 7 | 65101064 | | SUPPORT THERMOSTAT FIRT | | | 11/07 | 1 | | |
| 7 | 60000955 | | SUPPORT THERMOSTAT | | 11/07 | 11/08 | 1 | | |
| 12 | 925025 | | CABLAGE (BRUN) 2,5X160 (faston-faston) | | 11/07 | 11/08 | 1 | | |
| 14 | 926166 | | CAPOT BLANC | | | | 1 | | |
| 15 | 926124 | | SUPPORT PASSE-CABLE | | | | 1 | | |
| 23 | 993014-01 | | ANODE D:25,5 L:230 M5-M8 | | | | 1 | | |
| 30 | 918001 | | VIS M8X25 | | | | 1 | | |
| 30 | 918064 | | VIS DE FIXATION EMBASE M 8-20 | | | | 1 | | |
| 31 | 918004 | | ECROU FIXATION EMBASE M8 | | | | 1 | | |
| 33 | 924001 | | JOINT BRIDE 5 TROUS D.75 | | | | 1 | | |
| 54 | 925306 | | THERMOSTATS FIRT-CAEM ENS | | | 11/07 | 1 | | |
| 55 | 921036 | | THERMOSTAT FIRT | | | 11/07 | 1 | | |
| 5002 | 912006 | | PATTE MURALE D:470-505-560 | | | 10/07 | 1 | | |
| 5002 | 290280 | | SUPPORT MURAL | | 10/07 | | 1 | | |