

SPARE PARTS EXPLODED VIEW GAS WALL BOILERS

Model

PHOENIX GREEN

R8215256-08 - 27/04/2012

1	3310000	PHOENIX GREEN 27 (FR, BE, IT) MET	06-2009	-
2	3310001	PHOENIX GREEN 35 (FR, BE, IT) MET	07-2009	-
3	3310002	PHOENIX GREEN 40 (FR, BE, IT) MET	07-2009	-
Col	Reference	Model type	Begin	End

PHOENIX GREEN 27
 PHOENIX GREEN 35
 PHOENIX GREEN 40

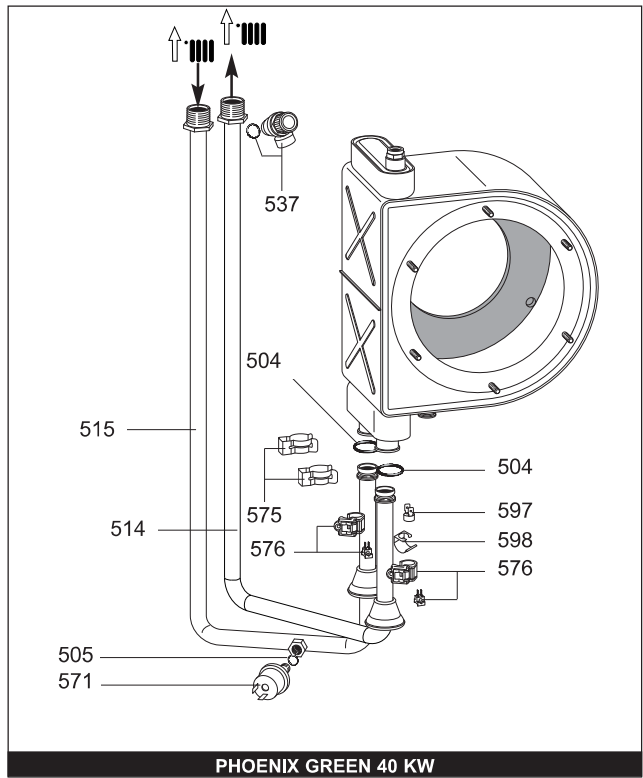
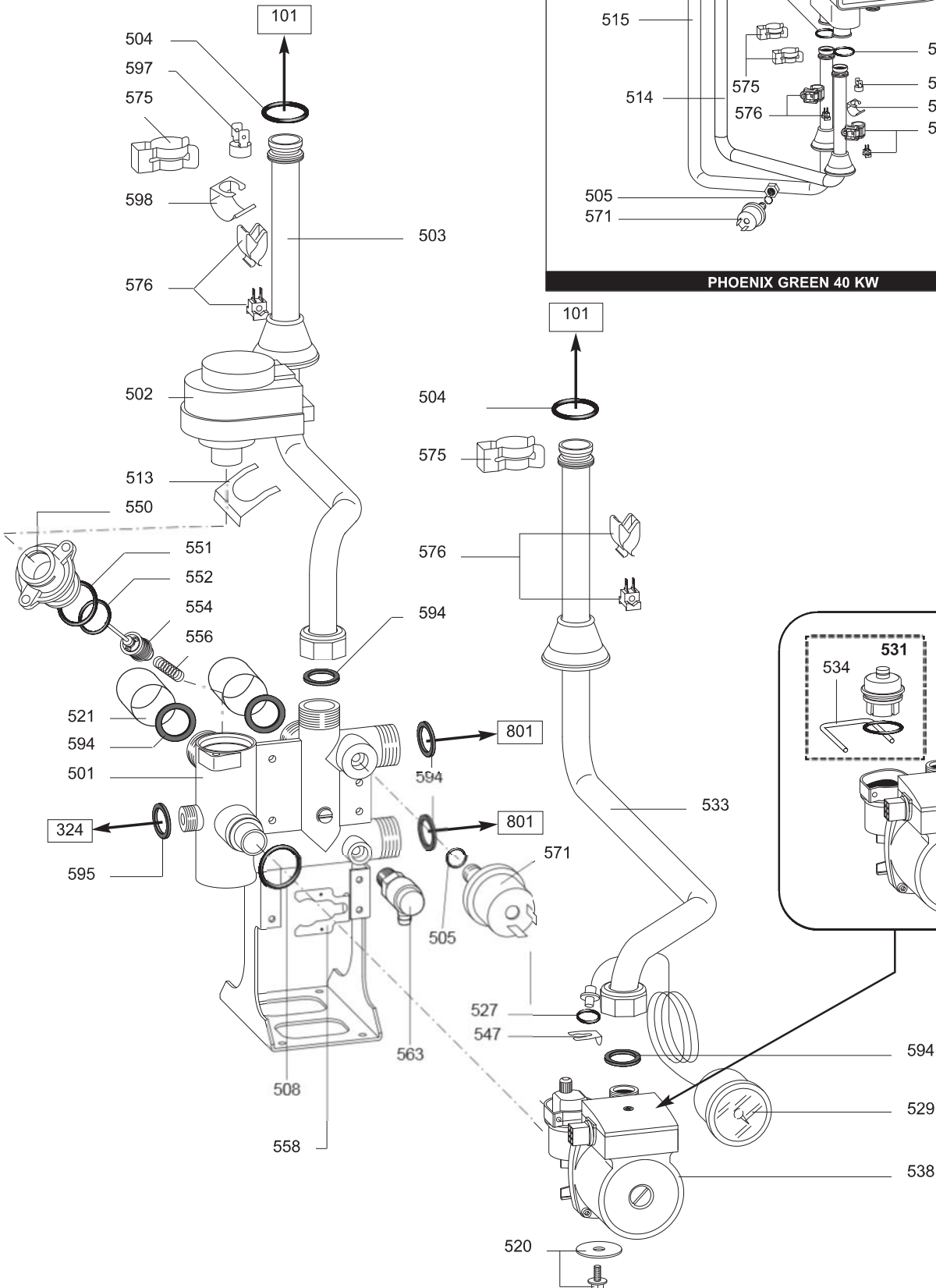
31

☉	Description	Manf. Pt. N	Type																		
				1	2	3	4	5	6	7	8	9	10	11	12	13	14	15	16	17	18
0100	SEALED CASE																				
0101	EXCHANGER 30 KW	65109219		•																	
	EXCHANGER	65109672				•															
	EXCHANGER	65109673				•															
0102	PANEL (EXCHANGER - FRONT)	65103376		•	•	•															
0104	DOOR GASKET	60000672-01		•	•	•															
0105	PANEL (INSULATION - FRONT)	65103360		•	•	•															
0107	BURNER	65103333				•	•														
	BURNER	65103334		•																	
0108	FIXING KIT	65103355		•																	
	FIXING KIT	65103356				•															
	FIXING KIT	65103357						•													
0109	AIR VALVE FITTING	998564		•	•	•															
0110	ELECTRODE (IGNITION)	65103358		•	•	•															
0111	IONIZATION ELECTRODE	61317433		•	•	•															
0112	GASKET D:85-66.5-2.5	61314753		•	•	•															
0113	GASKET (ELECTRODE)	65103367		•	•	•															
0114	CLIP	61307589		•	•	•															
0115	HOSE (EXPANSION RELIEF TO DISCHARGE)	572974		•																	
0117	DUCT FIRST SECTION	61315368				•	•														
	GAS PIPE	65103349		•																	
0119	DISCHARGE PIPE (CONDENSATE)	65103411		•	•	•															
0120	GASKET (ELECTRODE)	65103476		•	•	•															
0121	O-RING (3175 EPDM D=44.9)	990695		•	•	•															
0122	UNION (CONDENSE DRAIN)	65103382		•	•	•															
0123	CONDENSATE TRAP (UPPER)	65103381		•	•	•															
0124	FUME HOUSING	65103485		•	•	•															
0126	PANEL (INSULATION - REAR)	65103361		•	•	•															
0130	EXCHANGER SUPPORT	65103390		•	•	•															
0134	O-RING D: 17.86-2.62	61308091		•	•	•															
0142	PROBE	65103478		•	•	•															
0143	O-RING	65102580		•	•	•															
0146	CONDENSATE TRAP (LOWER)	65103378		•	•	•															
0147	GASKET D:129.4	61306030		•	•	•															
0150	UNION (AIR RELEASE VALVE)	65103477		•	•	•															
0200	FAN ASSEMBLY																				
0205	GASKET	61307587		•	•	•															
0206	FAN	65103414		•	•	•															
0208	GASKET	61306072		•	•	•															
0209	MIXER	65103371		•																	
	MIXER	65103372				•															
	MIXER	65103373						•													
0221	SILENCER	65103332		•	•	•															

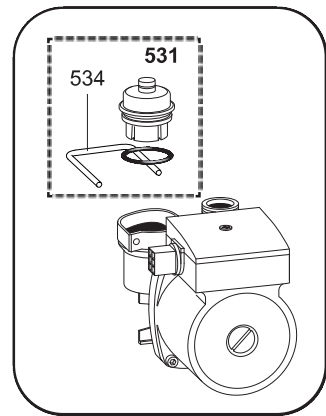
PHOENIX GREEN 27
 PHOENIX GREEN 35
 PHOENIX GREEN 40

31

☉⇒	Description	Manf. Pt. N	Type																		
				1	2	3	4	5	6	7	8	9	10	11	12	13	14	15	16	17	18
0300	CHASSIS-FRONT CASE																				
0303	DIAPHRAGM D=33	65104103	LG		●	●															
	DIAPHRAGM D=24	65104104	LG	●																	
	DIAPHRAGM D=40	65103353	NG	●	●	●															
0304	FLUE (EXHAUST MANIFOLD / HEADER)	65103348		●	●	●															
0312	SPARK GENERATOR	65103331		●	●	●															
0313	EARTH CABLE (SPARK GENERATOR)	65103345		●	●	●															
0314	CABLE HOLDER	65103374		●	●	●															
0315	GASKET	65103368		●	●	●															
0316	GASKET D:66.6	61306029		●	●	●															
0317	INSERT CASE	65103489		●	●	●															
0318	INSERT CASE (TOP)	65103490		●	●	●															
0320	MANIFOLD GASKET	65103365		●	●	●															
0323	PLUG KIT WITH GASKET	65103391		●	●	●															
0324	PIPE (EXPANSION VESSEL)	65103406		●	●																
0325	GASKET 3/8	573521		●	●																
0327	EXPANSION VESSEL	65103443		●	●																
0328	MANIFOLD GASKET	65103366		●	●	●															
0339	3/8 LOCK NUT	998581		●	●																
0342	CASE PANEL (R.H. SIDE)	65103483		●	●	●															
0344	CASE PANEL (FRONT)	65103419		●	●	●															
0345	CASE PANEL (L.H. SIDE)	65103484		●	●	●															
0346	FAST ATTACHMENT MALE SHUT OFF	574249		●	●	●															
0347	FAST ATTACHMENT FEMALE SHUT OFF	574250		●	●	●															
0350	CASE PANEL (UPPER)	65103442		●	●	●															
0351	PANEL (FRONT - SEALED CHAMBER)	990674		●	●	●															
0352	FOOT (SUPPORT)	572890		●	●	●															
0353	HINGE	65103347		●	●	●															
0400	GAS SECTION																				
0401	GAS VALVE	65103413		●	●	●															
0402	DIAPHRAGM D=4.6	65104101	LG	●	●																
	VALVE GAS DIAPHRAGM D=5.5	65104102	LG			●															
0406	GASKET 3/4	573520		●	●	●															
0418	GAS PIPE	65103397		●	●	●															
0427	GAS VALVE GASKET	65103364		●	●	●															



PHOENIX GREEN 40 KW



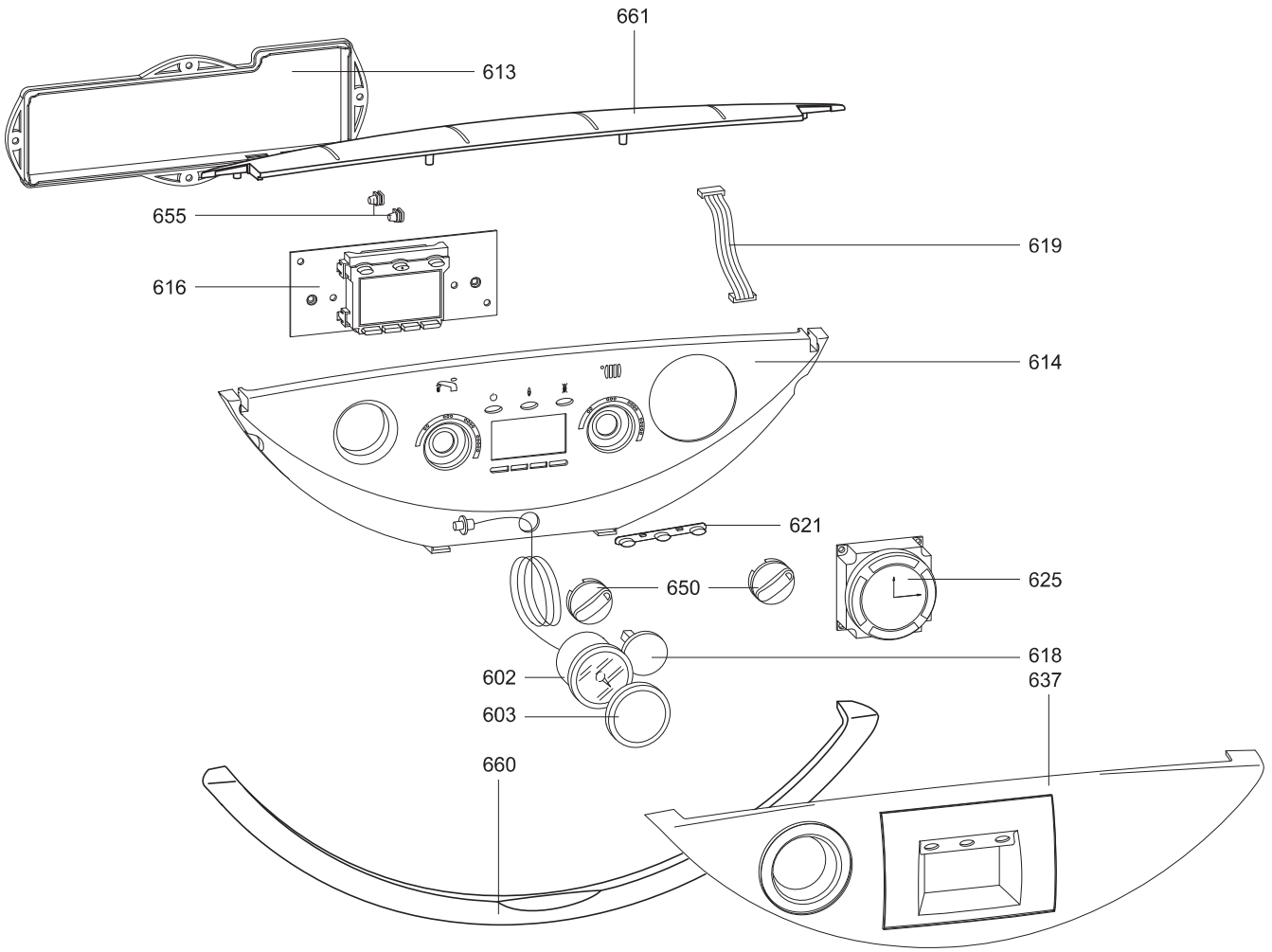
PHOENIX GREEN 27
 PHOENIX GREEN 35
 PHOENIX GREEN 40

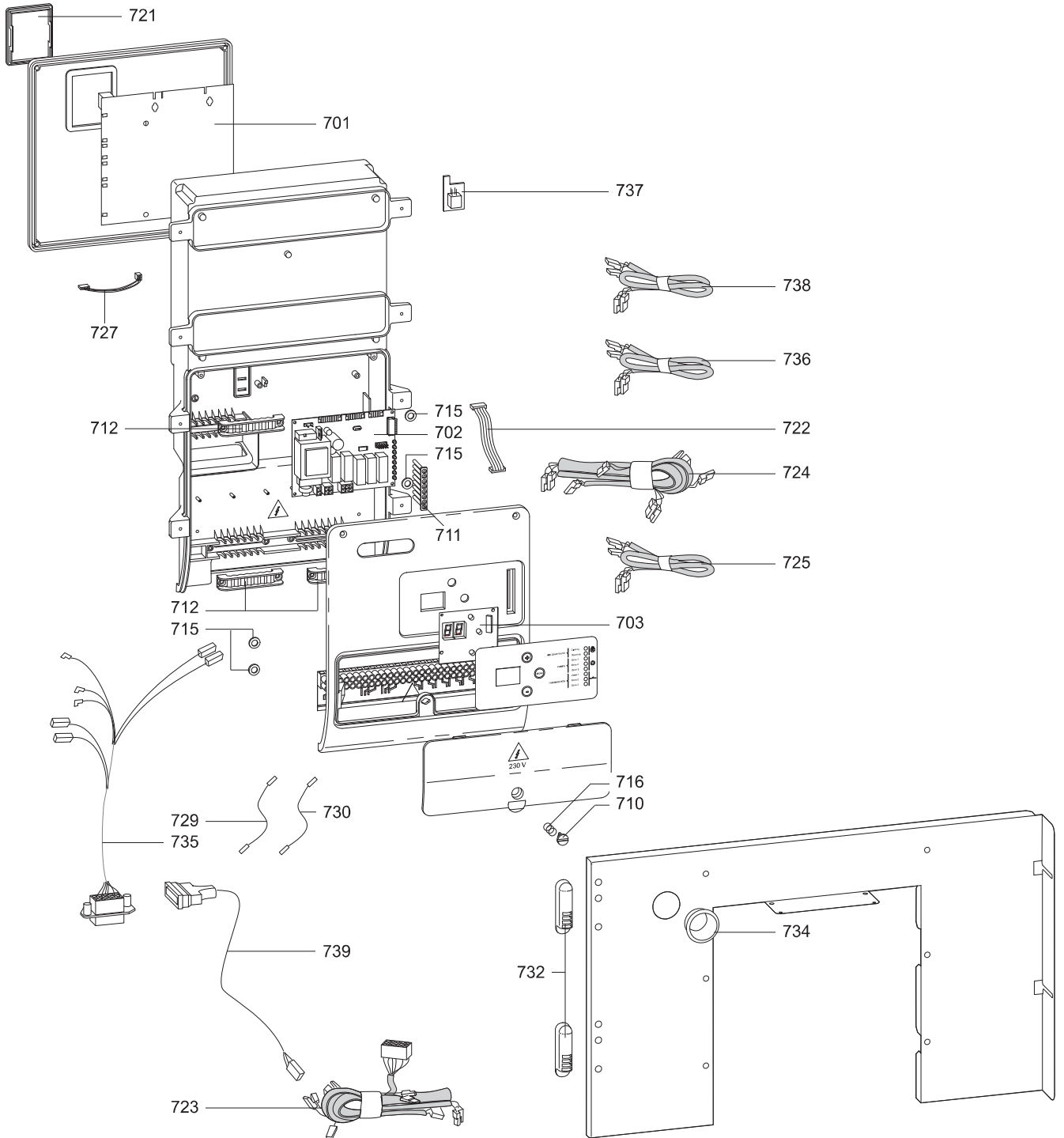
31

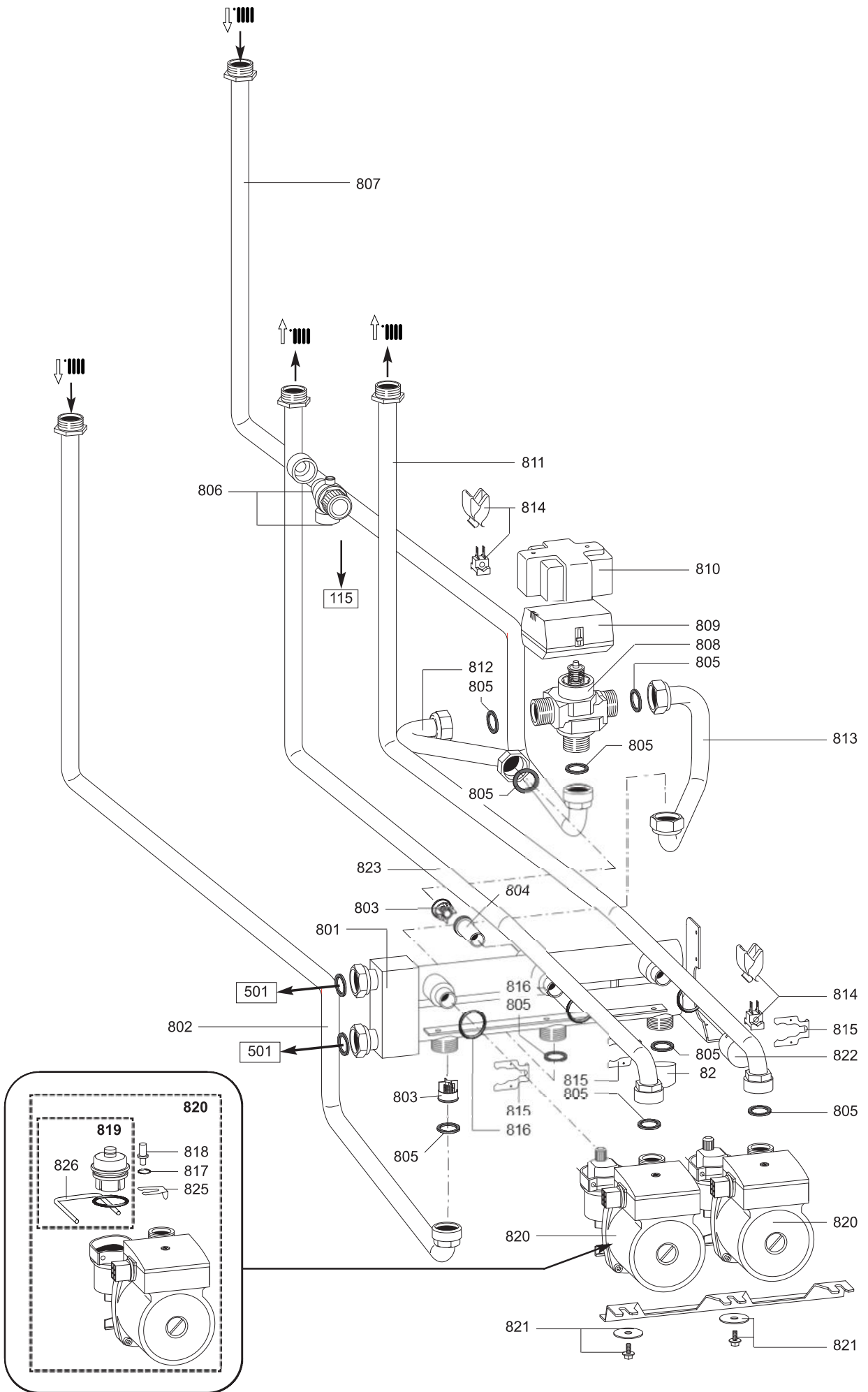
☉⇒	Description	Manf. Pt. N	Type																		
				1	2	3	4	5	6	7	8	9	10	11	12	13	14	15	16	17	18
0500	WATER SECTION ASSY																				
0501	MANIFOLD (C.H. RETURN)	65103351		•	•																
0502	MOTOR (3-WAY VALVE)	997147		•	•																
0503	PIPE (C.H. FLOW)	65103400		•															11/06		
	PIPE (C.H. FLOW)	65103403			•														11/06		
	PIPE (C.H. FLOW)	65105492		•															12/06		
	PIPE (C.H. FLOW)	65105493			•														12/06		
0504	O-RING D: 17.86-2.62	61308091		•	•	•															
0505	GASKET 1/4	569390		•	•	•															
0508	O-RING	998424		•	•																
0513	FIXING CLIP (MOTOR)	997077		•	•																
0514	PIPE (C.H. FLOW)	65103399								•											
0515	PIPE (C.H. RETURN)	65103407								•											
0519	PLUG	65102795		•	•																
0520	PUMP FIXING (KIT)	65103487		•	•																
0521	PLUG	65103488		•	•																
0527	O-RING	998517		•	•																
0529	PRESSURE GAUGE	65103370		•	•																
0531	AUTO AIR VENT + O-RING	995367		•	•																
0533	PIPE (C.H. RETURN)	65105434		•	•																
0534	U-CLIP	65104704		•	•																
0537	SAFETY VALVE	65103222		•	•	•															
0538	PUMP	65101417		•	•																
0547	CLIP	65100680		•	•																
0550	MOTOR SUPPORT	65100770		•	•																
0551	O-RING	990488		•	•																
0552	O-RING	990489		•	•																
0554	ASSEMBLED SHUTTER	65105144		•	•																
0556	SPRING (DIVERter VALVE)	65101008		•	•																
0558	CLIP	65102587		•	•																
0563	DRAIN VALVE	573727		•	•																
0571	LOW WATER PRESSURE SWITCH	995903		•	•	•															
0575	CLIP	61307589		•	•	•															
0576	TEMPERATURE PROBE + CLIP	990686		•	•	•															
0594	GASKET 3/4	573520		•	•	•															
0595	GASKET 3/8	573521		•	•	•															
0597	OVERHEAT THERMOSTAT	996065		•	•	•															
0598	CLIP	61010050		•	•	•															

PHOENIX GREEN

Domestic Gas Boilers



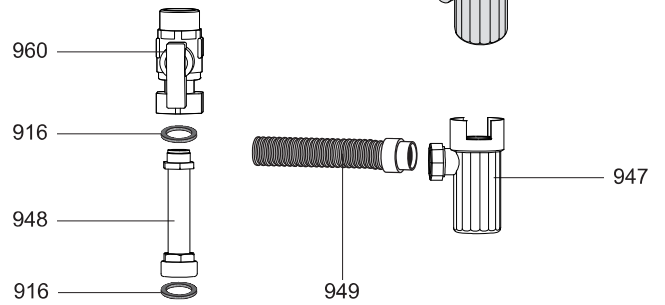
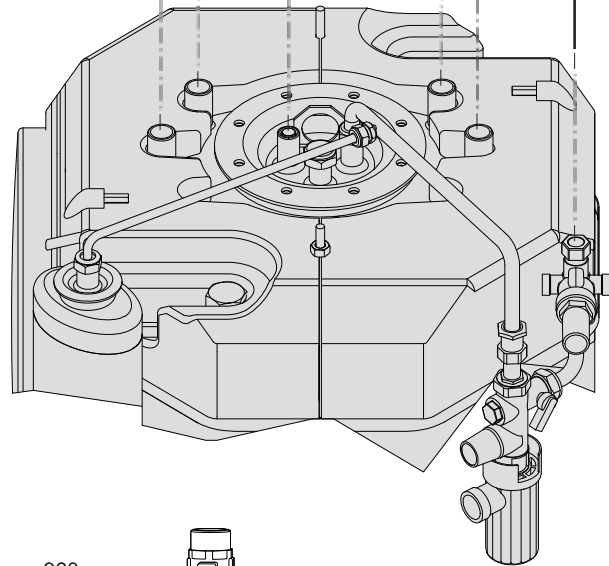
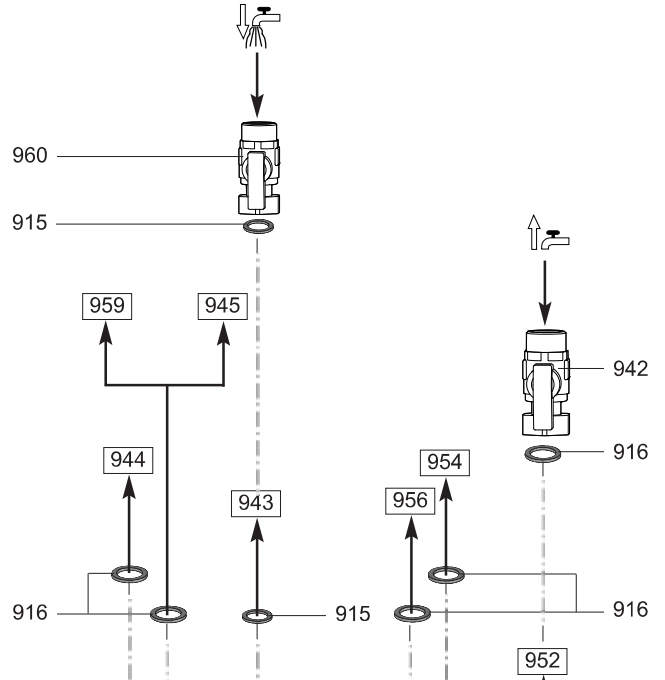
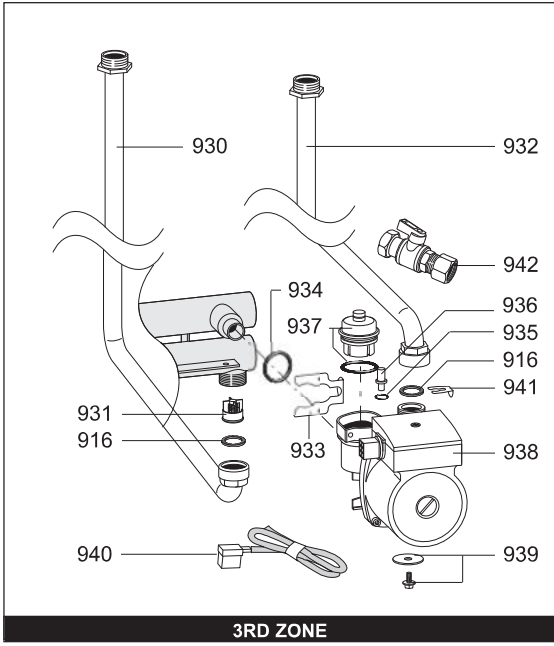




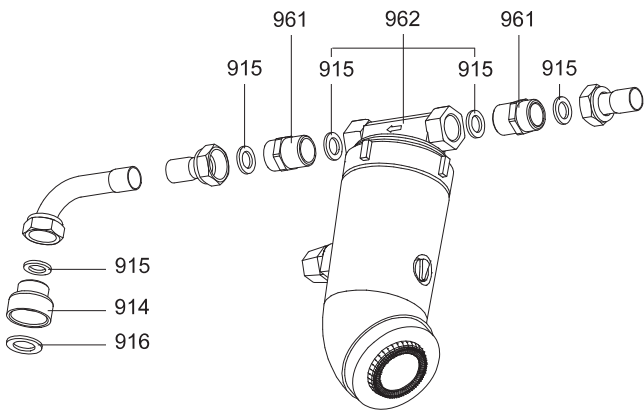
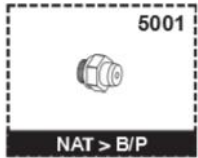
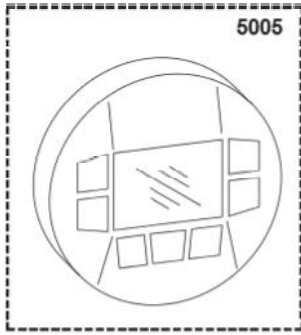
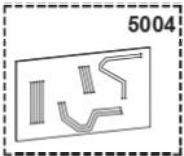
PHOENIX GREEN 27
 PHOENIX GREEN 35
 PHOENIX GREEN 40

31

☉⇒	Description	Manf. Pt. N	Type																		
				1	2	3	4	5	6	7	8	9	10	11	12	13	14	15	16	17	18
0800	HYDRAULIC COLLECTOR GROUP																				
0801	HYDRAULIC SEPARATOR	65103350		•	•																
0802	PIPE (C.H. RETURN)	65103408		•	•																
0803	ONE-WAY VALVE	65103412		•	•																
0804	PIPE	65104734		•	•																
0805	GASKET 3/4	573520		•	•																
0806	SAFETY VALVE	65103222		•	•																
0807	PIPE (C.H. RETURN)	65103409		•	•																
0808	VALVE	65103416		•	•																
0809	MOTOR (3-WAY VALVE)	65103417		•	•																
0810	COVER (MOTORISED VALVE)	572858		•	•																
0811	PIPE (C.H. FLOW)	65105433		•	•																
0812	PIPE	65103404		•	•																
0813	PIPE	65103405		•	•																
0814	TEMPERATURE PROBE + CLIP	990686		•	•																
0815	CLIP	65102587		•	•																
0816	O-RING	998424		•	•																
0817	O-RING	998517		•	•																
0818	PLUG	65102795		•	•																
0819	AUTO AIR VENT + O-RING	995367		•	•																
0820	PUMP	65101417		•	•																
0821	PUMP FIXING (KIT)	65103487		•	•																
0822	PLUG	65103475		•	•																
0823	PIPE (C.H. FLOW)	65105432		•	•																
0824	PLUG	65103488		•	•																
0825	CLIP	65100680		•	•																
0826	U-CLIP	65104704		•	•																



5000



PHOENIX GREEN 27
 PHOENIX GREEN 35
 PHOENIX GREEN 40

31

☉⇒	Description	Manf. Pt. N	Type																		
				1	2	3	4	5	6	7	8	9	10	11	12	13	14	15	16	17	18
0900	ACCESSORIES																				
0905	VALVE (1/2)	65100256		•	•																
0914	REDUCER	65102380		•	•																
0915	GASKET 1/2	573528		•	•																
0916	GASKET 3/4	573520		•	•																
0917	GASKET 3/8	573521		•	•																
0930	PIPE (C.H. RETURN)	65103408		•	•																
0931	ONE-WAY VALVE	65103412		•	•																
0932	PIPE (C.H. FLOW)	65105433		•	•																
0933	CLIP	65102587		•	•																
0934	O-RING	998424		•	•																
0935	O-RING	998517		•	•																
0936	PLUG	65102795		•	•																
0938	PUMP	65101417		•	•																
0939	PUMP FIXING (KIT)	65103487		•	•																
0940	CABLE (PUMP)	65104531		•	•																
0941	CLIP	65100680		•	•																
0942	VALVE (3/4)	65100255		•	•																
0943	PIPE (D.H.W. OUTLET/LEFT)	65105287		•	•																
	PIPE (D.H.W. OUTLET R.H.SIDE)	65105296		•	•																
	PIPE (D.H.W. OUTLET) (COLUMN)	65105426		•	•																
0944	RETURN PIPE (RIGHT)	65105286		•	•																
	RETURN PIPE (R.H.SIDE)	65105295		•	•																
	RETURN PIPE (COLUMN)	65105425		•	•																
	RETURN PIPE (COLUMN + SOLAR)	65105428		•	•																
0945	DELIVERY PIPE	65105285		•	•																
	DELIVERY PIPE (R.H.SIDE)	65105294		•	•																
	DELIVERY PIPE (COLUMN)	65105424		•	•																
0947	TRAP	65105284		•	•																
0948	GAS PIPE	65105289		•	•																
0949	DISCHARGE PIPE (CONDENSATE)	65105290		•	•																
0952	PIPE (COLD WATER INLET/ LEFT)	65105288		•	•																
	PIPE (R.H.SIDE COLD WATER INLET)	65105297		•	•																
	PIPE (COLD WATER INLET) (COLUMN)	65105427		•	•																
0954	DELIVERY PIPE (L.H.SIDE SOLAR PANEL)	65105314		•	•																
	DELIVERY PIPE (R.H.SIDE/SOLAR PANEL)	65105317		•	•																
	DELIVERY PIPE (COLUMN + SOLAR)	65105429		•	•																
0956	DELIVERY PIPE (L.H.SIDE/ TANK-SOLAR PAN.	65105315		•	•																
	DELIVERY PIPE (R.H.SIDE/TANK-SOLAR PANEL	65105318		•	•																
	DELIVERY PIPE (L.H.SIDE/TANK-SOLAR PAN.)	65105430		•	•																
0959	RETURN PIPE (L.H.SIDE/ TANK-SOLAR PAN.)	65105316		•	•																
	RETURN PIPE (R.H.SIDE/TANK-SOLAR PANEL	65105319		•	•																
	RETURN PIPE (L.H.SIDE/ TANK-SOLAR PAN.)	65105431		•	•																
0960	GAS VALVE ASSY 3/4	65100257		•	•																
0961	CONNECTION	61012470		•	•																
0962	PUMP	65106151		•	•																
5000	ACCESSORY																				
5001	BURNER JET FULL KIT (LPG)	65105265		•	•	•															
5004	REMOTE CONTROL INTERFACE	996041		•	•	•															
5006	OUTSIDE HEAT SENSOR	65109110		•	•	•															

LIST OF THE ABBREVIATIONS

HW	: Hot water.
CW	: Cold water.
C	: Ceramic resistance (normal heating).
Ca	: Ceramic resistance (accelerated heating)
TP	: Immersion heater.
1F	: With fittings.
2F	: Without fittings.
3F	: With fittings and another outlet connection.
AMI	: With mixing valve.
SMI	: Without mixing valve.
PUISS	: Power of th appliance.
PN	: Appliance with normal pression.
LP	: Appliance with low pression.
PV	: Appliance with variable power.
PF	: Appliance with fixed power.

IDENTIFICATION PLATE

SERIAL NUMBER

10 Characters :	04 05 125 011	
		Sequential number
		Manufacturing day
		Year of manufacture
11 Characters :	1 95 065004 - 31	
Month of manufacture :		Technical number of the appliance
from 1 to 9 → Jan. to Sep.,		Sequential number
O → Oct., N → Nov.,		Year of manufacture
D → Dec.		
19 Characters :	08 05 0013199 900640031	
Year of manufacture		Product reference
Month of manufacture		Sequential number
20 Characters :	3675007 XX 2 07 070 00315	
Product reference		Sequential number
Millenium of manufacture		Manufacturing day
		Year of manufacture
21 Characters :	3675007 XX 07 070 0000315	
Product reference		Sequential number
Year of manufacture		Manufacturing day

The indications mentioned on the prices, commercial or technical literature and the scheme are written for your guidance and are available at a given time. The CONSTRUCTOR retains the power to modify the presentation, the form, the size, the conception or the material of the products.