

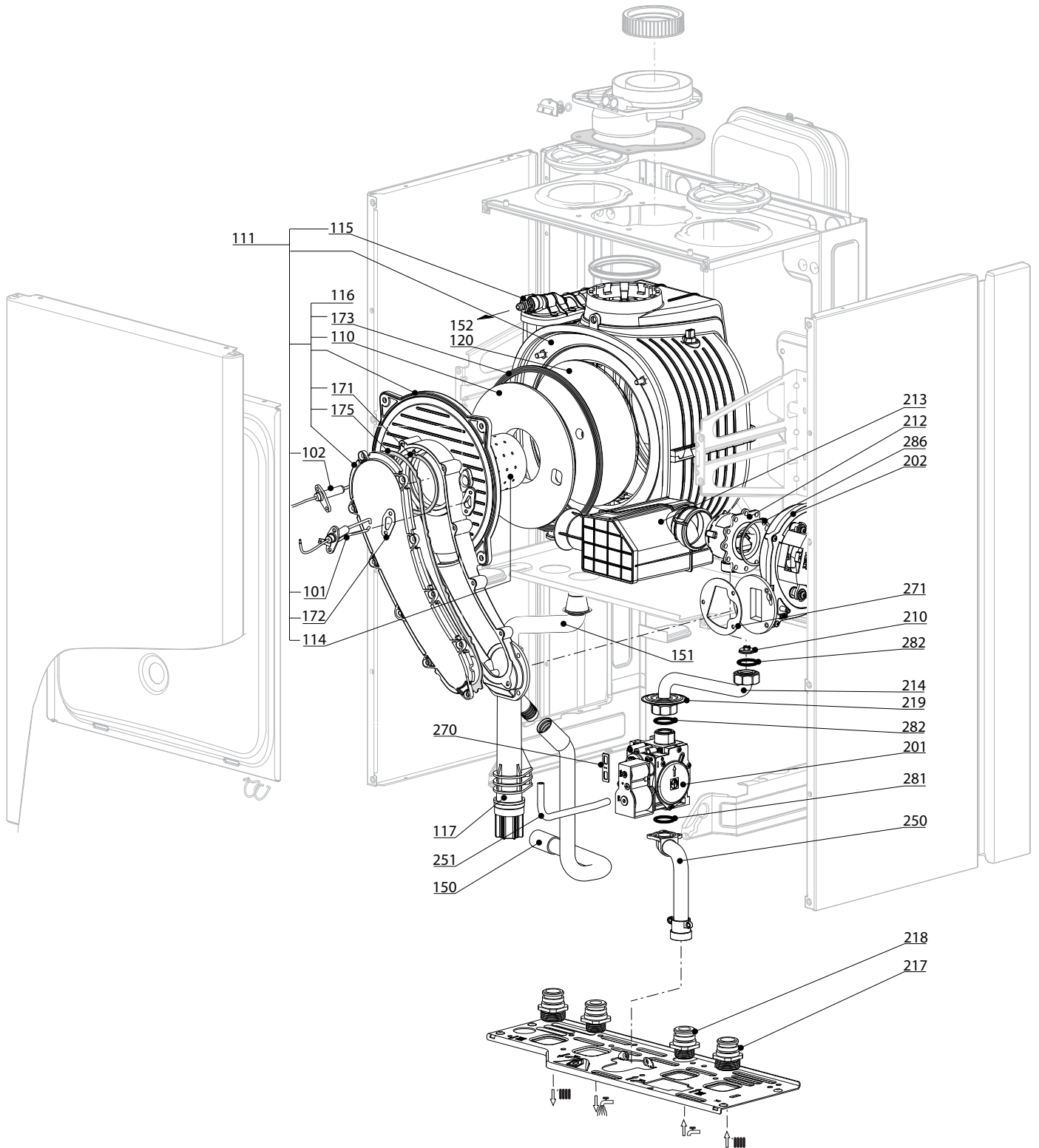
# SPARE PARTS EXPLODED VIEW GAS-WALL CONDENSING BOILERS

Model

## **URBIA - SERELIA GREEN EVO**

R8203348-03 - 02/07/2014

1	3310233	URBIA GREEN EVO 25 FR	05-2012	-
2	3310350	URBIA GREEN EVO 25 MOD FR BE		
3	3310310	URBIA GREEN EVO 25 3 CEP	06-2012	-
4	3310351	URBIA GREEN EVO 25 3CEP MOD FR BE		
5	3310236	URBIA GREEN EVO 30 FR	05-2012	-
6	3310240	SERELIA GREEN EVO 25 FR	05-2012	-
Col	Reference	Model type	Begin	End

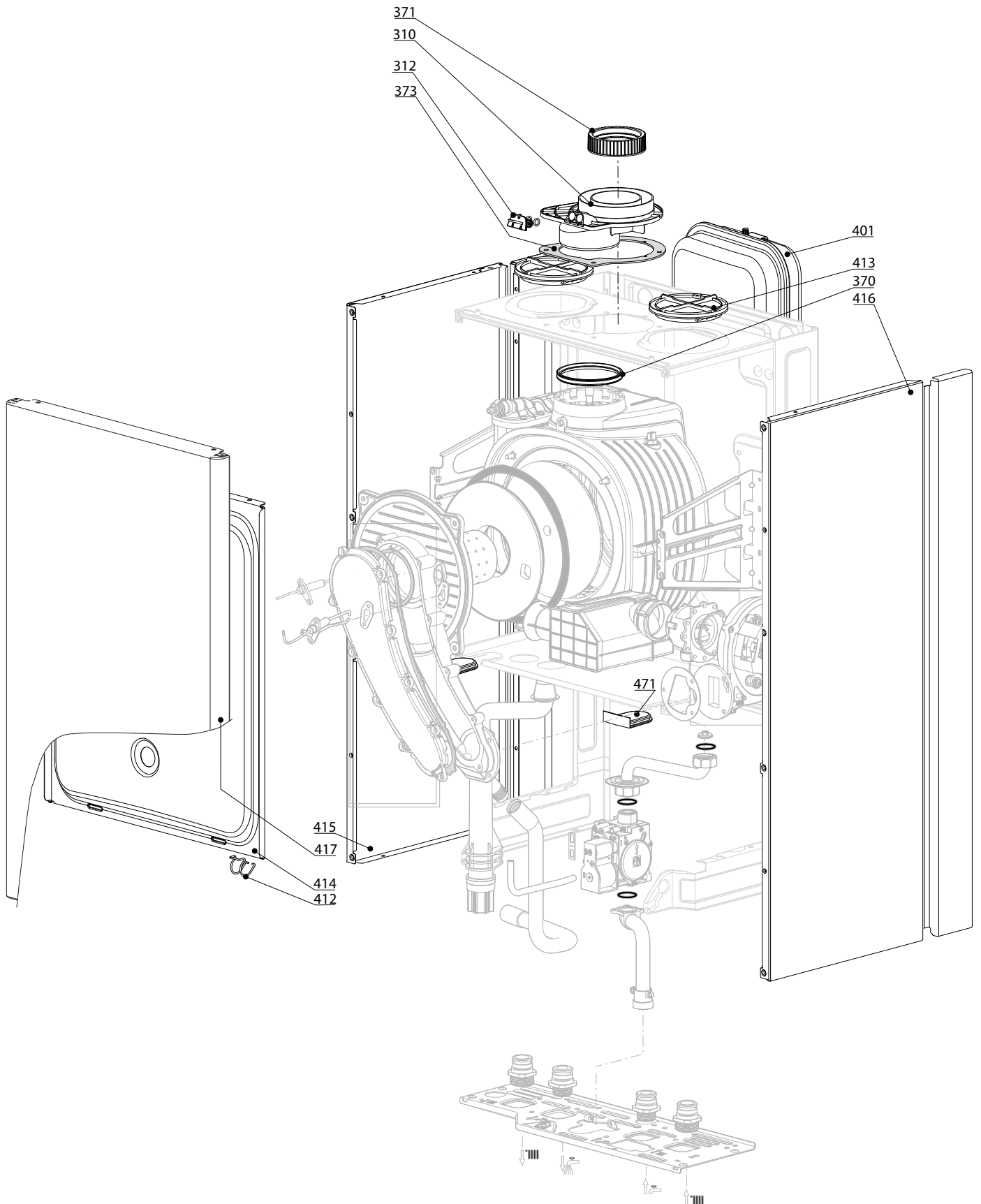


☺	Description	Manf. Pt. N	Type	<div style="display: flex; justify-content: space-between; align-items: center;"> <div style="writing-mode: vertical-rl; transform: rotate(180deg); font-size: small;">           URBIA G. EVO 25            URBIA G. EVO 25 MOD            URBIA G. EVO 25 3CEP            URBIA G. EVO 30            SERELIA G. EVO 25         </div> <div style="border: 1px solid black; padding: 2px;">           31         </div> </div>																		From	to
				1	2	3	4	5	6	7	8	9	10	11	12	13	14	15	16	17	18		
<b>0100</b>	<b>BURNER ASSEMBLY</b>																						
0101	IGNITION ELECTRODE	60000868-01		•	•	•	•	•															
0102	IONIZATION ELECTRODE	60000867-01		•	•	•	•	•															
0110	INSULATION (FRONT PANEL)	60000297		•	•	•	•	•															
0111	EXCHANGER 18/24KW	65111608		•	•	•	•		•														
	EXCHANGER 30KW	65111606							•														
0114	BURNER 18/24KW	60000288-01		•	•	•	•		•														
	BURNER 30KW	60001912							•														
0115	AIR SEPARATOR	60000994		•	•	•	•	•	•														
0116	DOOR ASSY	65111604		•	•	•	•	•	•														
0117	TRAP	60000987		•	•	•	•	•	•														
0120	PANEL (INSULATION - REAR)	65105904		•	•	•	•	•	•														
0150	TUBE PVC D:19 L:500	60000976		•	•	•	•	•	•														
0151	OUTGOING CONDENSATION TUBE	60001929		•	•	•	•	•	•														
0152	SILICONE TUBE D: 8x1 L: 0.15M	60001013		•	•	•	•	•	•														
0171	GASKET D:80.6-1.8	60001610		•	•	•	•	•	•														
0172	GASKET (IGNITION ELECTRODE)	60000286-01		•	•	•	•	•	•														
0173	DOOR GASKET	60000623		•	•	•	•	•	•														
0175	GASKET	60001609		•	•	•	•	•	•														
<b>0200</b>	<b>GAS SECTION</b>																						
0201	GAS VALVE	60001612		•	•	•	•	•	•														
0202	FAN ASSY	60001869		•	•	•	•	•	•														
0210	GAS RESTRICTOR D: 5.00	60001921	NAT	•	•	•	•																
	GAS RESTRICTOR D: 5.70	60001940	NAT						•														
	GAS RESTRICTOR D: 6.40	60001923	NAT							•													
0212	VENTURI D: 17MM	60001941		•	•	•	•																
	VENTURI D: 21MM	60001919							•														
	VENTURI D: 24MM	60001915								•													
0213	SILENCER	60001926								•													
	SILENCER	65111609		•	•	•	•	•															
0214	GAS TUBE 24 KW	60001934								•													
	GAS TUBE 24 KW	60001937		•	•	•	•																
	GAS TUBE 30 KW	60001938								•													
0217	UNION (3/4")	65104326		•	•	•	•	•	•														
0218	UNION (1/2")	65104327		•	•	•	•	•	•														
0219	GROMMET	61010109		•	•	•	•	•	•														
0250	GAS TUBE	60000720		•	•	•	•	•	•														
0251	SILICONE PIPE	60001613		•	•	•	•	•	•														
0270	GASKET (SPARK GENERATOR)	574279		•	•	•	•	•	•														
0271	GASKET	60001931		•	•	•	•	•	•														
0281	O-RING 22.22X2.62	65104304		•	•	•	•	•	•														
0282	SHEET GASKET D: 24-18.2-1.5	60022835-01		•	•	•	•	•	•														
0286	GASKET	60001878								•													

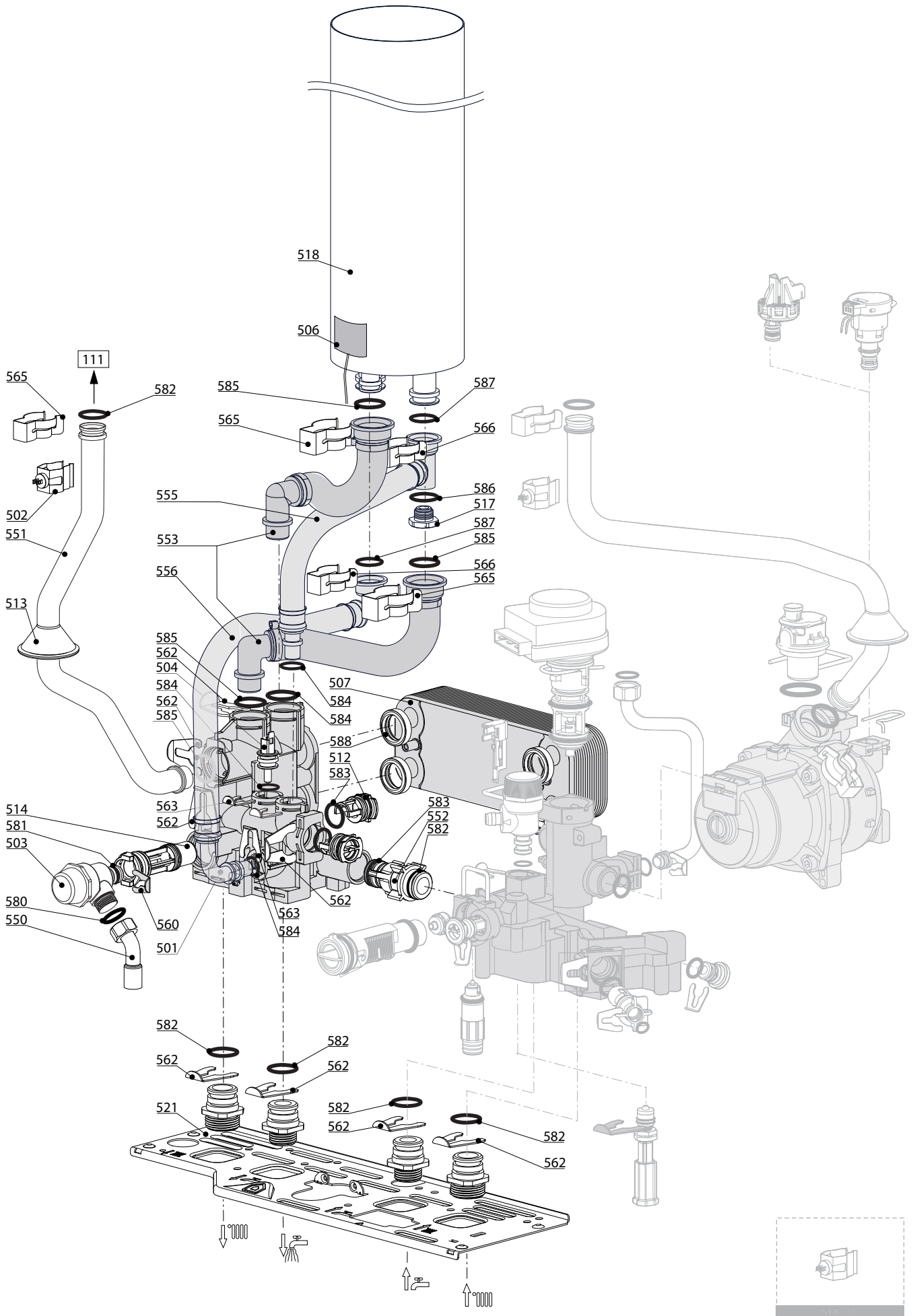
300  
400

URBIA - SERELIA GREEN EVO

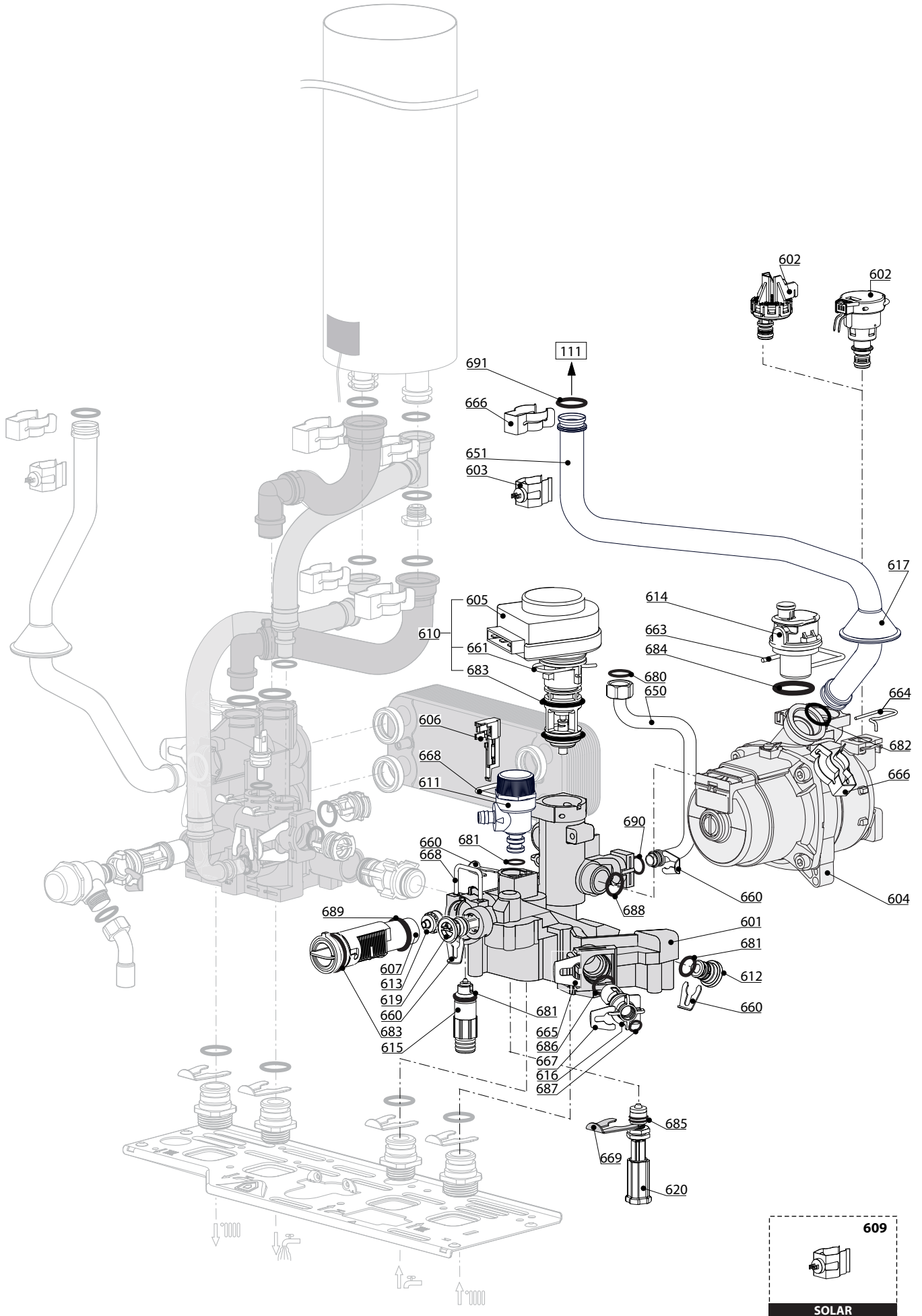
Gas-wall condensing boilers







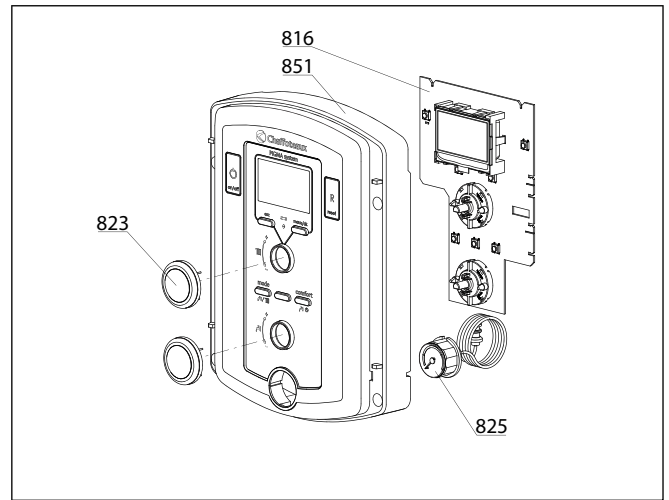
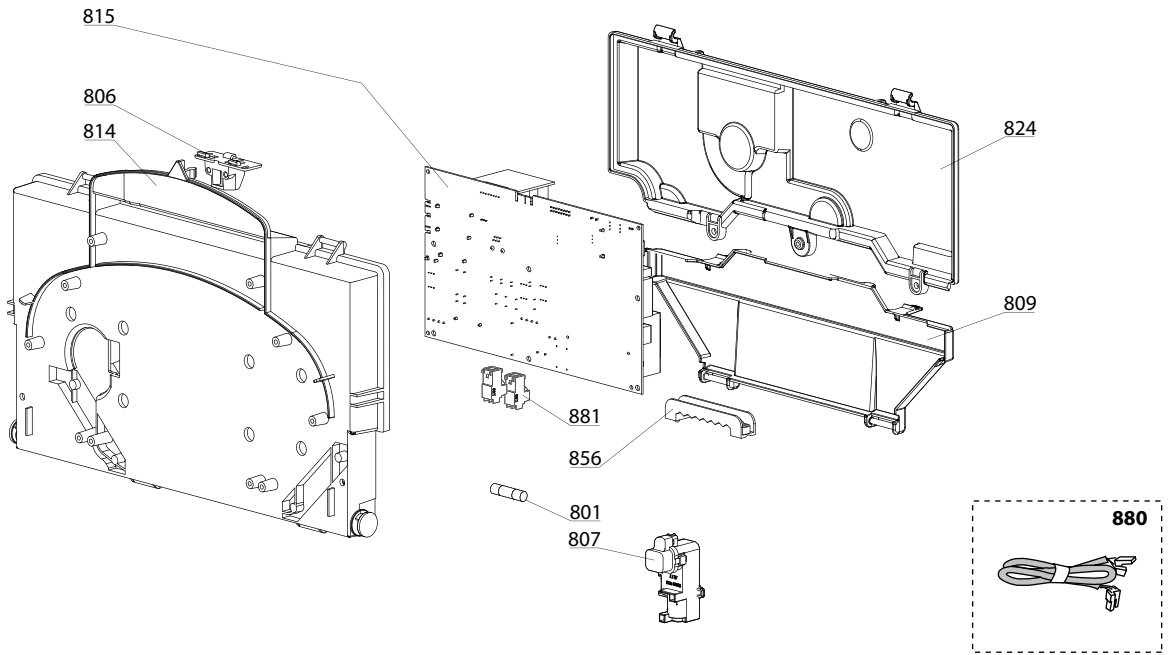




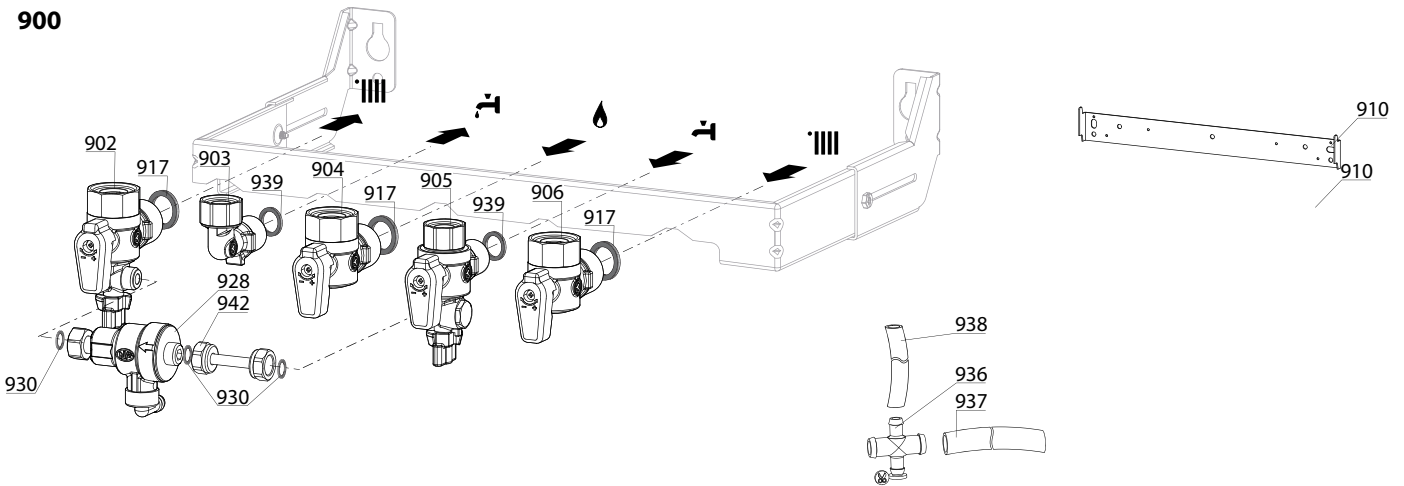




800



900



5000

**5001**  
 Transf. gaz > GPL  
 Conv. gas > GPL  
 Trasn. gas > GPL  
 Transf. gas > GPL

**5002**  
 Transf. gaz > Nat  
 Conv. gas > Nat  
 Trasn. gas > Met  
 Transf. gas > Met

**5020**  
 Options  
 Accessories  
 Opzioni  
 Accessorio



## LIST OF THE ABBREVIATIONS

HW .....	: Hot water.
CW .....	: Cold water.
C .....	: Ceramic resistance (normal heating).
Ca .....	: Ceramic resistance (accelerated heating)
TP .....	: Immersion heater.
1F .....	: With fittings.
2F .....	: Without fittings.
3F .....	: With fittings and another outlet connection.
AMI .....	: With mixing valve.
SMI .....	: Without mixing valve.
PUISS .....	: Power of th appliance.
PN .....	: Appliance with normal pression.
LP .....	: Appliance with low pression.
PV .....	: Appliance with variable power.
PF .....	: Appliance with fixed power.

## IDENTIFICATION PLATE

### SERIAL NUMBER

<b>10 Characters :</b>	04 05 125 011		
		Sequential number	
		Manufacturing day	
		Year of manufacture	
<b>11 Characters :</b>	1 95 065004 - 31		
Month of manufacture :		Technical number of the appliance	
from 1 to 9 → Jan. to Sep.,		Sequential number	
O → Oct., N → Nov.,		Year of manufacture	
D → Dec.			
<b>19 Characters :</b>	08 05 0013199 900640031		
Year of manufacture		Product reference	
Month of manufacture		Sequential number	
<b>20 Characters :</b>	3675007 XX 2 07 070 00315		
Product reference		Sequential number	
Millenium of manufacture		Manufacturing day	
		Year of manufacture	
<b>21 Characters :</b>	3675007 XX 07 070 0000315		
Product reference		Sequential number	
Year of manufacture		Manufacturing day	