

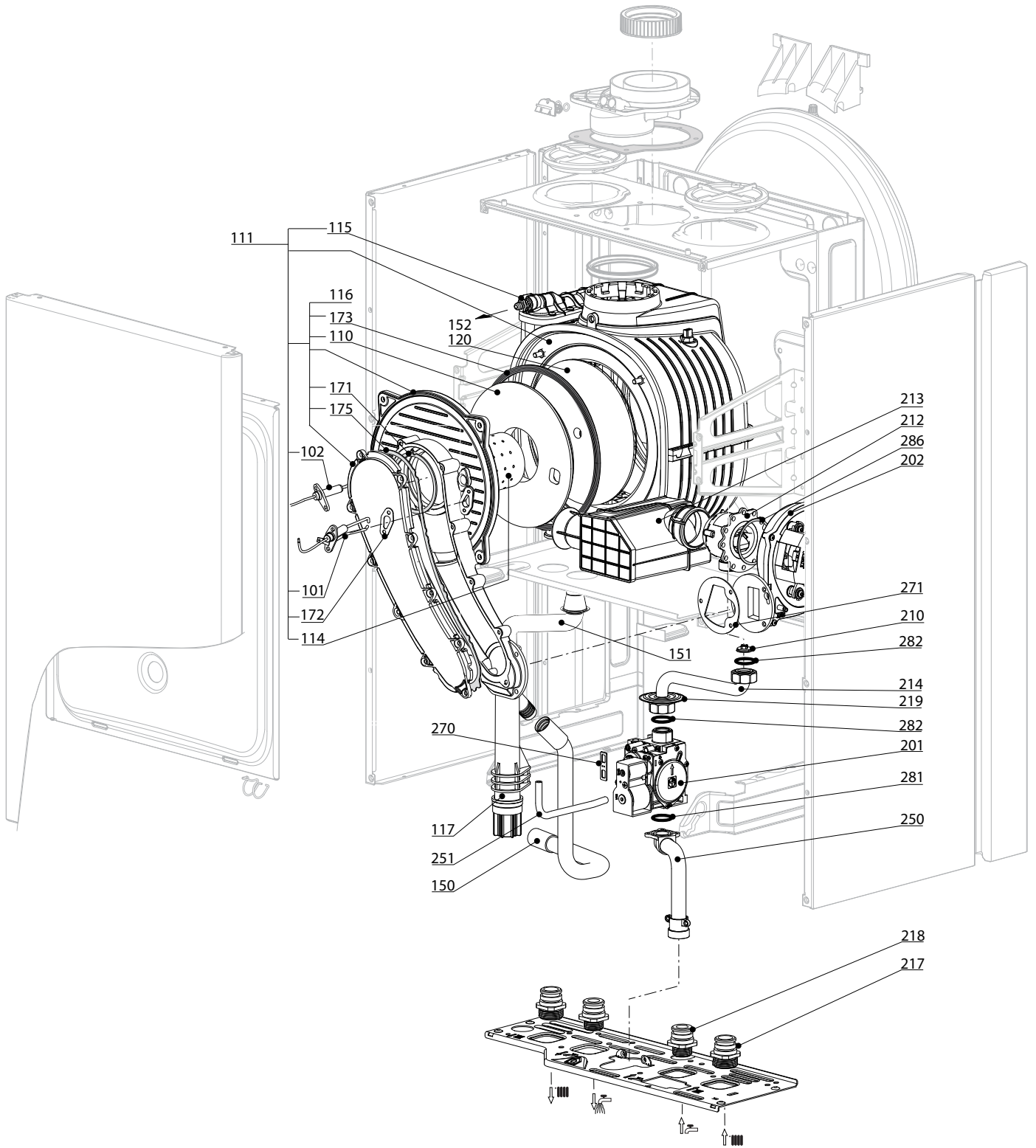
SPARE PARTS EXPLODED VIEW GAS-WALL CONDENSING BOILERS

Model

MIRA C GREEN EVO

R8203350-06 - 16/02/2015

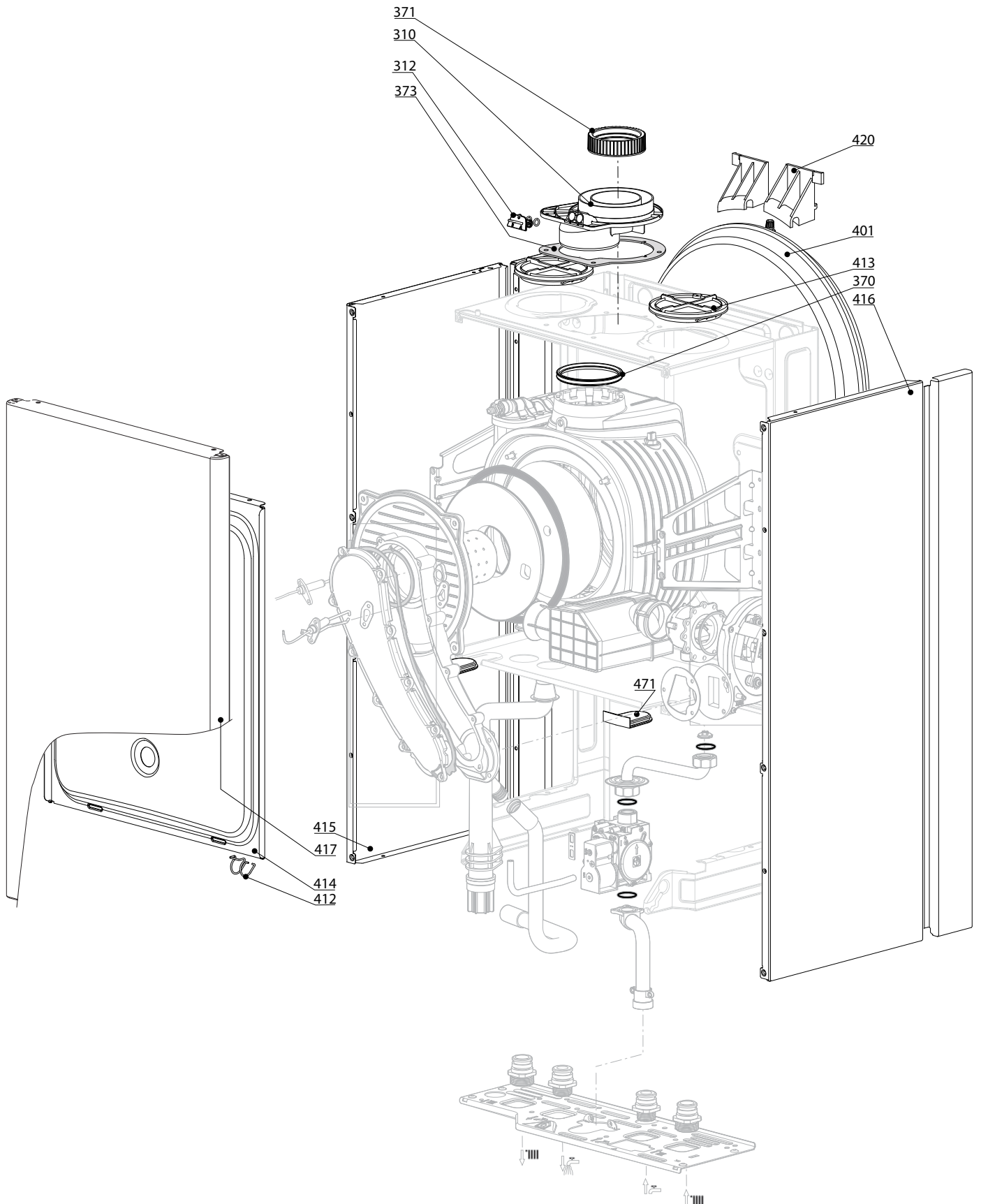
1	3310220	MIRA C GREEN EVO 25 FR BE	05-2012	-
2	3310347	MIRA C GREEN EVO 25 MOD FR BE		
2	3310418	MIRA C GREEN 25 FR BE EU		
3	3310309	MIRA C GREEN EVO 25 3CEP FR BE	06-2012	-
4	3310349	MIRA C GREEN EVO 25 3CEP MOD FR BE		
4	3310417	MIRA C GREEN 25 3CEP FR BE EU		
5	3310221	MIRA C GREEN EVO 30 FR BE	05-2012	-
6	3310348	MIRA C GREEN EVO 30 MOD FR BE		
6	3310420	MIRA C GREEN 30 FR BE EU		
7	3310398	MIRA C GREEN EVO MOD 25/30 BE		
7	3310423	MIRA C GREEN 25/30 BE EU		
8	3310318	MIRA C GREEN EVO 30 3CEP FR BE	09-2012	06-2013
9	3310255	MIRA C GREEN EVO 30 3CEP MOD FR BE		
9	3310419	MIRA C GREEN 30 3CEP FR BE EU		
10	3310222	MIRA C GREEN EVO 35 FR BE	05-2012	-
11	3310319	MIRA C GREEN EVO 35 3CEP FR BE	09-2012	-
Col	Reference	Model type	Begin	End



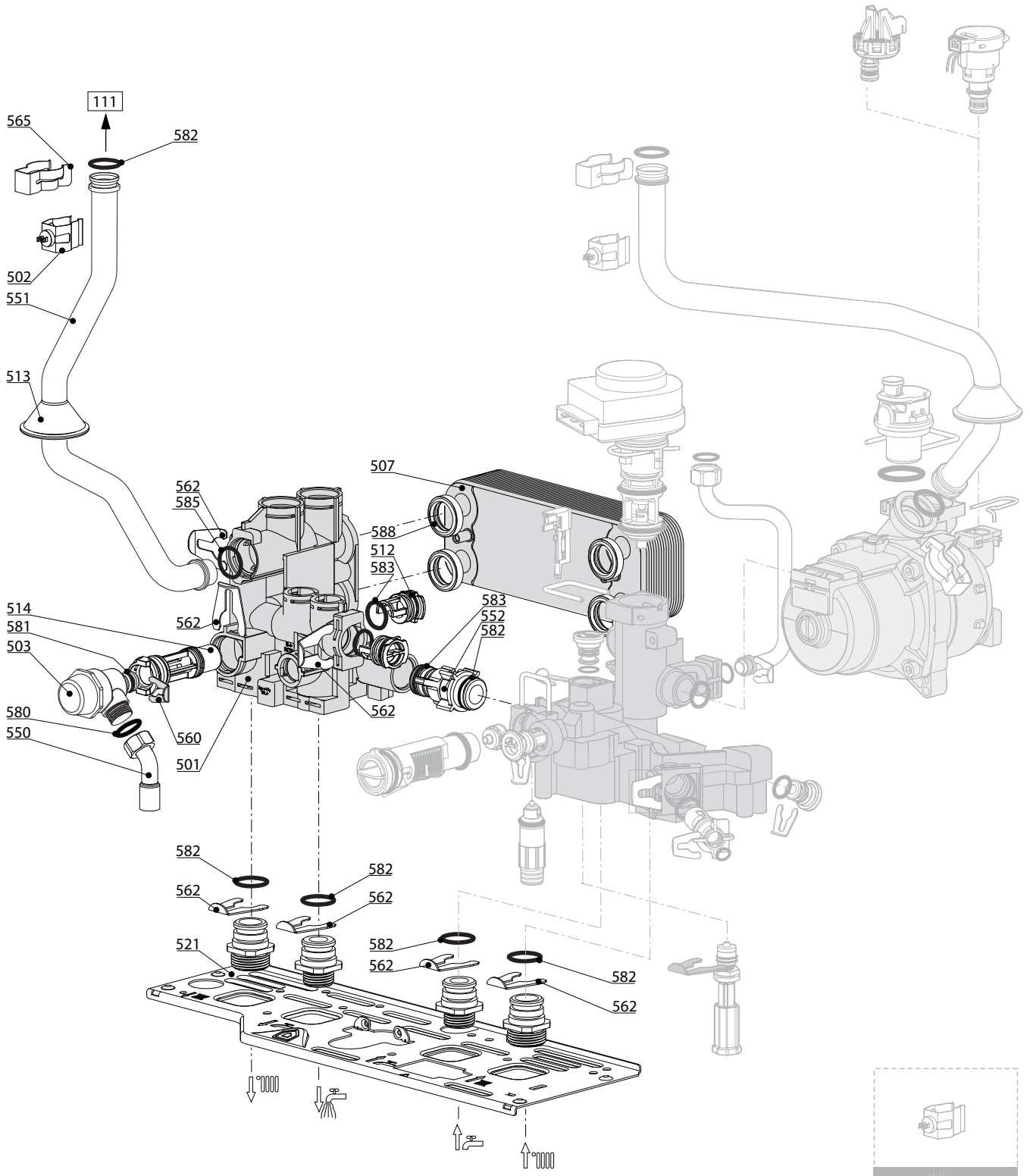
300
400

MIRA C GREEN EVO

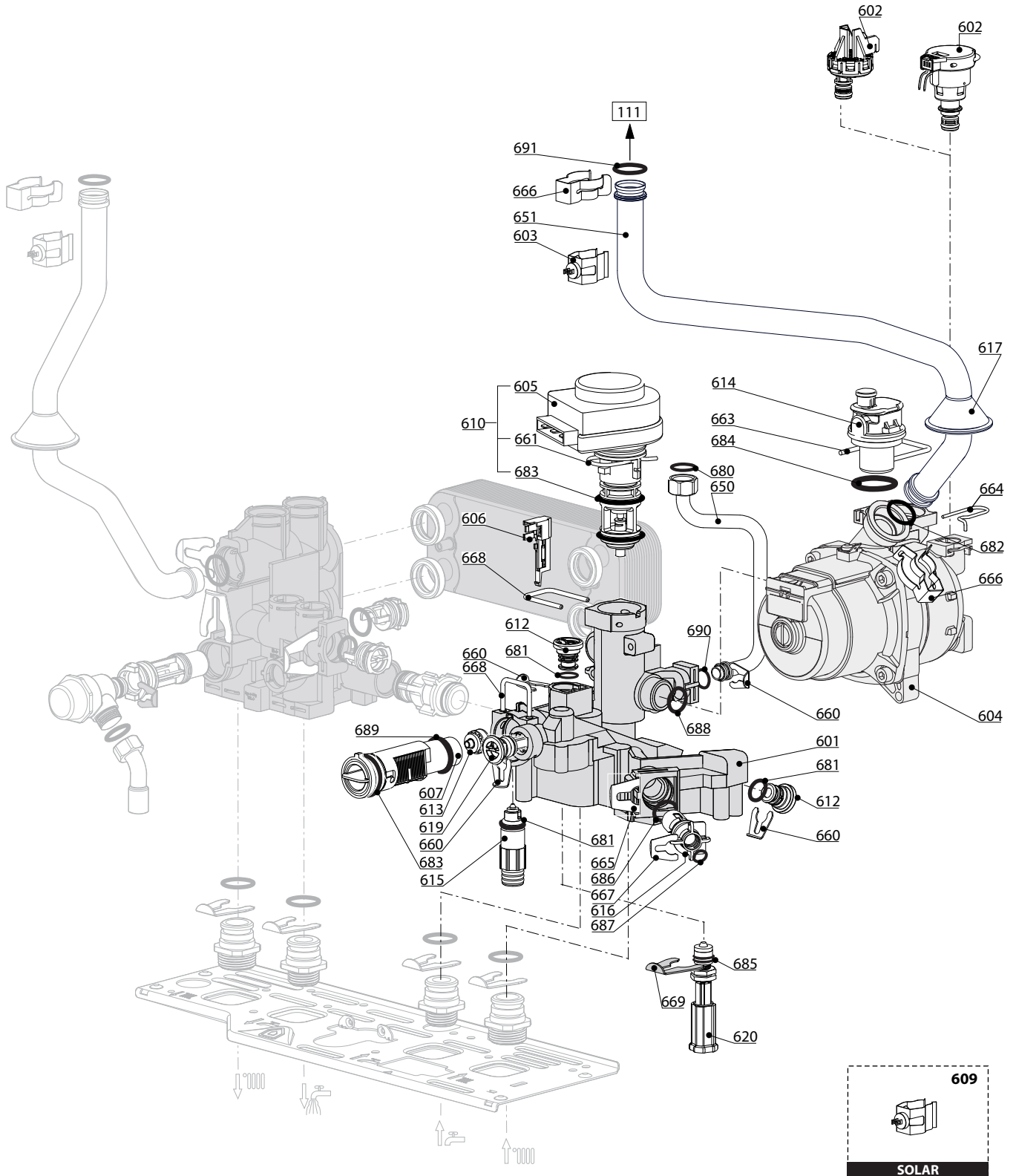
Gas-wall condensing boilers

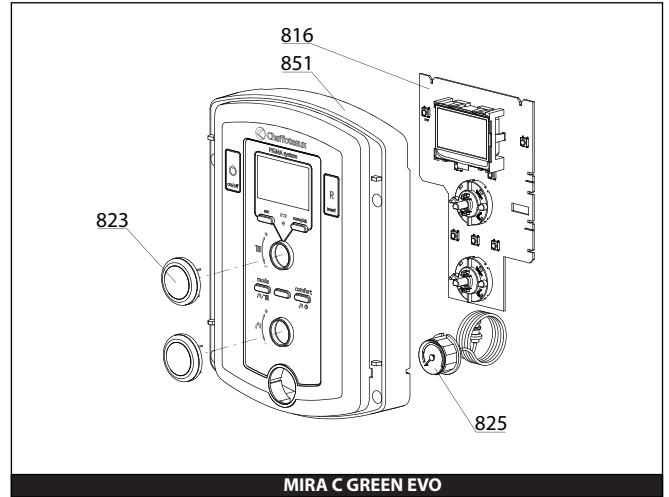
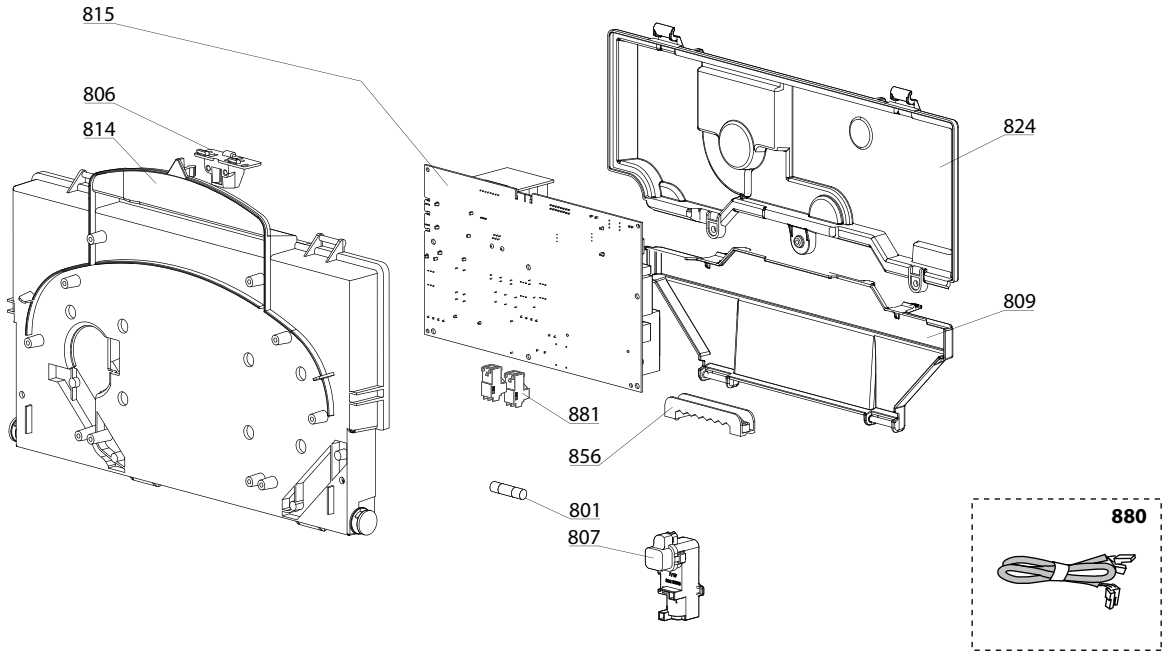


☉⇒	Description	Manf. Pt. N	Type	<div style="display: flex; justify-content: space-between; font-size: small;"> MIRA C.G. EVO 25 MIRA C.G. EVO 25 MOD MIRA C.G. EVO 25 3CEP MIRA C.G. EVO 25 3CEP MOD MIRA C.G. EVO 30 MIRA C.G. EVO 30 MOD MIRA C.G. EVO 30 2550 MIRA C.G. EVO 30 3CEP MIRA C.G. EVO 35 MIRA C.G. EVO 35 3CEP </div>																		From	to
				1	2	3	4	5	6	7	8	9	10	11	12	13	14	15	16	17	18		
0300	FAN ASSEMBLY																						
0310	BI FLUX CONNECTION 3CEP	60001954				•				•		•											
	FLUE (EXHAUST MANIFOLD/HEADER)	60000523		•	•			•	•	•		•											
0312	FLUE INTAKE PLUG	65104295		•	•	•	•	•	•	•		•	•	•									
0370	SEALING RING 80mm	60000315		•	•	•	•	•	•	•		•	•	•									
0371	GASKET	60000316		•	•			•	•	•		•											
	MANIFOLD GASKET	65103366				•	•			•	•		•										
0373	GASKET	60000317		•	•	•	•	•	•	•		•	•	•									
0400	SEALED CASE																						
0401	EXPANSION VESSEL 10L	65114173							•														
	EXPANSION VESSEL 8L	65104261		•	•	•	•	•	•		•	•	•	•									
0412	SPRING FRONT PANEL (KIT)	65104298		•	•	•	•	•	•		•	•	•	•									
0413	AIR RETURN COVER	65104249		•	•	•	•	•	•		•	•	•	•									
0414	PANEL (FRONT - SEALED CHAMBER)	65105678-01		•	•	•	•	•	•		•	•	•	•									
0415	SIDE PANELS LEFT + RIGHT	65111885		•	•	•	•																
	SIDE PANELS LEFT + RIGHT	65111900						•	•	•		•	•	•									
0417	CASE PANEL (FRONT)	60000983		•	•	•	•	•	•		•	•	•	•									
0420	EXPANSION VESSEL SUPPORT	65104696		•	•	•	•	•	•		•	•	•	•									
	SUPPORT (EXPANSION VESSEL-UPPER)	65114176							•														
0470	CABLE INLET RUBBER WASHER	60000540		•	•	•	•	•	•		•	•	•	•									
0471	CABLE INLET RUBBER WASHER	60000541		•	•	•	•	•	•		•	•	•	•									

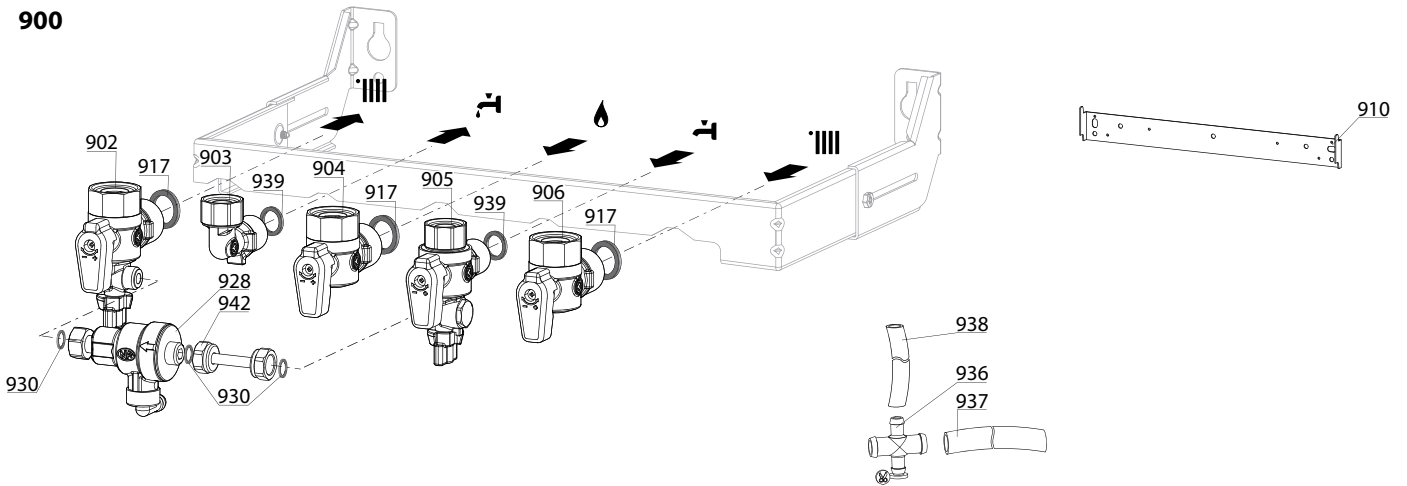


☉⇒	Description	Manf. Pt. N	Type	<div style="display: flex; justify-content: space-between; font-size: 8px; transform: rotate(-45deg);"> MIRA C.G. EVO 25 MIRA C.G. EVO 25 MOD MIRA C.G. EVO 25 3CEP MIRA C.G. EVO 25 3CEP MOD MIRA C.G. EVO 30 MIRA C.G. EVO 30 MOD MIRA C.G. EVO 30 2550 MIRA C.G. EVO 30 3CEP MIRA C.G. EVO 35 MIRA C.G. EVO 35 3CEP </div>																		From	to
				1	2	3	4	5	6	7	8	9	10	11	12	13	14	15	16	17	18		
0500	FLOW GROUP																						
0501	FLOW GROUP	60001952		●	●	●	●	●	●	●	●	●	●										
0502	TEMPERATURE PROBE + CLIP KIT	990686-01		●	●	●	●	●	●	●	●	●	●										
0503	PRESSURE RELIEF VALVE (3 BAR)	61312668		●	●	●	●	●	●	●	●	●	●										
0507	SANITARY HEAT EXCHANGER (16 P.)	65104333		●	●	●	●	●	●	●	●	●	●										
0512	PLUG	65104445		●	●	●	●	●	●	●	●	●	●										
0513	GROMMET	61010109		●	●	●	●	●	●	●	●	●	●										
0514	BY-PASS	65104336		●	●	●	●	●	●	●	●	●	●										
0521	HYDRAULIC GROUP SUPPORT	60001375		●	●	●	●	●	●	●	●	●	●										
0550	PIPE (SAFETY VALVE)	65104447		●	●	●	●	●	●	●	●	●	●										
0551	PIPE (C.H. FLOW)	60000859		●	●	●	●	●	●	●	●	●	●										
	PIPE (C.H. FLOW)	60000981												●	●								
0552	BY-PASS PIPE	65104340		●	●	●	●	●	●	●	●	●	●										
0560	CLIP D:10	65104260		●	●	●	●	●	●	●	●	●	●										
0562	CLIP D:18	65104259		●	●	●	●	●	●	●	●	●	●										
0565	CLIP	60000309		●	●	●	●	●	●	●	●	●	●										
0580	SHEET GASKET D: 13.9-10.4-1.5	60061853-02		●	●	●	●	●	●	●	●	●	●										
0581	O-RING 17.96X2.62	65104337		●	●	●	●	●	●	●	●	●	●										
0582	O-RING 17.86X2.62	61308091		●	●	●	●	●	●	●	●	●	●										
0583	O-RING 15.54X2.62	65104325		●	●	●	●	●	●	●	●	●	●										
0585	O-RING 17.04X3.53	65104262		●	●	●	●	●	●	●	●	●	●										
0588	EXCHANGER GASKET	65104334		●	●	●	●	●	●	●	●	●	●										





900



5000

5001
 Transf. gaz > GPL
 Conv. gas > GPL
 Trasn. gas > GPL
 Transf. gas > GPL

5002
 Transf. gaz > Nat
 Conv. gas > Nat
 Trasn. gas > Met
 Transf. gas > Met

5020
 Options
 Accessories
 Opzioni
 Accessorio

LIST OF THE ABBREVIATIONS

HW	: Hot water.
CW	: Cold water.
C	: Ceramic resistance (normal heating).
Ca	: Ceramic resistance (accelerated heating)
TP	: Immersion heater.
1F	: With fittings.
2F	: Without fittings.
3F	: With fittings and another outlet connection.
AMI	: With mixing valve.
SMI	: Without mixing valve.
PUISS	: Power of th appliance.
PN	: Appliance with normal pression.
LP	: Appliance with low pression.
PV	: Appliance with variable power.
PF	: Appliance with fixed power.

IDENTIFICATION PLATE

SERIAL NUMBER

10 Characters :	04 05 125 011		
		Sequential number	
		Manufacturing day	
		Year of manufacture	
11 Characters :	1 95 065004 - 31		
Month of manufacture :		Technical number of the appliance	
from 1 to 9 → Jan. to Sep.,		Sequential number	
O → Oct., N → Nov.,		Year of manufacture	
D → Dec.			
19 Characters :	08 05 0013199 900640031		
Year of manufacture		Product reference	
Month of manufacture		Sequential number	
20 Characters :	3675007 XX 2 07 070 00315		
Product reference		Sequential number	
Millenium of manufacture		Manufacturing day	
		Year of manufacture	
21 Characters :	3675007 XX 07 070 0000315		
Product reference		Sequential number	
Year of manufacture		Manufacturing day	