

## SPARE PARTS EXPLODED VIEW GAS WALL BOILERS

Model

### **MIRA C GREEN**

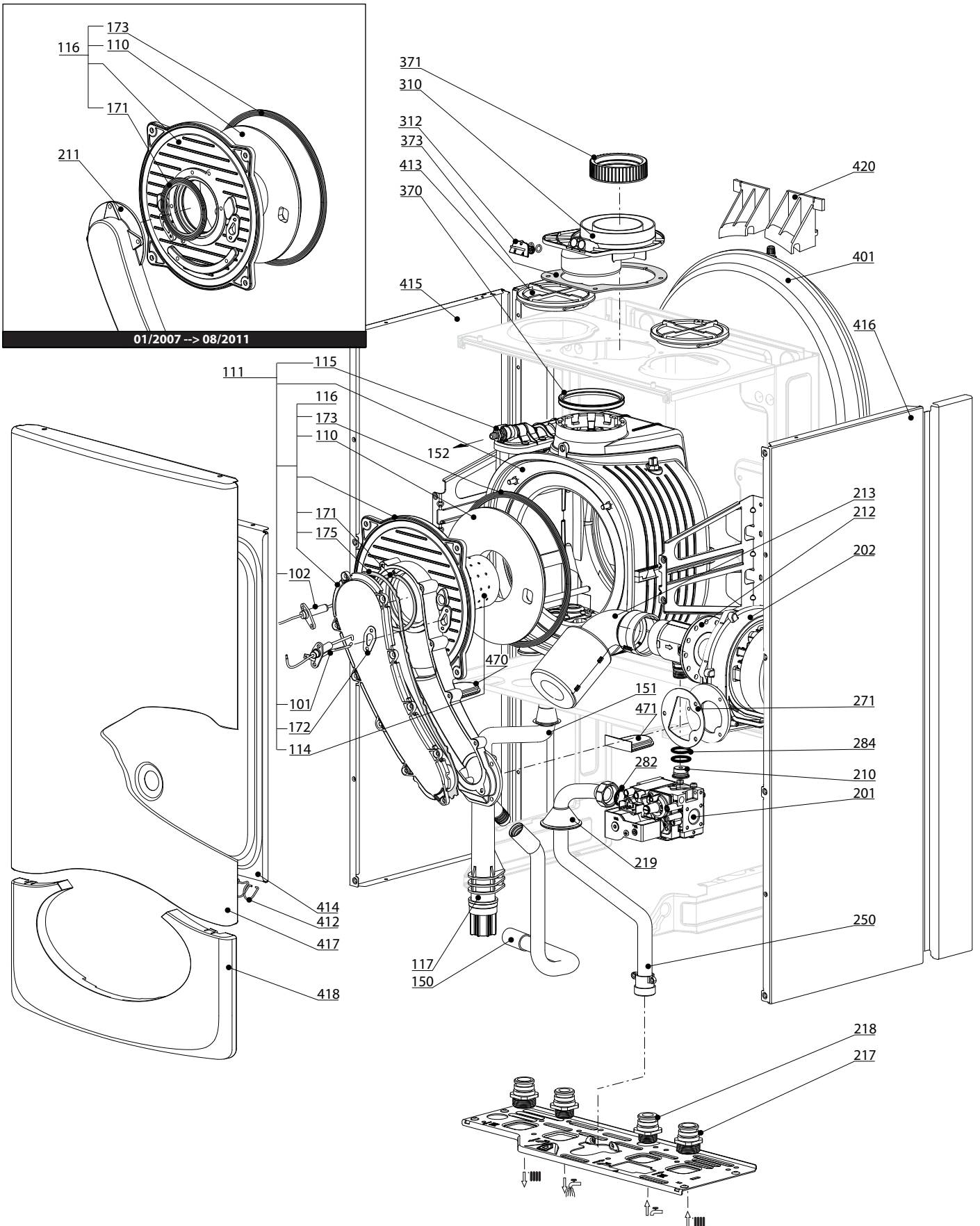
R8203186-06 - 23/03/2012

1	3650289	MIRA C GREEN 25 FF N FR	04/08	01/10
1	3310083	MIRA C GREEN 25 FF N FR	02/10	...
1	3310151	MIRA C GREEN 25 FF FR + K.E.	03/11	...
1	3650339	MIRA C GREEN 25 FF (3CE)P FR	09/08	03/10
1	3310121	MIRA C GREEN 25 FF (3CE)P FR	04/10	...
2	3650288	MIRA C GREEN 30 FF N FR	04/08	01/10
2	3310104	MIRA C GREEN 30 FF N FR	02/10	...
2	3310153	MIRA C GREEN 30 FF FR + K.E.	03/11	...
3	3650287	MIRA C GREEN 35 FF N FR	04/08	01/10
3	3310112	MIRA C GREEN 35 FF N FR	02/10	...
3	3310154	MIRA C GREEN 35 FF FR + K.E.	03/11	...
Col	Reference	Model type	Begin	End

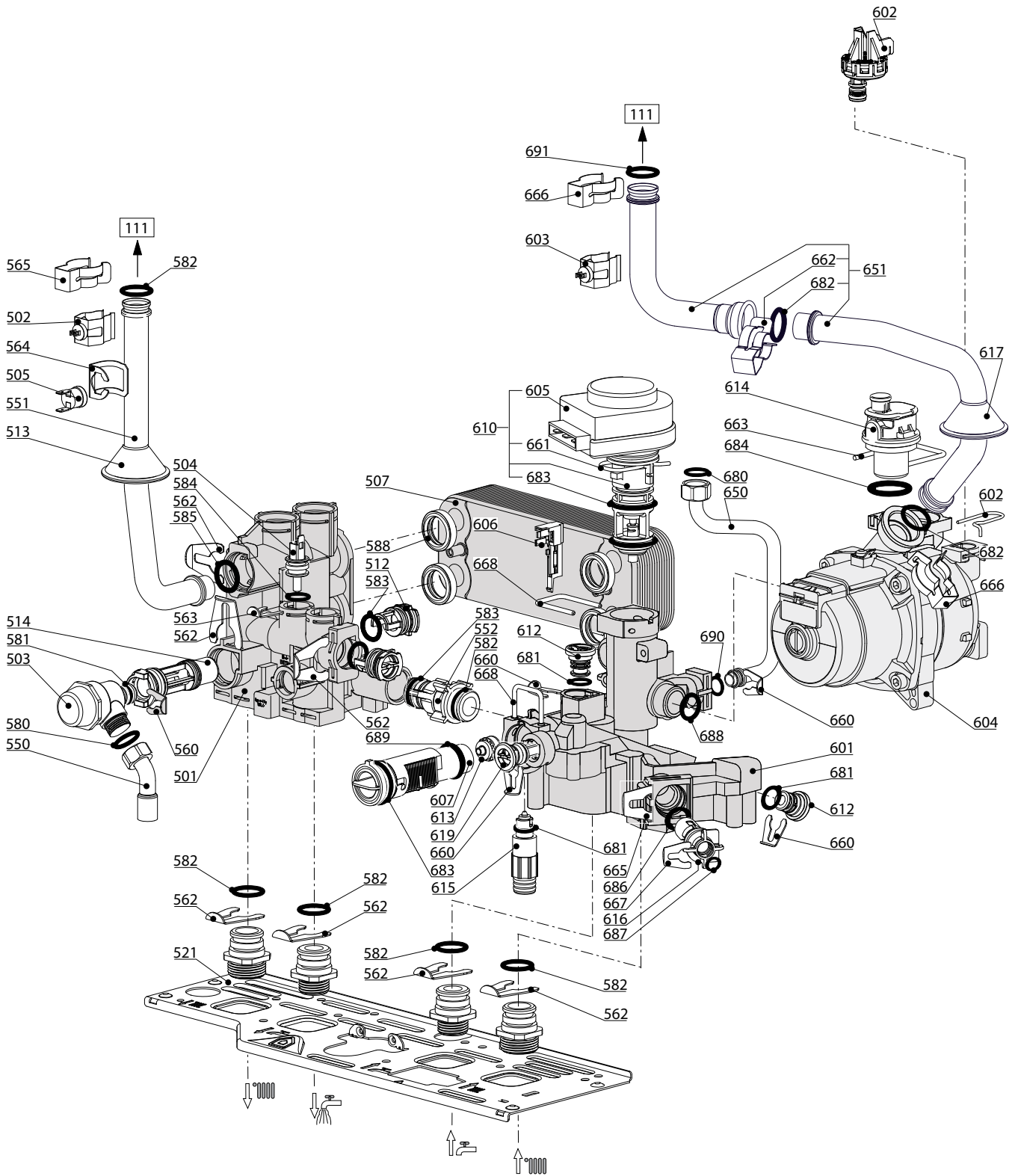
100  
200  
300  
400

MIRA C GREEN

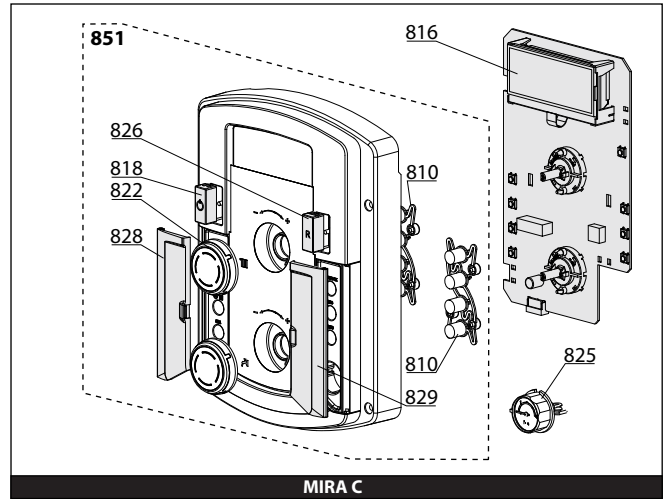
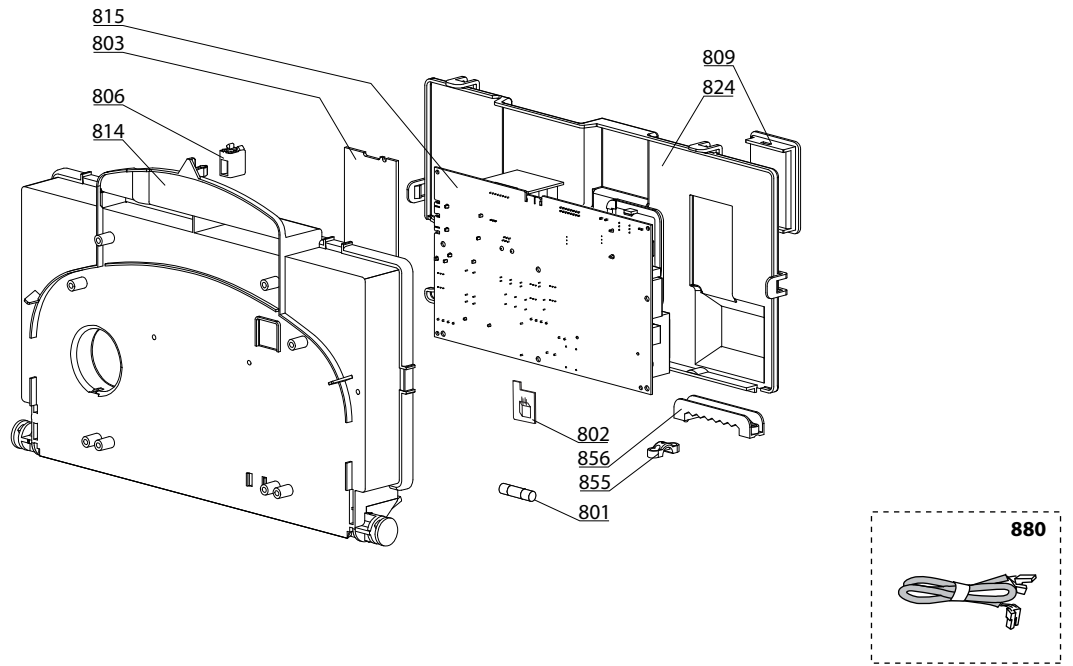
Domestic Gas Boilers



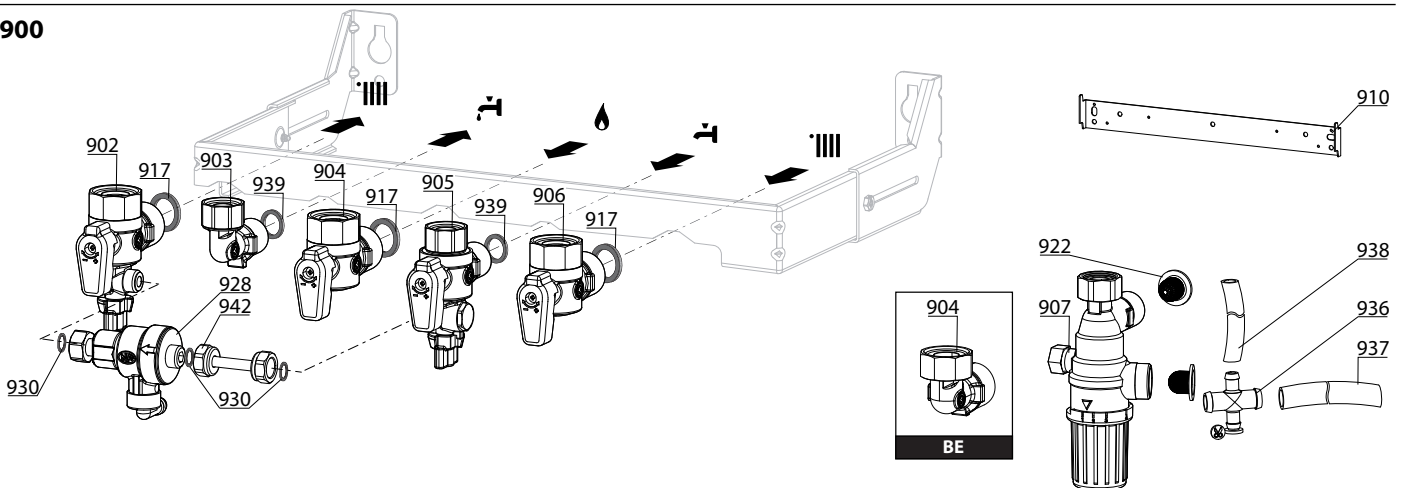
☺	Description	Manf. Pt. N	Type	<div style="text-align: right; border: 1px solid black; padding: 2px;"> </div>																		31
				1	2	3	4	5	6	7	8	9	10	11	12	13	14	15	16	17	18	
<b>0100</b>	<b>BURNER ASSEMBLY</b>																					
0101	IGNITION ELECTRODE	60000868-01		•	•	•																
0102	IONIZATION ELECTRODE	60000867-01		•	•	•																
0110	INSULATION (FRONTAL)	60000297		•	•	•																
0111	EXCHANGER 24KW	60000292		•																	08/11	
	EXCHANGER 30KW	60000293			•																08/11	
	EXCHANGER 35KW	60000294				•															08/11	
	EXCHANGER 30KW	65111606			•															09/11		
	EXCHANGER 35KW	65111607				•														09/11		
	EXCHANGER 18/24KW	65111608		•																09/11		
0114	BURNER 35KW	60000287-01				•																
	BURNER 18/24KW	60000288-01		•																		
	BURNER 30KW	60000289-01			•																	
0115	AIR SEPARATOR	60000994		•	•	•																
0116	DOOR ASSY	60000318		•	•	•															08/11	
	DOOR ASSY	65111604		•	•	•														09/11		
0117	TRAP	60000987		•	•	•																
0150	TUBE PVC D:19 L:500	60000976		•	•	•																
0151	OUTGOING CONDENSATION TUBE	60000858		•	•	•																
0152	SILICONE TUBE D: 8x1 L: 0.15M	60001013		•	•	•																
0171	GASKET D:80.6-1.8	60001610		•	•	•														09/11		
	GASKET D:85-66.5-2.5	61314753		•	•	•															08/11	
0172	ELECTRODE GASKET	60000286-01		•	•	•																
0173	DOOR GASKET	60000623		•	•	•																
0175	GASKET	60001609		•	•	•														09/11		
<b>0200</b>	<b>GAS SECTION</b>																					
0201	GAS VALVE	60000537		•	•	•																
0202	FAN ASSY	60000622		•	•	•																
0210	GAS RESTRICTOR D: 3.80	60000632	GPL	•																		
	GAS RESTRICTOR D: 4.50	60000633	GPL		•																	
	GAS RESTRICTOR D: 5.20	60000733	GPL			•																
0211	DUCT FIRST SECTION	60000290		•	•	•																
0212	VENTURI D: 17MM	60000536		•																		
	VENTURI D: 21	60000587				•																
	VENTURI D: 21	60000587					•													09/11		
	VENTURI D: 25	60000621					•														08/11	
0213	SILENCER	60000539		•	•	•															08/11	
	SILENCER	65111609		•	•	•														09/11		
0217	UNION (3/4)	65104326		•	•	•																
0218	UNION (1/2)	65104327		•	•	•																
0219	GROMMET	61010109		•	•	•																
0250	GAS TUBE	60000860		•																		
	GAS TUBE	60000974			•																	
	GAS TUBE	60000975				•																
0271	GASKET	61306072		•	•	•																
0282	SHEET GASKET D: 24-18.2-1.5	60022835-01		•	•	•																
0284	O-RING D: 17.76-1.78	61308092		•	•	•																
<b>0300</b>	<b>FAN ASSEMBLY</b>																					
0310	BI FLUX CONNECTION	60000523		•	•	•																
0312	FLUE INTAKE PLUG	65104295		•	•	•																
0370	SEALING RING 80mm	60000315		•	•	•																
0371	GASKET	60000316		•	•	•																
0373	GASKET	60000317		•	•	•																
<b>0400</b>	<b>SEALED CASE</b>																					
0401	EXPANSION VESSEL	65104261		•	•	•																
0412	SPRING FRONT PANEL (KIT)	65104298		•	•	•																
0413	AIR RETURN COVER	65104249		•	•	•																
0414	PANEL (FRONT - SEALED CHAMBER)	65105678		•	•	•																
0415	LEFT HAND PANEL	60000980			•	•																
	CASE PANEL (L.H. SIDE)	65105676		•																		
0416	RIGHT SIDE PANEL	60000979			•	•																
	CASE PANEL (R.H. SIDE)	65105677		•																		
0417	CASE PANEL (FRONT)	60000983		•	•	•																
0420	EXPANSION VESSEL SUPPORT	65104696		•	•	•																
0421	LONGERON 61mm	60001382		•	•																	
0470	CABLE INLET RUBBER WASHER	60000540		•	•	•																
0471	CABLE INLET RUBBER WASHER	60000541		•	•	•																



☉→	Description	Manf. Pt. N	Type	<div style="display: flex; justify-content: space-between; align-items: center;"> <div style="writing-mode: vertical-rl; transform: rotate(180deg); font-size: small;"> MIRA C GREEN 25  MIRA C GREEN 30  MIRA C GREEN 35 </div> <div style="border: 1px solid black; padding: 2px;">31</div> </div>																	
				1	2	3	4	5	6	7	8	9	10	11	12	13	14	15	16	17	18
<b>0500</b>	<b>FLOW GROUP</b>																				
0501	FLOW GROUP	60000844		•	•	•															
0502	TEMPERATURE PROBE + CLIP	990686		•	•	•															
0503	PRESSURE RELIEF VALVE 3 BAR	61312668		•	•	•															
0504	NTC PROBE	65104338		•	•	•															
0505	OVERHEAT THERMOSTAT 100C	61010572		•	•	•															
0507	WATER / WATER HEAT EXCHANGER 16	65104333		•	•	•															
0512	PLUG	65104445		•	•	•															
0513	GROMMET	61010109		•	•	•															
0514	BY-PASS	65104336		•	•	•															
0521	HYDRAULIC GROUP SUPPORT	60001375		•	•	•															
0550	PIPE (SAFETY VALVE)	65104447		•	•	•															
0551	HEATING FLOW TUBE	60000859		•	•																
	HEATING FLOW TUBE	60000981				•															
0552	BY-PASS PIPE	65104340		•	•	•															
0560	CLIP D:10	65104260		•	•	•															
0562	CLIP D=18	65104259		•	•	•															
0563	CLIP	65104339		•	•	•															
0564	CLIP	61010050		•	•	•															
0565	CLIP	60000309		•	•	•															
0580	SHEET GASKET D: 13.9-10.4-1.5	60061853-02		•	•	•															
0581	O - RING (15.88X2.62)	65104337		•	•	•															
0582	O-RING D: 17.86-2.62	61308091		•	•	•															
0583	O - RING (15.54X2.62)	65104325		•	•	•															
0584	O-RING D: 11.91-2.62	60000850		•	•	•															
0585	O-RING 3,53X17,04	65104262		•	•	•															
0588	EXCHANGER GASKET	65104334		•	•	•															
<b>0600</b>	<b>RETURN GROUP</b>																				
0601	RETURN GROUP	60000874		•	•	•															
0602	LOW PRESSURE SWITCH	65105090		•	•	•															
0603	TEMPERATURE PROBE + CLIP	990686		•	•	•															
0604	PUMP 6M 2V	60000591			•	•															
	PUMP 5M 2V	65104319		•																	
0605	MOTOR - THREE-WAY VALVE	61302483-01		•	•	•															
0606	SENSOR (REED)	65104323		•	•	•															
0607	FLOW METER	60000870		•	•	•															
0610	MOTOR + SPRING 3 WAY VALVE KIT	60001583		•	•	•															
0612	PLUG	65104377		•	•	•															
0613	RIDUCTORS (KIT)	65104318		•	•	•															
0614	AUTO AIR VENT WITH O-RING	65104703		•	•	•															
0615	KIT DRAIN SCREW	60001385		•	•	•															
0616	WATER FILTER	60001372		•	•	•															
0617	GROMMET	61010109		•	•	•															
0619	PLUG	65104377		•	•	•															
0650	PIPE (EXPANSION VESSEL)	60000718		•	•	•															
0651	HEATING RETURN TUBE	60000857		•	•	•															
0660	CLIP D:10	65104260		•	•	•															
0661	CLIP	65104332		•	•	•															
0662	CLIP	61307589		•	•	•															
0663	U-CLIP	65104704		•	•	•															
0664	CLIP	65104322		•	•	•															
0665	CLIP	65104331		•	•	•															
0666	CLIP	60000309		•	•	•															
0667	CLIP	65100680		•	•	•															
0668	CLIP	65104316		•	•	•															
0680	GASKET 3/8	573521		•	•	•															
0681	O - RING (9.19X2.62)	65104313		•	•	•															
0682	O-RING 3,53X17,04	65104262		•	•	•															
0683	O - RING (23.47X2.62)	65104315		•	•	•															
0684	O-RING	65104705		•	•	•															
0686	O - RING (15.54X2.62)	65104325		•	•	•															
0687	O RING D: 5.7-1.9	61009834-10		•	•	•															
0688	O - RING (21.89X2.62)	65104320		•	•	•															
0689	O-RING 17,17X1,78	65104303		•	•	•															
0690	O-RING D: 8.9-2.7	61009834-14		•	•	•															
0691	O-RING D: 17.86-2.62	61308091		•	•	•															



900



5000

5001	5002	5020
Transf. gaz > B/P	Transf. gaz > Nat	Options
Conv. gas > LPG	Conv. gas > Nat	Accessories
Trasf. gas > GPL	Trasf. gas > Met	Opzioni
Transf. gas > B/P	Transf. gas > Met	Accessorio
Umrustsatz > B/P	Umrustsatz > Nat	Option

☉	Description	Manf. Pt. N	Type	<div style="display: flex; justify-content: space-between; align-items: center;"> <div style="transform: rotate(-45deg); font-size: small;"> MIRA C GREEN 25  MIRA C GREEN 30  MIRA C GREEN 35 </div> <div style="border: 1px solid black; padding: 2px;">31</div> </div>																	
				1	2	3	4	5	6	7	8	9	10	11	12	13	14	15	16	17	18
<b>0800</b>	<b>ELECTRICAL BOX</b>																				
0801	FUSE 250V 2A	60054442		•	•	•															
0803	P.C.B (CLIP-IN) E-BUS	65109108		•	•	•															
0806	PUSH	65104228		•	•	•															
0807	IGNITER	61002105-20		•	•	•															
0809	INSPECTION COVER	65104294		•	•	•															
0810	PUSH BUTTON	60000978		•	•	•															
0814	CONTROL PANEL	65104300		•	•	•															
0815	P.C.B. (MAIN)	65109138-03		•	•	•															
0816	PRINTED CIRCUIT BOARD (DISPLAY)	60000760-01		•	•	•															
0818	PUSH BUTTON ON/OFF	60000809		•	•	•															
0821	PUSH BUTTON	60000835		•	•	•															
0822	KNOB	60000762		•	•	•															
0824	CONTROL PANEL COVER (REAR)	65104293		•	•	•															
0825	PRESSURE GAUGE	60000725		•	•	•															
0826	BUTTON (RESET)	60000806		•	•	•															
0828	LEFT HAND DOOR	60000761		•	•	•															
0829	RIGHT HAND DOOR	60000759		•	•	•															
0851	FRONT CONTROL PANEL COMPLETE	60000805		•	•	•															
0855	CABLE CLAMP	571562		•	•	•															
0856	CABLE CLAMP	65103377		•	•	•															
0880	ELECTRODE IGNITION CABLE	60000527		•	•	•															
	EARTH WIRE	65104286		•	•	•															
	DISPLAY WIRING	60000746	/ CN02	•	•	•															
	IGNITOR - GAS VALVE CABLE	60000543	/ CN03	•	•	•															
	NTC - OVERHEAT - PRESSURE SENSOR CABLE	60001135	/ CN04	•	•	•															
	IONIZATION ELECTRODE CABLE	60000567	/ CN05	•	•	•															
	THREE WAY VALVE CABLE	65104523	/ CN09	•	•	•															
	PUMP 2V CABLE 5M	65104520	/ CN10	•	•	•															
	CLIP-IN E-BUS WIRING	65105169	/ CN11	•	•	•															
	FLOW METER CABLE	60000813	/ CN14	•	•	•															
	FEEDER 240V	60000542	/ CN20	•	•	•															
	NTC PROBE - NTC EXCHANGER - FAN	60001234	/ CN22	•	•	•															
	ROOM THERMOSTAT CABLE	60000988	/ CN25	•	•	•															
<b>0900</b>	<b>JIG PLATE &amp; PIPE FITTING</b>																				
0902	WATER FLOW SERVICE TAP	60000886		•	•	•															
0903	HOT WATER CONNECTION	60000891		•	•	•															
0904	GAS SERVICE TAP	60000898		•	•	•															
	UNION	65105631		•	•	•															
0905	COLD WATER TAP	60000894		•	•	•															
0906	WATER FLOW & RETURN SERVI. TAP	60000885		•	•	•															
0907	THERMOSTATIC MIXING VALVE	60001081		•	•	•															
0910	WALL HOOK	60000625		•	•	•															
0917	SHEET GASKET D: 24-17-1.5	60061855-19		•	•	•															
0922	FILTER	60001087		•	•	•															
0928	DISCONNECTOR	60000881		•	•	•															
0930	SHEET GASKET D: 11-5-1.5	60061853-07		•	•	•															
0936	UNION	60000879		•	•	•															
0937	TUBE PVC D: 13x17 L: 1M	60081266-02		•	•	•															
0938	TUBE PVC D: 9x12 L: 1M	60081266		•	•	•															
0939	SHEET GASKET D: 16.5-11-1.5	60061854-14		•	•	•															
0942	FILLER NECK	60001078		•	•	•															
<b>5000</b>	<b>ACCESSORIES</b>																				
5001	BURNER JET FULL KIT (LPG)	60000752		•																	
	BURNER JET FULL KIT (LPG)	60000753			•																
	BURNER JET FULL KIT (LPG)	60000754				•															
5020	ROD PLATE	60000727		•																	
	CLEANING KIT CONDENSATION	60000982		•	•	•															
	ROD PLATE	60001000			•	•															
	AIR RETURN MANIFOLD	65104710		•	•	•															

## LIST OF THE ABBREVIATIONS

HW .....	: Hot water.
CW .....	: Cold water.
C .....	: Ceramic resistance (normal heating).
Ca .....	: Ceramic resistance (accelerated heating)
TP .....	: Immersion heater.
1F .....	: With fittings.
2F .....	: Without fittings.
3F .....	: With fittings and another outlet connection.
AMI .....	: With mixing valve.
SMI .....	: Without mixing valve.
PUISS .....	: Power of th appliance.
PN .....	: Appliance with normal pression.
LP .....	: Appliance with low pression.
PV .....	: Appliance with variable power.
PF .....	: Appliance with fixed power.

## IDENTIFICATION PLATE

### SERIAL NUMBER

<b>10 Characters :</b>	04 05 125 011		
		Sequential number	
		Manufacturing day	
		Year of manufacture	
<b>11 Characters :</b>	1 95 065004 - 31		
Month of manufacture :		Technical number of the appliance	
from 1 to 9 → Jan. to Sep.,		Sequential number	
O → Oct., N → Nov.,		Year of manufacture	
D → Dec.			
<b>19 Characters :</b>	08 05 0013199 900640031		
Year of manufacture		Product reference	
Month of manufacture		Sequential number	
<b>20 Characters :</b>	3675007 XX 2 07 070 00315		
Product reference		Sequential number	
Millenium of manufacture		Manufacturing day	
		Year of manufacture	
<b>21 Characters :</b>	3675007 XX 07 070 0000315		
Product reference		Sequential number	
Year of manufacture		Manufacturing day	

The indications mentioned on the prices, commercial or technical literature and the scheme are written for your guidance and are available at a given time. The CONSTRUCTOR retains the power to modify the presentation, the form, the size, the conception or the material of the products.