

SPARE PARTS EXPLODED VIEW GAS WALL BOILERS

Model

CENTORA GREEN

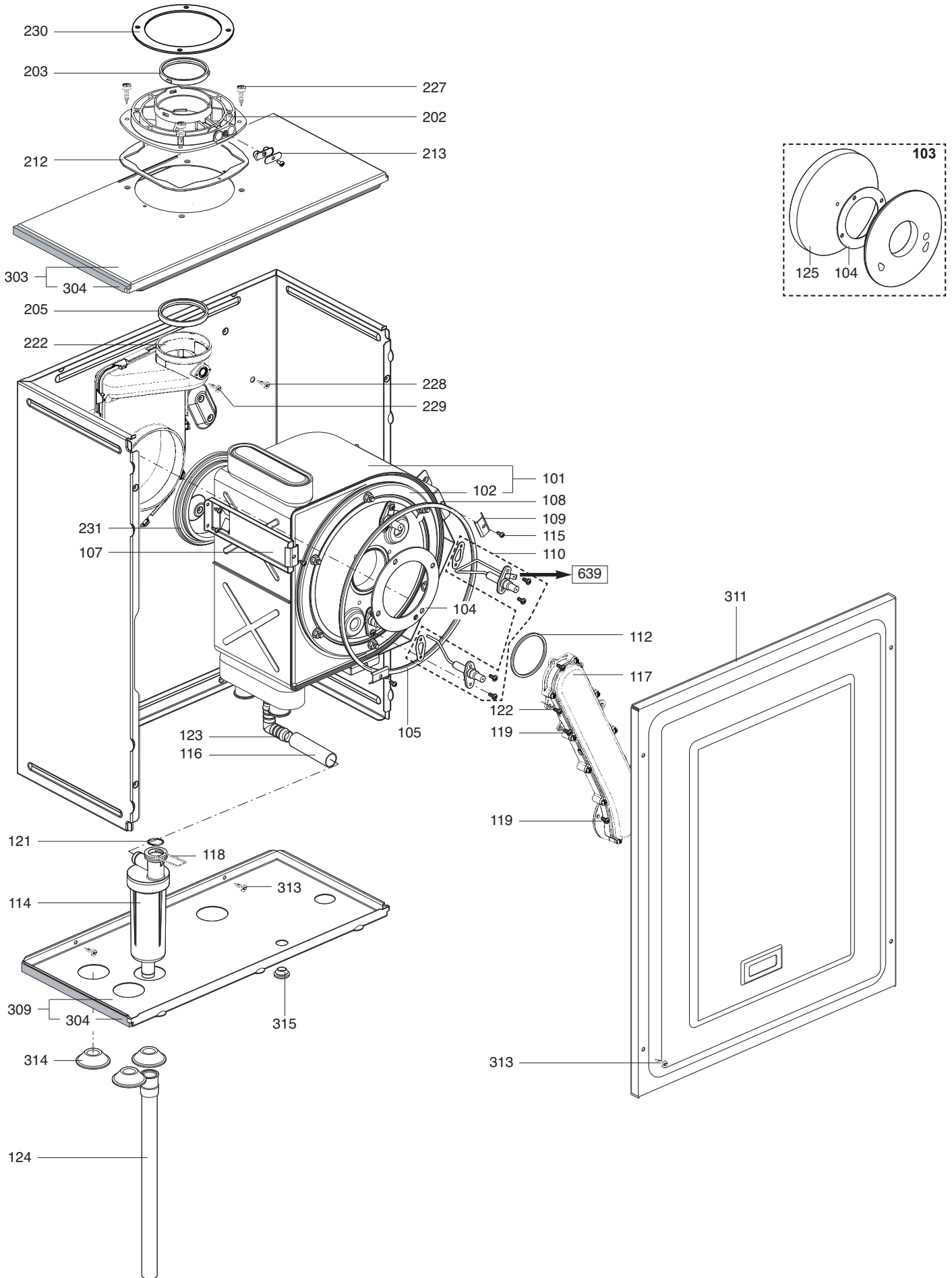
R8202642-07 - 23/03/2012

| 1 | 200 006 806 037 | CENTORA GREEN 2.24 NAT | 01/03 | 11/06 |
|-----|-----------------|------------------------|-------|-------|
| 2 | 200 007 806 037 | CENTORA GREEN 3.24 NAT | 01/03 | 11/06 |
| Col | Reference | Model type | Begin | End |

100
200
300

CENTORA GREEN

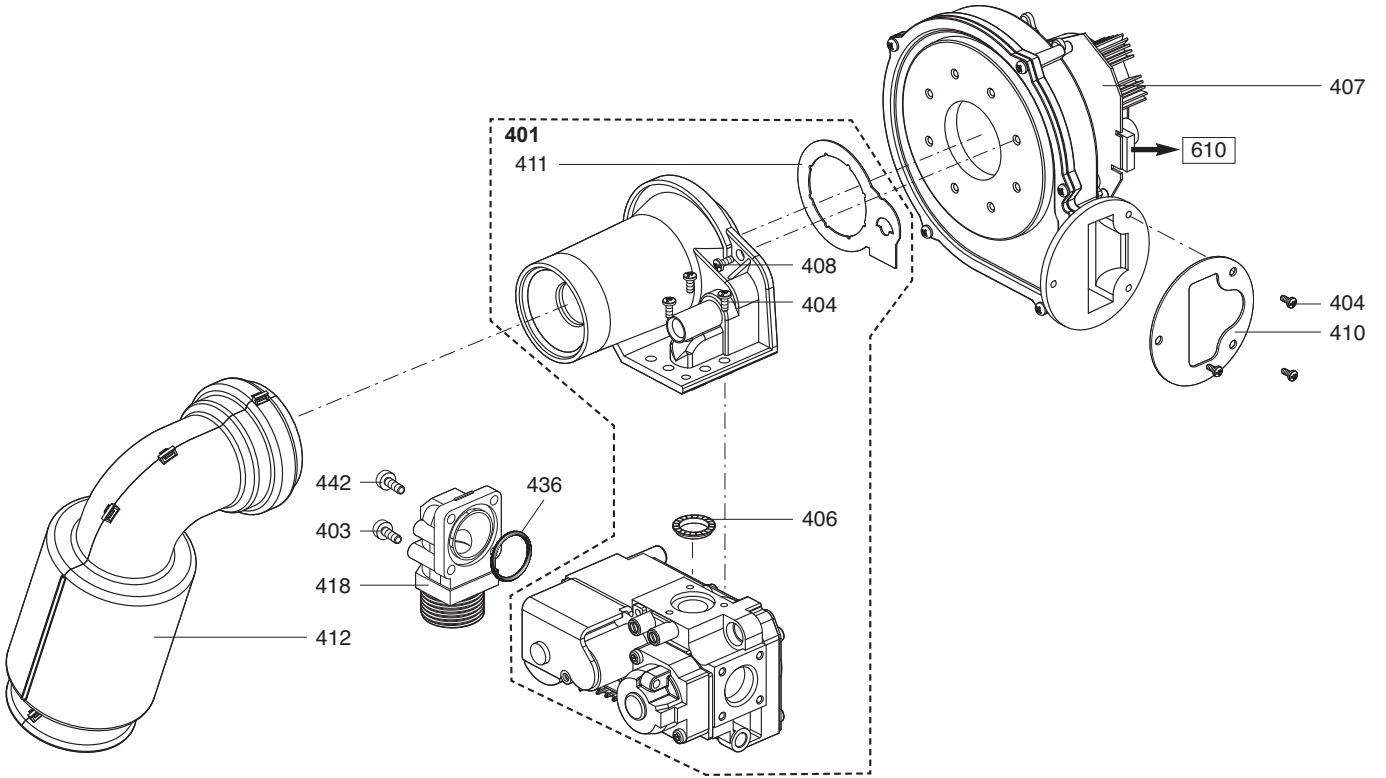
Domestic Gas Boilers

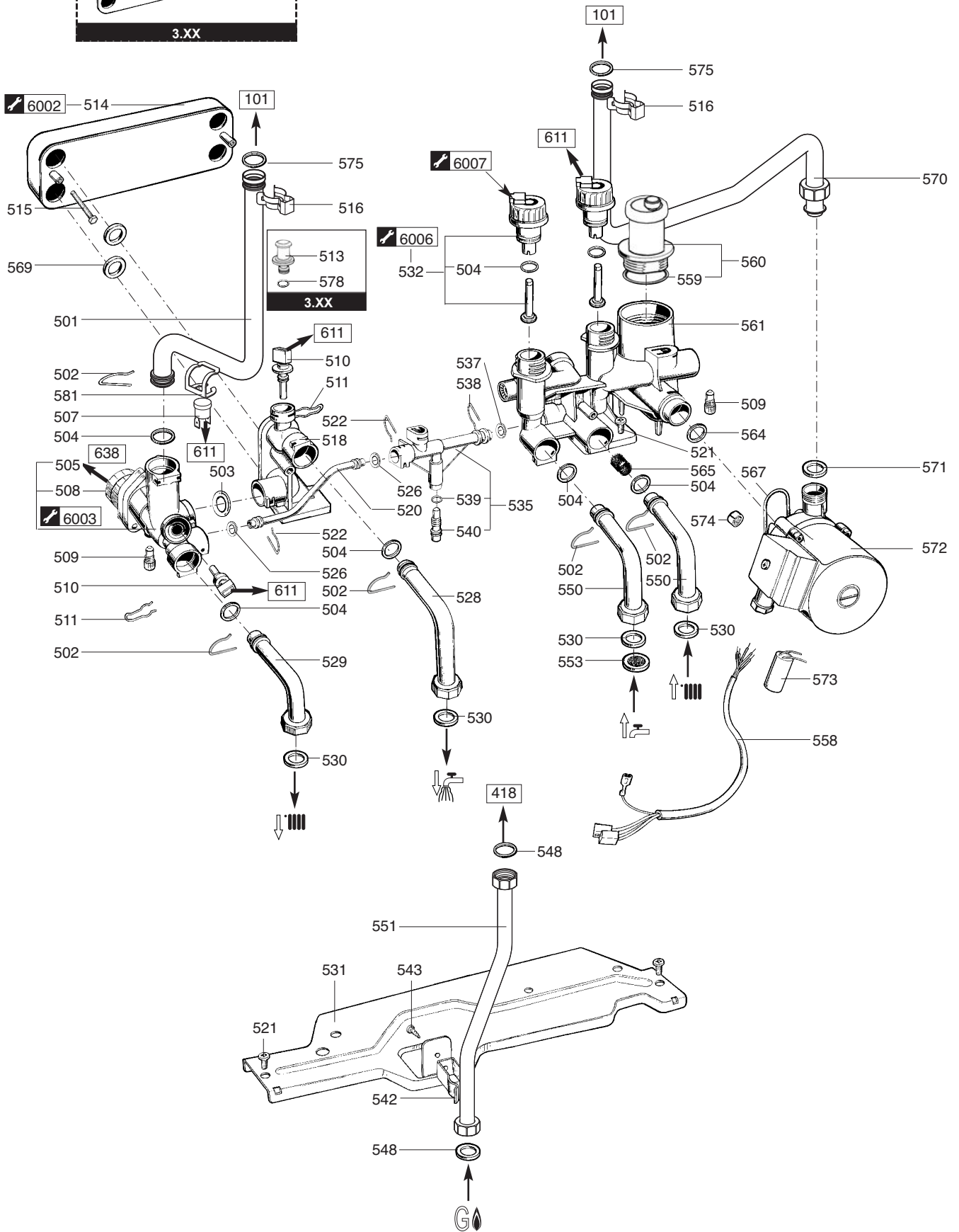
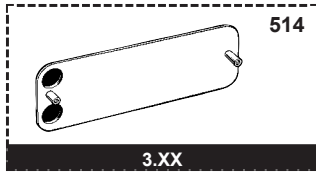


CENTORA GREEN 224 FF
CENTORA GREEN 324 FF

31

| Description | Manf. Pt. N | Type | | | | | | | | | | | | | | | | | | |
|------------------------------------|-------------|------|---|---|---|---|---|---|---|---|---|----|----|----|----|----|----|----|----|-------|
| | | | 1 | 2 | 3 | 4 | 5 | 6 | 7 | 8 | 9 | 10 | 11 | 12 | 13 | 14 | 15 | 16 | 17 | 18 |
| 0100 BURNER ASSEMBLY | | | | | | | | | | | | | | | | | | | | |
| 0101 BURNER 24KW | 61306074 | | • | • | | | | | | | | | | | | | | | | |
| 0102 DOOR ASSY 24KW | 61308492 | | • | • | | | | | | | | | | | | | | | | |
| 0103 COMBUSTION CHAMBER LINING KIT | 60000079 | | • | • | | | | | | | | | | | | | | | | |
| 0104 GASKET D:110-75-2 | 61309658 | | • | • | | | | | | | | | | | | | | | | |
| 0105 DOOR GASKET | 60001104 | | • | • | | | | | | | | | | | | | | | | |
| 0107 FIXING BRACKET | 61306181 | | • | • | | | | | | | | | | | | | | | | |
| 0108 FIXING BRACKET | 61306180 | | • | • | | | | | | | | | | | | | | | | |
| 0109 HOOKING BRACKET | 61306448 | | • | • | | | | | | | | | | | | | | | | |
| 0110 ELECTRODES | 61309624 | | • | • | | | | | | | | | | | | | | | | |
| 0112 WASHER D:65-59-2.6 | 61307588 | | • | • | | | | | | | | | | | | | | | | |
| 0114 TRAP | 61306078 | | • | • | | | | | | | | | | | | | | | | |
| 0115 TAPPING SCREW CBLX D: 4.2-9.5 | 61010125 | | • | • | | | | | | | | | | | | | | | | |
| 0116 SILICONE TUBE D: 21x2.5 L: 1M | 60081265-02 | | • | • | | | | | | | | | | | | | | | | |
| 0117 DUCT FIRST SECTION | 61306026 | | • | • | | | | | | | | | | | | | | | | |
| 0118 CLIP | 61306070 | | • | • | | | | | | | | | | | | | | | | |
| 0119 SCREW HX M 5-12 | 61010131 | | • | • | | | | | | | | | | | | | | | | |
| 0121 O-RING D: 17.76-1.78 | 61308092 | | • | • | | | | | | | | | | | | | | | | |
| 0122 SCREW D: 5-14 | 61308782 | | • | • | | | | | | | | | | | | | | | | |
| 0123 BARBED NIPLE 90DEG | 61309373 | | • | • | | | | | | | | | | | | | | | | |
| 0124 TUBE PVC D:21 L:500 | 61311628 | | • | • | | | | | | | | | | | | | | | | |
| 0125 PANEL (INSULATION - REAR) | 65103361 | | • | • | | | | | | | | | | | | | | | | |
| 0200 FAN ASSEMBLY | | | | | | | | | | | | | | | | | | | | |
| 0202 FLUE CONNECTION | 61309242 | | • | • | | | | | | | | | | | | | | | | 10/04 |
| FLUE CONNECTION | 61315055 | | • | • | | | | | | | | | | | | | | | | 11/04 |
| 0203 GASKET D:66-58.4-9 | 61310088 | | • | • | | | | | | | | | | | | | | | | |
| 0205 GASKET D:66.6 | 61306029 | | • | • | | | | | | | | | | | | | | | | |
| 0212 GASKET | 61300262 | | • | • | | | | | | | | | | | | | | | | |
| 0213 PLUG KIT | 61306698 | | • | • | | | | | | | | | | | | | | | | |
| 0222 OUTGOING FLUE BOX | 61306028 | | • | • | | | | | | | | | | | | | | | | |
| 0227 TAPPING SCREW CBLX D:4.2-12.5 | 61010847 | | • | • | | | | | | | | | | | | | | | | |
| 0228 TAPPING SCREW CBLX D: 6.3-13 | 61010648 | | • | • | | | | | | | | | | | | | | | | |
| 0229 TAPPING SCREW CBLX D: 4.2-9.5 | 61010125 | | • | • | | | | | | | | | | | | | | | | |
| 0230 GASKET (/ Flue bend turret) | 61300258 | | • | • | | | | | | | | | | | | | | | | |
| 0231 GASKET D:129.4 | 61306030 | | • | • | | | | | | | | | | | | | | | | |
| 0300 SEALED CASE | | | | | | | | | | | | | | | | | | | | |
| 0303 TOP PANEL BOX | 61305438 | | • | • | | | | | | | | | | | | | | | | |
| 0304 FOAM SEAL 12.5x5 L: 2.5M | 60081273 | | • | • | | | | | | | | | | | | | | | | |
| 0309 BASE - BOX | 61307613 | | • | • | | | | | | | | | | | | | | | | |
| 0311 CASE COVER | 60081851 | | • | • | | | | | | | | | | | | | | | | |
| 0313 TAPPING SCREW CBLX D:4.2-12.5 | 61010847 | | • | • | | | | | | | | | | | | | | | | |
| 0314 GROMMET | 61010109 | | • | • | | | | | | | | | | | | | | | | |
| 0315 GROMMET | 60039017 | | • | • | | | | | | | | | | | | | | | | |





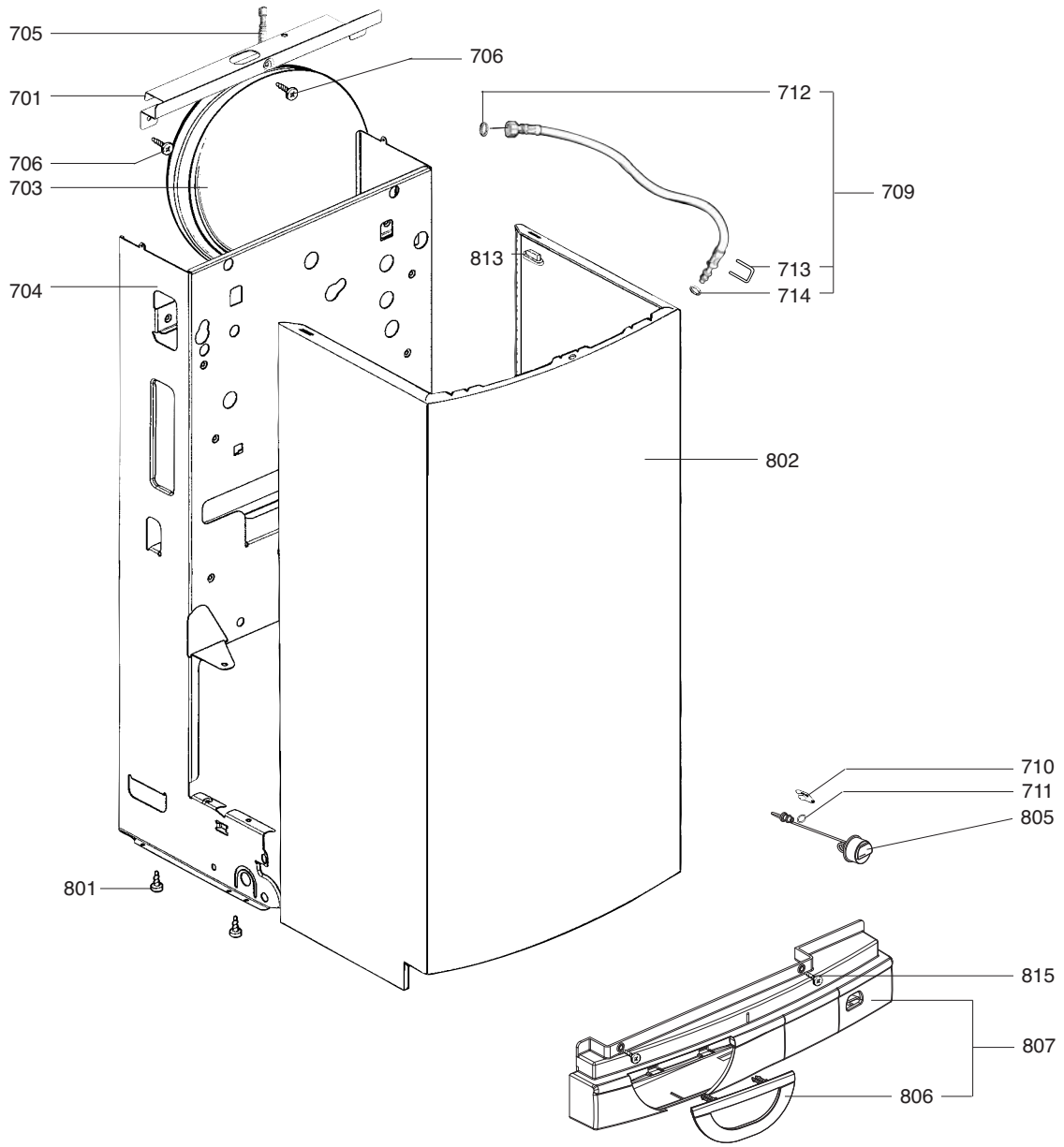
CENTORA GREEN 224 FF
CENTORA GREEN 324 FF

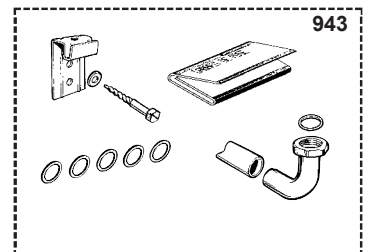
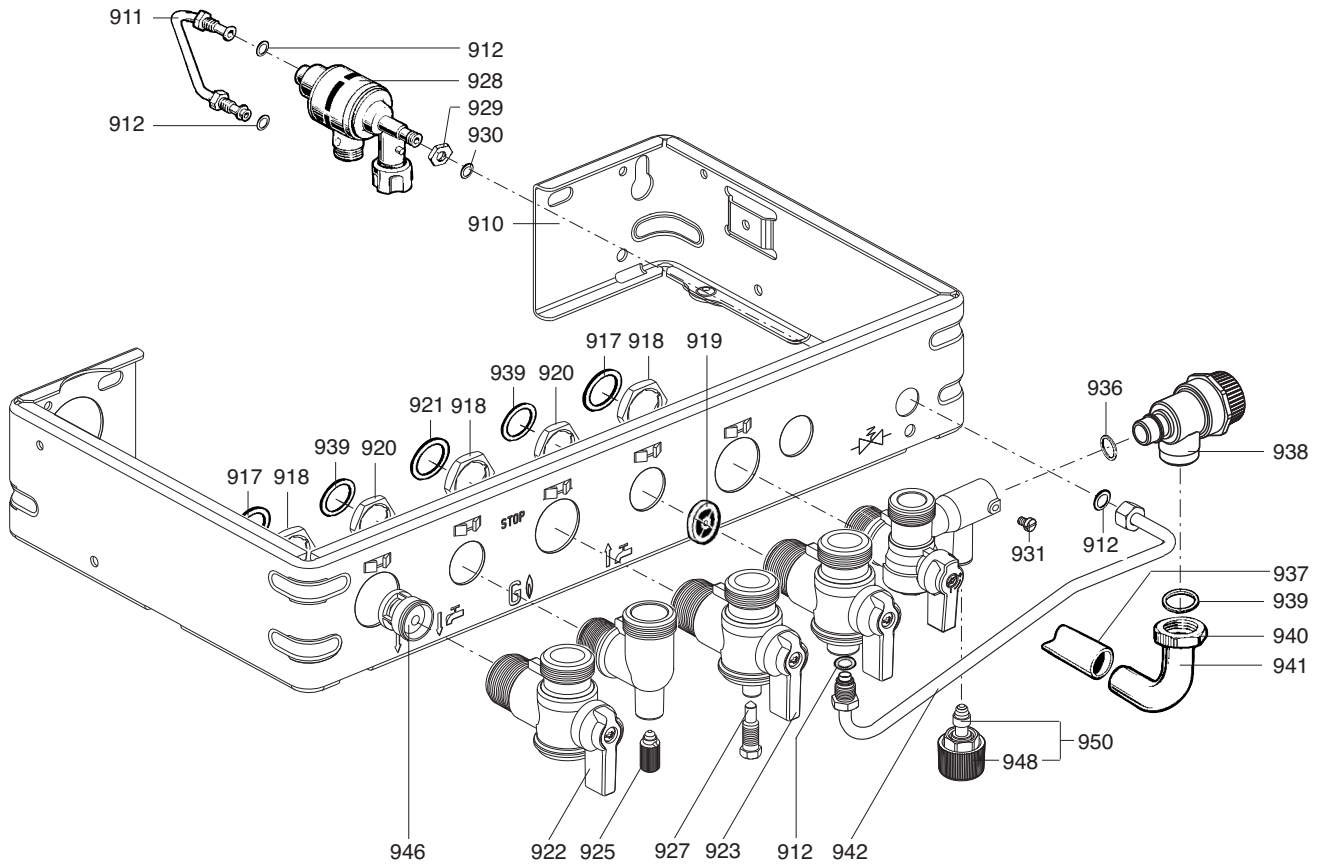
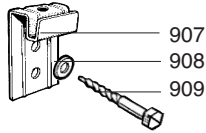
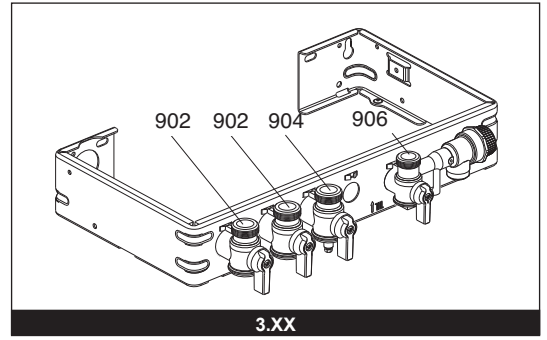
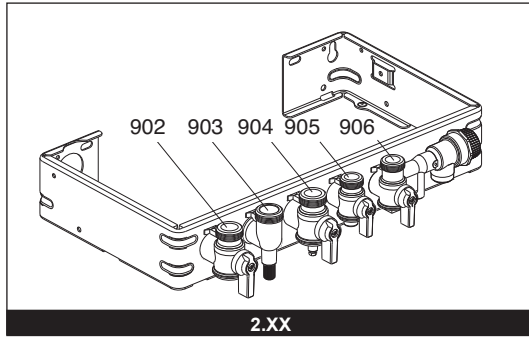
31

| ☉⇒ | Description | Manf. Pt. N | Type | | | | | | | | | | | | | | | | | | |
|------|---------------------------------|-------------|------|---|---|---|---|---|---|---|---|---|----|----|----|----|----|----|----|----|----|
| | | | | 1 | 2 | 3 | 4 | 5 | 6 | 7 | 8 | 9 | 10 | 11 | 12 | 13 | 14 | 15 | 16 | 17 | 18 |
| 0500 | HYDRAULIC BLOCK | | | | | | | | | | | | | | | | | | | | |
| 0501 | TUBE-EXCHAN TO THREE-WAY VALVE | 61307591 | | • | • | | | | | | | | | | | | | | | | |
| 0502 | CLIP | 61010012 | | • | • | | | | | | | | | | | | | | | | |
| 0503 | O-RING D: 18.4-2.7 | 60024164-22 | | • | • | | | | | | | | | | | | | | | | |
| 0504 | O-RING D: 17-4 | 60024164-51 | | • | • | | | | | | | | | | | | | | | | |
| 0505 | THREE-WAY VALVE | 61010000 | | • | • | | | | | | | | | | | | | | | | |
| 0507 | OVERHEAT THERMOSTAT 100C | 61010572 | | • | • | | | | | | | | | | | | | | | | |
| 0508 | MOTOR - THREE-WAY VALVE | 60081953 | | • | • | | | | | | | | | | | | | | | | |
| 0509 | DRAIN SCREW ASSY | 60081028 | | • | • | | | | | | | | | | | | | | | | |
| 0510 | THERMISTOR TEMP. SENSOR | 61000733 | | • | • | | | | | | | | | | | | | | | | |
| 0511 | TEMPERATURE SENSOR CLIP | 61002083 | | • | • | | | | | | | | | | | | | | | | |
| 0513 | PLUG | 61010485 | | | • | | | | | | | | | | | | | | | | |
| 0514 | SHUNT PLATE | 61010611 | | | • | | | | | | | | | | | | | | | | |
| | WATER / WATER HEAT EXCHANGER 14 | 61011164 | | • | | | | | | | | | | | | | | | | | |
| 0515 | SCREW CBLX M 5-40 | 61010129 | | • | • | | | | | | | | | | | | | | | | |
| 0516 | CLIP | 61307589 | | • | • | | | | | | | | | | | | | | | | |
| 0518 | LEFT HAND HYDRAULIC BLOCK | 61010003 | | • | • | | | | | | | | | | | | | | | | |
| 0520 | BYPASS TUBE | 61010044 | | • | • | | | | | | | | | | | | | | | | |
| 0521 | TAPPING SCREW CBLX D: 6.3-19 | 61010127 | | • | • | | | | | | | | | | | | | | | | |
| 0522 | CLIP | 61010005 | | • | • | | | | | | | | | | | | | | | | |
| 0526 | O-RING D: 8.9-2.7 | 61009834-14 | | • | • | | | | | | | | | | | | | | | | |
| 0528 | HOT WATER BEND | 61010056 | | • | • | | | | | | | | | | | | | | | | |
| 0529 | HEATING FLOW BEND | 61010057 | | | • | | | | | | | | | | | | | | | | |
| | HEATING FLOW BEND | 61303393 | | • | | | | | | | | | | | | | | | | | |
| 0530 | SHEET GASKET D: 24-17-1.5 | 60061855-19 | | • | • | | | | | | | | | | | | | | | | |
| 0531 | HYDRAULIC PLATE | 61010042 | | • | • | | | | | | | | | | | | | | | | |
| 0532 | WATER THROTTLE | 60081471 | | • | • | | | | | | | | | | | | | | | | |
| 0535 | BYPASS BODY | 61016387 | | • | • | | | | | | | | | | | | | | | | |
| 0537 | O-RING D: 13.6-2.7 | 60024164-18 | | • | • | | | | | | | | | | | | | | | | |
| 0538 | CLIP | 61010112 | | • | • | | | | | | | | | | | | | | | | |
| 0539 | O-RING D: 1.9-8 | 61009833-34 | | • | • | | | | | | | | | | | | | | | | |
| 0540 | ADJUSTING SCREW OF BY-PASS | 61010111 | | • | • | | | | | | | | | | | | | | | | |
| 0542 | CLIP | 60079845 | | • | • | | | | | | | | | | | | | | | | |
| 0543 | TAPPING SCREW CBLX D: 4.2-9.5 | 61010125 | | • | • | | | | | | | | | | | | | | | | |
| 0548 | SHEET GASKET D: 24-18.2-1.5 | 60022835-01 | | • | • | | | | | | | | | | | | | | | | |
| 0550 | BEND RETURN | 61010055 | | • | • | | | | | | | | | | | | | | | | |
| 0551 | GAS TUBE | 61307590 | | • | • | | | | | | | | | | | | | | | | |
| 0553 | WATER FILTER | 61007727 | | • | | | | | | | | | | | | | | | | | |
| 0558 | PUMP LEAD (2 SPEEDS) | 61004115 | | • | • | | | | | | | | | | | | | | | | |
| 0559 | O-RING D: 45-3.5 | 61009833-46 | | • | • | | | | | | | | | | | | | | | | |
| 0560 | AIR SEPARATOR HEAD ASSEMBLY | 61002653 | | • | • | | | | | | | | | | | | | | | | |
| 0561 | RIGHT HAND HYDRAULIC BLOCK | 61010167 | | • | • | | | | | | | | | | | | | | | | |
| 0564 | O-RING D: 24.6-3.6 | 61009834-30 | | • | • | | | | | | | | | | | | | | | | |
| 0565 | HEATING FILTER | 61305560 | | • | • | | | | | | | | | | | | | | | | |
| 0567 | CLIP | 60030898-03 | | • | • | | | | | | | | | | | | | | | | |
| 0569 | EXCHANGER GASKET | 65104334 | | • | • | | | | | | | | | | | | | | | | |
| 0570 | HEATING RETURN TUBE | 61307592 | | • | • | | | | | | | | | | | | | | | | |
| 0571 | O-RING D: 16-1.9 | 61009833-37 | | • | • | | | | | | | | | | | | | | | | |
| 0572 | PUMP UP 15/50 230V | 61010612 | | • | • | | | | | | | | | | | | | | | | |
| 0573 | CAPACITOR | 61000652-10 | | • | • | | | | | | | | | | | | | | | | |
| 0574 | PLUG M 10-100 | 60015709 | | • | • | | | | | | | | | | | | | | | | |
| 0575 | O-RING D: 17.86-2.62 | 61308091 | | • | • | | | | | | | | | | | | | | | | |
| 0578 | O-RING D: 5.7-1.9 | 60024164-10 | | • | • | | | | | | | | | | | | | | | | |
| 0581 | CLIP | 61010050 | | • | • | | | | | | | | | | | | | | | | |

CENTORA GREEN

Domestic Gas Boilers



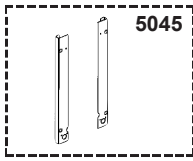
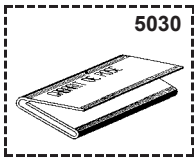


CENTORA GREEN 224 FF
CENTORA GREEN 324 FF

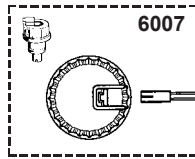
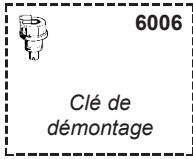
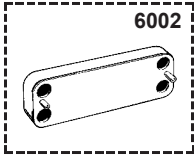
31

| ☉⇒ | Description | Manf. Pt. N | Type | | | | | | | | | | | | | | | | | | |
|------|--------------------------------------|-------------|------|---|---|---|---|---|---|---|---|---|----|----|----|----|----|----|-------|----|----|
| | | | | 1 | 2 | 3 | 4 | 5 | 6 | 7 | 8 | 9 | 10 | 11 | 12 | 13 | 14 | 15 | 16 | 17 | 18 |
| 0900 | JIG PLATE & PIPE FITTING | | | | | | | | | | | | | | | | | | | | |
| 0902 | WATER FLOW SERVICE TAP | 61020388 | | • | • | | | | | | | | | | | | | | | | |
| 0903 | HOT WATER CONNECTION | 61020916 | | • | | | | | | | | | | | | | | | | | |
| 0904 | GAS SERVICE TAP | 61020389 | | • | • | | | | | | | | | | | | | | | | |
| 0905 | COLD WATER TAP | 61302612 | | • | | | | | | | | | | | | | | | | | |
| 0906 | WATER RETURN SERVICE TAP | 61302614 | | • | • | | | | | | | | | | | | | | | | |
| 0907 | WALL HOOK | 61002497 | | • | • | | | | | | | | | | | | | | | | |
| 0908 | WASHER D: 14.2-7.2-1.2 | 60005369-03 | | • | • | | | | | | | | | | | | | | | | |
| 0909 | WOOD SCREW | 60025617-03 | | • | • | | | | | | | | | | | | | | | | |
| 0911 | DISCONNECTOR TUBE | 61010065 | | • | | | | | | | | | | | | | | | | | |
| 0912 | O-RING D: 6-1 | 60024164-41 | | • | | | | | | | | | | | | | | | | | |
| 0917 | SHEET GASKET D: 24-17-1.5 | 60061855-19 | | • | • | | | | | | | | | | | | | | | | |
| 0918 | LOCK NUT | 60031140 | | • | • | | | | | | | | | | | | | | | | |
| 0919 | FLOW REGULATORE 7L/MIN(DARK GREEN) | 61002775-07 | | • | | | | | | | | | | | | | | | | | |
| | FLOW REGULATORE 8L/MIN (WHITE) | 61002775-08 | | • | | | | | | | | | | | | | | | | | |
| | FLOW REGULATORE 10L/MIN (BLUE) | 61002775-10 | | • | | | | | | | | | | | | | | | | | |
| | FLOW REGULATORE 12L/MIN (RED) | 61002775-12 | | • | | | | | | | | | | | | | | | | | |
| | FLOW REGULATORE 14L/MIN (PINK) | 61002775-14 | | • | | | | | | | | | | | | | | | | | |
| | FLOW REGULATORE 15L/MIN (PALE GREEN) | 61002775-15 | | • | | | | | | | | | | | | | | | | | |
| 0920 | CONTRODADO H 1/2 | 60031139 | | • | | | | | | | | | | | | | | | | | |
| 0921 | SHEET GASKET D: 24-18.2-1.5 | 60022835-01 | | • | • | | | | | | | | | | | | | | | | |
| 0922 | HAND LEVER BLACK | 61302611 | | • | • | | | | | | | | | | | | | | | | |
| 0923 | HAND LEVER YELLOW | 61302610 | | • | • | | | | | | | | | | | | | | | | |
| 0925 | DRAIN SCREW ASSY | 60081028 | | • | | | | | | | | | | | | | | | | | |
| 0927 | PRESSURE TEST POINT SCREW | 61016378 | | • | • | | | | | | | | | | | | | | | | |
| 0928 | DISCONNECTOR KIT | 60081664 | | • | | | | | | | | | | | | | | | | | |
| 0929 | NUT H M 10-1 | 60031825-08 | | • | | | | | | | | | | | | | | | | | |
| 0930 | SHEET GASKET D: 8.5-4.1-1.5 | 60061852-12 | | • | | | | | | | | | | | | | | | | | |
| 0931 | GRUB SCREW | 61304327 | | • | • | | | | | | | | | | | | | | | | |
| 0936 | O-RING D: 13.6-2.7 | 61009834-18 | | • | • | | | | | | | | | | | | | | | | |
| 0937 | TUBE PVC D: 13x17 L: 1M | 60081266-02 | | • | • | | | | | | | | | | | | | | | | |
| 0938 | PRESSURE RELIEF VALVE | 61020933 | | • | • | | | | | | | | | | | | | | | | |
| 0939 | WASHER D: 18.4-12.2-1.5 | 60061855-14 | | • | • | | | | | | | | | | | | | | | | |
| 0940 | NUT 1/2» THICK: 10 | 60020747-38 | | • | • | | | | | | | | | | | | | | | | |
| 0941 | CONNECTING PIPE | 61010430 | | • | • | | | | | | | | | | | | | | | | |
| 0942 | FILLER NECK | 61020885 | | • | | | | | | | | | | | | | | | | | |
| 0943 | ACCESSORY KIT | 61010324 | | • | | | | | | | | | | | | | | | | | |
| 0946 | NON-RETURN VALVE | 61014425 | | • | | | | | | | | | | | | | | | | | |
| 0948 | GREY KNOB | 61302613 | | • | • | | | | | | | | | | | | | | | | |
| 0950 | TAP HEAD | 61314798 | | • | • | | | | | | | | | | | | | | 01/04 | | |

5000



6000



LIST OF THE ABBREVIATIONS

| | |
|-------------|--|
| HW | : Hot water. |
| CW | : Cold water. |
| C | : Ceramic resistance (normal heating). |
| Ca | : Ceramic resistance (accelerated heating) |
| TP | : Immersion heater. |
| 1F | : With fittings. |
| 2F | : Without fittings. |
| 3F | : With fittings and another outlet connection. |
| AMI | : With mixing valve. |
| SMI | : Without mixing valve. |
| PUISS | : Power of th appliance. |
| PN | : Appliance with normal pression. |
| LP | : Appliance with low pression. |
| PV | : Appliance with variable power. |
| PF | : Appliance with fixed power. |

IDENTIFICATION PLATE

SERIAL NUMBER

| | | |
|--|---------------------------|---|
| 10 Characters : | 04 05 125 011 | Sequential number Manufacturing day Year of manufacture |
| 11 Characters : | 1 95 065004 - 31 | Technical number of the appliance Sequential number Year of manufacture |
| Month of manufacture : from 1 to 9 → Jan. to Sep., O → Oct., N → Nov., D → Dec. | | |
| 19 Characters : | 08 05 0013199 900640031 | Product reference Sequential number |
| Year of manufacture Month of manufacture | | |
| 20 Characters : | 3675007 XX 2 07 070 00315 | Sequential number Manufacturing day Year of manufacture |
| Product reference Millenium of manufacture | | |
| 21 Characters : | 3675007 XX 07 070 0000315 | Sequential number Manufacturing day |
| Product reference Year of manufacture | | |

The indications mentioned on the prices, commercial or technical literature and the scheme are written for your guidance and are available at a given time. The CONSTRUCTOR retains the power to modify the presentation, the form, the size, the conception or the material of the products.