

# SPARE PARTS EXPLODED VIEW GAS-WALL CONDENSING BOILERS

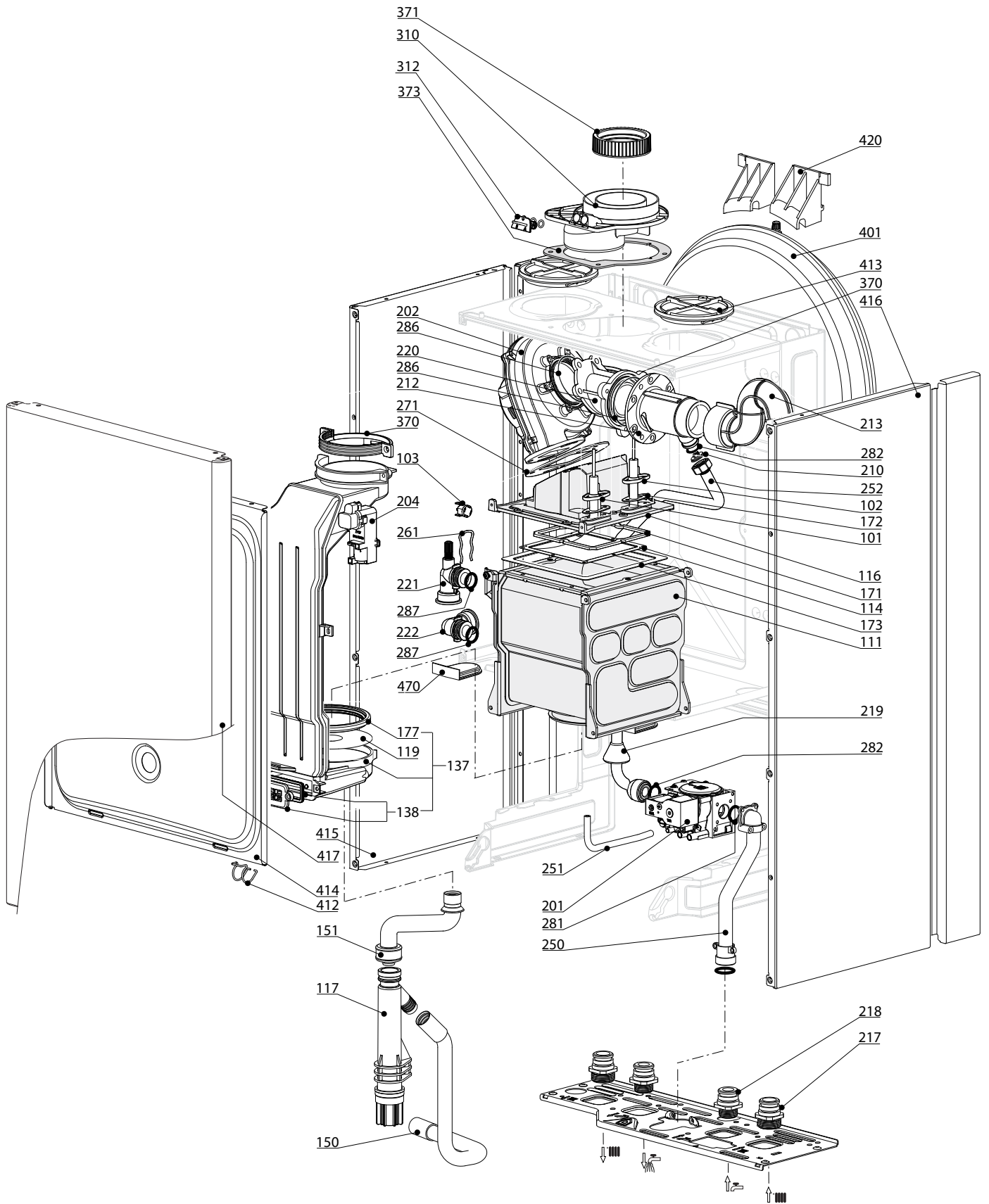
Model

## **ALIXIA GREEN**

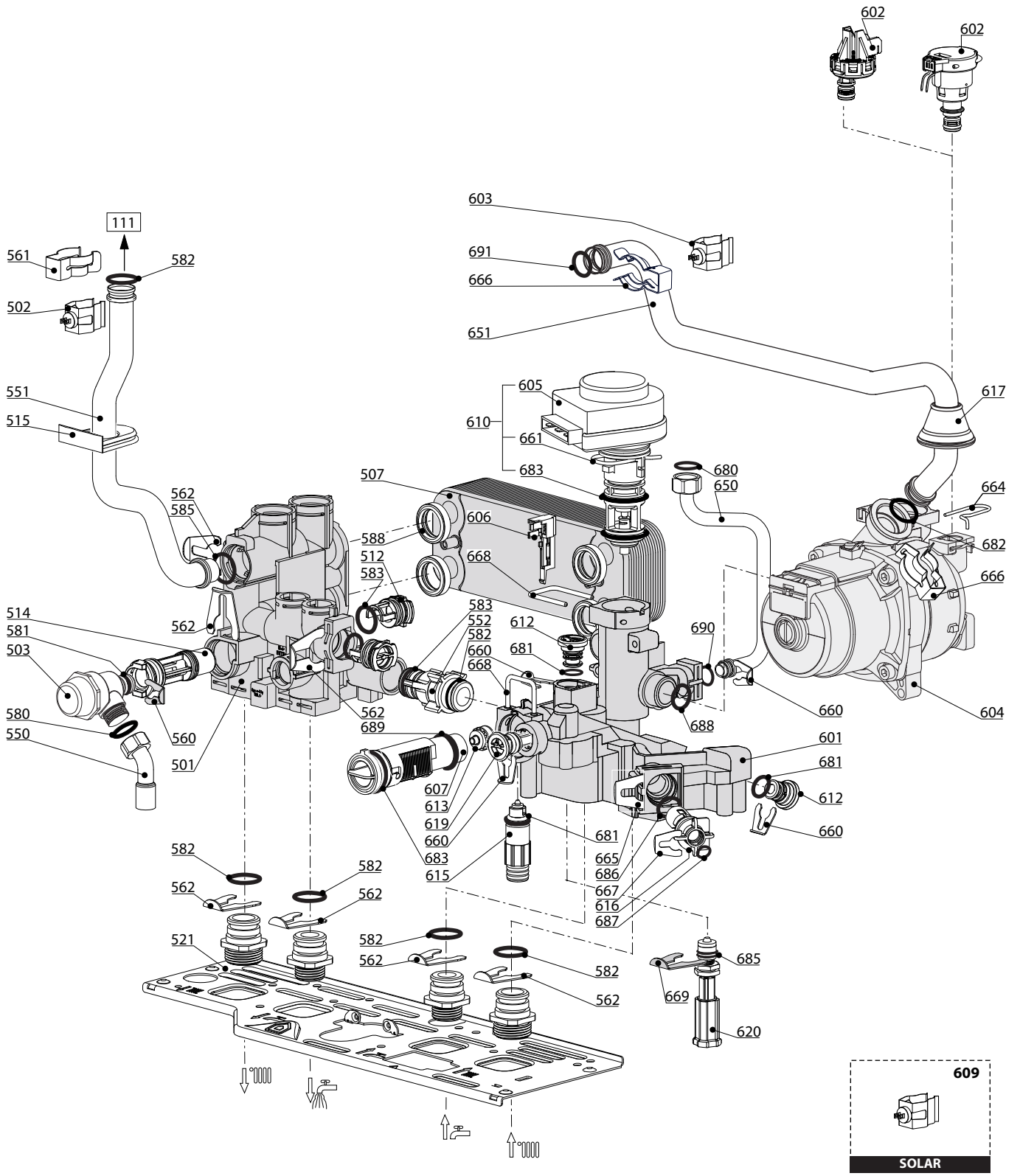
R8203357-03 - 18/10/2013

1	3310300	ALIXIA GREEN 24 FR BE
2	3310301	ALIXIA GREEN 29 FR BE

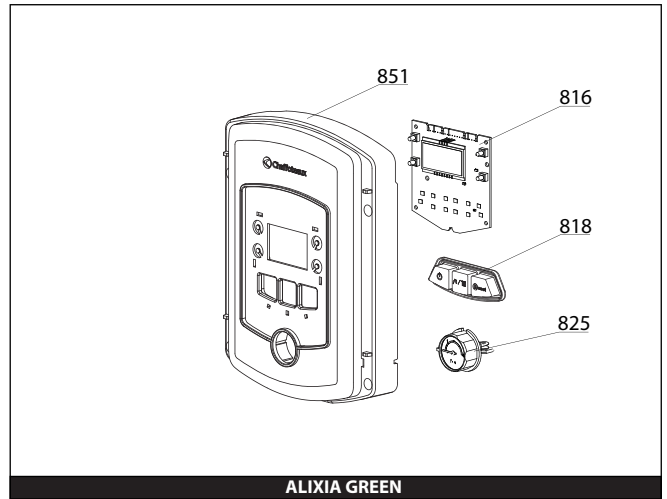
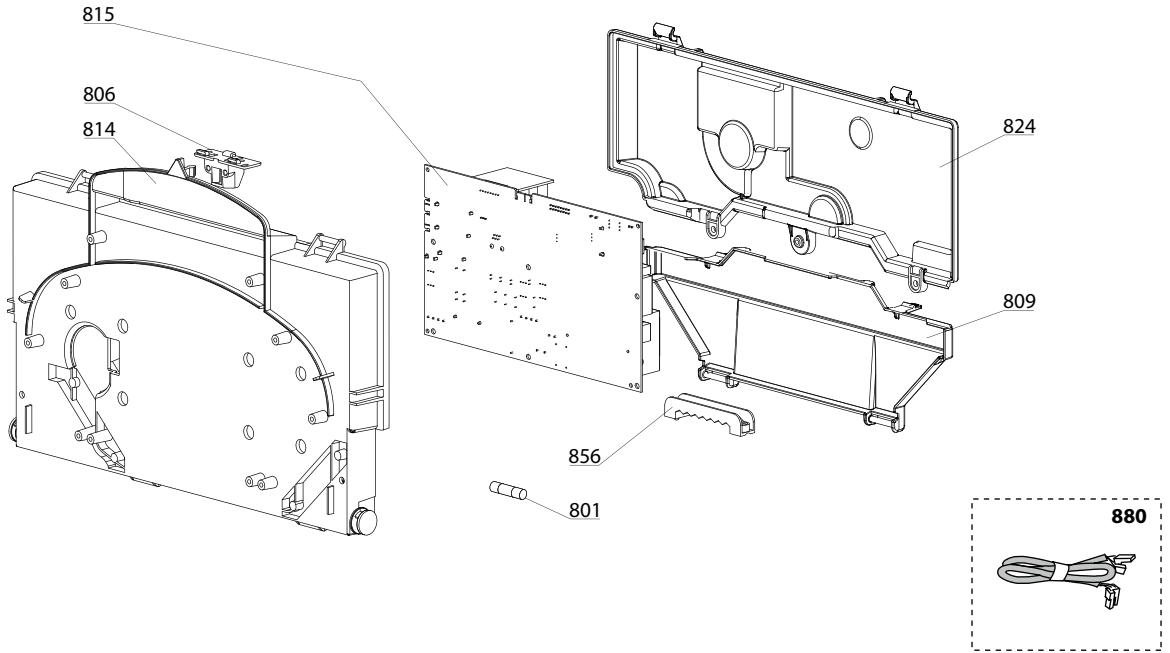
Col	Reference	Model type	Begin	End
-----	-----------	------------	-------	-----



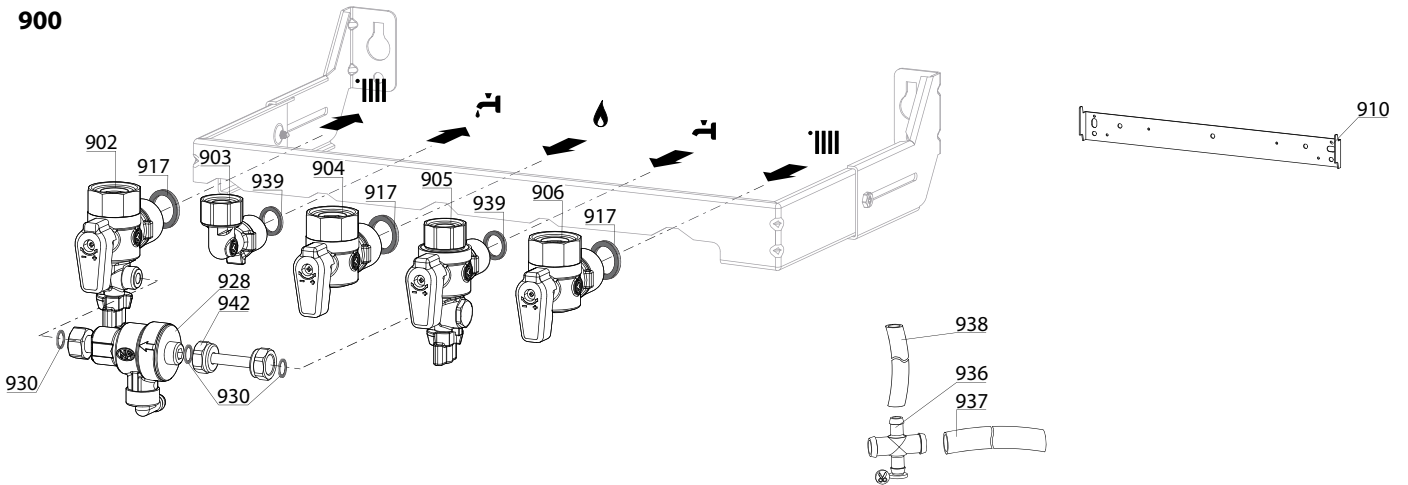
☉	Description	Manf. Pt. N	Type	ALIXIA GREEN 24 ALIXIA GREEN 20																	
				1	2	3	4	5	6	7	8	9	10	11	12	13	14	15	16	17	18
	<b>0100 BURNER ASSEMBLY</b>																				
	0101 IGNITION ELECTRODE	60001872		•	•																
	0102 IONIZATION ELECTRODE	60001873		•	•																
	0103 OVERHEAT THERMOSTAT 95C	61008586		•	•																
	0111 EXCHANGER 24KW	60001865		•																	
	EXCHANGER 30KW	60001288			•																
	0114 BURNER 24KW	60001851		•																	
	BURNER 30KW	60001289			•																
	0116 CONDENSER COVER 24KW	60001866		•																	
	CONDENSER COVER 30KW	60001290			•																
	0117 TRAP	60000987		•	•																
	0119 RESTRICTOR D: 30	60001858		•																	
	RESTRICTOR D: 37	60001291			•																
	0137 FLUE DUCT FIRST SECTION	60001854		•	•																
	0138 COVER	60001855		•	•																
	0150 TUBE PVC D:19 L:500	60000976		•	•																
	0151 FLEXIBLE PIPE	60001876		•	•																
	0171 GASKET (/COVER 24KW)	60001863		•																	
	GASKET (/COVER 30KW)	60001292			•																
	0172 ELECTRODE GASKET	60000286-01		•	•																
	0173 GASKET (/Burner 24KW)	60001864		•																	
	GASKET (/Burner 30KW)	60001293			•																
	0177 GASKET (/Heat exchanger)	60001874		•	•																
	<b>0200 GAS SECTION</b>																				
	0201 GAS VALVE	60001612		•	•																
	0202 FAN ASSY	60001869		•	•																
	0204 IGNITER	60001871		•	•																
	0210 GAS RESTRICTOR D: 4.70	60001950		•																	
	GAS RESTRICTOR D: 5.70	60001940			•																
	0212 VENTURI D: 17MM	60001941		•																	
	VENTURI D: 25MM	60001942			•																
	0213 SILENCER	60001852		•	•																
	0217 UNION (3/4)	65104326		•	•																
	0218 UNION (1/2)	65104327		•	•																
	0219 RUBBER	65103362		•	•																
	0220 GAS CONNECTION	60001862		•	•																
	0221 HEATING FLOW CONNECTION	60001868-01		•	•																
	0222 HEATING RETURN CONNECTION	60001867-01		•	•																
	0250 GAS TUBE	60001614		•	•																
	0251 SILICONE PIPE	60001613		•	•																
	0252 GAS TUBE	60001860		•	•																
	0261 CLIP D:18	60001879		•	•																
	0271 GASKET	60001870		•	•																
	0281 O-RING 22,22X2,62	65104304		•	•																
	0282 SHEET GASKET D: 24-18.2-1.5	60022835-01		•	•																
	0286 GASKET	60001878		•	•																
	0287 O-RING D: 20.22-3.53	60001880		•	•																
	<b>0300 FAN ASSEMBLY</b>																				
	0310 BI FLUX CONNECTION	60001857		•	•																
	0312 FLUE INTAKE PLUG	65104295		•	•																
	0370 GASKET (/Connection)	60001875		•	•																
	0371 GASKET	60000316		•	•																
	0373 GASKET	60000317		•	•																
	<b>0400 SEALED CASE</b>																				
	0401 EXPANSION VESSEL	65104261		•	•																
	0412 SPRING FRONT PANEL (KIT)	65107048		•	•																
	0413 AIR RETURN COVER	65104249		•	•																
	0414 PANEL (FRONT - SEALED CHAMBER)	65105678		•	•																
	0415 CASE PANEL (L.H. SIDE)	65105676		•	•																
	0416 CASE PANEL (R.H. SIDE)	65105677		•	•																
	0417 CASE PANEL (FRONT)	60000983		•	•																
	0420 EXPANSION VESSEL SUPPORT	65104696		•	•																
	0470 GROMMET	60000807		•	•																
	0471 CABLE INLET RUBBER WASHER	60000541		•	•																



☉→	Description	Manf. Pt. N	Type	ALIXIA GREEN 24 ALIXIA GREEN 20																	
				1	2	3	4	5	6	7	8	9	10	11	12	13	14	15	16	17	18
<b>0500</b>	<b>FLOW GROUP</b>																				
0501	FLOW GROUP	65104312		●	●																
0502	TEMPERATURE PROBE + CLIP	990686		●	●																
0503	PRESSURE RELIEF VALVE (3 BAR)	61312668		●	●																
0507	WATER / WATER HEAT EXCHANGER 16	65104333		●	●																
0512	PLUG	65104445		●	●																
0513	GROMMET	60000807		●	●																
0514	BY-PASS	65104336		●	●																
0521	HYDRAULIC GROUP SUPPORT	65104311		●	●																
0550	PIPE (SAFETY VALVE)	65104447		●	●																
0551	HEATING FLOW BEND	60001877		●	●																
0552	BY-PASS PIPE	65104340		●	●																
0560	CLIP D:10	65104260		●	●																
0562	CLIP D:18	65104259		●	●																
0565	CLIP	60000309		●	●																
0580	SHEET GASKET D: 13.9-10.4-1.5	60061853-02		●	●																
0581	O - RING (17.96X2.62)	65104337		●	●																
0582	O-RING D: 17.86-2.62	61308091		●	●																
0583	O - RING (15.54X2.62)	65104325		●	●																
0585	O-RING 3,53X17,04	65104262		●	●																
0588	EXCHANGER GASKET	65104334		●	●																
<b>0600</b>	<b>RETURN GROUP</b>																				
0601	RETURN GROUP	60000629		●	●																
0602	LOW PRESSURE SWITCH	65105090		●	●																
0603	TEMPERATURE PROBE + CLIP	990686		●	●																
0604	PUMP 5M 2V	65104319		●																	
	PUMP 6M 2V	60000591			●																
0605	MOTOR - THREE-WAY VALVE	61302483-01		●	●																
0606	SENSOR (REED)	65104323		●	●																
0607	FLOW METER	65104317		●	●																
0610	MOTOR + SPRING 3 WAY VALVE KIT	60001583		●	●																
0612	PLUG	65104377		●	●																
0613	RIDUCTORS (KIT)	65104318		●	●																
0614	AUTO AIR VENT WITH O-RING	65104703	WILO	●	●																
0615	KIT DRAIN SCREW	60001385		●	●																
0616	WATER FILTER	60001372		●	●																
0617	RUBBER	65102770		●	●																
0619	CHECK VALVE CARTRIDGE	65105323		●	●																
0650	PIPE (EXPANSION VESSEL)	65104253		●	●																
0651	HEATING RETURN TUBE	60001859		●	●																
0660	CLIP D:10	65104260		●	●																
0661	CLIP	65104332		●	●																
0664	CLIP	65104322		●	●																
0665	CLIP	65104331		●	●																
0666	CLIP	60000309		●	●																
0667	CLIP	65100680		●	●																
0668	CLIP	65104316		●	●																
0680	GASKET 3/8	573521		●	●																
0681	O - RING (9.19X2.62)	65104313		●	●																
0682	O-RING 3,53X17,04	65104262		●	●																
0683	O - RING (23.47X2.62)	65104315		●	●																
0686	O - RING (15.54X2.62)	65104325		●	●																
0687	O RING D: 5.7-1.9	61009834-10		●	●																
0688	O - RING (21.89X2.62)	65104320		●	●																
0689	O-RING 16,5X1,6	65105180		●	●																
0690	O-RING D: 8.9-2.7	61009834-14		●	●																
0691	O-RING D: 17.86-2.62	61308091		●	●																



900



5000

**5001**  
 Transf. gaz > GPL  
 Conv. gas > GPL  
 Trasn. gas > GPL  
 Transf. gas > GPL

**5002**  
 Transf. gaz > Nat  
 Conv. gas > Nat  
 Trasn. gas > Met  
 Transf. gas > Met

**5020**  
 Options  
 Accessories  
 Opzioni  
 Accessorio

☉⇒	Description	Manf. Pt. N	Type	ALIXIA GREEN 24 ALIXIA GREEN 20																	
				1	2	3	4	5	6	7	8	9	10	11	12	13	14	15	16	17	18
<b>0800</b>	<b>ELECTRICAL BOX</b>																				
0801	FUSE 250V 2A - TEMPORIZED	61003456		●	●																
0806	PUSH	65104228		●	●																
0809	INSPECTION COVER	60001618		●	●																
0814	CONTROL PANEL	60001616		●	●																
0815	P.C.B. (MAIN)	60001899		●	●																
0816	PRINTED CIRCUIT BOARD (DISPLAY)	60001606		●	●																
0818	PUSH BUTTON	60001295		●	●																
0824	CONTROL PANEL COVER (REAR)	60001617		●	●																
0825	PRESSURE GAUGE	60000725		●	●																
0851	CONTROL PANEL	60001296		●	●																
0856	CABLE CLAMP	65103377		●	●																
0880	DISPLAY WIRING	60000746		●	●																
	EARTH WIRE	65104286		●	●																
	FAN CABLE	60001624		●	●																
	FEEDER 240V	60001619		●	●																
	FLOW METER CABLE - PRES SENSOR CABLE	60001620		●	●																
	GAS VALVE CABLE	60001622		●	●																
	IGNITOR CABLE	60001818		●	●																
	IONIZATION ELECTRODE CABLE	65104518		●	●																
	NTC PROBE - OVERHEAT THERMOSTAT CABLE	60001623		●	●																
	PUMP 2V CABLE 5M	65104520	WILO	●																	
	PUMP 2V CABLE 6M	65109585	WILO	●																	
	THREE WAY VALVE CABLE	60001621		●	●																
<b>0900</b>	<b>JIG PLATE &amp; PIPE FITTING</b>																				
0902	WATER FLOW SERVICE TAP	60000886		●	●																
0903	HOT WATER CONNECTION	60000891		●	●																
0904	GAS SERVICE TAP	60000898		●	●																
0905	COLD WATER TAP	60000894		●	●																
0906	WATER FLOW & RETURN SERVI. TAP	60000885		●	●																
0910	WALL HOOK	60000625		●	●																
0917	SHEET GASKET D: 24-17-1.5	60061855-19		●	●																
0928	DISCONNECTOR	60000881		●	●																
0930	SHEET GASKET D: 11-5-1.5	60061853-07		●	●																
0936	UNION	60000879		●	●																
0937	TUBE PVC D: 13x17 L: 1M	60081266-02		●	●																
0938	TUBE PVC D: 9x12 L: 1M	60081266		●	●																
0939	SHEET GASKET D: 16.5-11-1.5	60061854-14		●	●																
0942	FILLER NECK	60001078		●	●																
<b>5000</b>	<b>ACCESSORIES</b>																				
5020	BURNER GASKETS (KIT)	65112139		●	●																
	EXCHANGER GASKETS (KIT)	65112138		●	●																

## LIST OF THE ABBREVIATIONS

HW .....	: Hot water.
CW .....	: Cold water.
C .....	: Ceramic resistance (normal heating).
Ca .....	: Ceramic resistance (accelerated heating)
TP .....	: Immersion heater.
1F .....	: With fittings.
2F .....	: Without fittings.
3F .....	: With fittings and another outlet connection.
AMI .....	: With mixing valve.
SMI .....	: Without mixing valve.
PUISS .....	: Power of th appliance.
PN .....	: Appliance with normal pression.
LP .....	: Appliance with low pression.
PV .....	: Appliance with variable power.
PF .....	: Appliance with fixed power.

## IDENTIFICATION PLATE

### SERIAL NUMBER

<b>10 Characters :</b>	04 05 125 011		
		Sequential number	
		Manufacturing day	
		Year of manufacture	
<b>11 Characters :</b>	1 95 065004 - 31		
Month of manufacture :		Technical number of the appliance	
from 1 to 9 → Jan. to Sep.,		Sequential number	
O → Oct., N → Nov.,		Year of manufacture	
D → Dec.			
<b>19 Characters :</b>	08 05 0013199 900640031		
Year of manufacture		Product reference	
Month of manufacture		Sequential number	
<b>20 Characters :</b>	3675007 XX 2 07 070 00315		
Product reference		Sequential number	
Millenium of manufacture		Manufacturing day	
		Year of manufacture	
<b>21 Characters :</b>	3675007 XX 07 070 0000315		
Product reference		Sequential number	
Year of manufacture		Manufacturing day	