

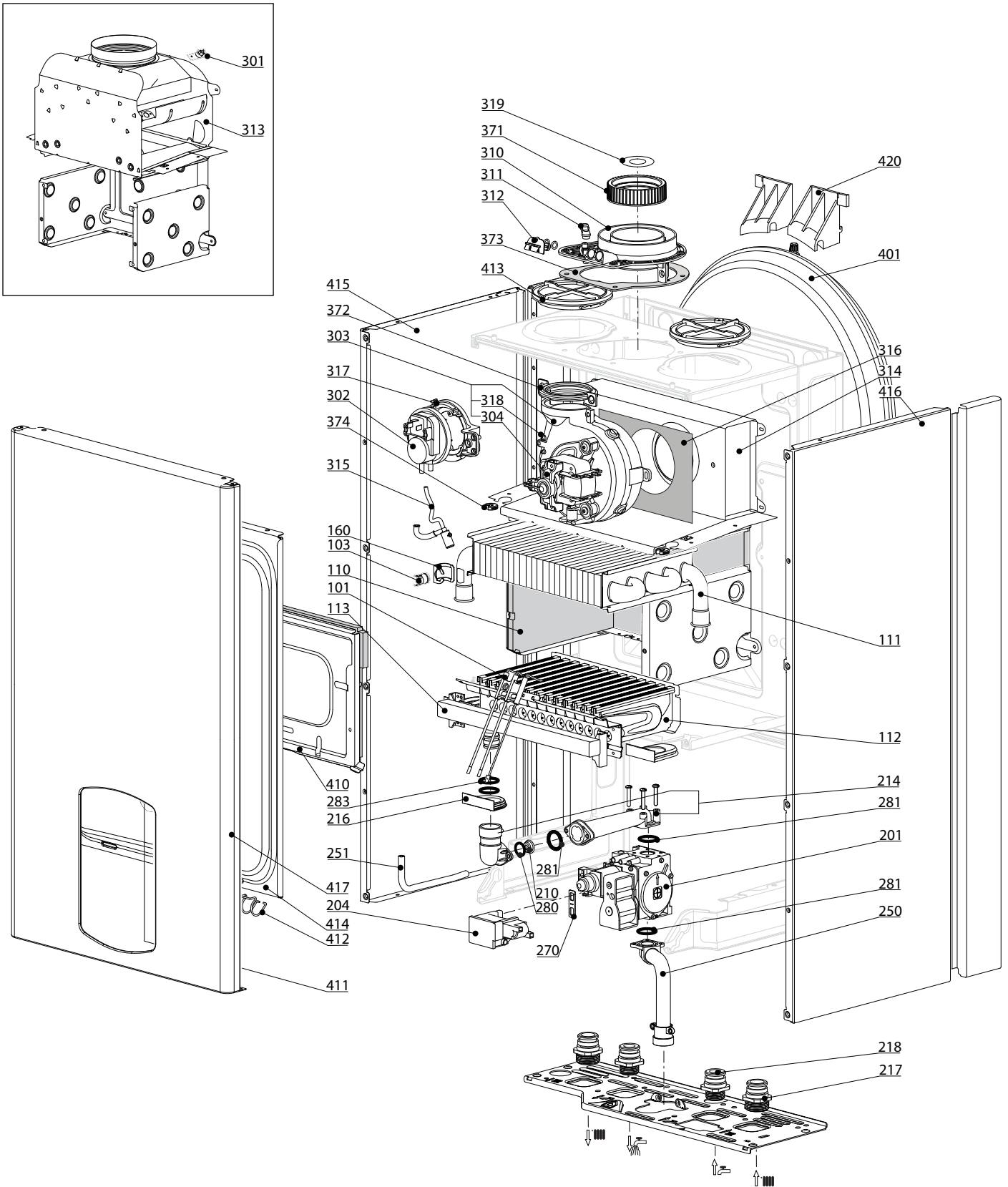
SPARE PARTS EXPLODED VIEW GAS WALL BOILERS

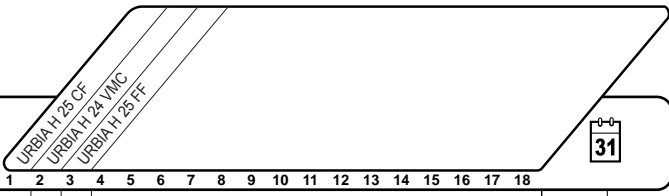
Model

URBIA H

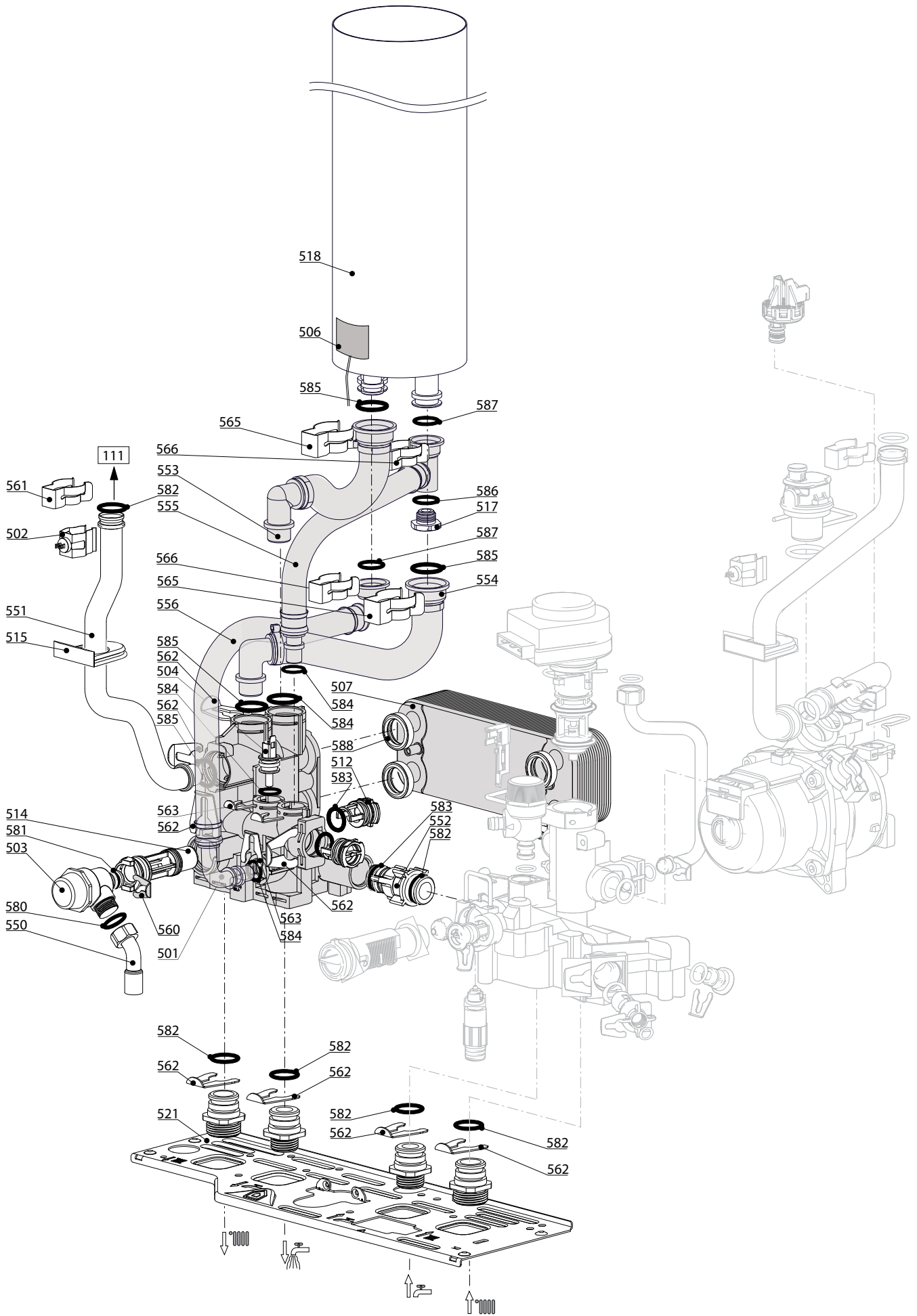
R8203213-03 - 27/03/2012

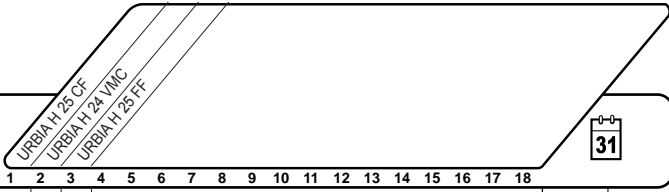
1	3650347	URBIA H 25 CF N FR	09/09	...
2	3650348	URBIA H 24 VMC N FR	09/09	...
3	3650349	URBIA H 25 FF N FR	09/09	...
Col	Reference	Model type	Begin	End



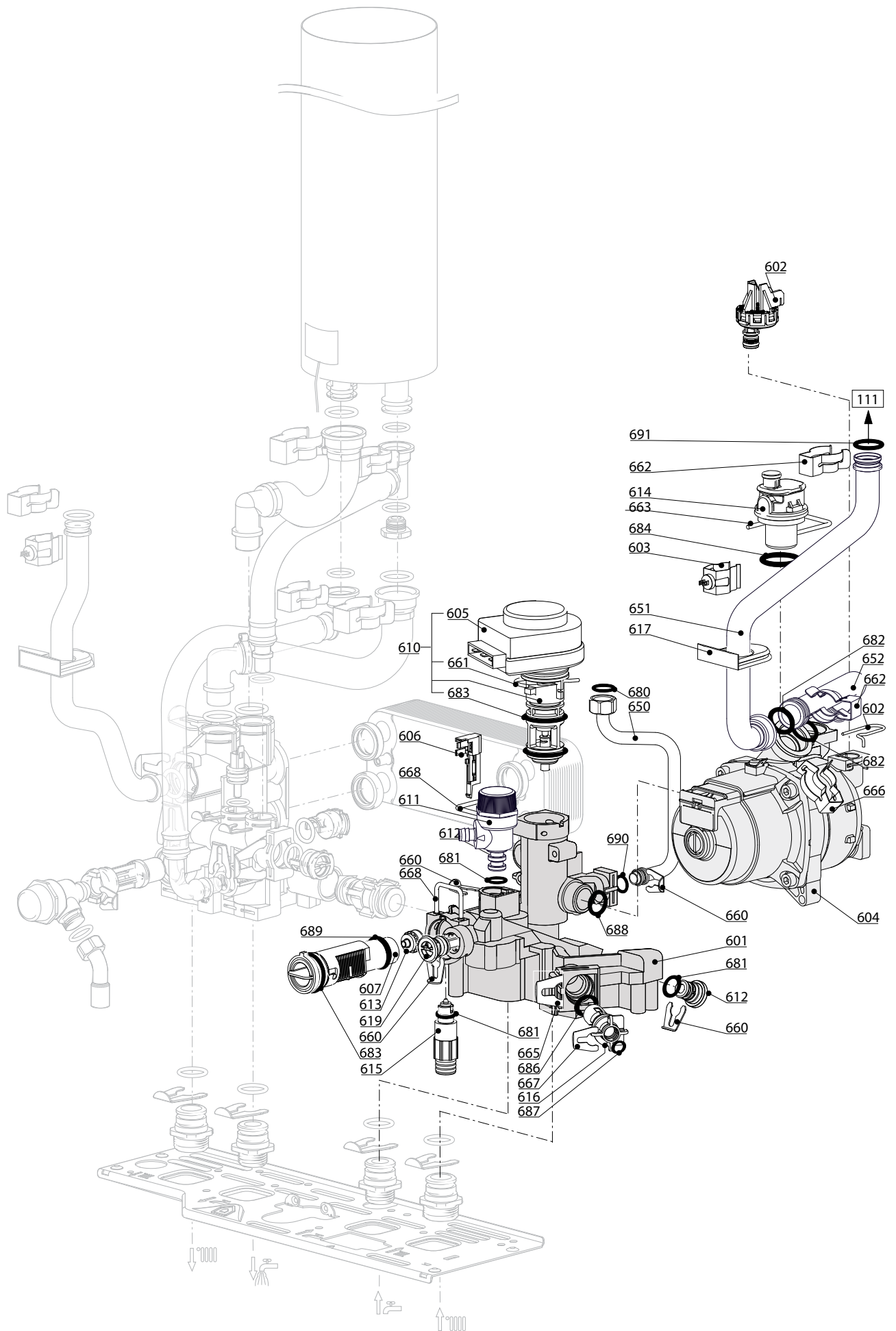


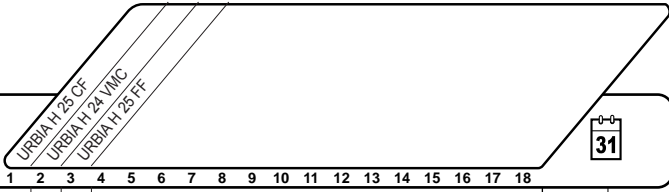
Description	Manf. Pt. N	Type	URBIA H 25 CF URBIA H 24 VMC URBIA H 25 FF																	
			1	2	3	4	5	6	7	8	9	10	11	12	13	14	15	16	17	18
0100 BURNER ASSEMBLY																				
0101 ELECTRODE (IGNITION/DETECTION)	65104549		•	•	•															
0103 THERMOSTAT 102°	65104500		•	•	•															
0110 PANELS (KIT)	65104695		•	•																
PANELS (KIT)	65106298				•															
0111 MAIN EXCHANGER	65104247		•	•																
MAIN EXCHANGER	65106297				•															
0112 BURNER 13NP	65104220		•	•																
BURNER 16NP	65106431				•															
0113 GAS MANIFOLD 13 INJ. D:1.25	65104302	NAT	•	•																
GAS MANIFOLD 11 INJ. D:1.32	65106302	NAT			•															
0160 CLIP	61010050		•	•	•															
0200 GAS SECTION																				
0201 GAS VALVE	65104254		•	•	•															
0204 SPARK GENERATOR	65104653		•	•	•															
0210 RESTRICTOR D: 6.3	60000018	NAT	•	•																
RESTRICTOR D: 5.7	60000498	NAT			•															
0214 PIPE (GAS VALVE/BURNER)	65104230		•	•	•															
0216 GROMMET	60000624		•	•	•															
0217 UNION (3/4)	65104326		•	•	•															
0218 UNION (1/2)	65104327		•	•	•															
0250 GAS TUBE	60000720		•	•	•															
0251 EPDM PIPE	65104296				•															
0270 GASKET (SPARK GENERATOR)	574279		•	•	•															
0280 O-RING D: 14-2.00	60000903	NAT	•	•	•															
0281 O-RING 22,22X2,62	65104304		•	•	•															
0283 O-RING 17,17X1,78	65104303		•	•	•															
0300 FAN ASSEMBLY																				
0301 OVERHEAT THERMOSTAT 49C	61310767			•																
THERMOSTAT 75-65°C	999539		•																	
0302 AIR PRESSURE SWITCH 50 Pa	65104671-01				•															
0303 FAN	65104255				•															
0304 HALL SENSOR 15/24/25 FF	65108301				•															
0310 FLUE (EXHAUST MANIFOLD / HEADER)	65105393				•															
0311 AIR INTAKE COVER	573329				•															
0312 FLUE INTAKE PLUG	65104295				•															
0313 COMBUSTION CHAMBER 24CF	65104218		•	•																
0314 COMBUSTION CHAMBER 24/28 FF	65106295				•															
0315 CONDENSATE TRAP	65104623				•															
0316 PANEL (INSULATION - FAN)	65104305				•															
0317 SUPPORT (AIR PRESSURE SWITCH)	65104378				•															
0318 VENTURI 15/24FF	65106516				•															
0319 RESTRICTOR KIT	60001598				•															
0371 COLLAR GASKET	65104258				•															
0372 FAN GASKET	65104257				•															
0373 GASKET	60000317				•															
0374 CABLE INLET RUBBER WASHER	60000716		•	•	•															
0400 SEALED CASE																				
0401 EXPANSION VESSEL 7.5L	60000823		•	•	•															
0410 PANEL (COMBUSTION CHAMBER)	65104240		•	•																
PANEL (COMBUSTION CHAMBER)	65106296				•															
0411 SIGHT GLASS	65104232				•															
0412 SPRING FRONT PANEL (KIT)	65104298				•															
0413 AIR RETURN COVER	65104249				•															
0414 PANEL (FRONT - SEALED CHAMBER)	65105679				•															
0415 CASE PANEL (L.H. SIDE)	65105676		•	•	•															
0416 CASE PANEL (R.H. SIDE)	65105677		•	•	•															
0417 CASE PANEL (FRONT)	60000719		•	•	•															
0420 EXPANSION VESSEL SUPPORT	65104696		•	•	•															



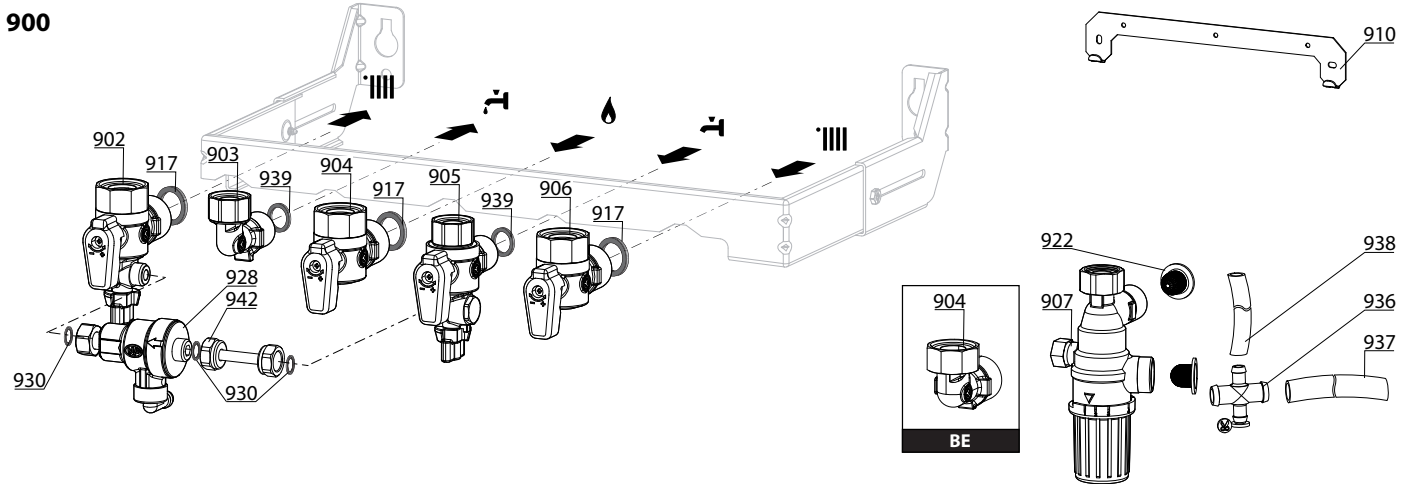
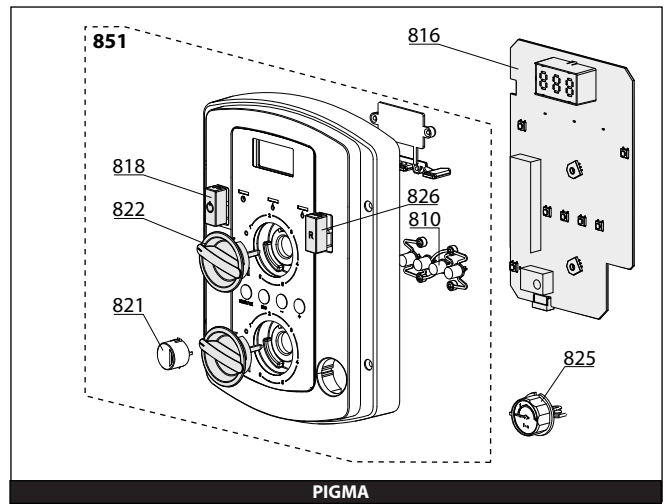
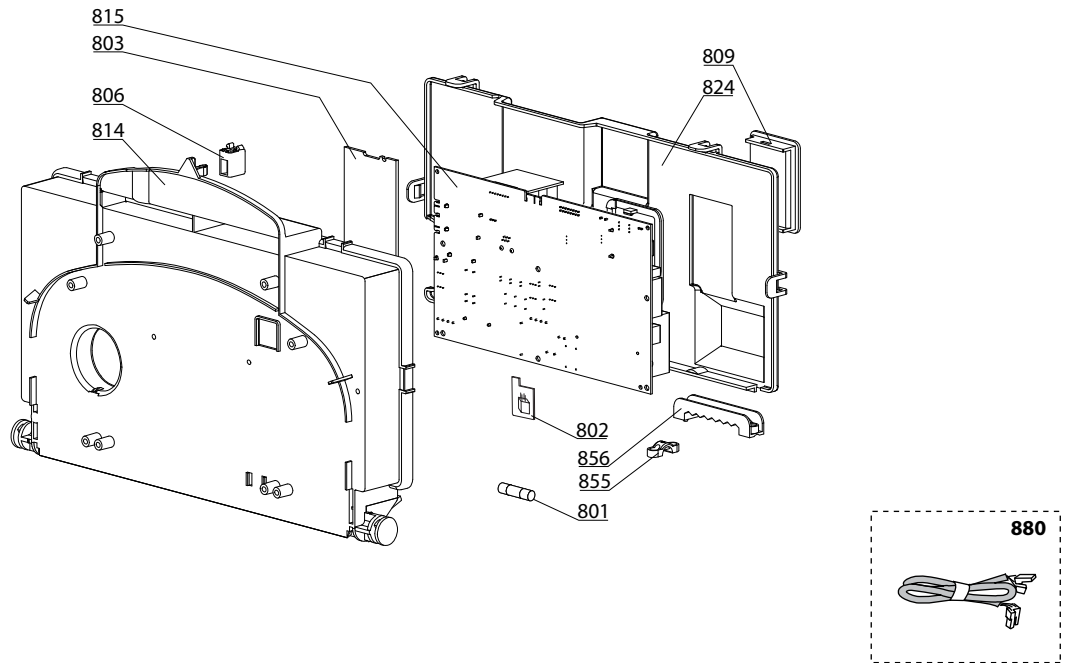


☉⇒	Description	Manf. Pt. N	Type																		
				1	2	3	4	5	6	7	8	9	10	11	12	13	14	15	16	17	18
0500	FLOW GROUP																				
0501	FLOW GROUP	60000873		•	•	•															
0502	TEMPERATURE PROBE + CLIP	990686		•	•	•															
0503	PRESSURE RELIEF VALVE 3 BAR	61312668		•	•	•															
0504	NTC PROBE	65104338		•	•	•															
0506	NTC PROBE	60000822		•	•	•															
0507	WATER / WATER HEAT EXCHANGER 16	65104333		•	•	•															
0512	PLUG	65104445		•	•	•															
0514	BY-PASS	65104336		•	•	•															
0515	GROMMET	60000808		•	•	•															
0517	PLUG 3/4»	60000996		•	•	•															
0518	CYLINDER 4L	60000831		•	•	•															
0521	HYDRAULIC GROUP SUPPORT	60001375		•	•	•															
0550	PIPE (SAFETY VALVE)	65104447		•	•	•															
0551	HEATING FLOW TUBE	60000722		•	•																
	HEATING FLOW TUBE	60001131				•															
0552	BY-PASS PIPE	65104340		•	•	•															
0553	HEATING TUBE	60000846		•	•	•															
0554	HEATING TUBE	60000847		•	•	•															
0555	INLET PIPE	60000854		•	•	•															
0556	PIPE (SECONDARY RETURN)	60000849		•	•	•															
0560	CLIP D:10	65104260		•	•	•															
0561	CLIP	61307589		•	•	•															
0562	CLIP D=18	65104259		•	•	•															
0563	CLIP	65104339		•	•	•															
0565	CLIP	60000309		•	•	•															
0566	CLIP	65105109		•	•	•															
0580	SHEET GASKET D: 13.9-10.4-1.5	60061853-02		•	•	•															
0581	O - RING (15.88X2.62)	65104337		•	•	•															
0582	O-RING D: 17.86-2.62	61308091		•	•	•															
0583	O - RING (15.54X2.62)	65104325		•	•	•															
0584	O-RING D: 11.91-2.62	60000850		•	•	•															
0585	O-RING 3,53X17,04	65104262		•	•	•															
0586	SHEET GASKET D: 11-5-1.5	60061853-07		•	•	•															
0587	O-RING D: 12.1-2.7	60024164-16		•	•	•															
0588	EXCHANGER GASKET	65104334		•	•	•															



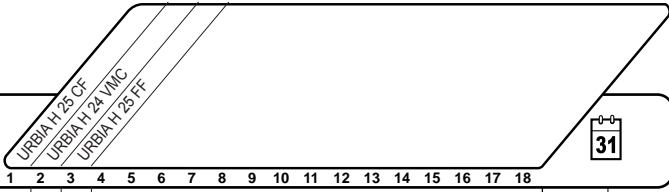


☉⇒	Description	Manf. Pt. N	Type																		
				1	2	3	4	5	6	7	8	9	10	11	12	13	14	15	16	17	18
0600	RETURN GROUP																				
0601	RETURN GROUP	60000874		•	•	•															
0602	LOW PRESSURE SWITCH	65105090		•	•	•															
0603	TEMPERATURE PROBE + CLIP	990686		•	•	•															
0604	PUMP 5M 2V	65104319		•	•	•															
0605	MOTOR - THREE-WAY VALVE	61302483-01		•	•	•															
0606	SENSOR (REED)	65104323		•	•	•															
0607	FLOW METER	60000870		•	•	•															
0610	MOTOR + SPRING 3 WAY VALVE KIT	60001583		•	•	•															
0611	PRESSURE RELIEF VALVE 7 BARS	60000171		•	•	•															
0612	PLUG	65104377		•	•	•															
0613	RIDUCTORS (KIT)	65104318		•	•	•															
0614	AUTO AIR VENT WITH O-RING	65104703		•	•	•															
0615	KIT DRAIN SCREW	60001385		•	•	•															
0616	WATER FILTER	60001372		•	•	•															
0617	GROMMET	60000807		•	•	•															
0619	PLUG	65104377		•	•	•															
0650	PIPE (EXPANSION VESSEL)	60000851		•	•	•															
0651	HEATING RETURN TUBE	60000723		•	•	•															
	HEATING RETURN TUBE	60001132				•															
0652	HEATING RETURN TUBE	60000724		•	•	•															
0660	CLIP D:10	65104260		•	•	•															
0661	CLIP	65104332		•	•	•															
0662	CLIP	61307589		•	•	•															
0663	U-CLIP	65104704		•	•	•															
0664	CLIP	65104322		•	•	•															
0665	CLIP	65104331		•	•	•															
0666	CLIP	60000309		•	•	•															
0667	CLIP	65100680		•	•	•															
0668	CLIP	65104316		•	•	•															
0680	GASKET 3/8	573521		•	•	•															
0681	O - RING (9.19X2.62)	65104313		•	•	•															
0682	O-RING 3,53X17,04	65104262		•	•	•															
0683	O - RING (23.47X2.62)	65104315		•	•	•															
0684	O-RING	65104705		•	•	•															
0686	O - RING (15.54X2.62)	65104325		•	•	•															
0687	O RING D: 5.7-1.9	61009834-10		•	•	•															
0688	O - RING (21.89X2.62)	65104320		•	•	•															
0689	O-RING 17,17X1,78	65104303		•	•	•															
0690	O-RING D: 8.9-2.7	61009834-14		•	•	•															
0691	O-RING D: 17.86-2.62	61308091		•	•	•															



5000

5001	5002	5020
Transf. gaz > B/P	Transf. gaz > Nat	Options
Conv. gas > LPG	Conv. gas > Nat	Accessories
Trasf. gas > GPL	Trasf. gas > Met	Opzioni
Transf. gas > B/P	Transf. gas > Met	Accessorio
Umrustsatz > B/P	Umrustsatz > Nat	Option



Description	Manf. Pt. N	Type	URBIA 1 25 CF URBIA 1 25 VMC URBIA 1 25 FF																	
			1	2	3	4	5	6	7	8	9	10	11	12	13	14	15	16	17	18
0800 ELECTRICAL BOX																				
0801 FUSE 250V 2A - TEMPORIZED	61003456		•	•	•															
0802 MODULE KIT (EEPROM)	65105148		•	•	•															
0803 P.C.B (CLIP-IN) E-BUS	65109108		•	•	•															
0806 PUSH	65104228		•	•	•															
0809 INSPECTION COVER	65104294		•	•	•															
0810 PUSH BUTTON	60000978		•	•	•															
0814 CONTROL PANEL	65104300		•	•	•															
0815 P.C.B. (MAIN)	65109313-02		•	•	•															
0816 PRINTED CIRCUIT BOARD (DISPLAY)	60000817-01		•	•	•															
0818 PUSH BUTTON ON/OFF	60000836		•	•	•															
0821 PUSH BUTTON	60000835		•	•	•															
0822 KNOB	60001003		•	•	•															
0824 CONTROL PANEL COVER (REAR)	65104293		•	•	•															
0825 PRESSURE GAUGE	60000725		•	•	•															
0826 BUTTON (RESET)	60000806		•	•	•															
0851 FRONT CONTROL PANEL COMPLETE	60000833		•	•	•															
0855 CABLE CLAMP	571562		•	•	•															
0856 CABLE CLAMP	65103377		•	•	•															
0880 EARTH WIRE	65104286		•	•	•															
DISPLAY WIRING	60000746	/ CN02	•	•	•															
NTC - PRES. SENSOR - GAS VALVE CABLE	60000840	/ CN04	•	•	•															
IONIZATION ELECTRODE CABLE	65104518	/ CN05	•	•	•															
SHUNT CABLE	60000839	/ CN07			•															
TACHOMETER FAN CABLE	65104709	/ CN07			•															
THREE WAY VALVE CABLE	65104523	/ CN09	•	•	•															
PUMP 2V CABLE 5M	65104520	/ CN10	•	•	•															
FAN CABLE	65107270	/ CN10			•															
CLIP-IN E-BUS WIRING	65105169	/ CN11	•	•	•															
FLOW METER CABLE	60000813	/ CN14	•	•	•															
FEEDER 240V	60000993	/ CN20	•	•	•															
NTC - OVERHEAT THER. - PRES SWITCH CABLE	60000814	/ CN22			•															
NTC PROBE - OVERHEAT THERMOSTAT CABLE	60000838	/ CN22			•															
NTC PROBE - OVERHEAT THERMOSTAT CABLE	65104708	/ CN22	•		•															
ROOM THERMOSTAT CABLE	60000988	/ CN25	•	•	•															
0900 JIG PLATE & PIPE FITTING																				
0902 WATER FLOW SERVICE TAP	60000886		•	•	•															
0903 HOT WATER CONNECTION	60000891		•	•	•															
0904 GAS SERVICE TAP UNION	60000898		•	•	•															
UNION	65105631		•	•	•															
0905 COLD WATER TAP	60000894		•	•	•															
0906 WATER FLOW & RETURN SERVI. TAP	60000885		•	•	•															
0907 THERMOSTATIC MIXING VALVE	60001081		•	•	•															
0910 WALL HOOK	60001077		•	•	•															
0917 SHEET GASKET D: 24-17-1.5	60061855-19		•	•	•															
0922 FILTER	60001087		•	•	•															
0928 DISCONNECTOR	60000881		•	•	•															
0930 SHEET GASKET D: 11-5-1.5	60061853-07		•	•	•															
0936 UNION	60000879		•	•	•															
0937 TUBE PVC D: 13x17 L: 1M	60081266-02		•	•	•															
0938 TUBE PVC D: 9x12 L: 1M	60081266		•	•	•															
0939 SHEET GASKET D: 16.5-11-1.5	60061854-14		•	•	•															
0942 FILLER NECK	60001078		•	•	•															
5000 ACCESSORIES																				
5001 BURNER JET FULL KIT (LPG)	65106690		•		•															
5002 BURNER JET FULL KIT (NG) FR	65106692		•		•															
5020 ROD PLATE	60000727		•	•	•															

LIST OF THE ABBREVIATIONS

HW	: Hot water.
CW	: Cold water.
C	: Ceramic resistance (normal heating).
Ca	: Ceramic resistance (accelerated heating)
TP	: Immersion heater.
1F	: With fittings.
2F	: Without fittings.
3F	: With fittings and another outlet connection.
AMI	: With mixing valve.
SMI	: Without mixing valve.
PUISS	: Power of th appliance.
PN	: Appliance with normal pression.
LP	: Appliance with low pression.
PV	: Appliance with variable power.
PF	: Appliance with fixed power.

IDENTIFICATION PLATE

SERIAL NUMBER

10 Characters :

04 05 125 011
 Year of manufacture Manufacturing day Sequential number

11 Characters :

1 95 065004 - 31
 Month of manufacture : Technical number of the appliance
 from 1 to 9 → Jan. to Sep.,
 O → Oct., N → Nov.,
 D → Dec. Sequential number
 Year of manufacture

19 Characters :

08 05 0013199 900640031
 Year of manufacture Product reference
 Month of manufacture Sequential number

20 Characters :

3675007 XX 2 07 070 00315
 Product reference Sequential number
 Millenium of manufacture Manufacturing day
 Year of manufacture

21 Characters :

3675007 XX 07 070 0000315
 Product reference Sequential number
 Year of manufacture Manufacturing day

The indications mentioned on the prices, commercial or technical literature and the scheme are written for your guidance and are available at a given time. The CONSTRUCTOR retains the power to modify the presentation, the form, the size, the conception or the material of the products.