

# SPARE PARTS EXPLODED VIEW GAS WALL BOILERS

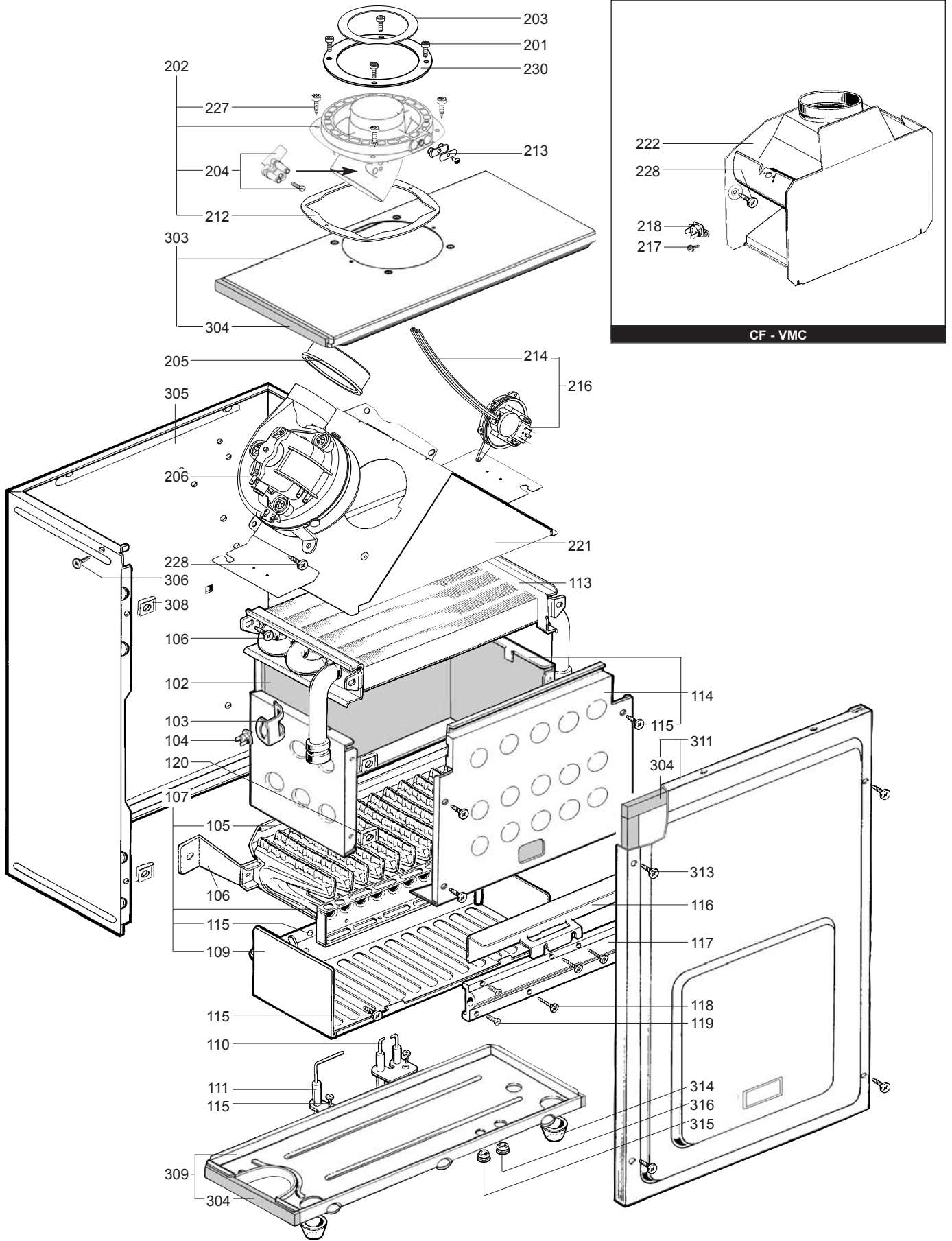
Model

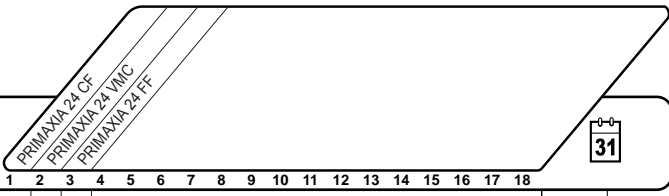
## **PRIMAXIA**

R8202647-08 - 26/03/2012

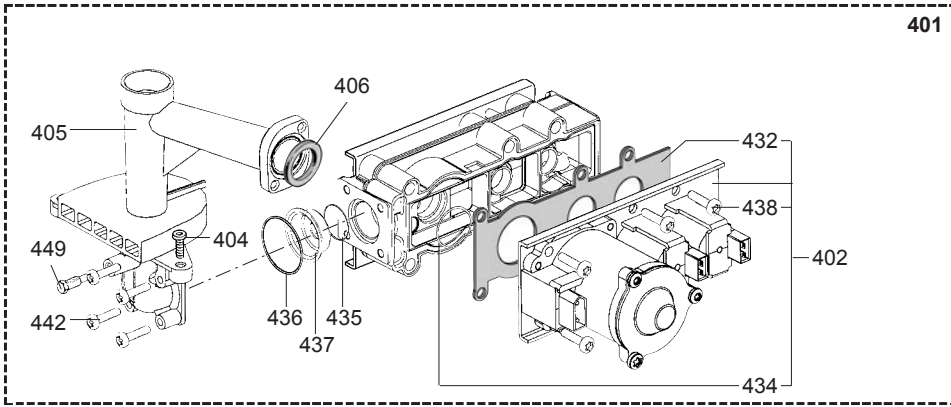
1	200006774031	PRIMAXIA 24 CF N	03/03	03/08
2	200006774036	PRIMAXIA 24 VMC N	03/03	03/08
3	200006774037	PRIMAXIA 24 FF N	03/03	03/08

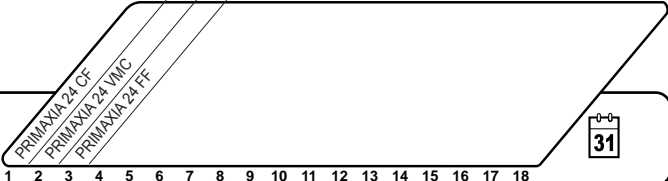
Col	Reference	Model type	Begin	End
-----	-----------	------------	-------	-----



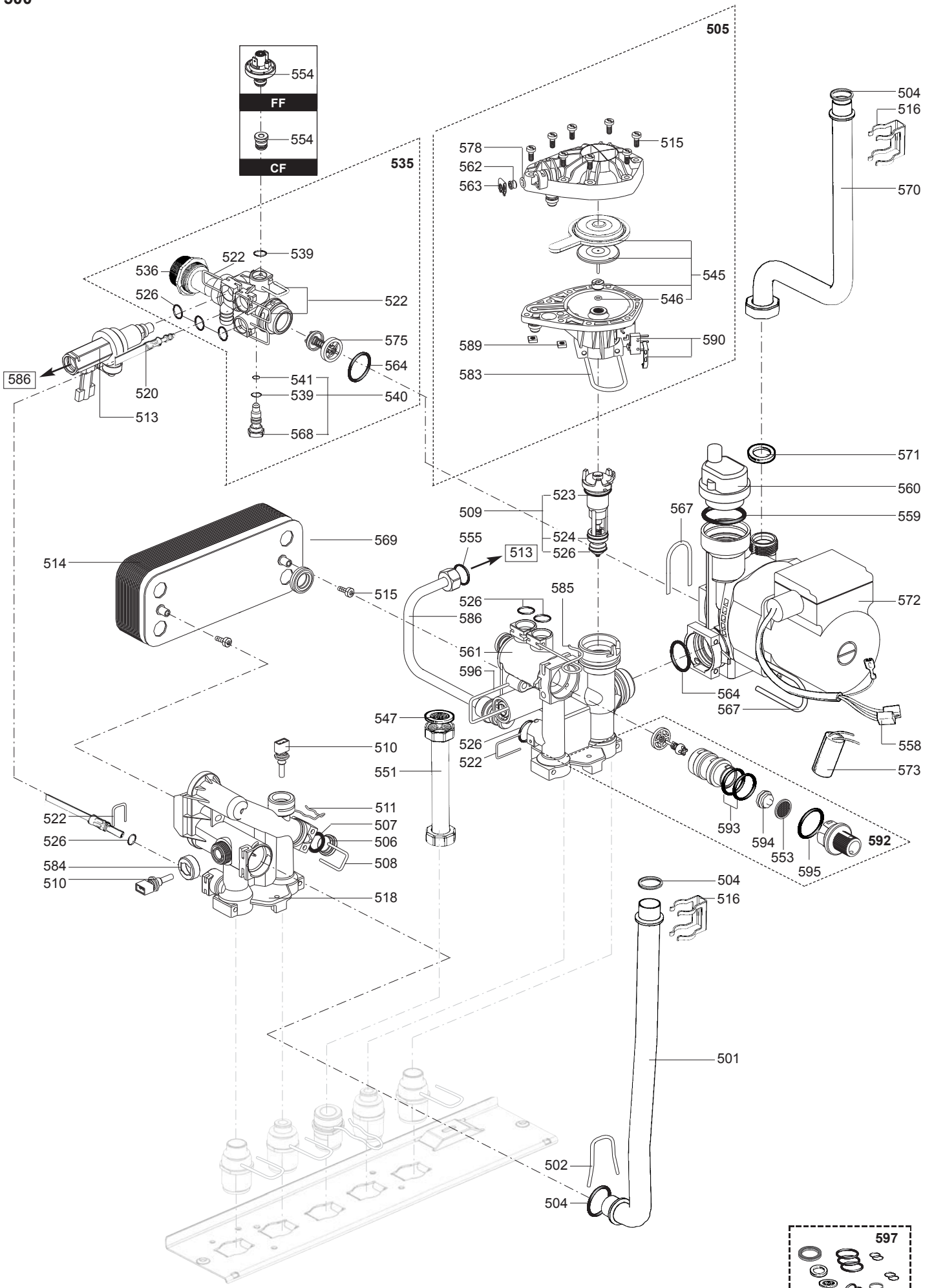


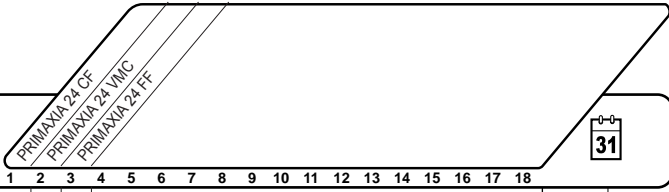
Description	Manf. Pt. N	Type																		
			1	2	3	4	5	6	7	8	9	10	11	12	13	14	15	16	17	18
<b>0100 BURNER ASSEMBLY</b>																				
0102 COMBUSTION CHAMBER LINING KIT	60081722		•	•	•															
0103 CLIP	61010050		•	•	•															
0104 OVERHEAT THERMOSTAT 105C	61303566		•	•	•															
0105 CROSS LIGHTING STRIP	61002811				•															
CROSS LIGHTING STRIP	61010038		•	•																
0106 TAPPING SCREW CBLX D: 6.3-13	61010648		•	•	•															
0107 BURNER HEAD	61010415		•	•																
BURNER HEAD	61010753				•															
0109 GRILLE	61010223				•															
DEFLECTOR	61303084		•	•																
0110 IGNITION ELECTRODE	61002801		•	•	•															
0111 IONIZATION ELECTRODE	61002802		•	•	•															
0113 HEAT EXCHANGER	61010017		•	•	•															
0114 COMBUSTION CHAMBER ASSY	60081721		•	•	•															
0115 TAPPING SCREW CBLX D: 4.2-9.5	61010125		•	•	•															
0116 DEFLECTOR	61010392				•															
0117 MANIFOLD 16 INJ.	61010030	NAT	•	•																
MANIFOLD 16 INJ.	61010341	NAT			•															
0118 TAPPING SCREW CBLX D: 4.2-25	61010128		•	•	•															
0119 SCREW HX M 5-12	61010131		•	•	•															
0120 SPIRE CLIP	60057488		•	•	•															
<b>0200 FAN ASSEMBLY</b>																				
0201 SCREW CLX M 5-20	61017600				•															
0202 FLUE CONNECTION	60000735				•														11/04	
FLUE CONNECTION	61306695				•															10/04
0203 RESTRICTOR D:61 KIT	60000736				•															10/04
RESTRICTOR D:65 KIT	60000737				•															11/04
0204 VENTURI	61310050				•															
0205 GASKET	61303825				•															
0206 FAN ASSY	61304720				•															
0212 GASKET	61300262				•															
0213 PLUG KIT	61306698				•															
0214 SILICONE TUBE D: 9x3 L: 1.30M	60081265				•															
0216 AIR PRESSURE SWITCH 24KW	61306697				•															
0217 SHEET SCREW CBLX D: 3.5-6.5	61010126		•	•																
0218 THERMOSTAT (SAFETY - 70C)	61012479		•																	
OVERHEAT THERMOSTAT 49C	61310767				•															
0221 HOOD	61304712				•															
0222 DRAUGHT DIVERTER	61010117		•																	
DRAUGHT DIVERTER	61308490				•															
0227 TAPPING SCREW CBLX D:4.2-12.5	61010847				•															
0228 TAPPING SCREW CBLX D: 6.3-13	61010648		•	•	•															
0230 GASKET (/ Flue bend turret)	61300258				•															
<b>0300 SEALED CASE</b>																				
0303 TOP PANEL BOX	61305438				•															
0304 FOAM SEAL 12.5x5 L: 2.5M	60081273				•															
0305 CASE	61010106				•															
0306 TAPPING SCREW CBLZ D: 4.2-13	60079486				•															
0308 SPIRE CLIP	60057488				•															
0309 BASE - BOX	61010588				•															
0311 CASE COVER	60081851				•															
0313 TAPPING SCREW CBLZ D: 4.2-19	61003114				•															
0314 GROMMET	61010109				•															
0315 GROMMET	60039017				•															
0316 GROMMET - DOUBLE	60042707				•															



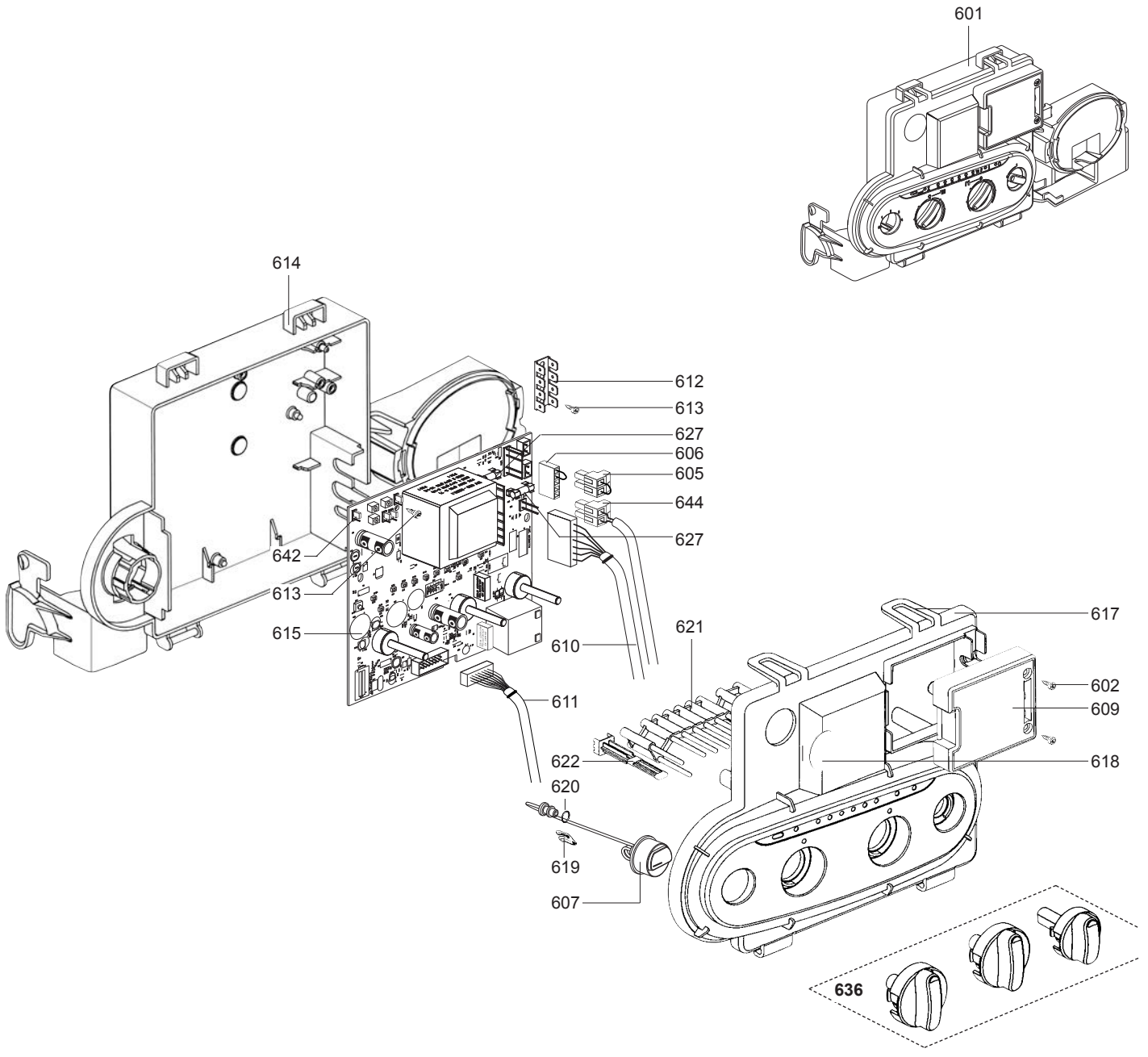


☰	Description	Manf. Pt. N	Type	1	2	3	4	5	6	7	8	9	10	11	12	13	14	15	16	17	18	31
<b>0400 GAS SECTION</b>																						
0401	GAS VALVE NAT	61013015	NAT			●																
	GAS VALVE NAT	61304994	NAT	●	●																	
0402	SOLENOID VALVES KIT NAT	60081859	NAT	●	●	●																
0404	SCREW HX M 5-12	61010131		●	●	●																
0405	BURNER BASE KIT	60081835		●	●	●																
0406	GASKET (/Manifold)	61010071		●	●	●																
0410	FOAM SEAL 12x7 L: 5M	60081273-04		●	●	●																
0412	GAS SECTION GASKETS KIT	60081837		●	●	●																
0432	GASKET (/Solenoid valve)	61013018		●	●	●																
0434	O-RING D: 14.1-1.6	60021061-41		●	●	●																
0435	O-RING D: 17.1-1.6	60021061-42		●	●	●																
0436	O-RING D: 22-2.6	60021061-40		●	●	●																
0437	RESTRICTOR D: 6.7	61013016-01	NAT			●																
	RESTRICTOR D: 8.0	61013016-08	NAT	●	●																	
0438	SCREW CLXS M 5-45	61014414		●	●	●																
0442	SCREW CBLXS M 4-20	61014415		●	●	●																
0449	PRESSURE TEST POINT SCREW	61016378		●	●	●																

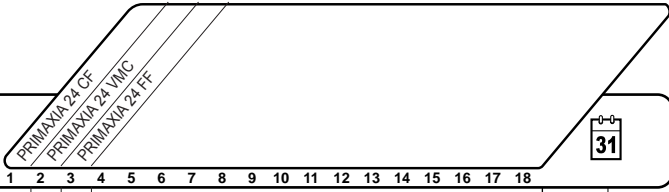




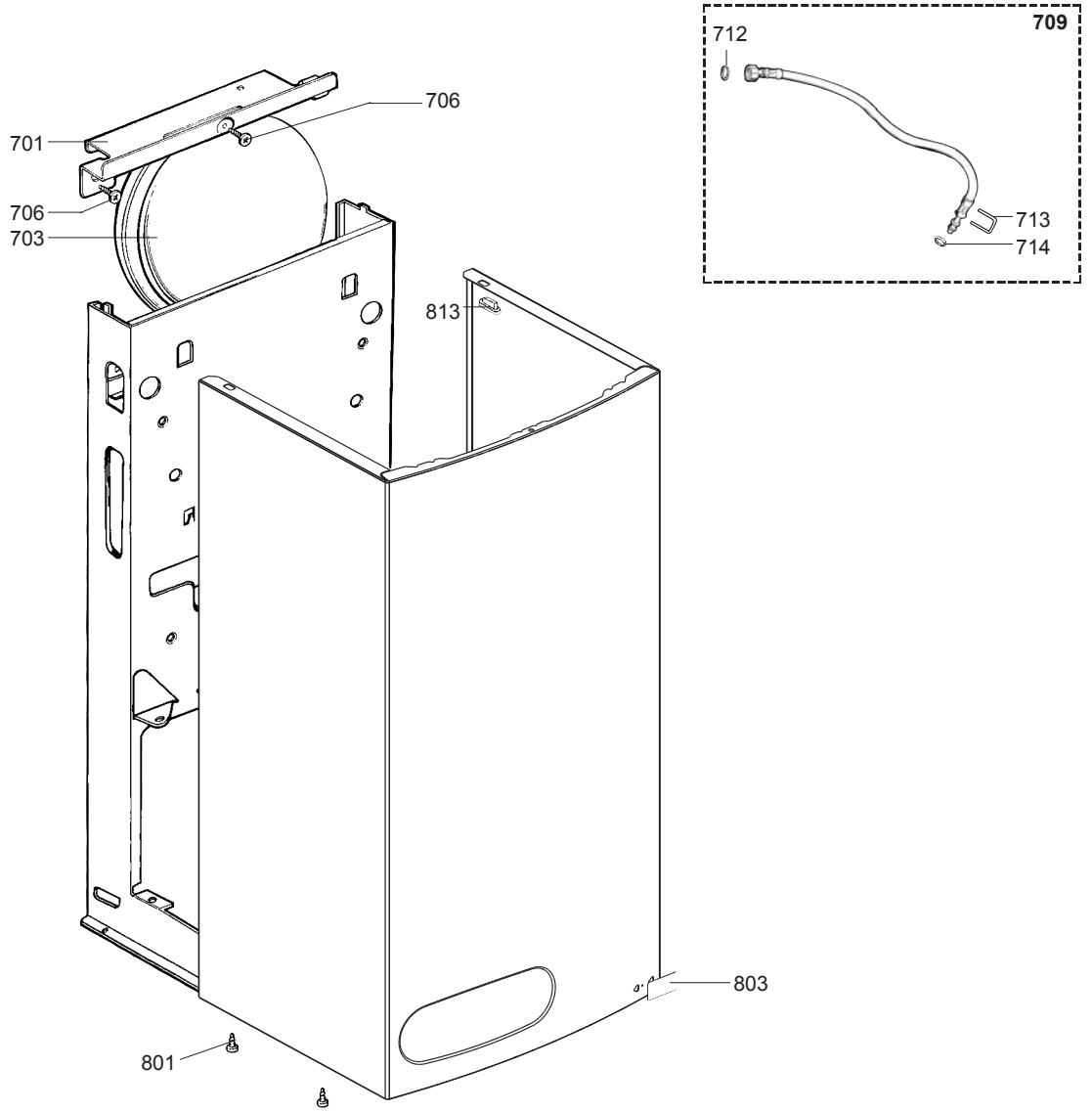
Description	Manf. Pt. N	Type																		
			1	2	3	4	5	6	7	8	9	10	11	12	13	14	15	16	17	18
<b>0500 HYDRAULIC BLOCK</b>																				
0501 HEAT EXCHANGER TUBE	61302004		•	•	•															
0502 CLIP	61010012-02		•	•	•															
0504 O-RING D: 17-4	60024164-51		•	•	•															
0505 MOTOR - THREE-WAY VALVE	61302410		•	•	•															
0506 PLUG	61002490		•	•	•															
0507 O-RING D: 13.6-2.7	60024164-18		•	•	•															
0508 PIN	61016207		•	•	•															
0509 VALVE	61302411		•	•	•															
0510 THERMISTOR TEMP. SENSOR	61000733		•	•	•															
0511 TEMPERATURE SENSOR CLIP	61002083		•	•	•															
0513 DISCONNECTOR	61312518		•	•	•															
0514 WATER / WATER HEAT EXCHANGER 16	61302409-01		•	•	•															
0515 SCREW CLX M 5-20	61017600		•	•	•															
0516 CLIP	61010609		•	•	•															
0518 LEFT HAND HYDRAULIC BLOCK	61301956		•	•	•															
0520 FLEXIBLE PIPE	61301998		•	•	•															
0522 CLIP	61010005		•	•	•															
0523 O-RING D: 18.4-2.7	60024164-22		•	•	•															
0524 O-RING D: 15.6-1.78	61009834-49		•	•	•															
0526 O-RING D: 8.9-2.7	61009834-14		•	•	•															
0535 PRESSURE RELIEF VALVE KIT	61400159		•	•	•															
0536 PRESSURE RELIEF VALVE	61301927		•	•	•															
0539 O-RING D: 8.9-1.9	60024164-13		•	•	•															
0540 SPINDLE	61302539		•	•	•															
0541 O-RING D: 3.6-2.4	61009834-53		•	•	•															
0545 DIAPHRAGM	60081977		•	•	•															
0546 O-RING D: 2.9-1.78	60024164-54		•	•	•															
0547 GAS FILTER	60037309		•	•	•															
0551 GAS TUBE	61302005		•	•	•															
0553 WATER FILTER	61301924		•	•	•															
0554 PRESSURE SENSOR 0.8b	61310364				•															
PLUG	61312176		•	•																
0555 SHEET GASKET D: 8.5-4.1-1.5	60061852-12		•	•	•															
0558 PUMP LEAD (2 SPEEDS)	61306995		•	•	•															
0559 GASKET KIT	61304618		•	•	•															
0560 AIR SEPARATOR HEAD ASSEMBLY	61304608		•	•	•															
0561 RIGHT HAND HYDRAULIC BLOCK	61301936		•	•	•															
0562 PLUG	61016752		•	•	•															
0563 CLIP	61002406		•	•	•															
0564 O-RING D: 24.6-3.6	61009834-30		•	•	•															
0567 CLIP	60030898-03		•	•	•															
0568 TAP KNOB	60066107		•	•	•															
0569 EXCHANGER GASKET	65104334		•	•	•															
0570 TUBE : PUMP TO HEAT EXCHANGER	61302003		•	•	•															
0571 O-RING D: 16-1.9	61009833-37		•	•	•															
0572 PUMP + AIR SEPARATOR 15/50	61301964		•	•	•															
PUMP + AIR SEPARATOR 15/60	61303461		•	•	•															
0573 CAPACITOR	61000652-10		•	•	•															
0575 BY-PASS	61301960		•	•	•															
0578 O-RING D: 5.7-1.9	60024164-10		•	•	•															
0583 CLIP	61301900		•	•	•															
0584 NUT	61012886		•	•	•															
0585 CLIP	61303463		•	•	•															
0586 DISCONNECTOR TUBE	61312524		•	•	•															
0589 NUT M 5	61016604		•	•	•															
0590 MICRO SWITCH	61301904		•	•	•															
0592 WATER CONTROL 8L/MN	61301952		•	•	•															
0593 O-RING D: 20.1-1.6	60024164-58		•	•	•															
0594 FLOW REGULATORE 8L/MN (RED)	61017288-08		•	•	•															
0595 O-RING D: 25-2.4	60024164-32		•	•	•															
0596 PIN	61308332		•	•	•															
0597 GASKETS SET - HYDRAULIC BLOC	60081985		•	•	•															







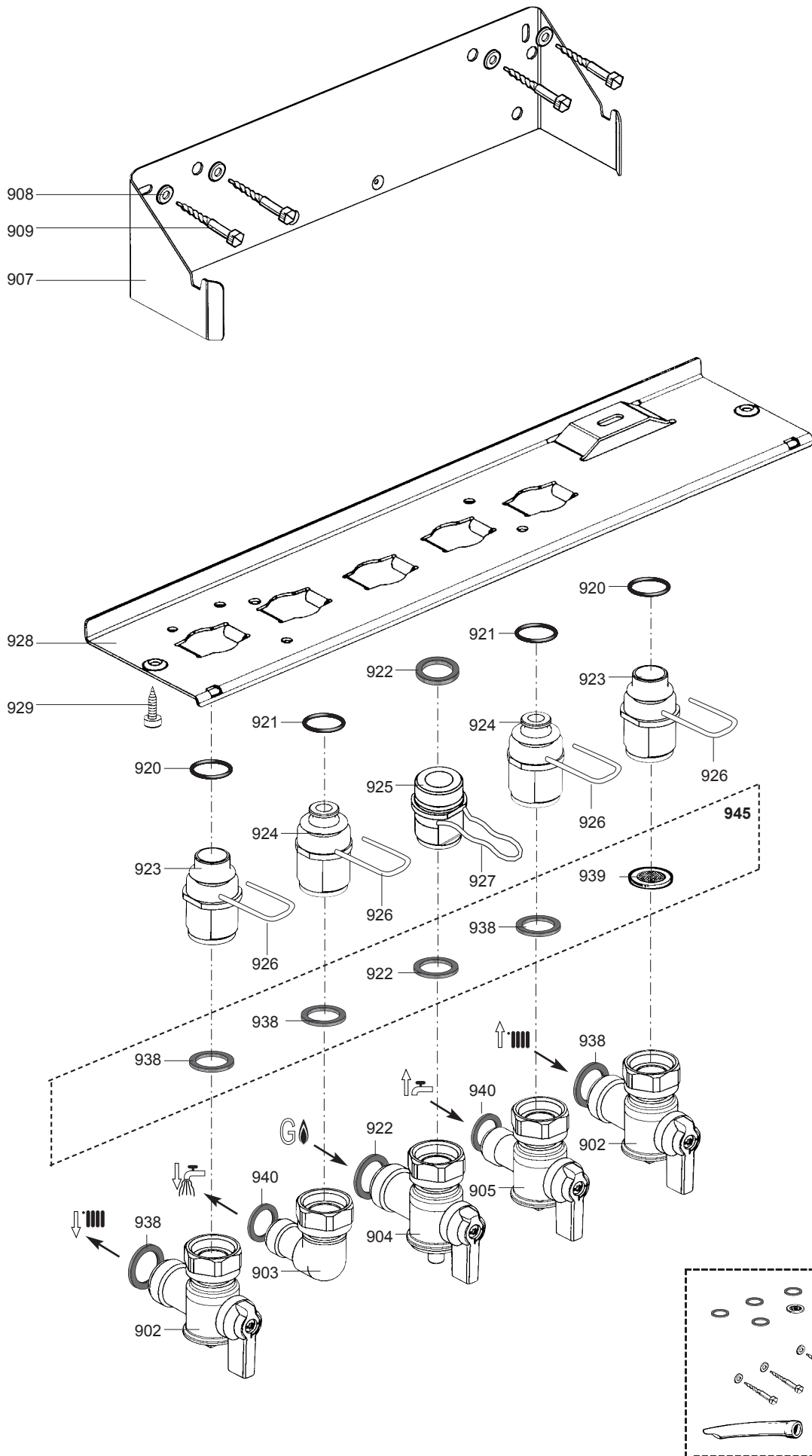
Description	Manf. Pt. N	Type																		
			1	2	3	4	5	6	7	8	9	10	11	12	13	14	15	16	17	18
<b>0600 ELECTRICAL BOX</b>																				
0601 ELECTRICAL BOX	61305317		•	•	•															
0602 SCREW FX90 L:16	61020510		•	•	•															
0605 CONNECTOR	61302101		•	•	•															
0606 CONNECTOR	61303697		•	•	•															
0607 PRESSURE GAUGE	61303159		•	•	•															
0609 CONNECTOR COVER	61302248		•	•	•															
0610 FAN CABLE	61302017				•															
CONNECTOR	61305269		•	•																
0611 WIRE ASSEMBLY	61302014		•																	
WIRE ASSEMBLY	61305712				•															
WIRE ASSEMBLY	61312188			•																
0612 CONNECTION STRIP	61002725		•	•	•															
0613 TAPPING SCREW TCBL D:4 L:10	61020509		•	•	•															
0614 BASE - BOX	61302237		•	•	•															
0615 PRINTED CIRCUIT BOARD	60000571		•	•	•															
0617 ELECTRICAL BOX COVER	61303266		•	•	•															
0618 PLUG	61011316		•	•	•															
0619 CLIP	61002406		•	•	•															
0620 O RING D: 5.7-1.9	61009834-10		•	•	•															
0621 TRANSMITTER OF LEDS	61302245		•	•	•															
0622 IGNITION PUSH ROD	61302246		•	•	•															
0627 FUSE 250V 0.125A TEMPORIZED	61000955		•	•	•															
FUSE 250V 2A - TEMPORIZED	61003456		•	•	•															
FUSE 250V 1.25A - TEMPORIZED	61003635		•	•	•															
0636 KNOBS SET	60081979		•	•	•															
0642 BLACK SHUNT	61400030		•	•	•															
0644 CONNECTING TERMINAL	61308032		•	•	•															

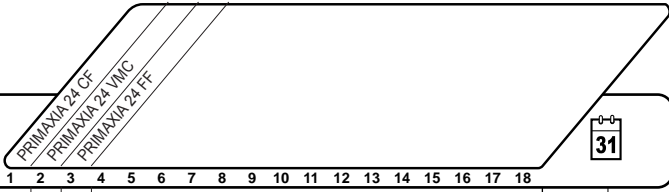


PRIMAXIA 24 CF  
 PRIMAXIA 24 VMC  
 PRIMAXIA 24 FF

31

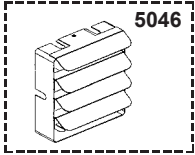
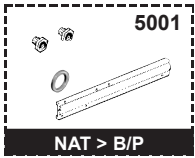
Description	Manf. Pt. N	Type																			
0700 CHASSIS			1	2	3	4	5	6	7	8	9	10	11	12	13	14	15	16	17	18	
0701 TOP STAY PLATE	61010029		●	●	●																
0703 EXPANSION VESSEL	60056676-06		●	●	●																
0706 TAPPING SCREW CBLX D: 6.3-19	61014516		●	●	●																
0709 FLEXIBLE PIPE KIT	60081824		●	●	●																
0712 SHEET GASKET D: 12-6-2	61308868		●	●	●																
0713 CLIP	61010005		●	●	●																
0714 O-RING D: 8.9-2.7	61009834-14		●	●	●																
0800 FRONT CASE																					
0801 TAPPING SCREW CBLX D: 4.2-9.5	61010125		●	●	●																
0803 PLATE	61303654		●	●	●																
0813 SPACER	61015797		●	●	●																



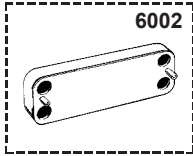
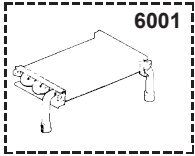


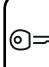
Description	Manf. Pt. N	Type																		
			1	2	3	4	5	6	7	8	9	10	11	12	13	14	15	16	17	18
<b>0900 JIG PLATE &amp; PIPE FITTING</b>																				
0902 WATER FLOW & RETURN SERVI. TAP	61303534		●	●	●															
0903 HOT WATE CONNECTION	61303532		●	●	●															
0904 GAS SERVICE TAP	61303533		●	●	●															
0905 COLD WATER TAP	61303535		●	●	●															
0907 HOOKING BRACKET	61012457		●	●	●															
0908 WASHER D: 14.2-7.2-1.2	60005369-03		●	●	●															
0909 WOOD SCREW	60025617-03		●	●	●															
0920 O-RING D: 17-4	60024164-51		●	●	●															
0921 O-RING D: 10.5-2.7	60024164-15		●	●	●															
0922 SHEET GASKET D: 24-18.2-1.5	60022835-01		●	●	●															
0923 CONNECTION	61301965		●	●	●															
0924 CONNECTION	61302474		●	●	●															
0925 CONNECTION	61303071		●	●	●															
0926 PIN	61302332		●	●	●															
0927 PIN	61305179		●	●	●															
0928 HYDRAULIC PLATE	61301793		●	●	●															
0929 TAPPING SCREW CBLX D: 6.3-13	61010648		●	●	●															
0938 SHEET GASKET D: 24-17-1.5	60061855-19		●	●	●															
0939 WATER FILTER	60039803		●	●	●															
0940 WASHER D: 18.4-12.2-1.5	60061855-14		●	●	●															
0943 FITTING KIT	61312813		●	●	●															
0945 GASKETS SET	61304273		●	●	●															
0946 JIG PLATE	61303832		●	●	●															

5000



6000





**Description**      **Manf. Pt. N**      **Type**

PRIMAXIA 24 CF  
PRIMAXIA 24 VMC  
PRIMAXIA 24 FF

31

			1	2	3	4	5	6	7	8	9	10	11	12	13	14	15	16	17	18
<b>5000</b>	<b>ACCESSORIES</b>																			
5001	CONVERSION KIT NAT > LPG	61018431	•	•	•															
5002	CONVERSION KIT LPG > NAT	61018566	•	•																
	CONVERSION KIT LPG > NAT	61018567			•															
5046	DEFLECTOR 30DEG KIT	61014810			•															
5053	D.H.W. EXPANSION VESSEL KIT	61305469	•	•	•															
<b>6000</b>	<b>MAINTENANCE</b>																			
6001	DESCALING INTERFACE/HEAT EXCHA	61014100	•	•	•															
6002	DESCALING INTERFACE/WATER EXCH	61011075	•	•	•															
6003	FILLING TEST KIT	61305402	•	•	•															

## LIST OF THE ABBREVIATIONS

HW .....	: Hot water.
CW .....	: Cold water.
C .....	: Ceramic resistance (normal heating).
Ca .....	: Ceramic resistance (accelerated heating)
TP .....	: Immersion heater.
1F .....	: With fittings.
2F .....	: Without fittings.
3F .....	: With fittings and another outlet connection.
AMI .....	: With mixing valve.
SMI .....	: Without mixing valve.
PUISS .....	: Power of th appliance.
PN .....	: Appliance with normal pression.
LP .....	: Appliance with low pression.
PV .....	: Appliance with variable power.
PF .....	: Appliance with fixed power.

## IDENTIFICATION PLATE

### SERIAL NUMBER

<b>10 Characters :</b>	04 05 125 011		
		Sequential number	
		Manufacturing day	
		Year of manufacture	
<b>11 Characters :</b>	1 95 065004 - 31		
Month of manufacture :		Technical number of the appliance	
from 1 to 9 → Jan. to Sep.,		Sequential number	
O → Oct., N → Nov.,		Year of manufacture	
D → Dec.			
<b>19 Characters :</b>	08 05 0013199 900640031		
Year of manufacture		Product reference	
Month of manufacture		Sequential number	
<b>20 Characters :</b>	3675007 XX 2 07 070 00315		
Product reference		Sequential number	
Millenium of manufacture		Manufacturing day	
		Year of manufacture	
<b>21 Characters :</b>	3675007 XX 07 070 0000315		
Product reference		Sequential number	
Year of manufacture		Manufacturing day	

The indications mentioned on the prices, commercial or technical literature and the scheme are written for your guidance and are available at a given time. The CONSTRUCTOR retains the power to modify the presentation, the form, the size, the conception or the material of the products.