

SPARE PARTS EXPLODED VIEW GAS WALL BOILERS

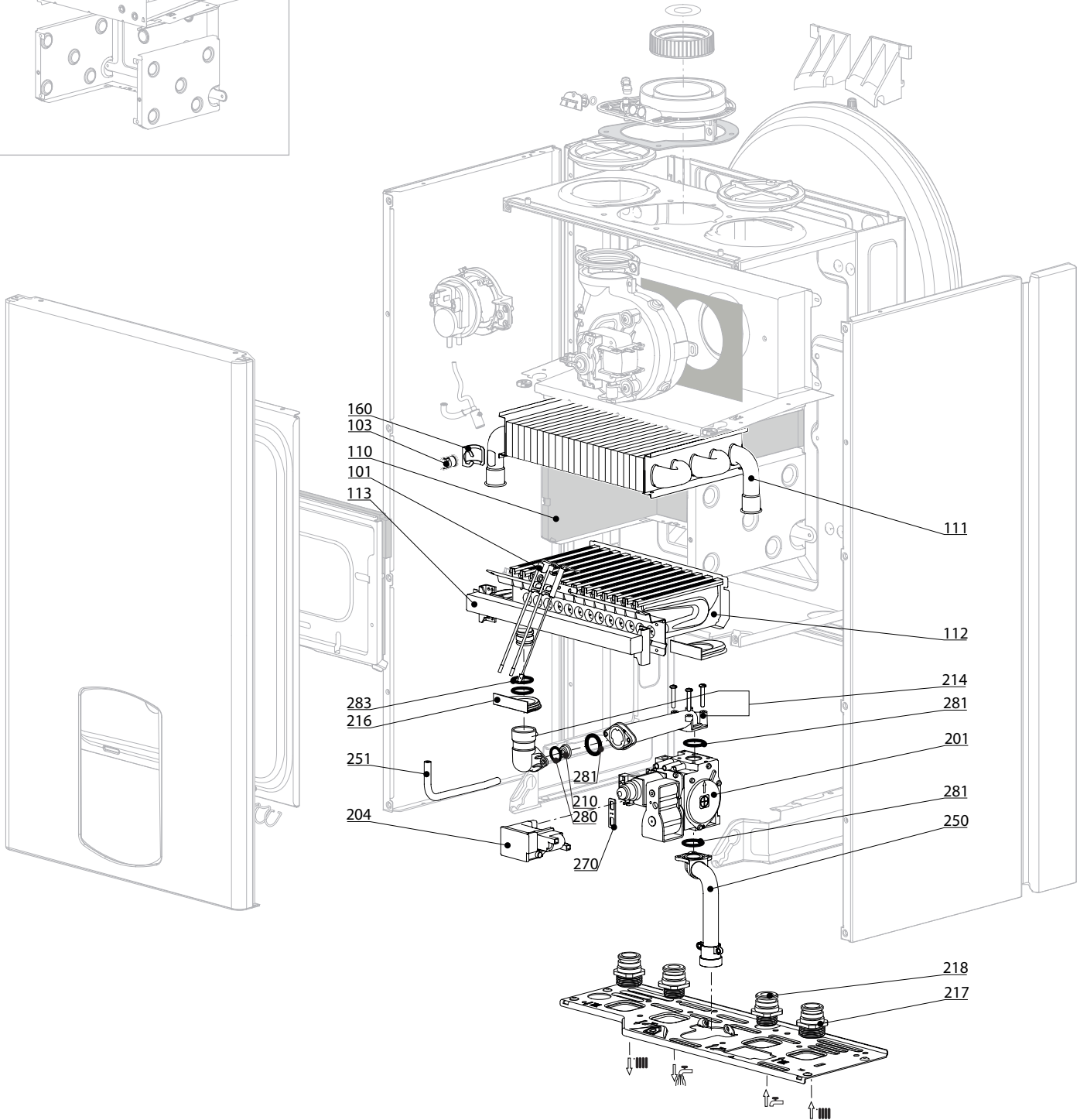
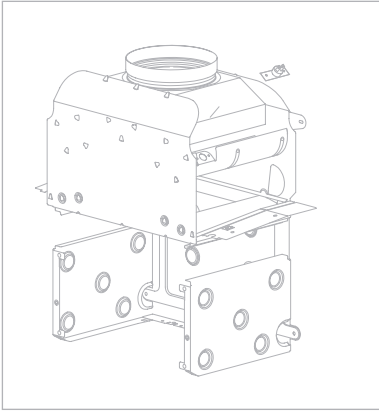
Model

MIRA C EVO

R8203345-01 - 07/06/2012

1	3310252	MIRA C EVO 25 CF FR BE	07-2012
2	3310251	MIRA C EVO 24 VMC FR	07-2012
3	3310306	MIRA C EVO 25 30 FF FR BE	07-2012

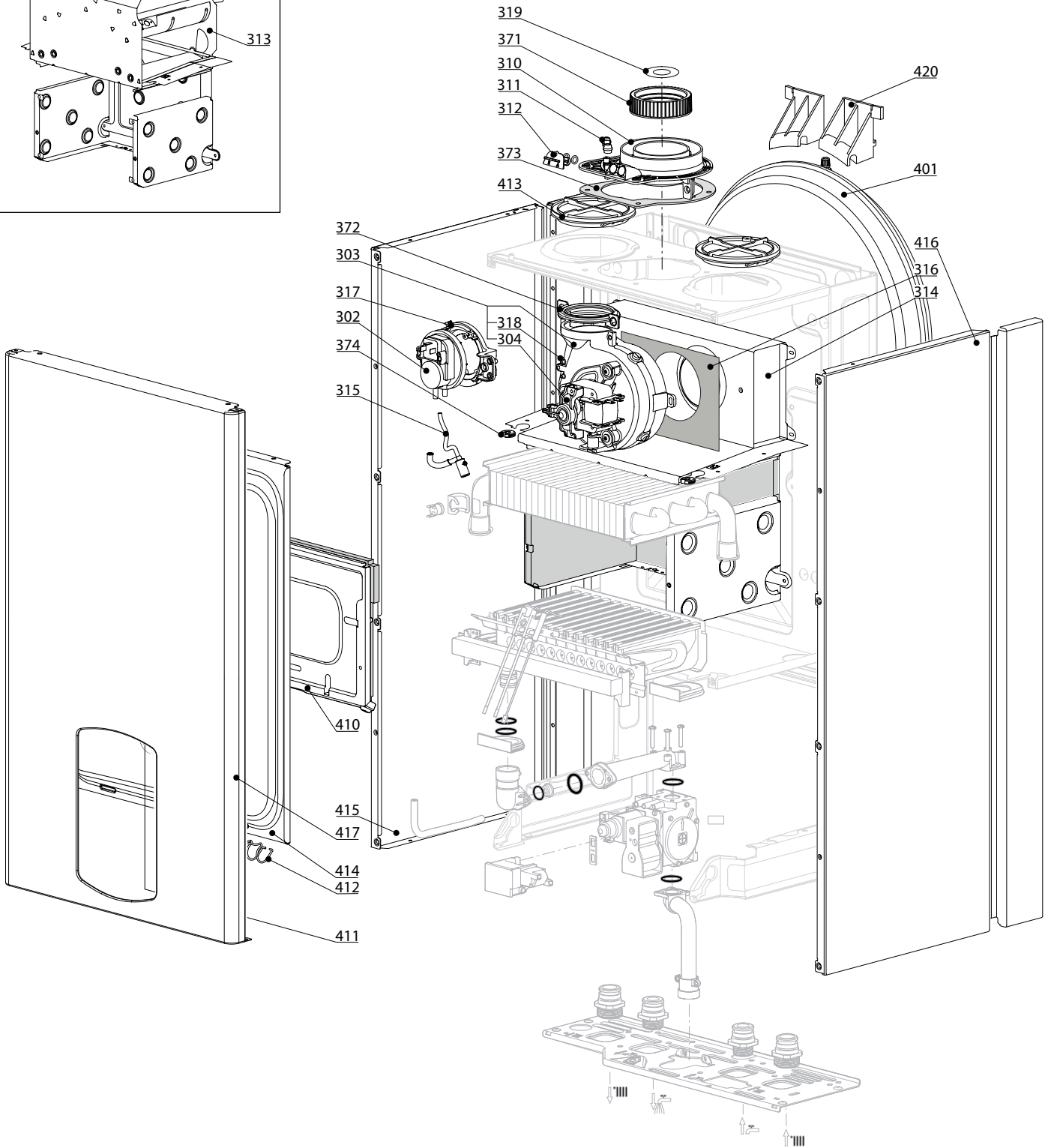
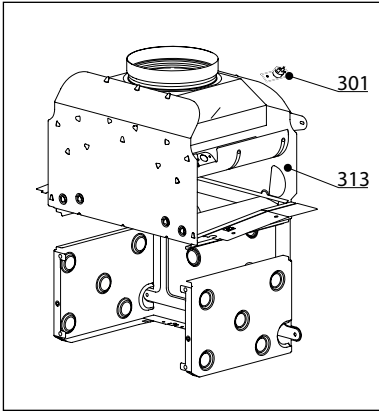
Col	Reference	Model type	Begin	End
-----	-----------	------------	-------	-----



MIRA C EVO 23 CF
MIRA C EVO 24 VMC
MIRA C EVO 25 30 FF

31

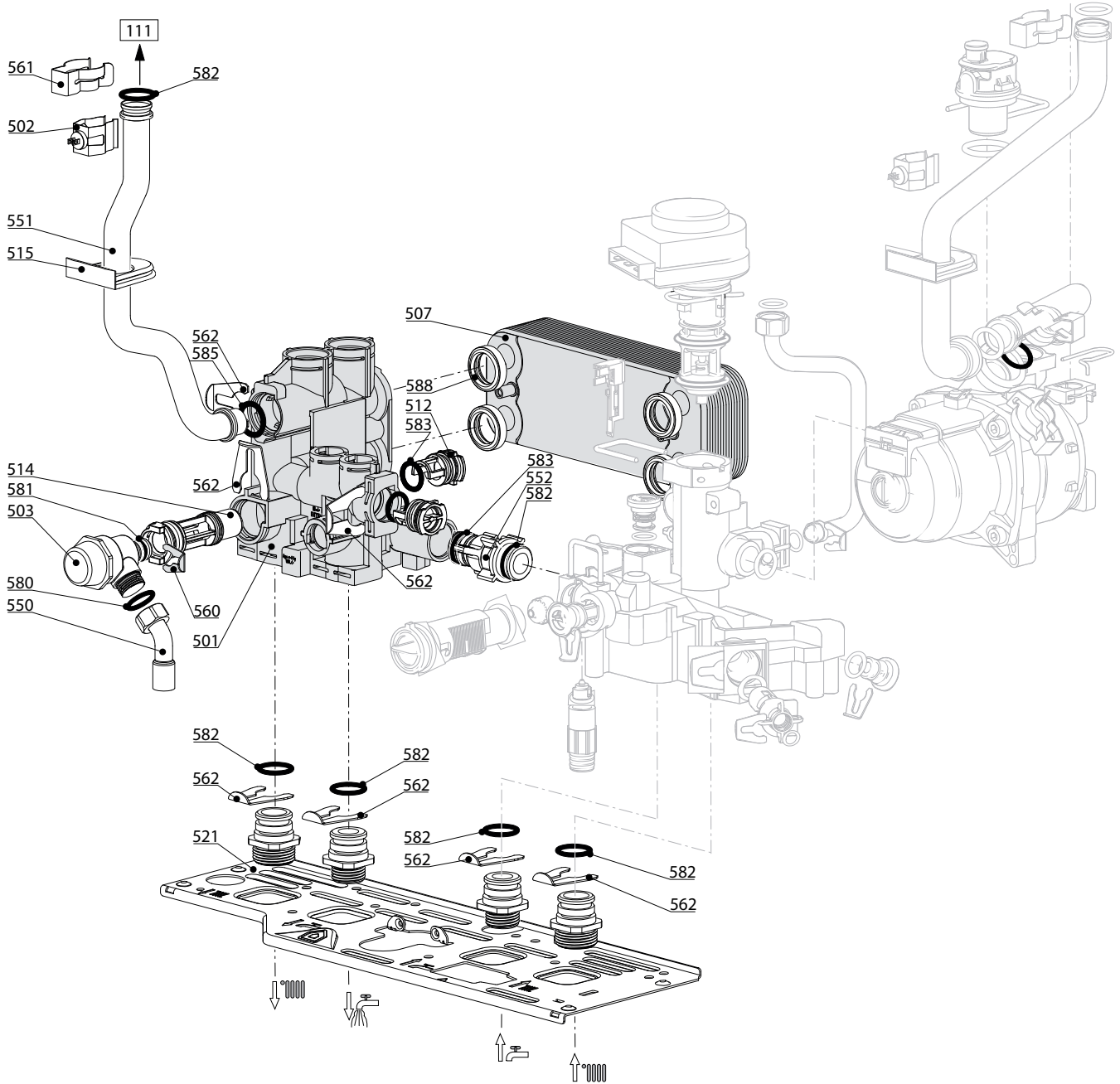
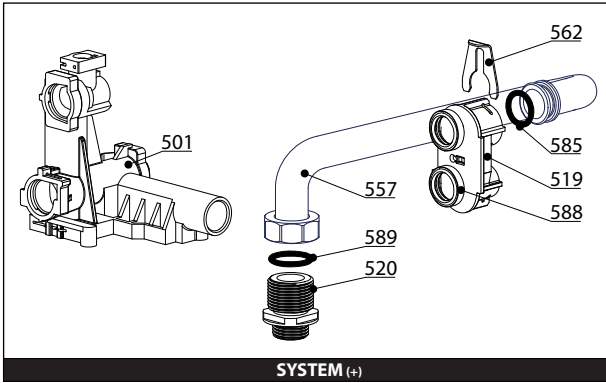
Description	Manf. Pt. N	Type																		
			1	2	3	4	5	6	7	8	9	10	11	12	13	14	15	16	17	18
0100 BURNER ASSEMBLY																				
0101 ELECTRODE (IGNITION/DETECTION)	65104549		•	•	•															
0110 PANELS (KIT)	65104695	MET	•	•	•															
0111 MAIN EXCHANGER	65104246				•															
MAIN EXCHANGER	65104247	MET	•	•																
0112 BURNER 13NP	65104220					•														
BURNER	60001582	MET	•	•																
0113 GAS MANIFOLD 13 INJ. D:1.32	65104226	MET				•														
GAS MANIFOLD 13 INJ. D:1.25	65104302	MET	•	•																
0200 GAS SECTION																				
0201 GAS VALVE	65104254	MET	•	•	•															
0204 SPARK GENERATOR	60001888		•	•	•															
0210 RESTRICTOR D: 6.3	60000018	MET	•	•																
RESTRICTOR D: 7	65105152	MET				•														
0214 PIPE (GAS VALVE/BURNER)	65104230		•	•	•															
0216 GROMMET	60000624		•	•	•															
0217 UNION (3/4)	65104326		•	•	•															
0218 UNION (1/2)	65104327		•	•	•															
0250 GAS TUBE	60000720		•	•	•															
0251 EPDM PIPE	65104296					•														
0270 GASKET (SPARK GENERATOR)	574279		•	•	•															
0280 O-RING D: 14-2.00	60000903	MET	•	•	•															
0281 O-RING 22,22X2,62	65104304		•	•	•															
0283 O-RING 17,17X1,78	65104303		•	•	•															



MIRA C EVO 23 CF
MIRA C EVO 24 VMC
MIRA C EVO 25 30 FF

31

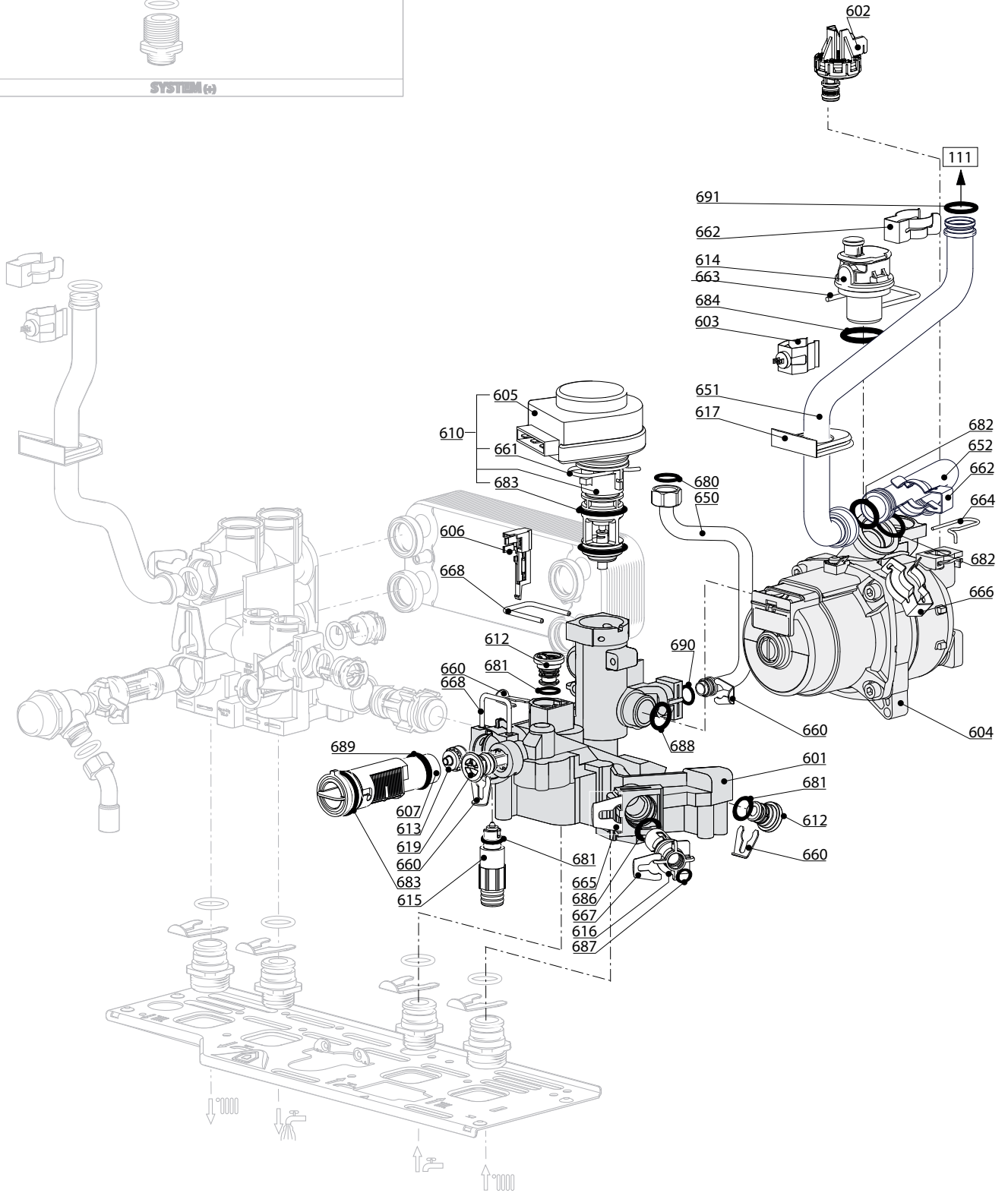
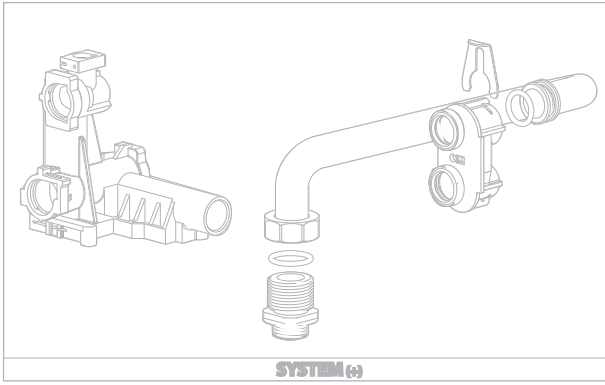
Description	Manf. Pt. N	Type																		
			1	2	3	4	5	6	7	8	9	10	11	12	13	14	15	16	17	18
0300 FAN ASSEMBLY																				
0301 OVERHEAT THERMOSTAT 49C	61310767			●																
THERMOSTAT 75-65°C	999539			●																
0302 AIR PRESSURE SWITCH 74 Pa	65104672-01				●															
0303 FAN	65104231				●															
0304 HALL SENSOR 28/30/35 FF	65108255				●															
0310 FLUE (EXHAUST MANIFOLD / HEADER)	65105393				●															
0311 AIR INTAKE COVER	573329				●															
0312 FLUE INTAKE PLUG	65104295				●															
0313 COMBUSTION CHAMBER 24CF	65104218	MET		●	●															
0314 COMBUSTION CHAMBER 24/28 FF	65104219				●															
0315 CONDENSATE TRAP	65104623				●															
0316 PANEL (INSULATION - FAN)	65104305				●															
0317 SUPPORT (AIR PRESSURE SWITCH)	65104378				●															
0318 VENTURI 28/30FF	65106515				●															
0319 RESTRICTOR KIT	60001598				●															
0371 COLLAR GASKET	65104258				●															
0372 FAN GASKET	65104257				●															
0373 GASKET	60000317				●															
0374 CABLE INLET RUBBER WASHER	60000716			●	●	●														
0400 SEALED CASE																				
0401 EXPANSION VESSEL	65104261			●	●	●														
0410 PANEL (COMBUSTION CHAMBER)	65104240	MET		●	●	●														
0411 SIGHT GLASS	65104232				●															
0412 SPRING FRONT PANEL (KIT)	65104298				●															
0413 AIR RETURN COVER	65104249				●															
0414 PANEL (FRONT - SEALED CHAMBER)	65105679				●															
0415 CASE PANEL (L.H. SIDE)	65105676			●	●	●														
0416 CASE PANEL (R.H. SIDE)	65105677			●	●	●														
0417 CASE PANEL (FRONT)	60000983			●	●	●														
0420 EXPANSION VESSEL SUPPORT	65104696			●	●	●														



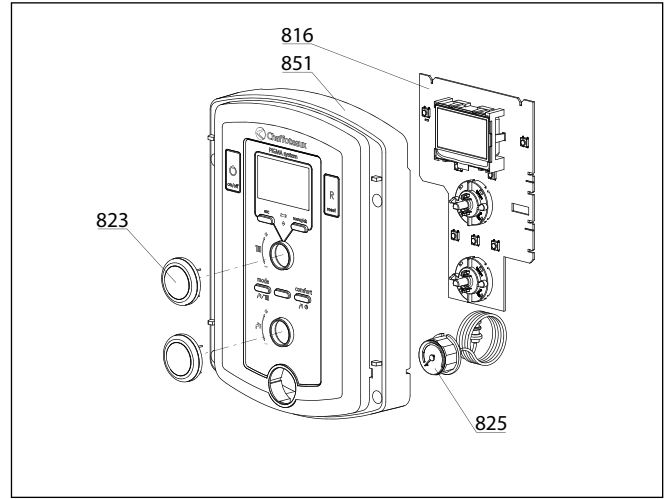
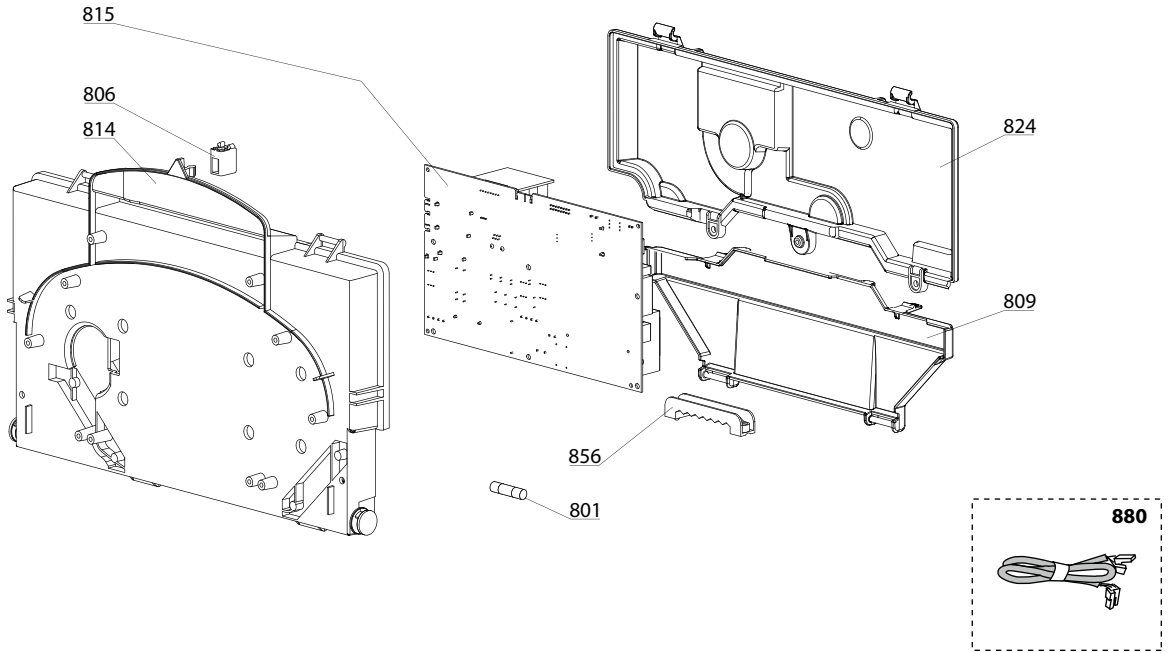
MIRA C EVO 23 OF
MIRA C EVO 24 VMC
MIRA C EVO 25 30 FF

31

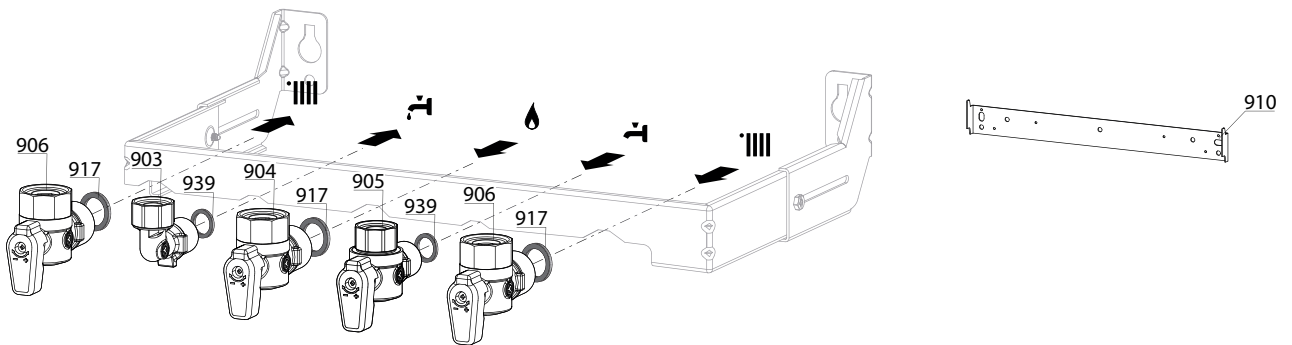
Description	Manf. Pt. N	Type																		
			1	2	3	4	5	6	7	8	9	10	11	12	13	14	15	16	17	18
0500 FLOW GROUP																				
0501 FLOW GROUP	60001952		•	•	•															
0502 TEMPERATURE PROBE + CLIP	990686		•	•	•															
0503 PRESSURE RELIEF VALVE 3 BAR	61312668		•	•	•															
0507 WATER / WATER HEAT EXCHANGER 16	65104333		•	•	•															
0512 PLUG	65104445		•	•	•															
0514 BY-PASS	65104336		•	•	•															
0515 GROMMET	60000808		•	•	•															
0521 HYDRAULIC GROUP SUPPORT	60001375		•	•	•															
0550 PIPE (SAFETY VALVE)	65104447		•	•	•															
0551 HEATING FLOW TUBE	60000991	MET	•	•	•															
0552 BY-PASS PIPE	65104340		•	•	•															
0560 CLIP D:10	65104260		•	•	•															
0561 CLIP	61307589		•	•	•															
0562 CLIP D=18	65104259		•	•	•															
0580 SHEET GASKET D: 13.9-10.4-1.5	60061853-02		•	•	•															
0581 O - RING (15.88X2.62)	65104337		•	•	•															
0582 O-RING D: 17.86-2.62	61308091		•	•	•															
0583 O - RING (15.54X2.62)	65104325		•	•	•															
0585 O-RING 3,53X17,04	65104262		•	•	•															
0588 EXCHANGER GASKET	65104334		•	•	•															



☉⇒	Description	Manf. Pt. N	Type	<div style="display: flex; justify-content: space-between; align-items: center;"> <div style="transform: rotate(-45deg); font-size: small;"> MIRA C EVO 23 CF MIRA C EVO 24 VMC MIRA C EVO 25 30 FF </div> <div style="border: 1px solid black; padding: 2px;">31</div> </div>																	
				1	2	3	4	5	6	7	8	9	10	11	12	13	14	15	16	17	18
0600	RETURN GROUP																				
0601	RETURN GROUP	60000874		•	•	•															
0602	LOW PRESSURE SWITCH	65105090				•															
0603	TEMPERATURE PROBE + CLIP	990686		•	•	•															
0604	PUMP 5M 2V	65104319		•	•	•															
0605	MOTOR - THREE-WAY VALVE	61302483-01		•	•	•															
0606	SENSOR (REED)	65104323		•	•	•															
0607	FLOW METER	60000870		•	•	•															
0610	MOTOR + SPRING 3 WAY VALVE KIT	60001583		•	•	•															
0612	PLUG	65104377		•	•	•															
0613	RIDUCTORS (KIT)	65104318		•	•	•															
0614	AUTO AIR VENT WITH O-RING	65104703		•	•	•															
0615	KIT DRAIN SCREW	60001385		•	•	•															
0616	WATER FILTER	60001372		•	•	•															
0617	GROMMET	60000807		•	•	•															
0619	CHECK VALVE CARTRIDGE	65105323		•	•	•															
0650	PIPE (EXPANSION VESSEL)	60000718		•	•	•															
0651	HEATING RETURN TUBE	60000723	MET	•	•	•															
0652	HEATING RETURN TUBE	60000992	MET	•	•	•															
0660	CLIP D:10	65104260		•	•	•															
0661	CLIP	65104332		•	•	•															
0662	CLIP	61307589		•	•	•															
0663	U-CLIP	65104704		•	•	•															
0664	CLIP	65104322				•															
0665	CLIP	65104331		•	•	•															
0666	CLIP	60000309		•	•	•															
0667	CLIP	65100680		•	•	•															
0668	CLIP	65104316		•	•	•															
0680	GASKET 3/8	573521		•	•	•															
0681	O - RING (9.19X2.62)	65104313		•	•	•															
0682	O-RING 3,53X17,04	65104262		•	•	•															
0683	O - RING (23.47X2.62)	65104315		•	•	•															
0684	O-RING	65104705		•	•	•															
0686	O - RING (15.54X2.62)	65104325		•	•	•															
0687	O RING D: 5.7-1.9	61009834-10		•	•	•															
0688	O - RING (21.89X2.62)	65104320		•	•	•															
0689	O-RING 17,17X1,78	65104303		•	•	•															
0690	O-RING D: 8.9-2.7	61009834-14		•	•	•															
0691	O-RING D: 17.86-2.62	61308091		•	•	•															



900



5000

5001
 Transf. gaz > GPL
 Conv. gas > GPL
 Trasn. gas > GPL
 Transf. gas > GPL

5002
 Transf. gaz > Nat
 Conv. gas > Nat
 Trasn. gas > Met
 Transf. gas > Met

5020
 Options
 Accessories
 Opzioni
 Accessorio

☉→	Description	Manf. Pt. N	Type	<div style="display: flex; justify-content: space-between; align-items: center;"> <div style="transform: rotate(-45deg); font-size: small;"> MIRA C EVO 23 OF MIRA C EVO 24 VMC MIRA C EVO 25 30 FF </div> <div style="border: 1px solid black; padding: 2px;">31</div> </div>																	
				1	2	3	4	5	6	7	8	9	10	11	12	13	14	15	16	17	18
0800	ELECTRICAL BOX																				
0801	FUSE 250V 2A - TEMPORIZED	61003456		•	•	•															
0806	PUSH	65104228		•	•	•															
0809	INSPECTION COVER	60001618		•	•	•															
0814	CONTROL PANEL	60001616		•	•	•															
0815	PRINTED CIRCUIT BOARD	60001897		•	•	•															
0816	PRINTED CIRCUIT BOARD (DISPLAY)	60001906		•	•	•															
0823	PUSH BUTTON	60001933		•	•	•															
0824	CONTROL PANEL COVER (REAR)	60001617		•	•	•															
0825	PRESSURE GAUGE	60001907		•	•	•															
0851	FRONT CONTROL PANEL COMPLETE	60001908		•	•	•															
0856	CABLE CLAMP	65103377		•	•	•															
0880	DISPLAY WIRING	60000746		•	•	•															
	FEEDER 240V	60001619		•	•	•															
	FLOW METER CABLE - PRES SENSOR CABLE	60001620		•	•	•															
	THREE WAY VALVE CABLE	60001621		•	•	•															
	IONIZATION ELECTRODE CABLE	60001883		•	•	•															
	NTC - GAS VALVE CABLE	60001885		•	•	•															
	NTC - PRES SWITCH CABLE	60001889					•														
	NTC PROBE - OVERHEAT THERMOSTAT CABLE	60001890			•																
	OVERHEAT THERMOSTAT CABLE	60001892					•														
	FAN CABLE	60001893					•														
	NTC PROBE - OVERHEAT THERMOSTAT CABLE	60001900		•																	
	CONTACT SOCKET CONNECTOR 2 P.	60001903		•	•	•															
	CONTACT SOCKET CONNECTOR 2 P.	60001904		•	•	•															
	EARTH WIRE	65104286		•	•	•															
	IONIZATION ELECTRODE CABLE	65104518		•	•	•															
	PUMP 2V CABLE 5M	65104520	WILO	•	•	•															
0900	JIG PLATE & PIPE FITTING																				
0903	HOT WATER CONNECTION	60000891		•	•	•															
0904	GAS SERVICE TAP	60000898		•	•	•															
0905	COLD WATER TAP	60000895		•	•	•															
0906	WATER FLOW & RETURN SERVI. TAP	60000885		•	•	•															
0910	WALL HOOK	60000625		•	•	•															
0917	SHEET GASKET D: 24-17-1.5	60061855-19		•	•	•															
0939	SHEET GASKET D: 16.5-11-1.5	60061854-14		•	•	•															

LIST OF THE ABBREVIATIONS

HW	: Hot water.
CW	: Cold water.
C	: Ceramic resistance (normal heating).
Ca	: Ceramic resistance (accelerated heating)
TP	: Immersion heater.
1F	: With fittings.
2F	: Without fittings.
3F	: With fittings and another outlet connection.
AMI	: With mixing valve.
SMI	: Without mixing valve.
PUISS	: Power of th appliance.
PN	: Appliance with normal pression.
LP	: Appliance with low pression.
PV	: Appliance with variable power.
PF	: Appliance with fixed power.

IDENTIFICATION PLATE

SERIAL NUMBER

10 Characters :

04 05 125 011
 Year of manufacture Manufacturing day Sequential number

11 Characters :

1 95 065004 - 31
 Month of manufacture : Technical number of the appliance
 from 1 to 9 → Jan. to Sep.,
 O → Oct., N → Nov.,
 D → Dec. Sequential number
 Year of manufacture

19 Characters :

08 05 0013199 900640031
 Year of manufacture Product reference
 Month of manufacture Sequential number

20 Characters :

3675007 XX 2 07 070 00315
 Product reference Sequential number
 Millenium of manufacture Manufacturing day
 Year of manufacture

21 Characters :

3675007 XX 07 070 0000315
 Product reference Sequential number
 Year of manufacture Manufacturing day