

SPARE PARTS EXPLODED VIEW GAS WALL BOILERS

Model

MIRA C

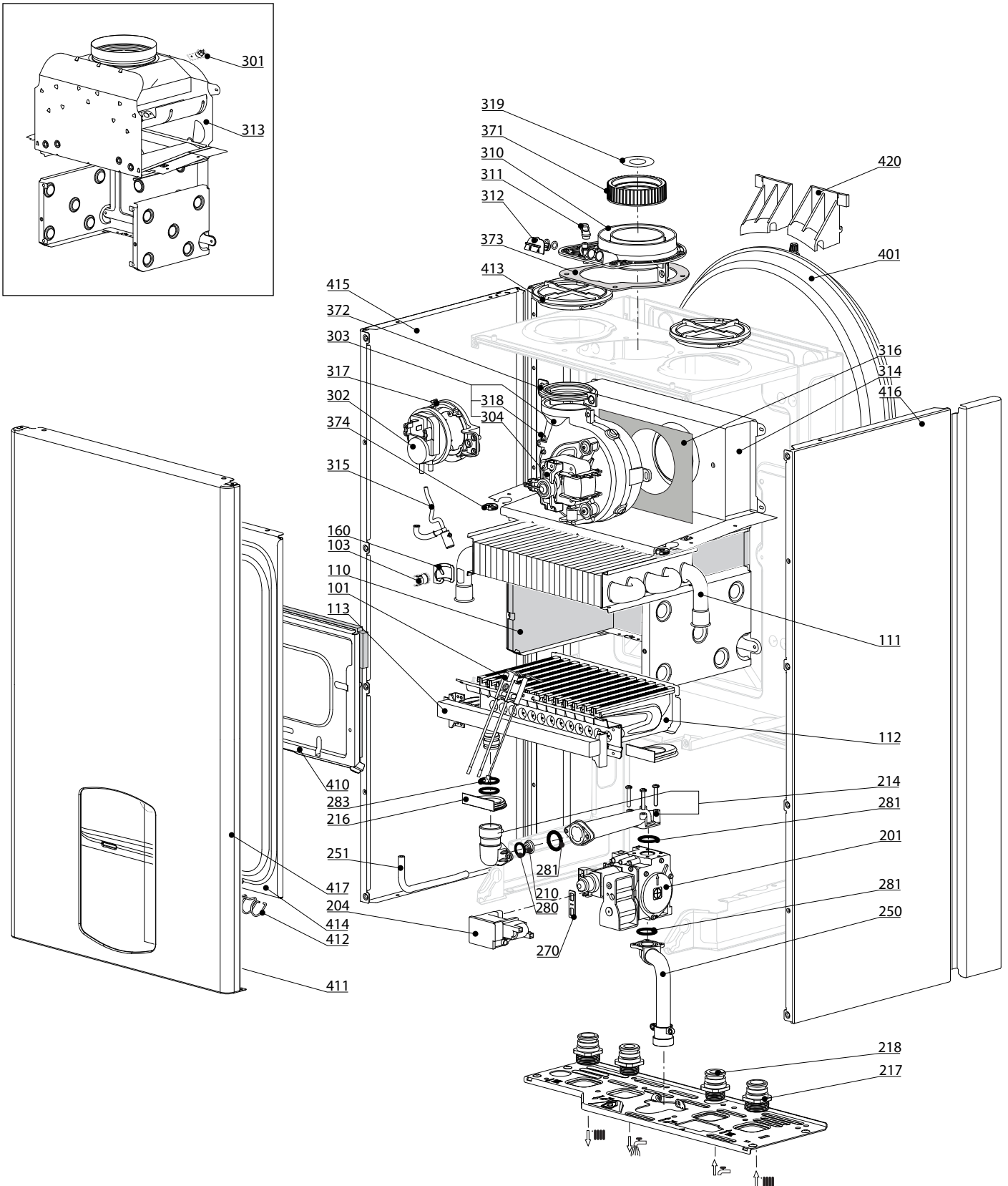
R8203185-04 - 26/03/2012

1	3650290	MIRA C 25 CF N FR	04/08	01/10
1	3310090	MIRA C 25 CF N FR	02/10	...
1	3650291	MIRA C 25 CF B/P FR
2	3650292	MIRA C 24 VMC N FR	04/08	04/10
2	3310088	MIRA C 24 VMC N FR	05/10	...
3	3650293	MIRA C 25 FF N FR	03/08	01/10
3	3310085	MIRA C 25 FF N FR	02/10	...
3	3650294	MIRA C 25 FF B/P FR	04/08	...
4	3650295	MIRA C 30 FF N FR	...	02/10
4	3310105	MIRA C 30 FF N FR	03/10	...
Col	Reference	Model type	Begin	End

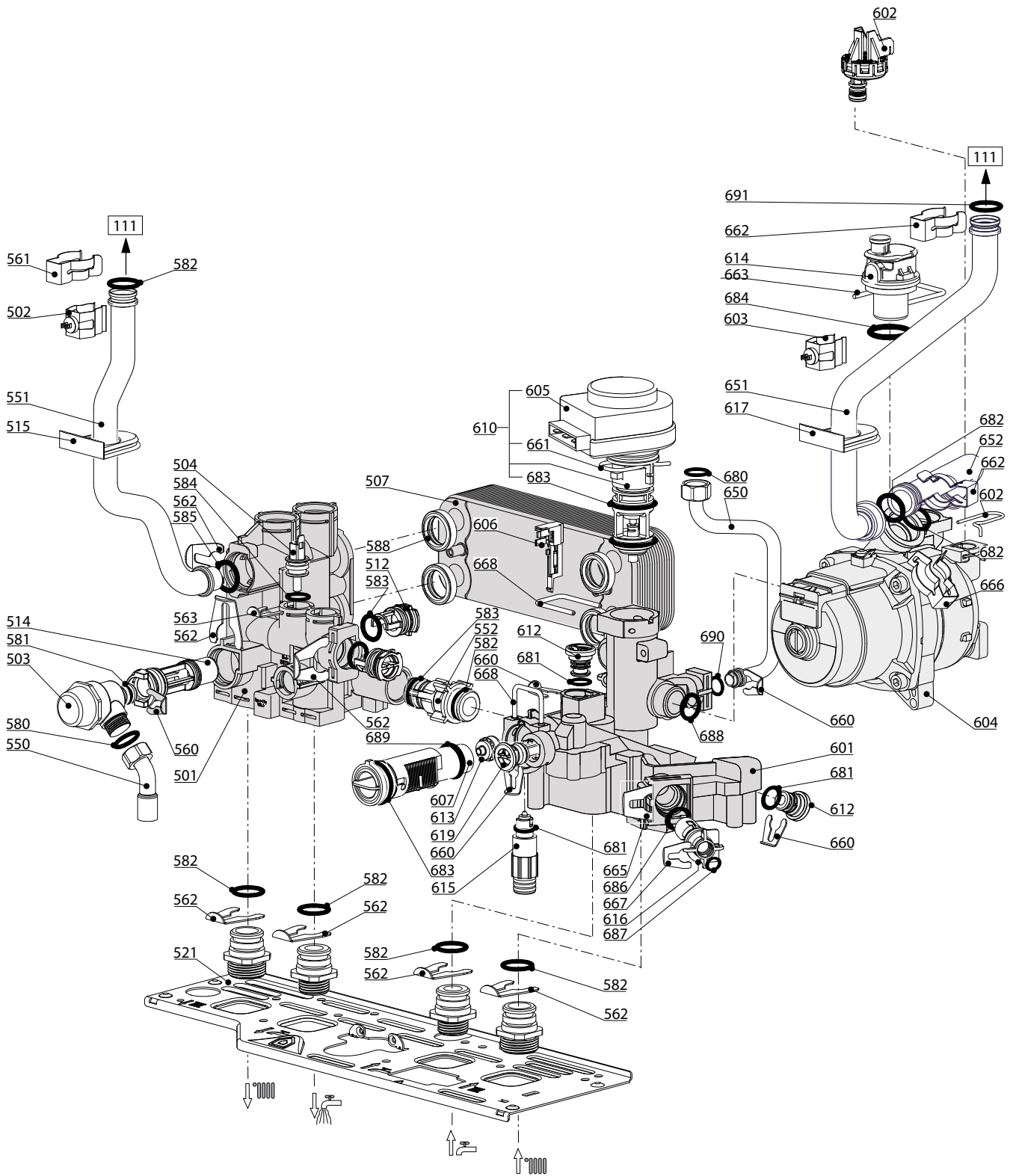
100
200
300
400

MIRA C

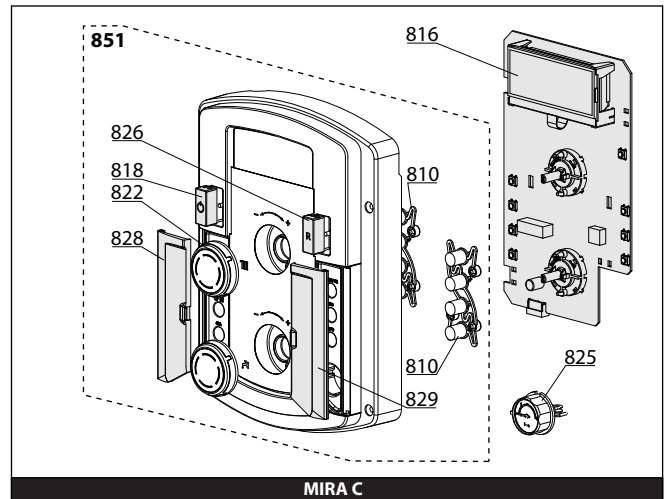
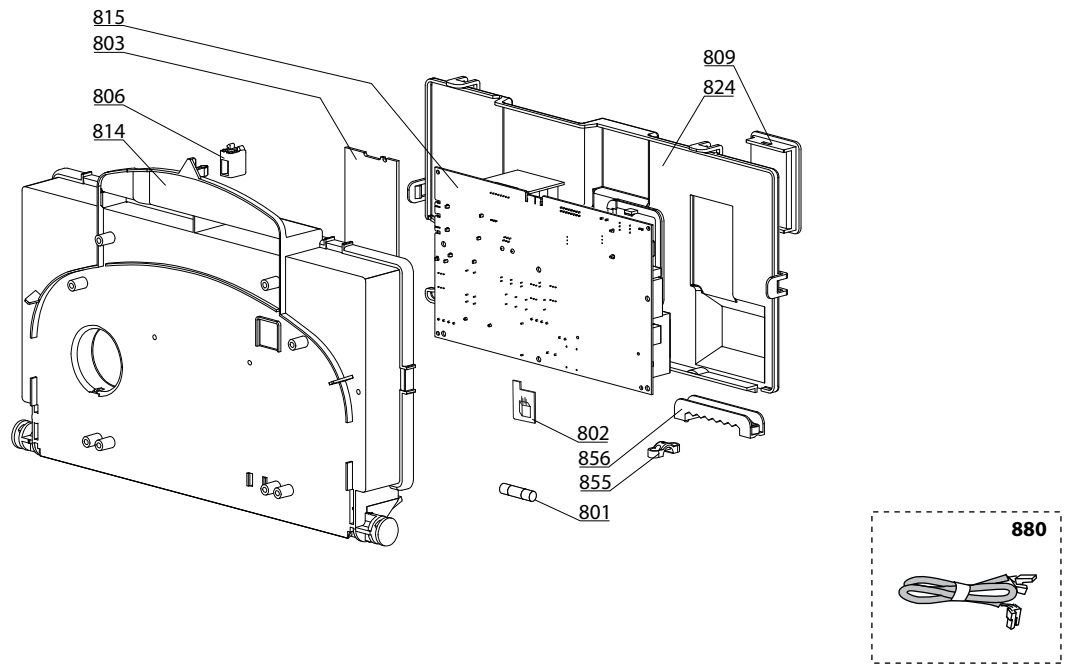
Domestic Gas Boilers



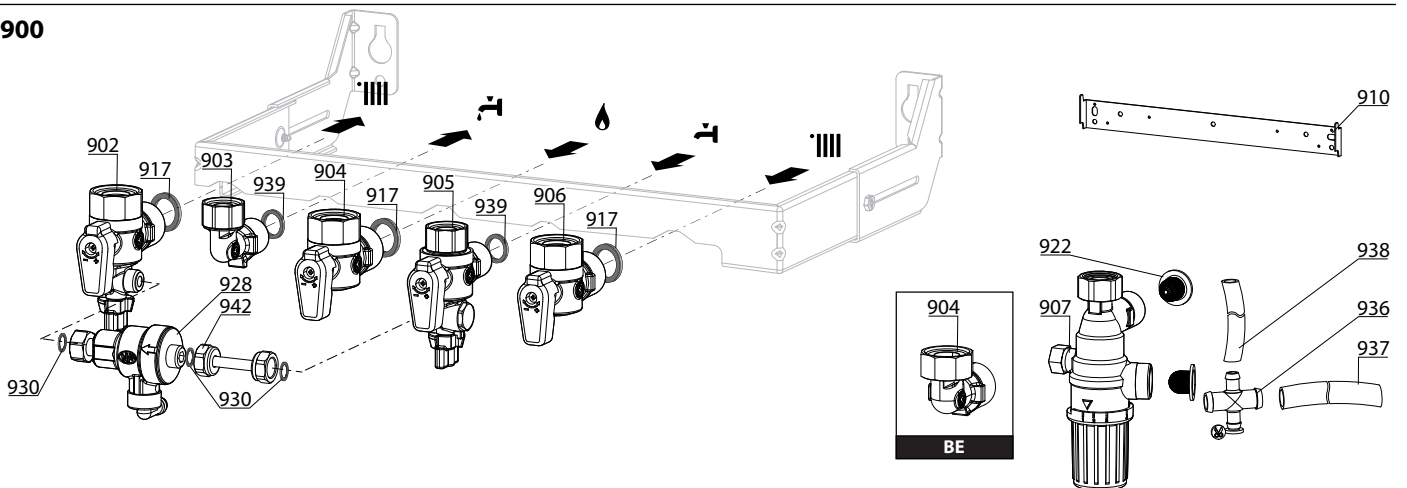
☺	Description	Manf. Pt. N	Type																			31
				1	2	3	4	5	6	7	8	9	10	11	12	13	14	15	16	17	18	
0100	BURNER ASSEMBLY																					
0101	ELECTRODE (IGNITION/DETECTION)	65104549		•	•	•	•															
0103	THERMOSTAT 102°	65104500		•	•	•	•															
0110	PANELS (KIT)	65104695		•	•	•	•															
	PANELS (KIT)	65106298					•															
0111	MAIN EXCHANGER	65104246					•															
	MAIN EXCHANGER	65104247		•	•																	
	MAIN EXCHANGER	65106297					•															
0112	BURNER 13NP	65104220		•	•	•	•															
	BURNER 11NP	65106294					•															
0113	GAS MANIFOLD 13 INJ. D:0.76	65104223	B/P	•																		
	GAS MANIFOLD 13 INJ. D:1.32	65104226	NAT				•															
	GAS MANIFOLD 13 INJ. D:1.25	65104302	NAT	•	•																	
	GAS MANIFOLD 11 INJ. D:1.32	65106302	NAT				•															
0160	CLIP	61010050		•	•	•	•															
0200	GAS SECTION																					
0201	GAS VALVE	65104254		•	•	•	•															
0204	SPARK GENERATOR	65104653		•	•	•	•															
0210	RESTRICTOR D: 6.3	60000018	NAT	•	•																	
	RESTRICTOR D: 5.7	60000498	NAT				•															
	RESTRICTOR D: 7	65105152	NAT					•														
0214	PIPE (GAS VALVE/BURNER)	65104230		•	•	•	•															
0216	GROMMET	60000624		•	•	•	•															
0217	UNION (3/4)	65104326		•	•	•	•															
0218	UNION (1/2)	65104327		•	•	•	•															
0250	GAS TUBE	60000720		•	•	•	•															
0251	EPDM PIPE	65104296					•	•														
0270	GASKET (SPARK GENERATOR)	574279		•	•	•	•															
0280	O-RING D: 14-2.00	60000903	NAT	•	•	•	•															
0281	O-RING 22,22X2,62	65104304		•	•	•	•															
0283	O-RING 17,17X1,78	65104303		•	•	•	•															
0300	FAN ASSEMBLY																					
0301	OVERHEAT THERMOSTAT 49C	61310767					•															
	THERMOSTAT 75-65°C	999539		•																		
0302	AIR PRESSURE SWITCH 50 Pa	65104671-01																				
	AIR PRESSURE SWITCH 74 Pa	65104672-01																				
0303	FAN	65104231																				
	FAN	65104255																				
0304	HALL SENSOR 28/30/35 FF	65108255																				
	HALL SENSOR 15/24/25 FF	65108301																				
0310	FLUE (EXHAUST MANIFOLD / HEADER)	65105393																				
0311	AIR INTAKE COVER	573329																				
0312	FLUE INTAKE PLUG	65104295																				
0313	COMBUSTION CHAMBER 24CF	65104218		•	•																	
0314	COMBUSTION CHAMBER 24/28 FF	65104219																				
	COMBUSTION CHAMBER 24/28 FF	65106295																				
0315	CONDENSATE TRAP	65104623																				
0316	PANEL (INSULATION - FAN)	65104305																				
0317	SUPPORT (AIR PRESSURE SWITCH)	65104378																				
0318	VENTURI 28/30FF	65106515																				
	VENTURI 15/24FF	65106516																				
0319	RESTRICTOR KIT	60001598																				
0371	COLLAR GASKET	65104258																				
0372	FAN GASKET	65104257																				
0373	GASKET	60000317																				
0374	CABLE INLET RUBBER WASHER	60000716		•	•	•	•															
0400	SEALED CASE																					
0401	EXPANSION VESSEL	65104261		•	•	•	•															
0410	PANEL (COMBUSTION CHAMBER)	65104240		•	•		•															
	PANEL (COMBUSTION CHAMBER)	65106296																				
0411	SIGHT GLASS	65104232																				
0412	SPRING FRONT PANEL (KIT)	65104298																				
0413	AIR RETURN COVER	65104249																				
0414	PANEL (FRONT - SEALED CHAMBER)	65105678																				
0415	CASE PANEL (L.H. SIDE)	65105676		•	•	•	•															
0416	CASE PANEL (R.H. SIDE)	65105677		•	•	•	•															
0417	CASE PANEL (FRONT)	60000983		•	•	•	•															
0420	EXPANSION VESSEL SUPPORT	65104696		•	•	•	•															



☉→	Description	Manf. Pt. N	Type	<div style="display: flex; justify-content: space-between; align-items: center;"> <div style="writing-mode: vertical-rl; transform: rotate(180deg); font-size: 8px;">MIRA C 25 CF</div> <div style="writing-mode: vertical-rl; transform: rotate(180deg); font-size: 8px;">MIRA C 24 VMC</div> <div style="writing-mode: vertical-rl; transform: rotate(180deg); font-size: 8px;">MIRA C 23 FF</div> <div style="writing-mode: vertical-rl; transform: rotate(180deg); font-size: 8px;">MIRA C 30 FF</div> </div>																		31
				1	2	3	4	5	6	7	8	9	10	11	12	13	14	15	16	17	18	
0500	FLOW GROUP																					
0501	FLOW GROUP	60000844		•	•	•	•															
0502	TEMPERATURE PROBE + CLIP	990686		•	•	•	•															
0503	PRESSURE RELIEF VALVE 3 BAR	61312668		•	•	•	•															
0504	NTC PROBE	65104338		•	•	•	•															
0507	WATER / WATER HEAT EXCHANGER 16	65104333		•	•	•	•															
0512	PLUG	65104445		•	•	•	•															
0514	BY-PASS	65104336		•	•	•	•															
0515	GROMMET	60000808		•	•	•	•															
0521	HYDRAULIC GROUP SUPPORT	60001375		•	•	•	•															
0550	PIPE (SAFETY VALVE)	65104447		•	•	•	•															
0551	HEATING FLOW TUBE	60000991		•	•		•															
	HEATING FLOW TUBE	60001133					•															
0552	BY-PASS PIPE	65104340		•	•	•	•															
0560	CLIP D:10	65104260		•	•	•	•															
0561	CLIP	61307589		•	•	•	•															
0562	CLIP D=18	65104259		•	•	•	•															
0563	CLIP	65104339		•	•	•	•															
0580	SHEET GASKET D: 13.9-10.4-1.5	60061853-02		•	•	•	•															
0581	O - RING (15.88X2.62)	65104337		•	•	•	•															
0582	O-RING D: 17.86-2.62	61308091		•	•	•	•															
0583	O - RING (15.54X2.62)	65104325		•	•	•	•															
0584	O-RING D: 11.91-2.62	60000850		•	•	•	•															
0585	O-RING 3,53X17,04	65104262		•	•	•	•															
0588	EXCHANGER GASKET	65104334		•	•	•	•															
0600	RETURN GROUP																					
0601	RETURN GROUP	60000874		•	•	•	•															
0602	LOW PRESSURE SWITCH	65105090					•	•														
0603	TEMPERATURE PROBE + CLIP	990686		•	•	•	•															
0604	PUMP 5M 2V	65104319		•	•	•	•															
0605	MOTOR - THREE-WAY VALVE	61302483-01		•	•	•	•															
0606	SENSOR (REED)	65104323		•	•	•	•															
0607	FLOW METER	60000870		•	•	•	•															
0610	MOTOR + SPRING 3 WAY VALVE KIT	60001583		•	•	•	•															
0612	PLUG	65104377		•	•	•	•															
0613	RIDUCTORS (KIT)	65104318		•	•	•	•															
0614	AUTO AIR VENT WITH O-RING	65104703		•	•	•	•															
0615	KIT DRAIN SCREW	60001385		•	•	•	•															
0616	WATER FILTER	60001372		•	•	•	•															
0617	GROMMET	60000807		•	•	•	•															
0619	PLUG	65104377		•	•	•	•															
0650	PIPE (EXPANSION VESSEL)	60000718		•	•	•	•															
0651	HEATING RETURN TUBE	60000723		•	•		•															
	HEATING RETURN TUBE	60001132					•															
0652	HEATING RETURN TUBE	60000992		•	•	•	•															
0660	CLIP D:10	65104260		•	•	•	•															
0661	CLIP	65104332		•	•	•	•															
0662	CLIP	61307589		•	•	•	•															
0663	U-CLIP	65104704		•	•	•	•															
0664	CLIP	65104322					•	•														
0665	CLIP	65104331		•	•	•	•															
0666	CLIP	60000309		•	•	•	•															
0667	CLIP	65100680		•	•	•	•															
0668	CLIP	65104316		•	•	•	•															
0680	GASKET 3/8	573521		•	•	•	•															
0681	O - RING (9.19X2.62)	65104313		•	•	•	•															
0682	O-RING 3,53X17,04	65104262		•	•	•	•															
0683	O - RING (23.47X2.62)	65104315		•	•	•	•															
0684	O-RING	65104705		•	•	•	•															
0686	O - RING (15.54X2.62)	65104325		•	•	•	•															
0687	O RING D: 5.7-1.9	61009834-10		•	•	•	•															
0688	O - RING (21.89X2.62)	65104320		•	•	•	•															
0689	O-RING 17,17X1,78	65104303		•	•	•	•															
0690	O-RING D: 8.9-2.7	61009834-14		•	•	•	•															
0691	O-RING D: 17.86-2.62	61308091		•	•	•	•															



900



5000

5001
 Transf. gaz > B/P
 Conv. gas > LPG
 Trasn. gas > GPL
 Transf. gas > B/P
 Umrustsatz > B/P

5002
 Transf. gaz > Nat
 Conv. gas > Nat
 Trasn. gas > Met
 Transf. gas > Met
 Umrustsatz > Nat

5020
 Options
 Accessories
 Opzioni
 Accessorio
 Option

☉➔	Description	Manf. Pt. N	Type																			31
				1	2	3	4	5	6	7	8	9	10	11	12	13	14	15	16	17	18	
0800	ELECTRICAL BOX																					
0801	FUSE 250V 2A - TEMPORIZED	61003456		•	•	•	•															
0802	MODULE KIT (EEPROM)	65105148		•	•	•	•															
0803	P.C.B (CLIP-IN) E-BUS	65109108		•	•	•	•															
0806	PUSH	65104228		•	•	•	•															
0809	INSPECTION COVER	65104294		•	•	•	•															
0810	PUSH BUTTON	60000978		•	•	•	•															
0814	CONTROL PANEL	65104300		•	•	•	•															
0815	P.C.B. (MAIN)	65109313-02		•	•	•	•															
0816	PRINTED CIRCUIT BOARD (DISPLAY)	60000760-01		•	•	•	•															
0818	PUSH BUTTON ON/OFF	60000809		•	•	•	•															
0821	PUSH BUTTON	60000835		•	•	•	•															
0822	KNOB	60000762		•	•	•	•															
0824	CONTROL PANEL COVER (REAR)	65104293		•	•	•	•															
0825	PRESSURE GAUGE	60000725		•	•	•	•															
0826	BUTTON (RESET)	60000806		•	•	•	•															
0828	LEFT HAND DOOR	60000761		•	•	•	•															
0829	RIGHT HAND DOOR	60000759		•	•	•	•															
0851	FRONT CONTROL PANEL COMPLETE	60000805		•	•	•	•															
0855	CABLE CLAMP	571562		•	•	•	•															
0856	CABLE CLAMP	65103377		•	•	•	•															
0880	EARTH WIRE	65104286		•	•	•	•															
	DISPLAY WIRING	60000746	/ CN02	•	•	•	•															
	NTC - PRES. SENSOR - GAS VALVE CABLE	60000840	/ CN04	•	•	•	•															
	IONIZATION ELECTRODE CABLE	65104518	/ CN05	•	•	•	•															
	SHUNT CABLE	60000839	/ CN07		•																	
	TACHOMETER FAN CABLE	65104709	/ CN07			•	•															
	THREE WAY VALVE CABLE	65104523	/ CN09	•	•	•	•															
	PUMP 2V CABLE 5M	65104520	/ CN10	•	•	•	•															
	FAN CABLE	65107270	/ CN10			•	•															
	CLIP-IN E-BUS WIRING	65105169	/ CN11	•	•	•	•															
	FLOW METER CABLE	60000813	/ CN14	•	•	•	•															
	FEEDER 240V	60000993	/ CN20	•	•	•	•															
	NTC - OVERHEAT THER. - PRES SWITCH CABLE	60000814	/ CN22			•	•															
	NTC PROBE - OVERHEAT THERMOSTAT CABLE	60000838	/ CN22		•																	
	NTC PROBE - OVERHEAT THERMOSTAT CABLE	65104708	/ CN22	•																		
	ROOM THERMOSTAT CABLE	60000988	/ CN25	•	•	•	•															
0900	JIG PLATE & PIPE FITTING																					
0902	WATER FLOW SERVICE TAP	60000886		•	•	•	•															
0903	HOT WATER CONNECTION	60000891		•	•	•	•															
0904	GAS SERVICE TAP	60000898		•	•	•	•															
	UNION	65105631		•	•	•	•															
0905	COLD WATER TAP	60000894		•	•	•	•															
0906	WATER FLOW & RETURN SERVI. TAP	60000885		•	•	•	•															
0907	THERMOSTATIC MIXING VALVE	60001081		•	•	•	•															
0910	WALL HOOK	60000625		•	•	•	•															
0917	SHEET GASKET D: 24-17-1.5	60061855-19		•	•	•	•															
0922	FILTER	60001087		•	•	•	•															
0928	DISCONNECTOR	60000881		•	•	•	•															
0930	SHEET GASKET D: 11-5-1.5	60061853-07		•	•	•	•															
0936	UNION	60000879		•	•	•	•															
0937	TUBE PVC D: 13x17 L: 1M	60081266-02		•	•	•	•															
0938	TUBE PVC D: 9x12 L: 1M	60081266		•	•	•	•															
0939	SHEET GASKET D: 16.5-11-1.5	60061854-14		•	•	•	•															
0942	FILLER NECK	60001078		•	•	•	•															
5000	ACCESSORIES																					
5001	BURNER JET FULL KIT (LPG)	65104582					•															
	BURNER JET FULL KIT (LPG)	65106690		•		•																
5002	BURNER JET FULL KIT (NG) FR	65104585					•															
	BURNER JET FULL KIT (NG) FR	65106692		•		•																
5020	ROD PLATE	60000999		•	•	•	•															

LIST OF THE ABBREVIATIONS

HW	: Hot water.
CW	: Cold water.
C	: Ceramic resistance (normal heating).
Ca	: Ceramic resistance (accelerated heating)
TP	: Immersion heater.
1F	: With fittings.
2F	: Without fittings.
3F	: With fittings and another outlet connection.
AMI	: With mixing valve.
SMI	: Without mixing valve.
PUISS	: Power of th appliance.
PN	: Appliance with normal pression.
LP	: Appliance with low pression.
PV	: Appliance with variable power.
PF	: Appliance with fixed power.

IDENTIFICATION PLATE

SERIAL NUMBER

10 Characters :

04 05 125 011
 Year of manufacture Manufacturing day Sequential number

11 Characters :

1 95 065004 - 31
 Month of manufacture : Technical number of the appliance
 from 1 to 9 → Jan. to Sep.,
 O → Oct., N → Nov.,
 D → Dec. Sequential number Year of manufacture

19 Characters :

08 05 0013199 900640031
 Year of manufacture Product reference
 Month of manufacture Sequential number

20 Characters :

3675007 XX 2 07 070 00315
 Product reference Sequential number
 Millenium of manufacture Manufacturing day Year of manufacture

21 Characters :

3675007 XX 07 070 0000315
 Product reference Sequential number
 Year of manufacture Manufacturing day

The indications mentioned on the prices, commercial or technical literature and the scheme are written for your guidance and are available at a given time. The CONSTRUCTOR retains the power to modify the presentation, the form, the size, the conception or the material of the products.