

# SPARE PARTS EXPLODED VIEW GAS WALL BOILERS

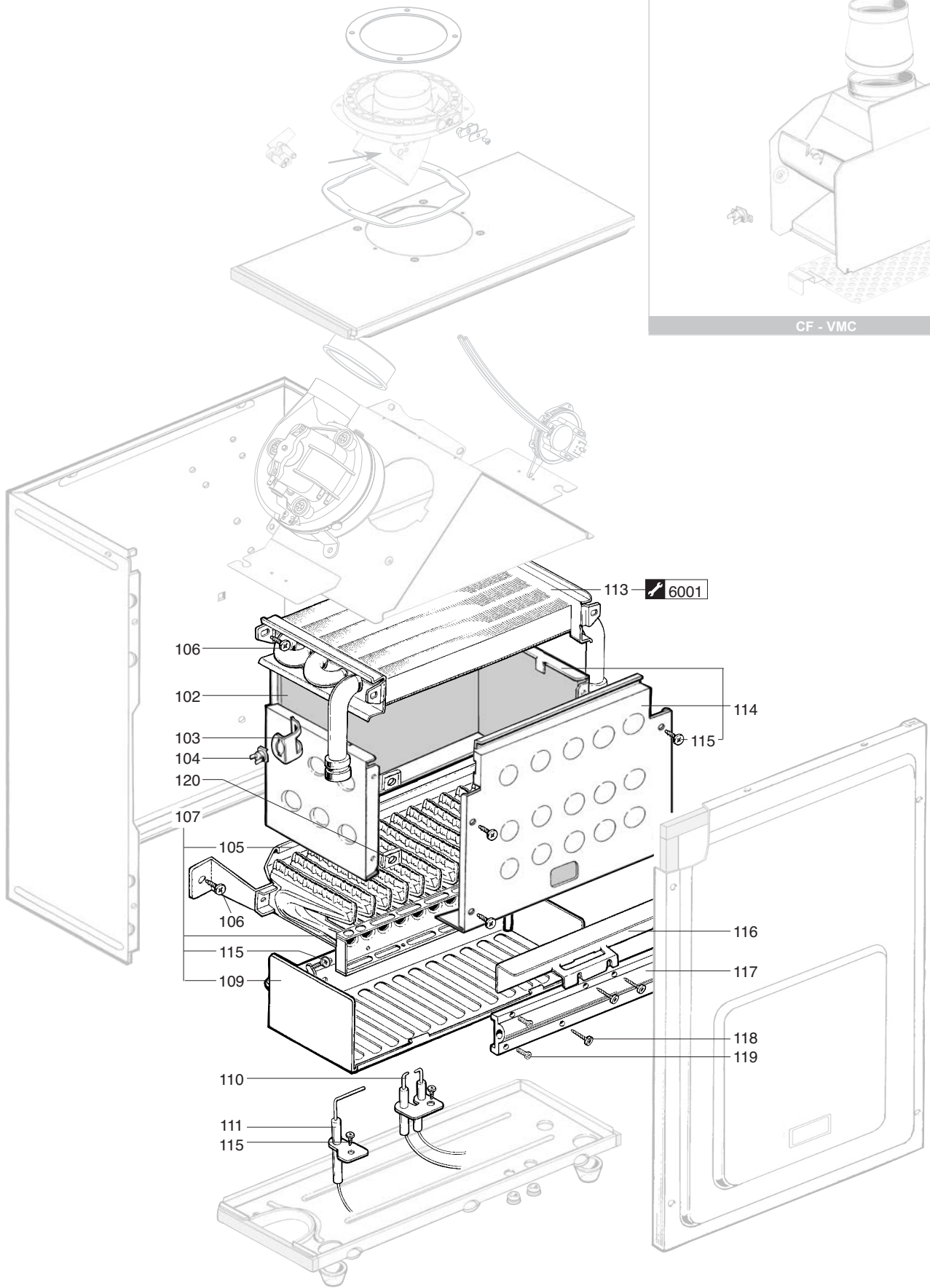
Model

## **CENTORA**

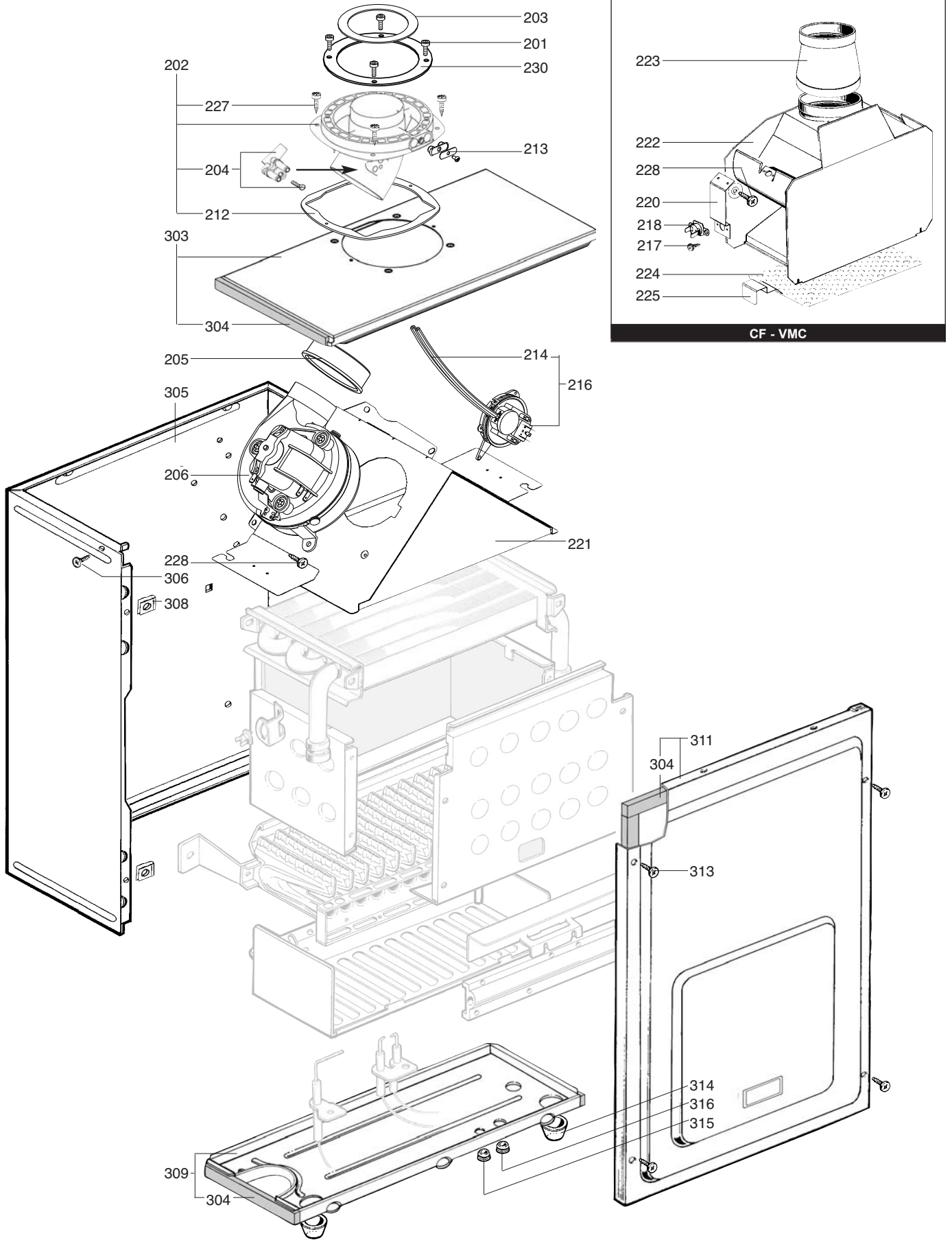
R8202565-11 - 23/03/2012

|    |              |                      |       |       |
|----|--------------|----------------------|-------|-------|
| 1  | 200005779031 | CENTORA 1.14 CF NAT  | 07/01 | 11/07 |
| 2  | 200007779031 | CENTORA 3.14 CF NAT  | 07/01 | 11/07 |
| 2  | 3650045      | CENTORA 3.14 CF NAT  | 02/05 | 11/07 |
| 3  | 200007779036 | CENTORA 3.14 VMC NAT | 07/01 | 11/07 |
| 4  | 200005781031 | CENTORA 1.24 CF NAT  | 01/02 | 11/07 |
| 5  | 200005781037 | CENTORA 1.24 FF NAT  | 01/02 | 11/07 |
| 6  | 200006781031 | CENTORA 2.24 CF NAT  | 11/01 | 11/07 |
| 6  | 200006781021 | CENTORA 2.24 CF B/P  | 11/01 | 11/07 |
| 6  | 200006781041 | CENTORA 2.24 CF GPO  | 07/02 | 11/07 |
| 7  | 200006781036 | CENTORA 2.24 VMC NAT | 06/01 | 11/07 |
| 7  | 200006781046 | CENTORA 2.24 VMC GPO | 04/02 | 11/07 |
| 8  | 200006781037 | CENTORA 2.24 FF NAT  | 11/01 | 11/07 |
| 8  | 200006781027 | CENTORA 2.24 FF B/P  | 11/01 | 11/07 |
| 8  | 200006781047 | CENTORA 2.24 FF GPO  | 08/02 | 11/07 |
| 9  | 200007781031 | CENTORA 3.24 CF NAT  | 04/02 | 11/07 |
| 9  | 3650046      | CENTORA 3.24 CF NAT  | 02/05 | 01/08 |
| 10 | 200007781036 | CENTORA 3.24 VMC NAT | 04/02 | 11/07 |
| 11 | 200007781037 | CENTORA 3.24 FF NAT  | 04/02 | 11/07 |
| 11 | 3650047      | CENTORA 3.24 FF NAT  | 02/05 | 11/07 |
| 12 | 200006783031 | CENTORA 2.28 CF NAT  | 11/01 | 11/07 |
| 13 | 200006783021 | CENTORA 2.28 FF B/P  | 07/01 | 11/07 |

| Col | Reference | Model type | Begin | End |
|-----|-----------|------------|-------|-----|
|-----|-----------|------------|-------|-----|



| ☰    | Description                   | Manf. Pt. N | Type    | <div style="display: flex; justify-content: space-between; font-size: small;"> <span>CENTORA 1-14 CF</span> <span>CENTORA 3-14 CF</span> <span>CENTORA 3-14 VMC</span> <span>CENTORA 1-14 CF</span> <span>CENTORA 1-14 FF</span> <span>CENTORA 2-24 CF</span> <span>CENTORA 2-24 VMC</span> <span>CENTORA 3-24 FF</span> <span>CENTORA 3-24 CF</span> <span>CENTORA 3-24 VMC</span> <span>CENTORA 2-28 CF</span> <span>CENTORA 2-28 FF</span> </div> |   |   |   |   |   |   |   |   |    |    |    |    |    |    |       |    |    | 31 |
|------|-------------------------------|-------------|---------|--|---|---|---|---|---|---|---|---|----|----|----|----|----|----|-------|----|----|----|
|      |                               |             |         | 1  | 2 | 3 | 4 | 5 | 6 | 7 | 8 | 9 | 10 | 11 | 12 | 13 | 14 | 15 | 16    | 17 | 18 |    |
| 0100 | <b>BURNER ASSEMBLY</b>        |             |         |  |   |   |   |   |   |   |   |   |    |    |    |    |    |    |       |    |    |    |
| 0102 | COMBUSTION CHAMBER LINING KIT | 60081722    |         | •  | • | • | • | • | • | • | • | • | •  | •  |    |    |    |    |       |    |    |    |
| 0103 | CLIP                          | 61010050    |         | •  | • | • | • | • | • | • | • | • | •  | •  |    |    |    |    |       |    |    |    |
| 0104 | OVERHEAT THERMOSTAT 105C      | 61010191    |         | •  | • | • | • | • | • | • | • | • | •  | •  |    |    |    |    |       |    |    |    |
|      | OVERHEAT THERMOSTAT 100C      | 61010572    |         |  |   |   |   | • |   | • |   |   | •  |    |    |    |    |    |       |    |    |    |
| 0105 | CROSS LIGHTING STRIP          | 61002811    |         |  |   |   |   | • |   | • |   |   | •  |    |    |    |    |    |       |    |    |    |
|      | CROSS LIGHTING STRIP          | 61010038    |         | •  | • | • | • | • | • | • | • | • | •  | •  |    |    |    |    |       |    |    |    |
| 0106 | TAPPING SCREW CBLX D: 6.3-13  | 61010648    |         | •  | • | • | • | • | • | • | • | • | •  | •  |    |    |    |    |       |    |    |    |
| 0107 | BURNER HEAD                   | 61010415    |         | •  | • | • | • | • | • | • | • | • | •  | •  |    |    |    |    |       |    |    |    |
|      | BURNER HEAD                   | 61010753    |         |  |   |   |   | • |   | • |   |   | •  |    |    |    |    |    |       |    |    |    |
| 0109 | GRILLE                        | 61010223    |         |  |   |   |   | • |   | • |   |   | •  |    |    |    |    |    |       |    |    |    |
| 0110 | IGNITION ELECTRODE            | 61015740    | AP      |  |   |   |   | • | • | • |   |   |    |    |    |    |    |    |       |    |    |    |
|      | IGNITION ELECTRODE            | 61002801    | B/P-NAT | •  | • | • | • | • | • | • | • | • | •  | •  |    |    |    |    | 12/06 |    |    |    |
|      | IGNITION ELECTRODE            | 61015740    | B/P-NAT | •  | • | • | • | • | • | • | • | • | •  | •  |    |    |    |    | 11/06 |    |    |    |
| 0111 | IONIZATION ELECTRODE          | 61002802    |         | •  | • | • | • | • | • | • | • | • | •  | •  |    |    |    |    |       |    |    |    |
| 0113 | HEAT EXCHANGER                | 61010017    |         | •  | • | • | • | • | • | • | • | • | •  | •  |    |    |    |    |       |    |    |    |
|      | HEAT EXCHANGER                | 61010754    |         |  |   |   |   |   |   |   |   |   |    | •  |    |    |    |    |       |    |    |    |
|      | HEAT EXCHANGER                | 61011136    |         |  |   |   |   |   |   |   |   |   |    |    |    |    |    |    | •     |    |    |    |
| 0114 | COMBUSTION CHAMBER ASSY       | 60081721    |         | •  | • | • | • | • | • | • | • | • | •  | •  |    |    |    |    |       |    |    |    |
| 0115 | TAPPING SCREW CBLX D: 4.2-9.5 | 61010125    |         | •  | • | • | • | • | • | • | • | • | •  | •  |    |    |    |    |       |    |    |    |
| 0116 | DEFLECTOR                     | 61010392    |         |  |   |   |   | • |   | • |   |   | •  |    |    |    |    |    |       |    |    |    |
|      | DEFLECTOR                     | 61011642    |         |  |   |   |   |   |   |   |   |   |    |    |    |    |    |    | •     |    |    |    |
| 0117 | MANIFOLD 16 INJ.              | 61010175    | B/P     |  |   |   |   | • |   | • |   |   |    |    |    |    |    |    |       |    |    |    |
|      | MANIFOLD 16 INJ.              | 61010030    | NAT     | •  | • | • | • | • | • | • | • | • | •  | •  |    |    |    |    |       |    |    |    |
|      | MANIFOLD 16 INJ.              | 61010341    | NAT     |  |   |   |   | • |   | • |   |   | •  |    |    |    |    |    |       |    |    |    |
|      | MANIFOLD 16 INJ.              | 61011305    | NAT     |  |   |   |   |   |   |   |   |   |    |    |    |    |    |    | •     |    |    |    |
| 0118 | TAPPING SCREW CBLX D: 4.2-25  | 61010128    |         | •  | • | • | • | • | • | • | • | • | •  | •  |    |    |    |    |       |    |    |    |
| 0119 | SCREW HX M 5-12               | 61010131    |         | •  | • | • | • | • | • | • | • | • | •  | •  |    |    |    |    |       |    |    |    |
| 0120 | SPIRE CLIP                    | 60057488    |         | •  | • | • | • | • | • | • | • | • | •  | •  |    |    |    |    |       |    |    |    |



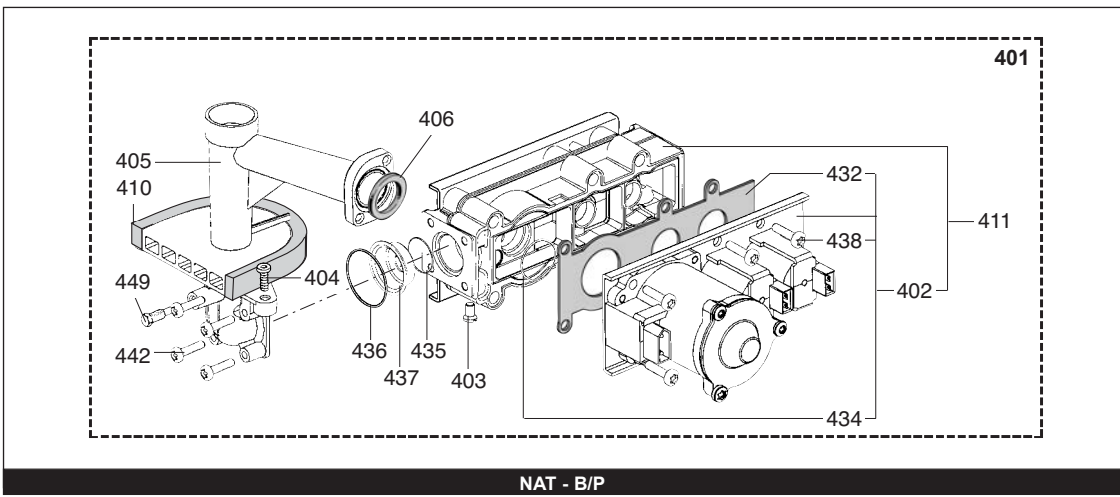
CENTORA 1-14 CF  
 CENTORA 3-14 CF  
 CENTORA 3-14 VMC  
 CENTORA 1-14 CF  
 CENTORA 1-14 FF  
 CENTORA 2-24 CF  
 CENTORA 2-24 VMC  
 CENTORA 2-24 FF  
 CENTORA 3-24 CF  
 CENTORA 3-24 VMC  
 CENTORA 2-28 CF  
 CENTORA 2-28 FF



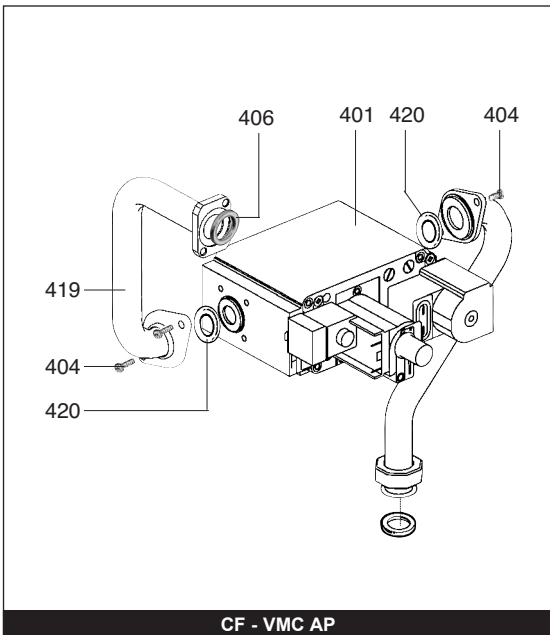
|             |                               | <div style="display: flex; justify-content: space-between;"> <span>CENTORA 1-14 CF</span> <span>CENTORA 3-14 CF</span> <span>CENTORA 3-14 VMC</span> <span>CENTORA 1-14 CF</span> <span>CENTORA 1-14 FF</span> <span>CENTORA 2-24 CF</span> <span>CENTORA 2-24 VMC</span> <span>CENTORA 2-24 FF</span> <span>CENTORA 3-24 CF</span> <span>CENTORA 3-24 VMC</span> <span>CENTORA 2-28 CF</span> <span>CENTORA 2-28 FF</span> </div> |      |   |   |   |   |   |   |   |   |   |    |    |    |    |    |    |    |    |    |   |   |   |   |   |   |
|-------------|-------------------------------|--|------|---|---|---|---|---|---|---|---|---|----|----|----|----|----|----|----|----|----|---|---|---|---|---|---|
|             | Description                   | Manf. Pt. N  | Type | 1 | 2 | 3 | 4 | 5 | 6 | 7 | 8 | 9 | 10 | 11 | 12 | 13 | 14 | 15 | 16 | 17 | 18 |   |   |   |   |   |   |
| <b>0200</b> | <b>FAN ASSEMBLY</b>           |  |      |   |   |   |   |   |   |   |   |   |    |    |    |    |    |    |    |    |    |   |   |   |   |   |   |
| 0201        | SCREW CLX M 5-20              | 61017600   |      |   |   |   |   | ● |   |   | ● |   |    | ●  |    | ●  |    |    |    |    |    |   |   |   |   |   |   |
| 0202        | FLUE CONNECTION               | 60000735   |      |   |   |   |   | ● |   |   | ● |   |    | ●  |    | ●  |    |    |    |    |    |   |   |   |   |   |   |
|             | FLUE CONNECTION               | 61306695   |      |   |   |   |   | ● |   |   | ● |   |    | ●  |    | ●  |    |    |    |    |    |   |   |   |   |   |   |
| 0203        | RESTRICTOR D:61 KIT           | 60000736   |      |   |   |   |   | ● |   |   | ● |   |    | ●  |    | ●  |    |    |    |    |    |   |   |   |   |   |   |
|             | RESTRICTOR D:65 KIT           | 60000737   |      |   |   |   |   | ● |   |   | ● |   |    | ●  |    | ●  |    |    |    |    |    |   |   |   |   |   |   |
| 0204        | VENTURI                       | 61310050   |      |   |   |   |   | ● |   |   | ● |   |    | ●  |    | ●  |    |    |    |    |    |   |   |   |   |   |   |
| 0205        | GASKET                        | 61303825   |      |   |   |   |   | ● |   |   | ● |   |    | ●  |    | ●  |    |    |    |    |    |   |   |   |   |   |   |
| 0206        | FAN ASSY                      | 61304720   |      |   |   |   |   | ● |   |   | ● |   |    | ●  |    | ●  |    |    |    |    |    |   |   |   |   |   |   |
|             | FAN ASSY 1V 30FF              | 61304721   |      |   |   |   |   | ● |   |   | ● |   |    | ●  |    | ●  |    |    |    |    |    |   |   |   |   |   |   |
| 0212        | GASKET                        | 61300262   |      |   |   |   |   | ● |   |   | ● |   |    | ●  |    | ●  |    |    |    |    |    |   |   |   |   |   |   |
| 0213        | PLUG KIT                      | 61306698   |      |   |   |   |   | ● |   |   | ● |   |    | ●  |    | ●  |    |    |    |    |    |   |   |   |   |   |   |
| 0214        | SILICONE TUBE D: 9x3 L: 1.30M | 60081265   |      |   |   |   |   | ● |   |   | ● |   |    | ●  |    | ●  |    |    |    |    |    |   |   |   |   |   |   |
| 0216        | AIR PRESSURE SWITCH 24KW      | 61306697   |      |   |   |   |   | ● |   |   | ● |   |    | ●  |    | ●  |    |    |    |    |    |   |   |   |   |   |   |
|             | AIR PRESSURE SWITCH 28KW      | 61307335   |      |   |   |   |   | ● |   |   | ● |   |    | ●  |    | ●  |    |    |    |    |    |   |   |   |   |   |   |
| 0217        | SHEET SCREW CBLX D: 3.5-6.5   | 61010126   |      | ● | ● | ● | ● |   | ● | ● |   | ● | ●  |    | ●  |    |    | ●  |    |    |    |   |   |   |   |   |   |
| 0218        | OVERHEAT THERMOSTAT 72C       | 61010074   |      |   |   |   |   |   |   |   |   |   |    |    |    | ●  |    |    |    |    |    |   |   |   |   |   |   |
|             | OVERHEAT THERMOSTAT 52C       | 61310142   |      | ● | ● |   |   |   |   |   |   |   |    |    |    |    |    |    |    |    |    |   |   |   |   |   |   |
|             | OVERHEAT THERMOSTAT 72C       | 61010074   | AP   |   |   |   |   |   | ● |   |   |   |    |    |    |    |    |    |    |    |    |   |   |   |   |   |   |
|             | OVERHEAT THERMOSTAT 54C       | 61010358   | AP   |   |   |   |   |   |   | ● |   |   |    |    |    |    |    |    |    |    |    |   |   |   |   |   |   |
|             | THERMOSTAT (SAFETY - 70C)     | 61012479   | B/P  |   |   |   |   |   | ● |   |   |   |    |    |    |    |    |    |    |    |    |   |   |   |   |   |   |
|             | THERMOSTAT (SAFETY - 70C)     | 61012479   | NAT  |   |   |   | ● |   | ● |   |   |   | ●  |    |    |    |    |    |    |    |    |   |   |   |   |   |   |
|             | OVERHEAT THERMOSTAT 49C       | 61310767   | NAT  |   |   | ● |   |   |   | ● |   |   |    | ●  |    |    |    |    |    |    |    |   |   |   |   |   |   |
| 0220        | SUPPORT BRACKET               | 61012482   |      |   |   | ● |   |   |   |   |   |   |    |    |    |    |    |    |    |    |    |   |   |   |   |   |   |
| 0221        | HOOD                          | 61304712   |      |   |   |   |   | ● |   |   | ● |   |    | ●  |    | ●  |    |    |    |    |    |   |   |   |   |   |   |
|             | HOOD                          | 61304713   |      |   |   |   |   | ● |   |   | ● |   |    | ●  |    | ●  |    |    |    |    |    |   |   |   |   |   |   |
| 0222        | DRAUGHT DIVERTER              | 61010117   |      |   |   |   | ● |   | ● |   |   |   | ●  |    |    | ●  |    |    |    |    |    |   |   |   |   |   |   |
|             | DRAUGHT DIVERTER              | 61011170   |      |   |   |   |   |   |   |   |   |   |    |    |    | ●  |    |    |    |    |    |   |   |   |   |   |   |
|             | DRAUGHT DIVERTER              | 61308490   |      |   |   |   |   |   |   |   |   |   |    |    |    | ●  |    |    |    |    |    |   |   |   |   |   |   |
|             | DRAUGHT DIVERTER              | 61010354   | AP   |   |   |   |   |   |   |   | ● |   |    |    |    |    |    |    |    |    |    |   |   |   |   |   |   |
|             | DRAUGHT DIVERTER              | 61308490   | NAT  |   |   |   |   |   |   |   | ● |   |    |    |    |    |    |    |    |    |    |   |   |   |   |   |   |
| 0223        | FLUE SPIGOT D: 112            | 61009894   |      | ● | ● |   |   |   |   |   |   |   |    |    |    |    |    |    |    |    |    |   |   |   |   |   |   |
| 0224        | GRILLE                        | 61011760   |      | ● | ● | ● |   |   |   |   |   |   |    |    |    |    |    |    |    |    |    |   |   |   |   |   |   |
| 0225        | CLIP                          | 61011761   |      | ● | ● | ● |   |   |   |   |   |   |    |    |    |    |    |    |    |    |    |   |   |   |   |   |   |
| 0227        | TAPPING SCREW CBLX D:4.2-12.5 | 61010847   |      |   |   |   |   | ● |   |   | ● |   |    | ●  |    | ●  |    |    |    |    |    |   |   |   |   |   |   |
| 0228        | TAPPING SCREW CBLX D: 6.3-13  | 61010648   |      | ● | ● | ● | ● | ● | ● | ● | ● | ● | ●  | ●  | ●  | ●  | ●  | ●  | ●  | ●  | ●  | ● | ● | ● | ● | ● | ● |
| 0230        | GASKET (/ Flue bend turret)   | 61300258   |      |   |   |   |   | ● |   |   | ● |   |    | ●  |    | ●  |    |    |    |    |    |   |   |   |   |   |   |
| <b>0300</b> | <b>SEALED CASE</b>            |  |      |   |   |   |   |   |   |   |   |   |    |    |    |    |    |    |    |    |    |   |   |   |   |   |   |
| 0303        | TOP PANEL BOX                 | 61305438   |      |   |   |   |   | ● |   |   | ● |   |    | ●  |    | ●  |    |    |    |    |    |   |   |   |   |   |   |
| 0304        | FOAM SEAL 12.5x5 L: 2.5M      | 60081273   |      |   |   |   |   | ● |   |   | ● |   |    | ●  |    | ●  |    |    |    |    |    |   |   |   |   |   |   |
| 0305        | CASE                          | 61010106   |      |   |   |   |   | ● |   |   | ● |   |    | ●  |    | ●  |    |    |    |    |    |   |   |   |   |   |   |
| 0306        | TAPPING SCREW CBLZ D: 4.2-13  | 60079486   |      |   |   |   |   | ● |   |   | ● |   |    | ●  |    | ●  |    |    |    |    |    |   |   |   |   |   |   |
| 0308        | SPIRE CLIP                    | 60057488   |      |   |   |   |   | ● |   |   | ● |   |    | ●  |    | ●  |    |    |    |    |    |   |   |   |   |   |   |
| 0309        | BASE - BOX                    | 61010588   |      |   |   |   |   | ● |   |   | ● |   |    | ●  |    | ●  |    |    |    |    |    |   |   |   |   |   |   |
| 0311        | CASE COVER                    | 60081851   |      |   |   |   |   | ● |   |   | ● |   |    | ●  |    | ●  |    |    |    |    |    |   |   |   |   |   |   |
| 0313        | TAPPING SCREW CBLZ D: 4.2-19  | 61003114   |      |   |   |   |   | ● |   |   | ● |   |    | ●  |    | ●  |    |    |    |    |    |   |   |   |   |   |   |
| 0314        | GROMMET                       | 61010109   |      |   |   |   |   | ● |   |   | ● |   |    | ●  |    | ●  |    |    |    |    |    |   |   |   |   |   |   |
| 0315        | GROMMET                       | 60039017   |      |   |   |   |   | ● |   |   | ● |   |    | ●  |    | ●  |    |    |    |    |    |   |   |   |   |   |   |
| 0316        | GROMMET - DOUBLE              | 60042707   |      |   |   |   |   | ● |   |   | ● |   |    | ●  |    | ●  |    |    |    |    |    |   |   |   |   |   |   |

CENTORA

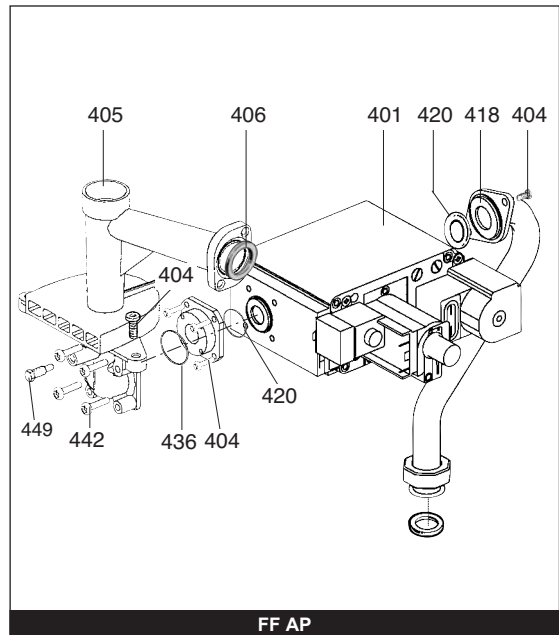
Domestic Gas Boilers



NAT - B/P

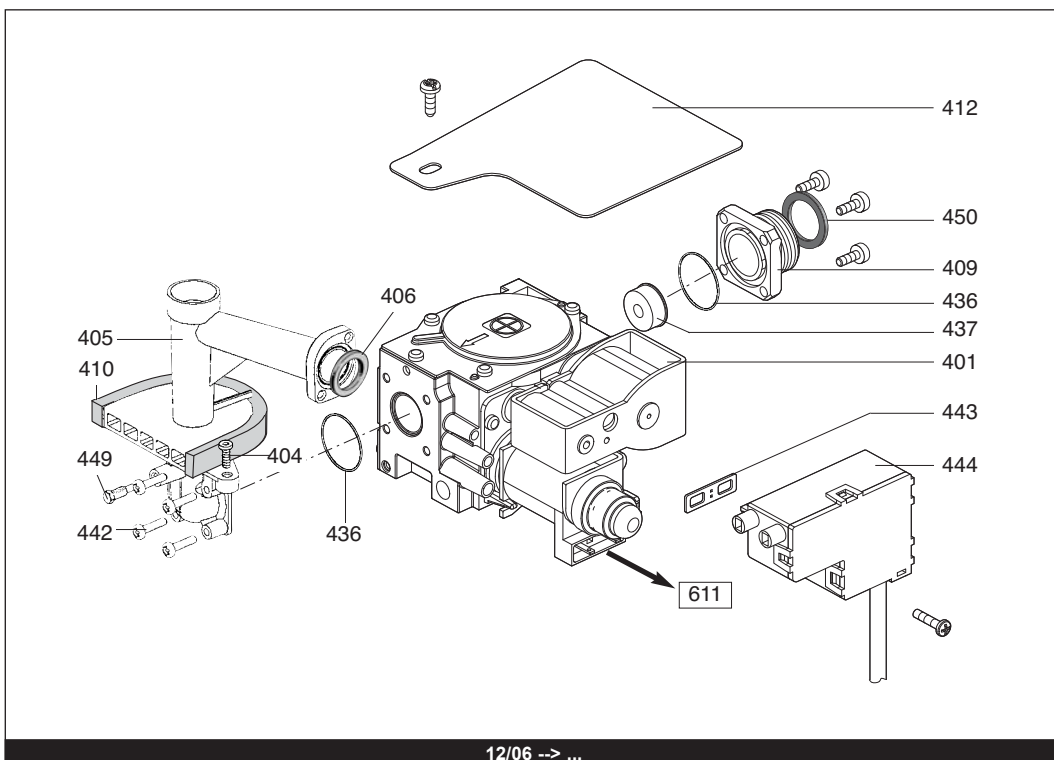


CF - VMC AP



FF AP

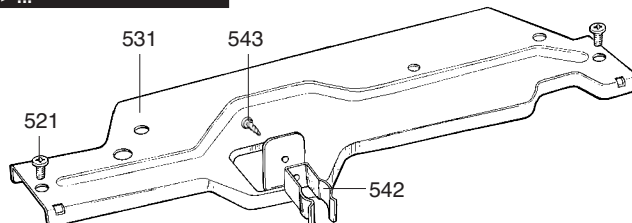
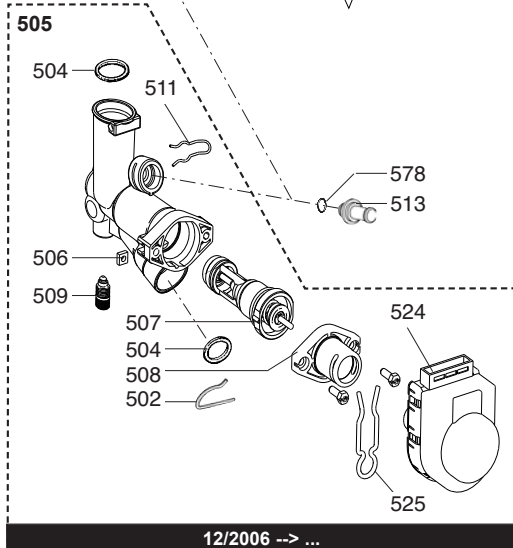
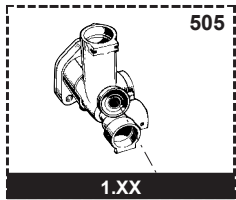
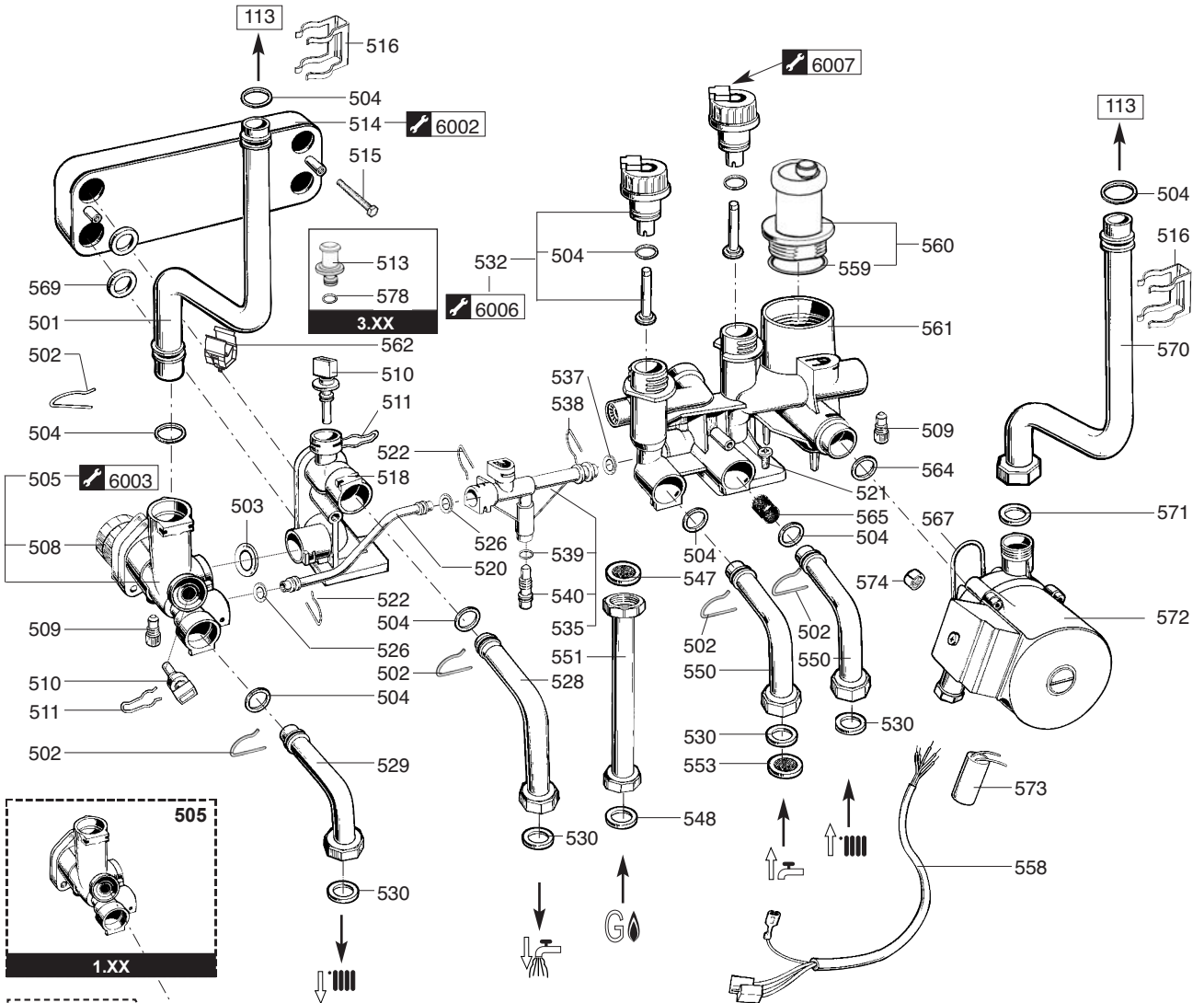
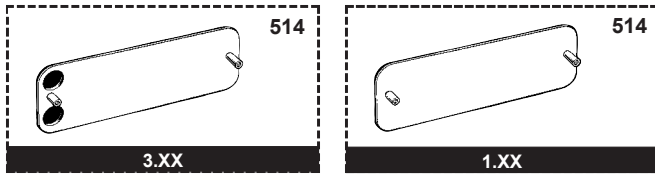
... --> 11/06



12/06 --> ...

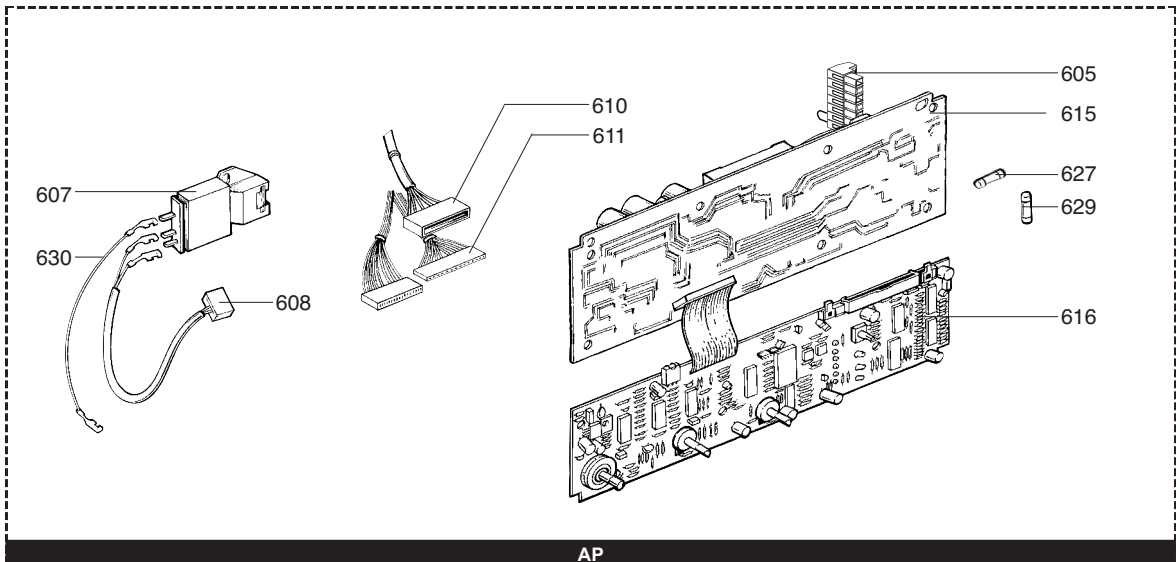
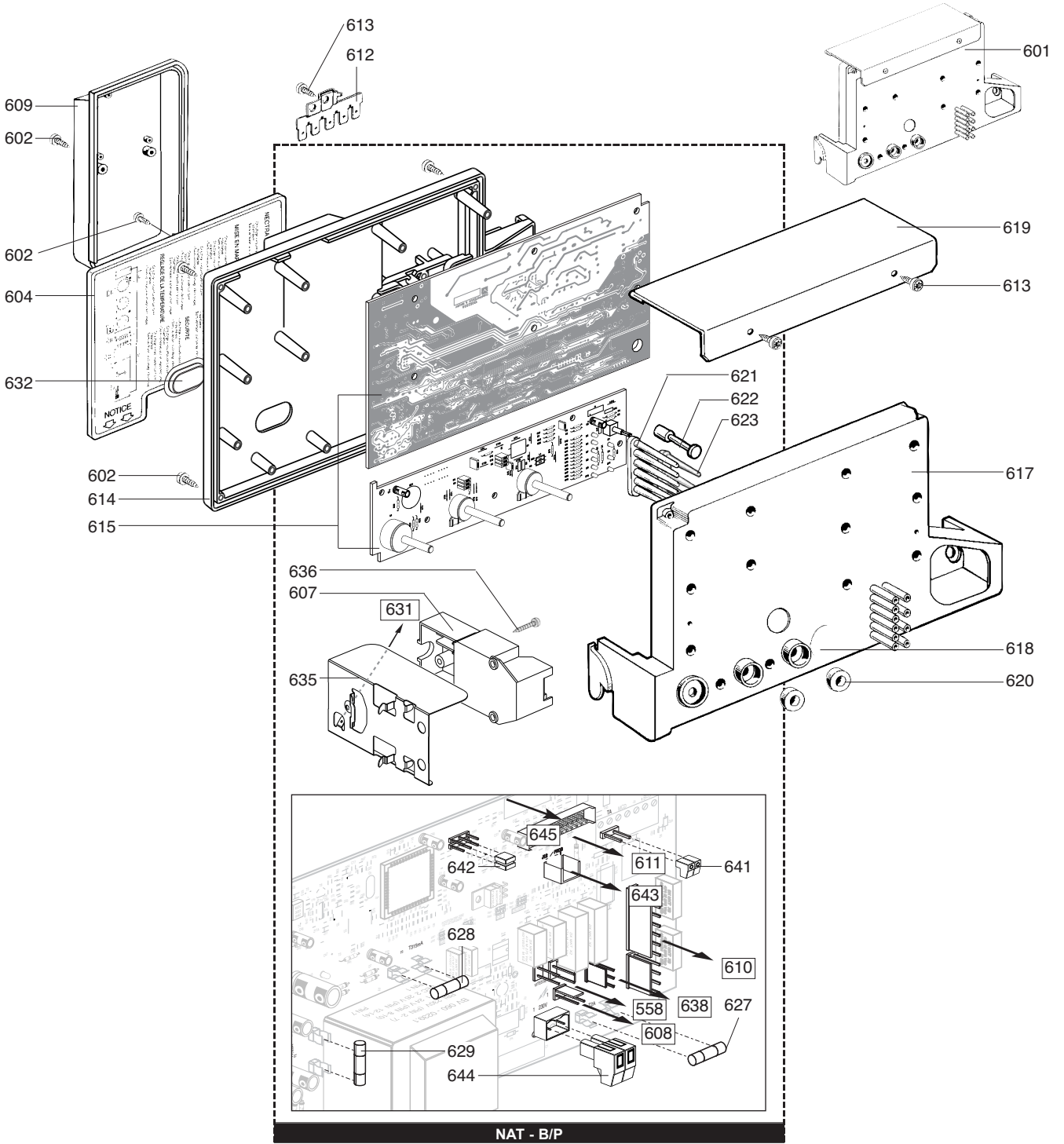
| ☉⇒   | Description                 | Manf. Pt. N | Type    | CENTORA |   |   |   |   |   |   |   |   |    |    |    |    |    |    |    |    |    | 31 |
|------|-----------------------------|-------------|---------|---------|---|---|---|---|---|---|---|---|----|----|----|----|----|----|----|----|----|----|
|      |                             |             |         | 1       | 2 | 3 | 4 | 5 | 6 | 7 | 8 | 9 | 10 | 11 | 12 | 13 | 14 | 15 | 16 | 17 | 18 |    |
| 0400 | <b>GAS SECTION</b>          |             |         |         |   |   |   |   |   |   |   |   |    |    |    |    |    |    |    |    |    |    |
| 0401 | GAS VALVE GPO               | 61010794    | AP      |         |   |   |   |   |   | ● | ● | ● |    |    |    |    |    |    |    |    |    |    |
|      | GAS VALVE LPG               | 61014775    | B/P     |         |   |   |   |   |   |   | ● |   |    |    |    |    |    |    |    |    |    |    |
|      | GAS VALVE LPG               | 61304996    | B/P     |         |   |   |   |   |   | ● |   |   |    |    |    |    |    |    |    |    |    |    |
|      | GAS VALVE                   | 60000586    | B/P-NAT | ●       | ● | ● | ● | ● | ● | ● | ● | ● | ●  | ●  | ●  | ●  | ●  | ●  |    |    |    |    |
|      | GAS VALVE NAT               | 61013015    | NAT     |         |   |   |   | ● |   | ● |   |   | ●  |    |    |    |    |    |    |    |    |    |
|      | GAS VALVE NAT               | 61015664    | NAT     |         |   |   |   |   |   |   |   |   |    |    |    |    | ●  | ●  |    |    |    |    |
|      | GAS VALVE                   | 61020775    | NAT     | ●       | ● | ● |   |   |   |   |   |   |    |    |    |    |    |    |    |    |    |    |
|      | GAS VALVE NAT               | 61304994    | NAT     |         |   |   | ● |   | ● | ● |   | ● | ●  |    |    |    |    |    |    |    |    |    |
| 0402 | SOLENOID VALVES KIT LPG     | 60081860    | B/P     |         |   |   |   |   | ● |   | ● |   |    |    |    |    |    |    |    |    |    |    |
|      | SOLENOID VALVES KIT NAT     | 60081859    | NAT     | ●       | ● | ● | ● | ● | ● | ● | ● | ● | ●  | ●  | ●  | ●  | ●  | ●  |    |    |    |    |
| 0403 | PRESSURE TEST POINT SCREW   | 60019445    |         | ●       | ● | ● | ● | ● | ● | ● | ● | ● | ●  | ●  | ●  | ●  | ●  | ●  |    |    |    |    |
| 0404 | SCREW HX M 5-12             | 61010131    |         | ●       | ● | ● | ● | ● | ● | ● | ● | ● | ●  | ●  | ●  | ●  | ●  | ●  |    |    |    |    |
| 0405 | BURNER BASE KIT             | 60081835    |         | ●       | ● | ● | ● | ● | ● | ● | ● | ● | ●  | ●  | ●  | ●  | ●  | ●  |    |    |    |    |
| 0406 | GASKET (/Manifold)          | 61010071    |         | ●       | ● | ● | ● | ● | ● | ● | ● | ● | ●  | ●  | ●  | ●  | ●  | ●  |    |    |    |    |
| 0409 | CLAMP                       | 60000578    |         | ●       | ● | ● | ● | ● | ● | ● | ● | ● | ●  | ●  | ●  | ●  | ●  | ●  |    |    |    |    |
| 0410 | FOAM SEAL 12x7 L: 5M        | 60081273-04 |         |         |   |   |   | ● |   |   | ● |   |    | ●  |    | ●  |    |    |    |    |    |    |
| 0411 | GAS SECTION LPG             | 61017399    | B/P     |         |   |   |   |   | ● |   | ● |   |    |    |    |    |    |    |    |    |    |    |
|      | GAS SECTION NAT             | 61017398    | NAT     | ●       | ● | ● | ● | ● | ● | ● | ● | ● | ●  | ●  | ●  | ●  | ●  | ●  |    |    |    |    |
| 0412 | PANEL                       | 60000579    |         | ●       | ● | ● | ● |   | ● | ● |   | ● | ●  |    | ●  |    |    |    |    |    |    |    |
| 0418 | UPPER GAS TUBE              | 61016313    | AP      |         |   |   |   |   |   |   | ● |   |    |    |    |    |    |    |    |    |    |    |
| 0419 | DOWN GAS TUBE               | 61010858    | AP      |         |   |   |   |   | ● | ● |   |   |    |    |    |    |    |    |    |    |    |    |
| 0420 | O-RING D: 28.24-2.62        | 60022113-13 | AP      |         |   |   |   |   | ● | ● |   |   |    |    |    |    |    |    |    |    |    |    |
| 0432 | GASKET (/Solenoid valve)    | 61013018    |         | ●       | ● | ● | ● | ● | ● | ● | ● | ● | ●  | ●  | ●  | ●  | ●  | ●  |    |    |    |    |
| 0434 | O-RING D: 14.1-1.6          | 60021061-41 |         | ●       | ● | ● | ● | ● | ● | ● | ● | ● | ●  | ●  | ●  | ●  | ●  | ●  |    |    |    |    |
| 0435 | O-RING D: 17.1-1.6          | 60021061-42 |         | ●       | ● | ● | ● | ● | ● | ● | ● | ● | ●  | ●  | ●  | ●  | ●  | ●  |    |    |    |    |
| 0436 | O-RING D: 22-2.6            | 60021061-40 |         | ●       | ● | ● | ● | ● | ● | ● | ● | ● | ●  | ●  | ●  | ●  | ●  | ●  |    |    |    |    |
| 0437 | RESTRICTOR D: 5.75          | 60000648    |         |         |   |   | ● |   | ● | ● |   | ● | ●  |    |    |    |    |    |    |    |    |    |
|      | RESTRICTOR D: 4.9           | 60000649    |         |         |   |   |   | ● |   |   | ● |   | ●  |    |    |    |    |    |    |    |    |    |
|      | RESTRICTOR D: 6.7           | 61013016-01 |         |         |   |   |   | ● |   | ● |   |   | ●  |    |    |    |    |    |    |    |    |    |
|      | RESTRICTOR D: 8.0           | 61013016-08 |         |         |   |   | ● |   | ● | ● |   | ● | ●  |    |    |    |    |    |    |    |    |    |
|      | RESTRICTOR D: 3.8           | 61013016-11 |         | ●       | ● | ● |   |   |   |   |   |   |    |    |    |    |    |    |    |    |    |    |
|      | RESTRICTOR D: 7             | 60000650    | NAT     |         |   |   |   |   |   |   |   |   |    |    |    | ●  |    |    |    |    |    |    |
|      | RESTRICTOR D: 6.7           | 60000651    | NAT     |         |   |   |   |   |   |   |   |   |    |    |    |    | ●  |    |    |    |    |    |
|      | RESTRICTOR D: 3.45          | 60000913    | NAT     |         | ● | ● |   |   |   |   |   |   |    |    |    |    |    |    |    |    |    |    |
| 0438 | SCREW CLXS M 5-45           | 61014414    |         | ●       | ● | ● | ● | ● | ● | ● | ● | ● | ●  | ●  | ●  | ●  | ●  | ●  |    |    |    |    |
| 0442 | SCREW CBLXS M 4-20          | 61014415    |         | ●       | ● | ● | ● | ● | ● | ● | ● | ● | ●  | ●  | ●  | ●  | ●  | ●  |    |    |    |    |
| 0443 | GASKET (SPARK GENERATOR)    | 574279      |         | ●       | ● | ● | ● | ● | ● | ● | ● | ● | ●  | ●  | ●  | ●  | ●  | ●  |    |    |    |    |
| 0444 | IGNITER                     | 61311269    |         | ●       | ● | ● | ● | ● | ● | ● | ● | ● | ●  | ●  | ●  | ●  | ●  | ●  |    |    |    |    |
| 0449 | PRESSURE TEST POINT SCREW   | 61016378    |         | ●       | ● | ● | ● | ● | ● | ● | ● | ● | ●  | ●  | ●  | ●  | ●  | ●  |    |    |    |    |
| 0450 | SHEET GASKET D: 24-18.2-1.5 | 60022835-01 |         | ●       | ● | ● | ● | ● | ● | ● | ● | ● | ●  | ●  | ●  | ●  | ●  | ●  |    |    |    |    |



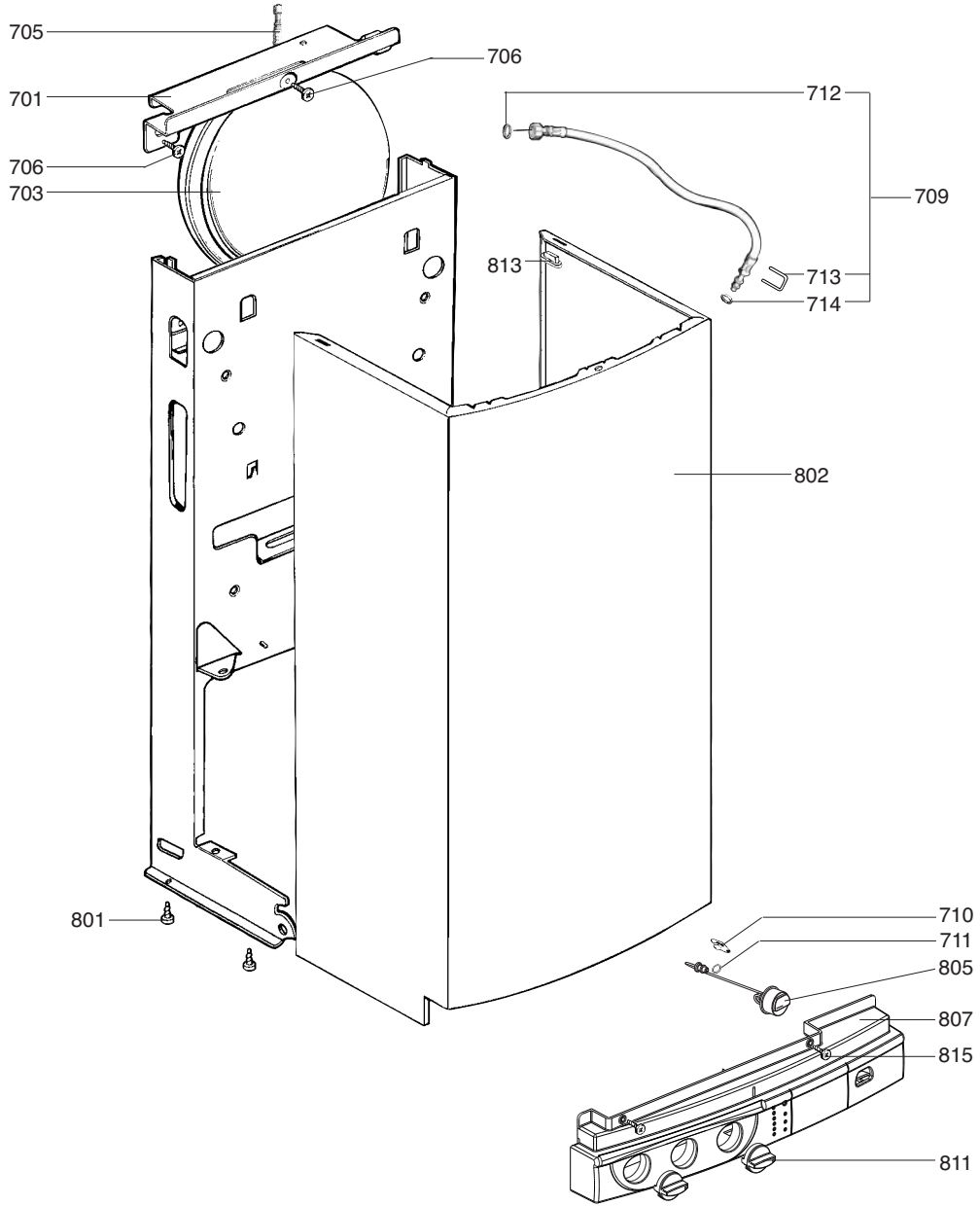




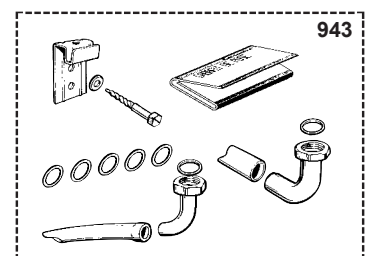
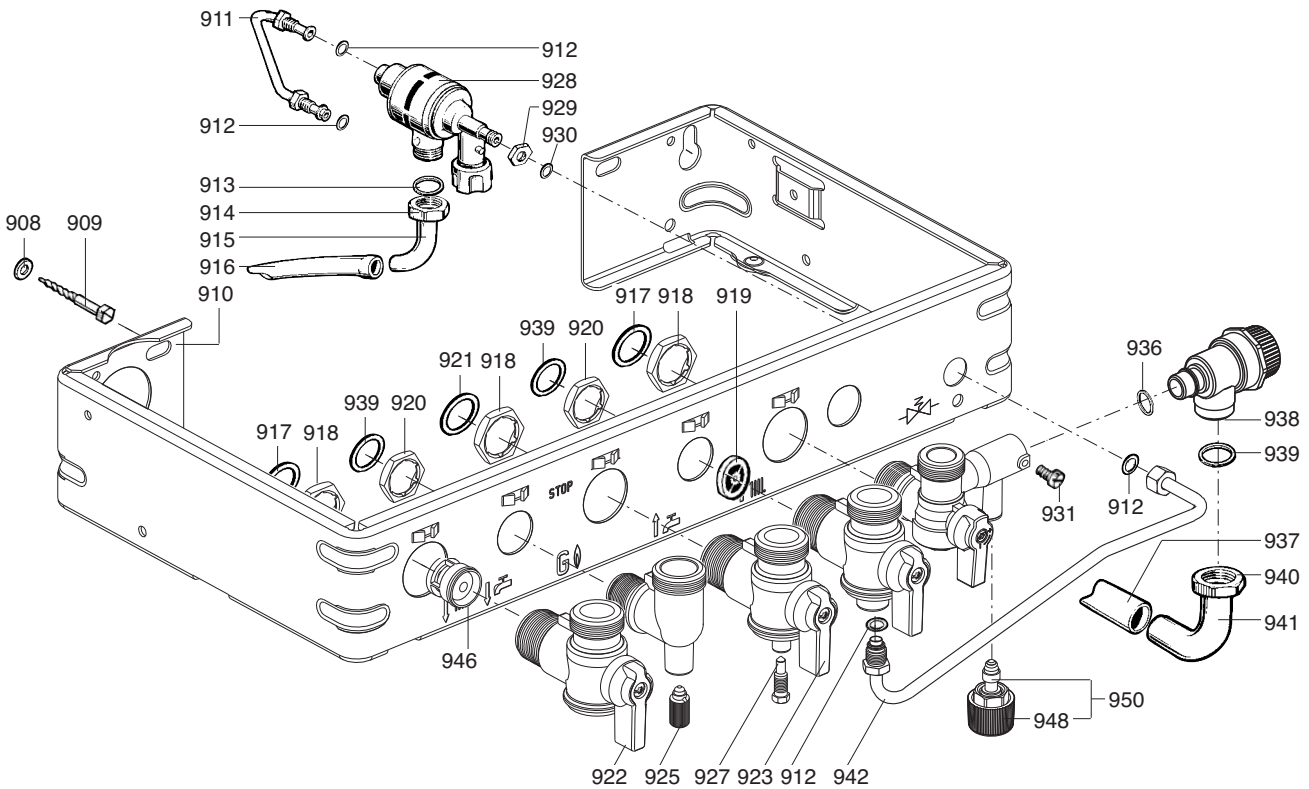
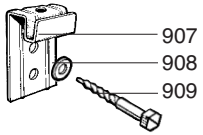
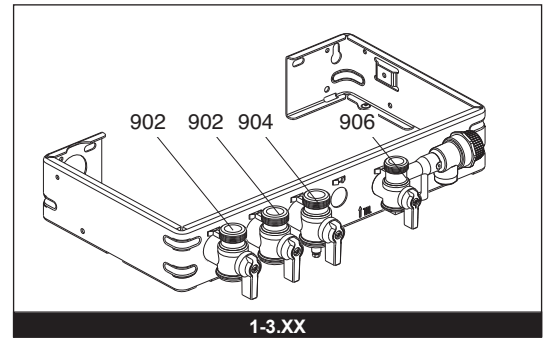
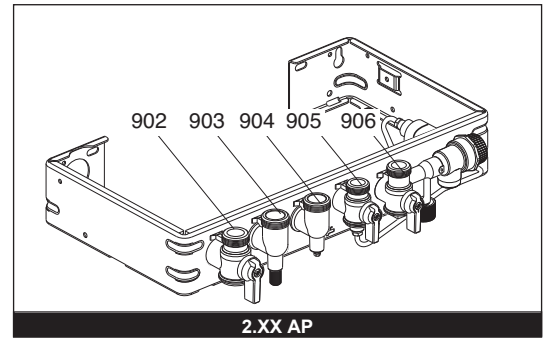
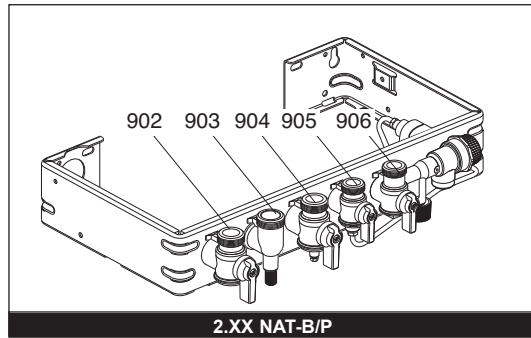
| ☉➔   | Description                     | Manf. Pt. N | Type | CENTORA 1:14 CF<br>CENTORA 3:14 CF<br>CENTORA 3:14 VMC<br>CENTORA 1:14 CF<br>CENTORA 1:14 FF<br>CENTORA 2:24 CF<br>CENTORA 2:24 VMC<br>CENTORA 2:24 FF<br>CENTORA 3:24 CF<br>CENTORA 3:24 VMC<br>CENTORA 2:28 CF<br>CENTORA 2:28 FF |   |   |   |   |   |   |   |   |    |    |    |    |    |    |    |    |       | 31 |
|------|---------------------------------|-------------|------|---|---|---|---|---|---|---|---|---|----|----|----|----|----|----|----|----|-------|----|
|      |                                 |             |      | 1   | 2 | 3 | 4 | 5 | 6 | 7 | 8 | 9 | 10 | 11 | 12 | 13 | 14 | 15 | 16 | 17 | 18    |    |
| 0500 | <b>HYDRAULIC BLOCK</b>          |             |      |   |   |   |   |   |   |   |   |   |    |    |    |    |    |    |    |    |       |    |
| 0501 | TUBE-EXCHAN TO 3-WAY VALVE      | 61010333    |      | •   | • | • | • | • | • | • | • | • | •  | •  | •  | •  | •  | •  | •  |    |       |    |
| 0502 | CLIP                            | 61010012    |      | •   | • | • | • | • | • | • | • | • | •  | •  | •  | •  | •  | •  | •  |    |       |    |
| 0503 | O-RING D: 18.4-2.7              | 60024164-22 |      | •   | • | • | • | • | • | • | • | • | •  | •  | •  | •  | •  | •  | •  |    |       |    |
| 0504 | O-RING D: 17-4                  | 60024164-51 |      | •   | • | • | • | • | • | • | • | • | •  | •  | •  | •  | •  | •  | •  |    |       |    |
| 0505 | THREE-WAY VALVE                 | 61010000    |      | •   | • | • | • | • | • | • | • | • | •  | •  | •  | •  | •  | •  | •  |    | 11/06 |    |
|      | VALVE BLOCK ASSY                | 61010436    |      | •   | • | • | • | • | • | • | • | • | •  | •  | •  | •  | •  | •  | •  |    |       |    |
|      | THREE-WAY VALVE                 | 61305725    |      | •   | • | • | • | • | • | • | • | • | •  | •  | •  | •  | •  | •  | •  |    | 12/06 |    |
|      | THREE-WAY VALVE                 | 61010000    | AP   | •   | • | • | • | • | • | • | • | • | •  | •  | •  | •  | •  | •  | •  |    |       |    |
| 0506 | NUT M 5                         | 61016604    |      | •   | • | • | • | • | • | • | • | • | •  | •  | •  | •  | •  | •  | •  |    | 12/06 |    |
| 0507 | VALVE KIT                       | 61303330    |      | •   | • | • | • | • | • | • | • | • | •  | •  | •  | •  | •  | •  | •  |    | 12/06 |    |
| 0508 | MOTOR - THREE-WAY VALVE         | 60081953    |      | •   | • | • | • | • | • | • | • | • | •  | •  | •  | •  | •  | •  | •  |    | 11/06 |    |
|      | INTERFACE                       | 61304003    |      | •   | • | • | • | • | • | • | • | • | •  | •  | •  | •  | •  | •  | •  |    | 12/06 |    |
|      | MOTOR - THREE-WAY VALVE         | 60081953    | AP   | •   | • | • | • | • | • | • | • | • | •  | •  | •  | •  | •  | •  | •  |    |       |    |
| 0509 | DRAIN SCREW ASSY                | 60081028    |      | •   | • | • | • | • | • | • | • | • | •  | •  | •  | •  | •  | •  | •  |    |       |    |
| 0510 | THERMISTOR TEMP. SENSOR         | 61000733    |      | •   | • | • | • | • | • | • | • | • | •  | •  | •  | •  | •  | •  | •  |    | 11/06 |    |
|      | THERMISTOR TEMP. SENSOR         | 61314955    |      | •   | • | • | • | • | • | • | • | • | •  | •  | •  | •  | •  | •  | •  |    | 12/06 |    |
|      | THERMISTOR TEMP. SENSOR         | 61000733    | AP   | •   | • | • | • | • | • | • | • | • | •  | •  | •  | •  | •  | •  | •  |    |       |    |
| 0511 | TEMPERATURE SENSOR CLIP         | 61002083    |      | •   | • | • | • | • | • | • | • | • | •  | •  | •  | •  | •  | •  | •  |    |       |    |
| 0513 | PLUG                            | 61010485    |      | •   | • | • | • | • | • | • | • | • | •  | •  | •  | •  | •  | •  | •  |    |       |    |
| 0514 | JOINING PLATE                   | 61010439    |      | •   | • | • | • | • | • | • | • | • | •  | •  | •  | •  | •  | •  | •  |    |       |    |
|      | SHUNT PLATE                     | 61010611    |      | •   | • | • | • | • | • | • | • | • | •  | •  | •  | •  | •  | •  | •  |    |       |    |
|      | WATER / WATER HEAT EXCHANGER 14 | 61011164    |      | •   | • | • | • | • | • | • | • | • | •  | •  | •  | •  | •  | •  | •  |    |       |    |
| 0515 | SCREW CBLX M 5-40               | 61010129    |      | •   | • | • | • | • | • | • | • | • | •  | •  | •  | •  | •  | •  | •  |    |       |    |
| 0516 | CLIP                            | 61010609    |      | •   | • | • | • | • | • | • | • | • | •  | •  | •  | •  | •  | •  | •  |    |       |    |
| 0518 | LEFT HAND HYDRAULIC BLOCK       | 61010003    |      | •   | • | • | • | • | • | • | • | • | •  | •  | •  | •  | •  | •  | •  |    |       |    |
| 0520 | BYPASS TUBE                     | 61010044    |      | •   | • | • | • | • | • | • | • | • | •  | •  | •  | •  | •  | •  | •  |    |       |    |
| 0521 | TAPPING SCREW CBLX D: 6.3-19    | 61010127    |      | •   | • | • | • | • | • | • | • | • | •  | •  | •  | •  | •  | •  | •  |    |       |    |
| 0522 | CLIP                            | 61010005    |      | •   | • | • | • | • | • | • | • | • | •  | •  | •  | •  | •  | •  | •  |    |       |    |
| 0524 | MOTOR - THREE-WAY VALVE         | 61302483-01 |      | •   | • | • | • | • | • | • | • | • | •  | •  | •  | •  | •  | •  | •  |    | 12/06 |    |
| 0525 | PIN                             | 61304002    |      | •   | • | • | • | • | • | • | • | • | •  | •  | •  | •  | •  | •  | •  |    | 12/06 |    |
| 0526 | O-RING D: 8.9-2.7               | 61009834-14 |      | •   | • | • | • | • | • | • | • | • | •  | •  | •  | •  | •  | •  | •  |    |       |    |
| 0528 | HOT WATER BEND                  | 61010056    |      | •   | • | • | • | • | • | • | • | • | •  | •  | •  | •  | •  | •  | •  |    |       |    |
| 0529 | HEATING FLOW BEND               | 61010057    |      | •   | • | • | • | • | • | • | • | • | •  | •  | •  | •  | •  | •  | •  |    |       |    |
| 0530 | SHEET GASKET D: 24-17-1.5       | 60061855-19 |      | •   | • | • | • | • | • | • | • | • | •  | •  | •  | •  | •  | •  | •  |    |       |    |
| 0531 | HYDRAULIC PLATE                 | 61010042    |      | •   | • | • | • | • | • | • | • | • | •  | •  | •  | •  | •  | •  | •  |    |       |    |
| 0532 | WATER THROTTLE                  | 60081471    |      | •   | • | • | • | • | • | • | • | • | •  | •  | •  | •  | •  | •  | •  |    |       |    |
| 0535 | BYPASS BODY                     | 61016387    |      | •   | • | • | • | • | • | • | • | • | •  | •  | •  | •  | •  | •  | •  |    |       |    |
| 0537 | O-RING D: 13.6-2.7              | 60024164-18 |      | •   | • | • | • | • | • | • | • | • | •  | •  | •  | •  | •  | •  | •  |    |       |    |
| 0538 | CLIP                            | 61010112    |      | •   | • | • | • | • | • | • | • | • | •  | •  | •  | •  | •  | •  | •  |    |       |    |
| 0539 | O-RING D: 1.9-8                 | 61009833-34 |      | •   | • | • | • | • | • | • | • | • | •  | •  | •  | •  | •  | •  | •  |    |       |    |
| 0540 | ADJUSTING SCREW OF BY-PASS      | 61010111    |      | •   | • | • | • | • | • | • | • | • | •  | •  | •  | •  | •  | •  | •  |    |       |    |
| 0542 | CLIP                            | 60079845    |      | •   | • | • | • | • | • | • | • | • | •  | •  | •  | •  | •  | •  | •  |    |       |    |
| 0543 | TAPPING SCREW CBLX D: 4.2-9.5   | 61010125    |      | •   | • | • | • | • | • | • | • | • | •  | •  | •  | •  | •  | •  | •  |    |       |    |
| 0547 | GAS FILTER                      | 60037309    |      | •   | • | • | • | • | • | • | • | • | •  | •  | •  | •  | •  | •  | •  |    |       |    |
| 0548 | SHEET GASKET D: 24-18.2-1.5     | 60022835-01 |      | •   | • | • | • | • | • | • | • | • | •  | •  | •  | •  | •  | •  | •  |    |       |    |
| 0550 | BEND RETURN                     | 61010055    |      | •   | • | • | • | • | • | • | • | • | •  | •  | •  | •  | •  | •  | •  |    |       |    |
| 0551 | GAS TUBE                        | 60000599    |      | •   | • | • | • | • | • | • | • | • | •  | •  | •  | •  | •  | •  | •  |    | 12/06 |    |
|      | GAS TUBE                        | 61010040    |      | •   | • | • | • | • | • | • | • | • | •  | •  | •  | •  | •  | •  | •  |    | 11/06 |    |
| 0553 | WATER FILTER                    | 61007727    |      | •   | • | • | • | • | • | • | • | • | •  | •  | •  | •  | •  | •  | •  |    |       |    |
| 0558 | PUMP LEAD (2 SPEEDS)            | 61004115    |      | •   | • | • | • | • | • | • | • | • | •  | •  | •  | •  | •  | •  | •  |    |       |    |
| 0559 | O-RING D: 45-3.5                | 61009833-46 |      | •   | • | • | • | • | • | • | • | • | •  | •  | •  | •  | •  | •  | •  |    |       |    |
| 0560 | AIR SEPARATOR HEAD ASSEMBLY     | 61002653    |      | •   | • | • | • | • | • | • | • | • | •  | •  | •  | •  | •  | •  | •  |    |       |    |
| 0561 | RIGHT HAND HYDRAULIC BLOCK      | 61010167    |      | •   | • | • | • | • | • | • | • | • | •  | •  | •  | •  | •  | •  | •  |    |       |    |
| 0562 | TEMPERATURE PROBE + CLIP        | 990686      |      | •   | • | • | • | • | • | • | • | • | •  | •  | •  | •  | •  | •  | •  |    |       |    |
| 0564 | O-RING D: 24.6-3.6              | 61009834-30 |      | •   | • | • | • | • | • | • | • | • | •  | •  | •  | •  | •  | •  | •  |    |       |    |
| 0565 | HEATING FILTER                  | 61305560    |      | •   | • | • | • | • | • | • | • | • | •  | •  | •  | •  | •  | •  | •  |    |       |    |
| 0567 | CLIP                            | 60030898-03 |      | •   | • | • | • | • | • | • | • | • | •  | •  | •  | •  | •  | •  | •  |    |       |    |
| 0569 | EXCHANGER GASKET                | 65104334    |      | •   | • | • | • | • | • | • | • | • | •  | •  | •  | •  | •  | •  | •  |    |       |    |
| 0570 | HEATING RETURN TUBE             | 61010043    |      | •   | • | • | • | • | • | • | • | • | •  | •  | •  | •  | •  | •  | •  |    |       |    |
| 0571 | O-RING D: 16-1.9                | 61009833-37 |      | •   | • | • | • | • | • | • | • | • | •  | •  | •  | •  | •  | •  | •  |    |       |    |
| 0572 | PUMP UP 15/50 230V              | 61010612    |      | •   | • | • | • | • | • | • | • | • | •  | •  | •  | •  | •  | •  | •  |    |       |    |
| 0573 | CAPACITOR                       | 61000652-10 |      | •   | • | • | • | • | • | • | • | • | •  | •  | •  | •  | •  | •  | •  |    |       |    |
| 0574 | PLUG M 10-100                   | 60015709    |      | •   | • | • | • | • | • | • | • | • | •  | •  | •  | •  | •  | •  | •  |    |       |    |
| 0578 | O-RING D: 5.7-1.9               | 60024164-10 |      | •   | • | • | • | • | • | • | • | • | •  | •  | •  | •  | •  | •  | •  |    |       |    |



| ☉➔   | Description                    | Manf. Pt. N | Type    | CENTORA 1:14 CF<br>CENTORA 3:14 CF<br>CENTORA 3:14 VMC<br>CENTORA 1:14 CF<br>CENTORA 1:14 FF<br>CENTORA 2:24 CF<br>CENTORA 2:24 VMC<br>CENTORA 2:24 FF<br>CENTORA 3:24 CF<br>CENTORA 3:24 VMC<br>CENTORA 2:28 CF<br>CENTORA 2:28 FF |   |   |   |   |   |   |   |   |    |    |    |    |    |    |    |    |    | 31 |
|------|--------------------------------|-------------|---------|---|---|---|---|---|---|---|---|---|----|----|----|----|----|----|----|----|----|----|
|      |                                |             |         | 1   | 2 | 3 | 4 | 5 | 6 | 7 | 8 | 9 | 10 | 11 | 12 | 13 | 14 | 15 | 16 | 17 | 18 |    |
| 0600 | <b>ELECTRICAL BOX</b>          |             |         |   |   |   |   |   |   |   |   |   |    |    |    |    |    |    |    |    |    |    |
| 0601 | ELECTRICAL BOX                 | 61010900    | AP      |   |   |   |   |   |   |   |   |   |    |    |    |    |    |    |    |    |    |    |
|      | ELECTRICAL BOX                 | 61306778    | B/P-NAT | •   | • | • | • | • | • | • | • | • | •  | •  | •  | •  | •  | •  | •  |    |    |    |
| 0602 | SCREW FX90 L:16                | 61020510    |         | •   | • | • | • | • | • | • | • | • | •  | •  | •  | •  | •  | •  | •  |    |    |    |
| 0604 | INSTRUCTIONS SUPPORT           | 61306011    |         |   |   |   |   |   |   |   |   |   |    |    |    |    |    |    |    |    |    |    |
|      | INSTRUCTIONS SUPPORT           | 61307953    |         | •   |   | • | • |   |   |   |   |   |    |    |    |    |    |    |    |    |    |    |
|      | INSTRUCTIONS SUPPORT           | 61307954    |         |   | • | • |   |   |   |   |   |   |    |    |    |    |    |    |    |    |    |    |
| 0605 | CONNECTOR                      | 61010349    |         |   |   |   |   |   |   |   |   |   |    |    |    |    |    |    |    |    |    |    |
| 0607 | IGNITER                        | 61002105-20 |         | •   | • | • | • | • | • | • | • | • | •  | •  | •  | •  | •  | •  | •  |    |    |    |
|      | IGNITER                        | 61002105-20 | AP      |   |   |   |   |   |   |   |   |   |    |    |    |    |    |    |    |    |    |    |
| 0608 | IGNITOR CABLE                  | 61010151    | AP      |   |   |   |   |   |   |   |   |   |    |    |    |    |    |    |    |    |    |    |
|      | IGNITOR CABLE                  | 61015739    | B/P-NAT | •   | • | • | • | • | • | • | • | • | •  | •  | •  | •  | •  | •  | •  |    |    |    |
| 0609 | CONNECTOR COVER                | 61010014    |         | •   | • | • | • | • | • | • | • | • | •  | •  | •  | •  | •  | •  | •  |    |    |    |
| 0610 | FAN CABLE                      | 61010332    |         |   |   |   |   |   |   |   |   |   |    |    |    |    |    |    |    |    |    |    |
|      | CONNECTOR                      | 61303358    |         | •   | • | • | • |   |   |   |   |   |    |    |    |    |    |    |    |    |    |    |
| 0611 | WIRE ASSEMBLY                  | 60000593    |         | •   |   |   |   |   |   |   |   |   |    |    |    |    |    |    |    |    |    |    |
|      | WIRE ASSEMBLY                  | 60000594    |         |   |   |   |   |   |   |   |   |   |    |    |    |    |    |    |    |    |    |    |
|      | WIRE ASSEMBLY                  | 60000595    |         |   |   |   |   |   |   |   |   |   |    |    |    |    |    |    |    |    |    |    |
|      | WIRE ASSEMBLY                  | 60000596    |         |   |   |   |   |   |   |   |   |   |    |    |    |    |    |    |    |    |    |    |
|      | WIRE ASSEMBLY                  | 60000598    |         |   |   |   |   |   |   |   |   |   |    |    |    |    |    |    |    |    |    |    |
|      | WIRE ASSEMBLY                  | 60000600    |         |   |   |   |   |   |   |   |   |   |    |    |    |    |    |    |    |    |    |    |
|      | WIRE ASSEMBLY                  | 61304575    |         |   |   |   |   |   |   |   |   |   |    |    |    |    |    |    |    |    |    |    |
|      | WIRE ASSEMBLY                  | 61304576    |         |   |   |   |   |   |   |   |   |   |    |    |    |    |    |    |    |    |    |    |
|      | WIRE ASSEMBLY                  | 61307684    |         |   |   |   |   |   |   |   |   |   |    |    |    |    |    |    |    |    |    |    |
|      | WIRE ASSEMBLY                  | 61307951    |         | •   |   |   |   |   |   |   |   |   |    |    |    |    |    |    |    |    |    |    |
|      | WIRE ASSEMBLY                  | 61307952    |         |   |   |   |   |   |   |   |   |   |    |    |    |    |    |    |    |    |    |    |
|      | WIRE ASSEMBLY                  | 61307958    |         |   |   |   |   |   |   |   |   |   |    |    |    |    |    |    |    |    |    |    |
|      | WIRE ASSEMBLY                  | 61307968    |         |   |   |   |   |   |   |   |   |   |    |    |    |    |    |    |    |    |    |    |
|      | WIRE ASSEMBLY                  | 61010884    | AP      |   |   |   |   |   |   |   |   |   |    |    |    |    |    |    |    |    |    |    |
|      | WIRE ASSEMBLY                  | 61010915    | AP      |   |   |   |   |   |   |   |   |   |    |    |    |    |    |    |    |    |    |    |
|      | WIRE ASSEMBLY                  | 61016315    | AP      |   |   |   |   |   |   |   |   |   |    |    |    |    |    |    |    |    |    |    |
|      | WIRE ASSEMBLY                  | 60000594    | B/P-NAT |   |   |   |   |   |   |   |   |   |    |    |    |    |    |    |    |    |    |    |
|      | WIRE ASSEMBLY                  | 60000595    | B/P-NAT |   |   |   |   |   |   |   |   |   |    |    |    |    |    |    |    |    |    |    |
|      | WIRE ASSEMBLY                  | 61304575    | B/P-NAT |   |   |   |   |   |   |   |   |   |    |    |    |    |    |    |    |    |    |    |
|      | WIRE ASSEMBLY                  | 61304576    | B/P-NAT |   |   |   |   |   |   |   |   |   |    |    |    |    |    |    |    |    |    |    |
|      | WIRE ASSEMBLY                  | 60000597    | NAT     |   |   |   |   |   |   |   |   |   |    |    |    |    |    |    |    |    |    |    |
|      | WIRE ASSEMBLY                  | 61306314    | NAT     |   |   |   |   |   |   |   |   |   |    |    |    |    |    |    |    |    |    |    |
| 0612 | CONNECTION STRIP               | 61010152    |         | •   | • | • | • | • | • | • | • | • | •  | •  | •  | •  | •  | •  | •  |    |    |    |
| 0613 | TAPPING SCREW TCBL D:4 L:10    | 61020509    |         | •   | • | • | • | • | • | • | • | • | •  | •  | •  | •  | •  | •  | •  |    |    |    |
| 0614 | ELECTRICAL BOX COVER           | 61010007    |         | •   | • | • | • | • | • | • | • | • | •  | •  | •  | •  | •  | •  | •  |    |    |    |
| 0615 | PRINTED CIRCUIT BOARD OF POWER | 61018121-01 | AP      |   |   |   |   |   |   |   |   |   |    |    |    |    |    |    |    |    |    |    |
|      | PRINTED CIRCUIT BOARDS         | 60000602    | B/P-NAT | •   | • | • | • | • | • | • | • | • | •  | •  | •  | •  | •  | •  | •  |    |    |    |
|      | PRINTED CIRCUIT BOARDS         | 61308277    | B/P-NAT | •   | • | • | • | • | • | • | • | • | •  | •  | •  | •  | •  | •  | •  |    |    |    |
| 0616 | PRINTED CIRCUIT BOARD OF REGU. | 61010047    | AP      |   |   |   |   |   |   |   |   |   |    |    |    |    |    |    |    |    |    |    |
| 0617 | ELECTRIC BOX PLATE             | 61010006    |         | •   | • | • | • | • | • | • | • | • | •  | •  | •  | •  | •  | •  | •  |    |    |    |
| 0618 | PLUG                           | 61011316    |         | •   | • | • | • | • | • | • | • | • | •  | •  | •  | •  | •  | •  | •  |    |    |    |
| 0619 | PROTECTIVE PLATE               | 61010239    |         | •   | • | • | • | • | • | • | • | • | •  | •  | •  | •  | •  | •  | •  |    |    |    |
| 0620 | CENTRING PIECE                 | 61010241    |         | •   | • | • | • | • | • | • | • | • | •  | •  | •  | •  | •  | •  | •  |    |    |    |
| 0621 | TRANSMITTER OF LEDS - TEMPERA. | 61303699    |         | •   | • | • | • | • | • | • | • | • | •  | •  | •  | •  | •  | •  | •  |    |    |    |
| 0622 | IGNITION PUSH ROD              | 61010072    |         | •   | • | • | • | • | • | • | • | • | •  | •  | •  | •  | •  | •  | •  |    |    |    |
| 0623 | TRANSMITTER OF LEDS - ON/OFF   | 61303700    |         | •   | • | • | • | • | • | • | • | • | •  | •  | •  | •  | •  | •  | •  |    |    |    |
| 0627 | FUSE 250V 2A - TEMPORIZED      | 61003456    |         | •   | • | • | • | • | • | • | • | • | •  | •  | •  | •  | •  | •  | •  |    |    |    |
| 0628 | FUSE 250V 0.315A - TEMPORIZED  | 61307845    |         | •   | • | • | • | • | • | • | • | • | •  | •  | •  | •  | •  | •  | •  |    |    |    |
| 0629 | FUSE 250V 1.25A - TEMPORIZED   | 61003635    |         | •   | • | • | • | • | • | • | • | • | •  | •  | •  | •  | •  | •  | •  |    |    |    |
| 0630 | EARTH WIRE                     | 61011585    |         |   |   |   |   |   |   |   |   |   |    |    |    |    |    |    |    |    |    |    |
| 0631 | EARTH WIRE                     | 61305498    |         | •   | • | • | • | • | • | • | • | • | •  | •  | •  | •  | •  | •  | •  |    |    |    |
| 0632 | CLOSURE PLATE                  | 61304599    |         | •   | • | • | • | • | • | • | • | • | •  | •  | •  | •  | •  | •  | •  |    |    |    |
| 0635 | SUPPORT BRACKET                | 61304977    |         | •   | • | • | • | • | • | • | • | • | •  | •  | •  | •  | •  | •  | •  |    |    |    |
| 0636 | TAPPING SCREW D: 3.5-9.5       | 61015329    |         | •   | • | • | • | • | • | • | • | • | •  | •  | •  | •  | •  | •  | •  |    |    |    |
| 0638 | CABLE THREE WAY VALVE          | 61305893    |         |   |   |   |   |   |   |   |   |   |    |    |    |    |    |    |    |    |    |    |
|      | CABLE THREE WAY VALVE          | 61312615    |         |   |   |   |   |   |   |   |   |   |    |    |    |    |    |    |    |    |    |    |
| 0641 | CONTACT SOCKET CONNECTOR 2 P.  | 61307926    |         | •   | • | • | • | • | • | • | • | • | •  | •  | •  | •  | •  | •  | •  |    |    |    |
| 0642 | BLACK SHUNT                    | 61400030    |         | •   | • | • | • | • | • | • | • | • | •  | •  | •  | •  | •  | •  | •  |    |    |    |
| 0643 | CONTACT SOCKET CONNECTOR 3 P.  | 61003209    |         | •   | • | • | • | • | • | • | • | • | •  | •  | •  | •  | •  | •  | •  |    |    |    |
| 0644 | FEEDER                         | 61302102    |         | •   | • | • | • | • | • | • | • | • | •  | •  | •  | •  | •  | •  | •  |    |    |    |
|      | CONNECTING TERMINAL            | 61308032    |         | •   | • | • | • | • | • | • | • | • | •  | •  | •  | •  | •  | •  | •  |    |    |    |
| 0645 | CABLE (P.C.B.)                 | 60000179    |         | •   | • | • | • | • | • | • | • | • | •  | •  | •  | •  | •  | •  | •  |    |    |    |



| ☉⇒          | Description                    | Manf. Pt. N | Type | <div style="display: flex; justify-content: space-between; font-size: small;"> <span>CENTORA 1-14 CF</span> <span>CENTORA 3-14 CF</span> <span>CENTORA 3-14 VMC</span> <span>CENTORA 1-14 CF</span> <span>CENTORA 1-14 FF</span> <span>CENTORA 2-24 CF</span> <span>CENTORA 2-24 VMC</span> <span>CENTORA 3-24 FF</span> <span>CENTORA 3-24 CF</span> <span>CENTORA 3-24 VMC</span> <span>CENTORA 2-28 CF</span> <span>CENTORA 2-28 FF</span> </div> |   |   |   |   |   |   |   |   |    |    |    |    |    |    |    |    |    | 31 |
|-------------|--------------------------------|-------------|------|--|---|---|---|---|---|---|---|---|----|----|----|----|----|----|----|----|----|----|
|             |                                |             |      | 1  | 2 | 3 | 4 | 5 | 6 | 7 | 8 | 9 | 10 | 11 | 12 | 13 | 14 | 15 | 16 | 17 | 18 |    |
| <b>0700</b> | <b>CHASSIS</b>                 |             |      |  |   |   |   |   |   |   |   |   |    |    |    |    |    |    |    |    |    |    |
| 0701        | TOP STAY PLATE                 | 61010029    |      | •  | • | • | • | • | • | • | • | • | •  | •  | •  |    |    |    |    |    |    |    |
| 0703        | EXPANSION VESSEL               | 60056676-06 |      | •  | • | • | • | • | • | • | • | • | •  | •  | •  |    |    |    |    |    |    |    |
| 0705        | EXPANSION VESSEL AIR HOSE      | 61010170    |      | •  | • | • | • | • | • | • | • | • | •  | •  | •  |    |    |    |    |    |    |    |
| 0706        | TAPPING SCREW CBLSX D: 6.3-19  | 61014516    |      | •  | • | • | • | • | • | • | • | • | •  | •  | •  |    |    |    |    |    |    |    |
| 0709        | FLEXIBLE PIPE KIT              | 60081824    |      | •  | • | • | • | • | • | • | • | • | •  | •  | •  |    |    |    |    |    |    |    |
| 0710        | CLIP                           | 61002406    |      | •  | • | • | • | • | • | • | • | • | •  | •  | •  |    |    |    |    |    |    |    |
| 0711        | O RING D: 5.7-1.9              | 61009834-10 |      | •  | • | • | • | • | • | • | • | • | •  | •  | •  |    |    |    |    |    |    |    |
| 0712        | SHEET GASKET D: 12-6-2         | 61308868    |      | •  | • | • | • | • | • | • | • | • | •  | •  | •  |    |    |    |    |    |    |    |
| 0713        | CLIP                           | 61010005    |      | •  | • | • | • | • | • | • | • | • | •  | •  | •  |    |    |    |    |    |    |    |
| 0714        | O-RING D: 8.9-2.7              | 61009834-14 |      | •  | • | • | • | • | • | • | • | • | •  | •  | •  |    |    |    |    |    |    |    |
| <b>0800</b> | <b>FRONT CASE</b>              |             |      |  |   |   |   |   |   |   |   |   |    |    |    |    |    |    |    |    |    |    |
| 0801        | TAPPING SCREW CBLSX D: 4.2-9.5 | 61010125    |      | •  | • | • | • | • | • | • | • | • | •  | •  | •  |    |    |    |    |    |    |    |
| 0802        | CASE                           | 61010016    |      | •  | • | • | • | • | • | • | • | • | •  | •  | •  |    |    |    |    |    |    |    |
| 0805        | PRESSURE GAUGE                 | 61303158    |      | •  | • | • | • | • | • | • | • | • | •  | •  | •  |    |    |    |    |    |    |    |
| 0807        | SERIGRAPHED STRIP (FOR PROG.)  | 61305085    |      |  |   |   |   |   | • | • | • |   |    | •  | •  |    |    |    |    |    |    |    |
|             | SERIGRA. STRIP (WITHOUT PROG.) | 61305087    |      | •  |   |   | • | • |   |   |   |   |    |    | •  | •  |    |    |    |    |    |    |
|             | SERIGRA. STRIP (WITHOUT PROG.) | 61305089    |      |  |   |   |   | • | • | • |   |   |    |    | •  | •  |    |    |    |    |    |    |
|             | SERIGRA. STRIP (WITHOUT PROG.) | 61308450    |      |  | • | • |   |   |   |   | • | • | •  |    |    |    |    |    |    |    |    |    |
| 0811        | WHITE KNOB                     | 61304848    |      |  | • | • |   |   |   |   | • | • | •  |    |    |    |    |    |    |    |    |    |
|             | WHITE KNOB                     | 61305158    |      | •  |   |   | • | • | • | • |   |   |    |    | •  | •  |    |    |    |    |    |    |
| 0813        | SPACER                         | 61015797    |      | •  | • | • | • | • | • | • | • | • | •  | •  | •  |    |    |    |    |    |    |    |
| 0815        | SCREW FX90 D: 3.5-16           | 61010133    |      | •  | • | • | • | • | • | • | • | • | •  | •  | •  |    |    |    |    |    |    |    |

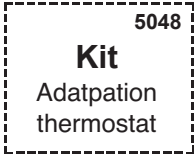
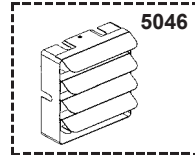
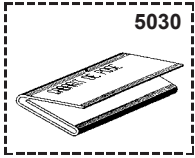
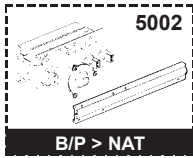
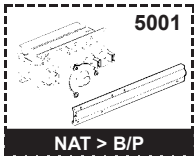


| ☉⇒   | Description                          | Manf. Pt. N | Type    | <div style="display: flex; justify-content: space-between; font-size: 8px; text-align: center;"> <span>CENTORA 1.14 CF</span><span>CENTORA 3.14 CF</span><span>CENTORA 8.14 VMC</span><span>CENTORA 1.14 CF</span><span>CENTORA 1.14 FF</span><span>CENTORA 2.24 CF</span><span>CENTORA 2.24 VMC</span><span>CENTORA 2.24 FF</span><span>CENTORA 3.24 CF</span><span>CENTORA 3.24 VMC</span><span>CENTORA 2.28 CF</span><span>CENTORA 2.28 FF</span> </div> |   |   |   |   |   |   |   |   |    |    |    |    |    |    |    |    |    | 31 |
|------|--------------------------------------|-------------|---------|---|---|---|---|---|---|---|---|---|----|----|----|----|----|----|----|----|----|----|
|      |                                      |             |         | 1   | 2 | 3 | 4 | 5 | 6 | 7 | 8 | 9 | 10 | 11 | 12 | 13 | 14 | 15 | 16 | 17 | 18 |    |
| 0900 | <b>JIG PLATE &amp; PIPE FITTING</b>  |             |         |   |   |   |   |   |   |   |   |   |    |    |    |    |    |    |    |    |    |    |
| 0902 | WATER FLOW SERVICE TAP               | 61020388    |         | •   | • | • | • | • | • | • | • | • | •  | •  | •  | •  | •  | •  | •  |    |    |    |
| 0903 | HOT WATER CONNECTION                 | 61020916    |         |   |   |   |   |   | • | • | • | • | •  | •  | •  | •  | •  | •  | •  |    |    |    |
| 0904 | GAS CONNECTION                       | 61020917    | AP      |   |   |   |   |   | • | • | • | • | •  | •  | •  | •  | •  | •  | •  |    |    |    |
|      | GAS SERVICE TAP                      | 61020389    | NAT-B/P | •   | • | • | • | • | • | • | • | • | •  | •  | •  | •  | •  | •  | •  |    |    |    |
| 0905 | COLD WATER TAP                       | 61302612    |         |   |   |   |   |   | • | • | • | • | •  | •  | •  | •  | •  | •  | •  |    |    |    |
| 0906 | WATER RETURN SERVICE TAP             | 61302614    |         | •   | • | • | • | • | • | • | • | • | •  | •  | •  | •  | •  | •  | •  |    |    |    |
| 0907 | WALL HOOK                            | 61002497    |         | •   | • | • | • | • | • | • | • | • | •  | •  | •  | •  | •  | •  | •  |    |    |    |
| 0908 | WASHER D: 14.2-7.2-1.2               | 60005369-03 |         | •   | • | • | • | • | • | • | • | • | •  | •  | •  | •  | •  | •  | •  |    |    |    |
| 0909 | WOOD SCREW                           | 60025617-03 |         | •   | • | • | • | • | • | • | • | • | •  | •  | •  | •  | •  | •  | •  |    |    |    |
| 0911 | DISCONNECTOR TUBE                    | 61010065    |         |   |   |   |   |   | • | • | • | • | •  | •  | •  | •  | •  | •  | •  |    |    |    |
| 0912 | O-RING D: 6-1                        | 60024164-41 |         |   |   |   |   |   | • | • | • | • | •  | •  | •  | •  | •  | •  | •  |    |    |    |
| 0913 | SHEET GASKET D: 14.8-10.3-1.5        | 60061854-11 |         |   |   |   |   |   | • | • | • | • | •  | •  | •  | •  | •  | •  | •  |    |    |    |
| 0914 | NUT 3/8» THICK: 11                   | 60020746-20 |         |   |   |   |   |   | • | • | • | • | •  | •  | •  | •  | •  | •  | •  |    |    |    |
| 0915 | CONNECTING PIPE                      | 60001574    |         |   |   |   |   |   | • | • | • | • | •  | •  | •  | •  | •  | •  | •  |    |    |    |
| 0916 | TUBE PVC D: 9x12 L: 1M               | 60081266    |         |   |   |   |   |   | • | • | • | • | •  | •  | •  | •  | •  | •  | •  |    |    |    |
| 0917 | SHEET GASKET D: 24-17-1.5            | 60061855-19 |         | •   | • | • | • | • | • | • | • | • | •  | •  | •  | •  | •  | •  | •  |    |    |    |
| 0918 | LOCK NUT                             | 60031140    |         | •   | • | • | • | • | • | • | • | • | •  | •  | •  | •  | •  | •  | •  |    |    |    |
| 0919 | FLOW REGULATORE 7L/MIN(DARK GREEN)   | 61002775-07 |         |   |   |   |   |   | • | • | • | • | •  | •  | •  | •  | •  | •  | •  |    |    |    |
|      | FLOW REGULATORE 8L/MIN (WHITE)       | 61002775-08 |         |   |   |   |   |   | • | • | • | • | •  | •  | •  | •  | •  | •  | •  |    |    |    |
|      | FLOW REGULATORE 10L/MIN (BLUE)       | 61002775-10 |         |   |   |   |   |   | • | • | • | • | •  | •  | •  | •  | •  | •  | •  |    |    |    |
|      | FLOW REGULATORE 12L/MIN (RED)        | 61002775-12 |         |   |   |   |   |   | • | • | • | • | •  | •  | •  | •  | •  | •  | •  |    |    |    |
|      | FLOW REGULATORE 14L/MIN (PINK)       | 61002775-14 |         |   |   |   |   |   | • | • | • | • | •  | •  | •  | •  | •  | •  | •  |    |    |    |
|      | FLOW REGULATORE 15L/MIN (PALE GREEN) | 61002775-15 |         |   |   |   |   |   | • | • | • | • | •  | •  | •  | •  | •  | •  | •  |    |    |    |
| 0920 | CONTRODADO H 1/2                     | 60031139    |         |   |   |   |   |   | • | • | • | • | •  | •  | •  | •  | •  | •  | •  |    |    |    |
| 0921 | SHEET GASKET D: 24-18.2-1.5          | 60022835-01 |         | •   | • | • | • | • | • | • | • | • | •  | •  | •  | •  | •  | •  | •  |    |    |    |
| 0922 | HAND LEVER BLACK                     | 61302611    |         | •   | • | • | • | • | • | • | • | • | •  | •  | •  | •  | •  | •  | •  |    |    |    |
| 0923 | HAND LEVER YELLOW                    | 61302610    |         | •   | • | • | • | • | • | • | • | • | •  | •  | •  | •  | •  | •  | •  |    |    |    |
| 0925 | DRAIN SCREW ASSY                     | 60081028    |         | •   | • | • | • | • | • | • | • | • | •  | •  | •  | •  | •  | •  | •  |    |    |    |
| 0927 | PRESSURE TEST POINT SCREW            | 61016378    |         | •   | • | • | • | • | • | • | • | • | •  | •  | •  | •  | •  | •  | •  |    |    |    |
| 0928 | DISCONNECTOR KIT                     | 60081664    |         |   |   |   |   |   | • | • | • | • | •  | •  | •  | •  | •  | •  | •  |    |    |    |
| 0929 | NUT H M 10-1                         | 60031825-08 |         |   |   |   |   |   | • | • | • | • | •  | •  | •  | •  | •  | •  | •  |    |    |    |
| 0930 | SHEET GASKET D: 8.5-4.1-1.5          | 60061852-12 |         |   |   |   |   |   | • | • | • | • | •  | •  | •  | •  | •  | •  | •  |    |    |    |
| 0931 | GRUB SCREW                           | 61304327    |         | •   | • | • | • | • | • | • | • | • | •  | •  | •  | •  | •  | •  | •  |    |    |    |
| 0936 | O-RING D: 13.6-2.7                   | 61009834-18 |         | •   | • | • | • | • | • | • | • | • | •  | •  | •  | •  | •  | •  | •  |    |    |    |
| 0937 | TUBE PVC D: 13x17 L: 1M              | 60081266-02 |         | •   | • | • | • | • | • | • | • | • | •  | •  | •  | •  | •  | •  | •  |    |    |    |
| 0938 | PRESSURE RELIEF VALVE                | 61020933    |         | •   | • | • | • | • | • | • | • | • | •  | •  | •  | •  | •  | •  | •  |    |    |    |
| 0939 | WASHER D: 18.4-12.2-1.5              | 60061855-14 |         | •   | • | • | • | • | • | • | • | • | •  | •  | •  | •  | •  | •  | •  |    |    |    |
| 0940 | NUT 1/2» THICK: 10                   | 60020747-68 |         | •   | • | • | • | • | • | • | • | • | •  | •  | •  | •  | •  | •  | •  |    |    |    |
| 0941 | VALVE CONNECTING PIPE                | 60047727    |         | •   | • | • | • | • | • | • | • | • | •  | •  | •  | •  | •  | •  | •  |    |    |    |
| 0942 | FILLER NECK                          | 61020885    |         | •   | • | • | • | • | • | • | • | • | •  | •  | •  | •  | •  | •  | •  |    |    |    |
| 0943 | ACCESSORY KIT                        | 61010324    |         |   |   |   |   |   | • | • | • | • | •  | •  | •  | •  | •  | •  | •  |    |    |    |
| 0946 | NON-RETURN VALVE                     | 61014425    |         | •   | • | • | • | • | • | • | • | • | •  | •  | •  | •  | •  | •  | •  |    |    |    |
| 0948 | GREY KNOB                            | 61302613    |         | •   | • | • | • | • | • | • | • | • | •  | •  | •  | •  | •  | •  | •  |    |    |    |
| 0950 | TAP HEAD                             | 61314798    |         | •   | • | • | • | • | • | • | • | • | •  | •  | •  | •  | •  | •  | •  |    |    |    |

01/04

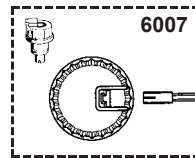
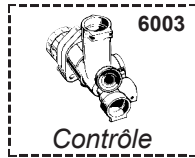
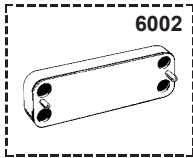
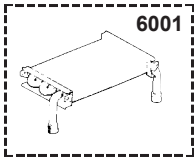


5000



CENTORA

6000



Domestic Gas Boilers

| Description                         | Manf. Pt. N | Type | CENTORA 1.14 CF<br>CENTORA 3.14 CF<br>CENTORA 3.14 VMC<br>CENTORA 1.14 CF<br>CENTORA 1.14 FF<br>CENTORA 2.24 CF<br>CENTORA 2.24 VMC<br>CENTORA 3.24 FF<br>CENTORA 3.24 VMC<br>CENTORA 2.28 CF<br>CENTORA 2.28 FF |   |   |   |   |   |   |   |   |    |    |    |    |    |    |    |    |    | 31 |
|-------------------------------------|-------------|------|--|---|---|---|---|---|---|---|---|----|----|----|----|----|----|----|----|----|----|
|                                     |             |      | 1  | 2 | 3 | 4 | 5 | 6 | 7 | 8 | 9 | 10 | 11 | 12 | 13 | 14 | 15 | 16 | 17 | 18 |    |
| <b>5000 ACCESSORIES</b>             |             |      |  |   |   |   |   |   |   |   |   |    |    |    |    |    |    |    |    |    |    |
| 5001 CONVERSION KIT NAT > LPG       | 60000612    |      |  |   |   |   |   |   |   |   |   |    |    |    |    |    |    |    |    |    |    |
| CONVERSION KIT NAT > LPG            | 60000614    |      |  |   |   |   |   |   |   |   |   |    |    |    |    |    |    |    |    |    |    |
| CONVERSION KIT NAT > LPG            | 60000617    |      |  |   |   |   |   |   |   |   |   |    |    |    |    |    |    |    |    |    |    |
| CONVERSION KIT NAT > LPG            | 60000914    |      |  |   |   |   |   |   |   |   |   |    |    |    |    |    |    |    |    |    |    |
| CONVERSION KIT NAT > LPG            | 61018431    |      |  |   |   |   |   |   |   |   |   |    |    |    |    |    |    |    |    |    |    |
| CONVERSION KIT NAT > LPG            | 61018432    |      |  |   |   |   |   |   |   |   |   |    |    |    |    |    |    |    |    |    |    |
| CONVERSION KIT NAT > LPG            | 61018433    |      |  |   |   |   |   |   |   |   |   |    |    |    |    |    |    |    |    |    |    |
| CONVERSION KIT NAT > LPG            | 61301725    |      |  |   |   |   |   |   |   |   |   |    |    |    |    |    |    |    |    |    |    |
| 5002 CONVERSION KIT LPG > NAT       | 60000609    |      |  |   |   |   |   |   |   |   |   |    |    |    |    |    |    |    |    |    |    |
| CONVERSION KIT LPG > NAT            | 60000611    |      |  |   |   |   |   |   |   |   |   |    |    |    |    |    |    |    |    |    |    |
| CONVERSION KIT LPG > NAT            | 60000613    |      |  |   |   |   |   |   |   |   |   |    |    |    |    |    |    |    |    |    |    |
| CONVERSION KIT LPG > NAT            | 60000615    |      |  |   |   |   |   |   |   |   |   |    |    |    |    |    |    |    |    |    |    |
| CONVERSION KIT BUT/PROP > NAT       | 61018427    |      |  |   |   |   |   |   |   |   |   |    |    |    |    |    |    |    |    |    |    |
| CONVERSION KIT BUT/PROP > NAT       | 61018428    |      |  |   |   |   |   |   |   |   |   |    |    |    |    |    |    |    |    |    |    |
| CONVERSION KIT LPG > NAT            | 61018429    |      |  |   |   |   |   |   |   |   |   |    |    |    |    |    |    |    |    |    |    |
| 5030 JIG PLATE                      | 61010073    |      |  |   |   |   |   |   |   |   |   |    |    |    |    |    |    |    |    |    |    |
| 5041 ANTIFREEZE KIT                 | 61011278    | AP   |  |   |   |   |   |   |   |   |   |    |    |    |    |    |    |    |    |    |    |
| ANTIFREEZE KIT                      | 61011279    | AP   |  |   |   |   |   |   |   |   |   |    |    |    |    |    |    |    |    |    |    |
| 5042 INTERFACE SYSTEM - ROOM THERMO | 61012505    | AP   |  |   |   |   |   |   |   |   |   |    |    |    |    |    |    |    |    |    |    |
| 5043 KIT CENTORA 2.24>18 CF LPG     | 61306086    |      |  |   |   |   |   |   |   |   |   |    |    |    |    |    |    |    |    |    |    |
| KIT CENTORA 2.24>18 CF NAT          | 61306087    |      |  |   |   |   |   |   |   |   |   |    |    |    |    |    |    |    |    |    |    |
| KIT CENTORA 2.24>18 VMC NAT         | 61306091    |      |  |   |   |   |   |   |   |   |   |    |    |    |    |    |    |    |    |    |    |
| 5046 DEFLECTOR 30DEG KIT            | 61014810    |      |  |   |   |   |   |   |   |   |   |    |    |    |    |    |    |    |    |    |    |
| 5048 THERMOSTAT ADAPTATION KIT      | 61015000    | AP   |  |   |   |   |   |   |   |   |   |    |    |    |    |    |    |    |    |    |    |
| 5051 BOILER THERMISTOR TEMP. SENSOR | 60000454    |      |  |   |   |   |   |   |   |   |   |    |    |    |    |    |    |    |    |    |    |
| THERMISTOR TEMPE. SENSOR KIT        | 61308624    |      |  |   |   |   |   |   |   |   |   |    |    |    |    |    |    |    |    |    |    |
| <b>6000 MAINTENANCE</b>             |             |      |  |   |   |   |   |   |   |   |   |    |    |    |    |    |    |    |    |    |    |
| 6001 DESCALING INTERFACE/HEAT EXCHA | 61014100    |      |  |   |   |   |   |   |   |   |   |    |    |    |    |    |    |    |    |    |    |
| DESCALING INTERFACE/WATER EXCH      | 61011075    |      |  |   |   |   |   |   |   |   |   |    |    |    |    |    |    |    |    |    |    |
| 6003 SIMULATING BOX 3 WAY VALVE     | 61012597    |      |  |   |   |   |   |   |   |   |   |    |    |    |    |    |    |    |    |    |    |
| 6006 SPANNER                        | 61302650    |      |  |   |   |   |   |   |   |   |   |    |    |    |    |    |    |    |    |    |    |
| 6007 STOPPED W/THROT. CONNECTOR KIT | 61306970    |      |  |   |   |   |   |   |   |   |   |    |    |    |    |    |    |    |    |    |    |

## LIST OF THE ABBREVIATIONS

|             |  |
|-------------|--|
| HW .....    | : Hot water.                                   |
| CW .....    | : Cold water.                                  |
| C .....     | : Ceramic resistance (normal heating).         |
| Ca .....    | : Ceramic resistance (accelerated heating)     |
| TP .....    | : Immersion heater.                            |
| 1F .....    | : With fittings.                               |
| 2F .....    | : Without fittings.                            |
| 3F .....    | : With fittings and another outlet connection. |
| AMI .....   | : With mixing valve.                           |
| SMI .....   | : Without mixing valve.                        |
| PUISS ..... | : Power of th appliance.                       |
| PN .....    | : Appliance with normal pression.              |
| LP .....    | : Appliance with low pression.                 |
| PV .....    | : Appliance with variable power.               |
| PF .....    | : Appliance with fixed power.                  |

## IDENTIFICATION PLATE

### SERIAL NUMBER

|                             |                           |                                   |  |
|-----------------------------|---------------------------|-----------------------------------|--|
| <b>10 Characters :</b>      | 04 05 125 011             |                                   |  |
|                             |                           | Sequential number                 |  |
|                             |                           | Manufacturing day                 |  |
|                             |                           | Year of manufacture               |  |
| <b>11 Characters :</b>      | 1 95 065004 - 31          |                                   |  |
| Month of manufacture :      |                           | Technical number of the appliance |  |
| from 1 to 9 → Jan. to Sep., |                           | Sequential number                 |  |
| O → Oct., N → Nov.,         |                           | Year of manufacture               |  |
| D → Dec.                    |                           |                                   |  |
| <b>19 Characters :</b>      | 08 05 0013199 900640031   |                                   |  |
| Year of manufacture         |                           | Product reference                 |  |
| Month of manufacture        |                           | Sequential number                 |  |
| <b>20 Characters :</b>      | 3675007 XX 2 07 070 00315 |                                   |  |
| Product reference           |                           | Sequential number                 |  |
| Millenium of manufacture    |                           | Manufacturing day                 |  |
|                             |                           | Year of manufacture               |  |
| <b>21 Characters :</b>      | 3675007 XX 07 070 0000315 |                                   |  |
| Product reference           |                           | Sequential number                 |  |
| Year of manufacture         |                           | Manufacturing day                 |  |

The indications mentioned on the prices, commercial or technical literature and the scheme are written for your guidance and are available at a given time. The CONSTRUCTOR retains the power to modify the presentation, the form, the size, the conception or the material of the products.