

## SPARE PARTS EXPLODED VIEW GAS WALL BOILERS

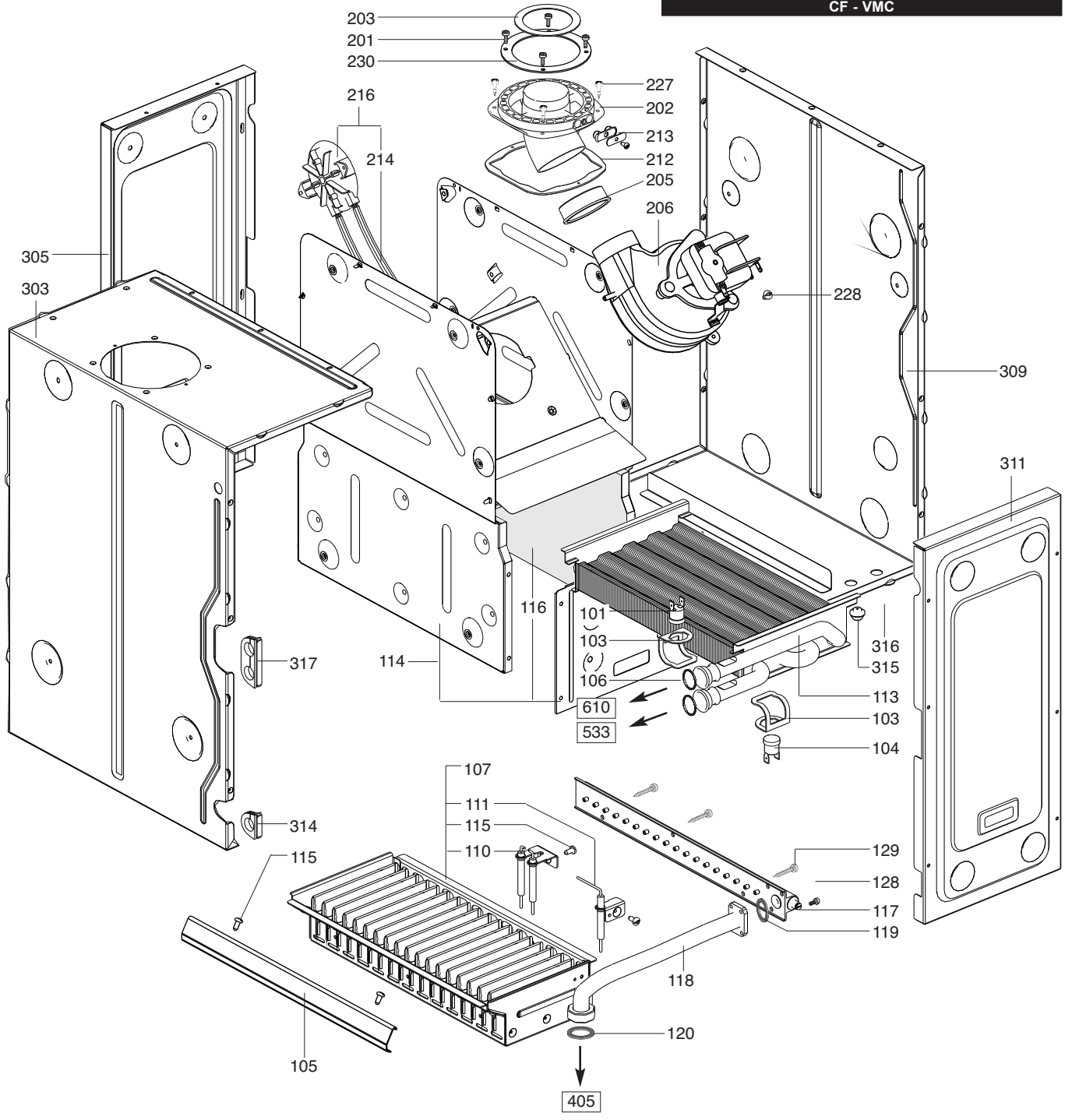
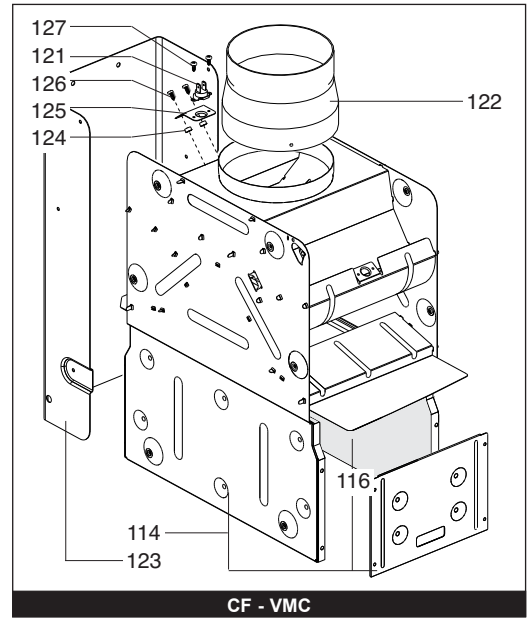
Model

**BALIXIA**

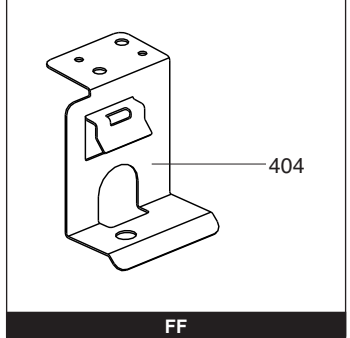
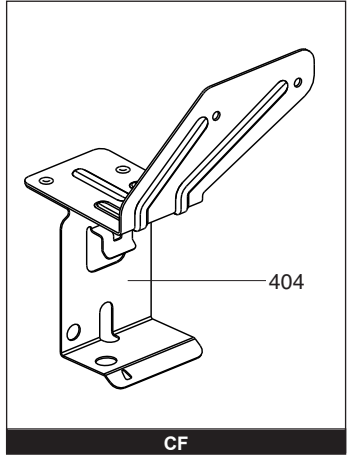
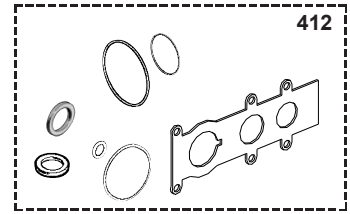
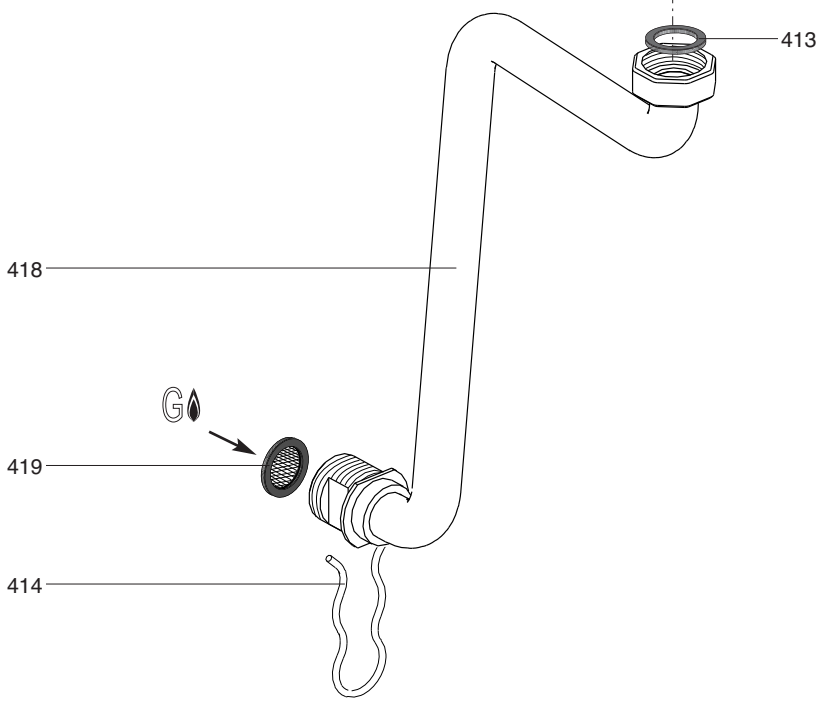
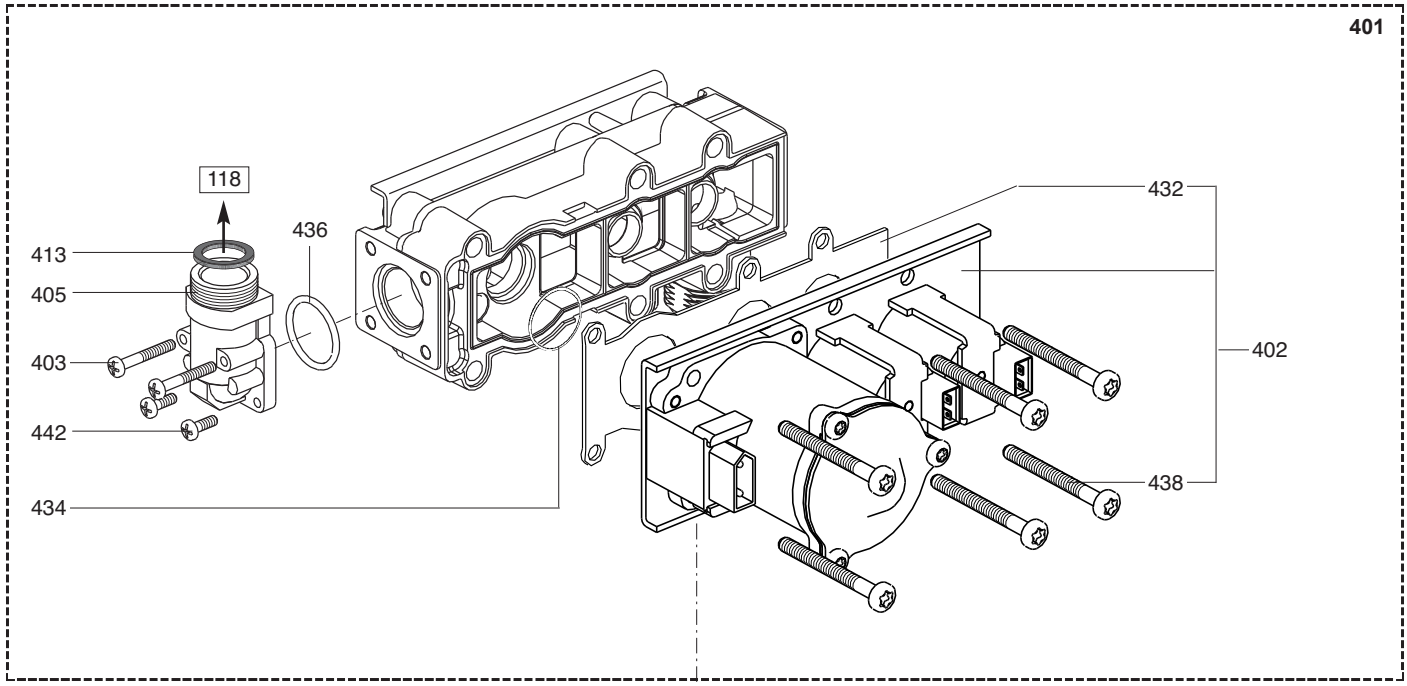
R8202638-07 - 20/03/2012

1	200006766031	BALIXIA 24 CF NAT	11/02	03/07
1	200006766021	BALIXIA 24 CF B/P	11/02	03/07
2	200006766036	BALIXIA 24 VMC NAT	11/02	03/07
2	200006766026	BALIXIA 24 VMC B/P	11/02	03/07
3	200006766037	BALIXIA 24 FF NAT	11/02	03/07
3	200006766027	BALIXIA 24 FF B/P	11/02	03/07

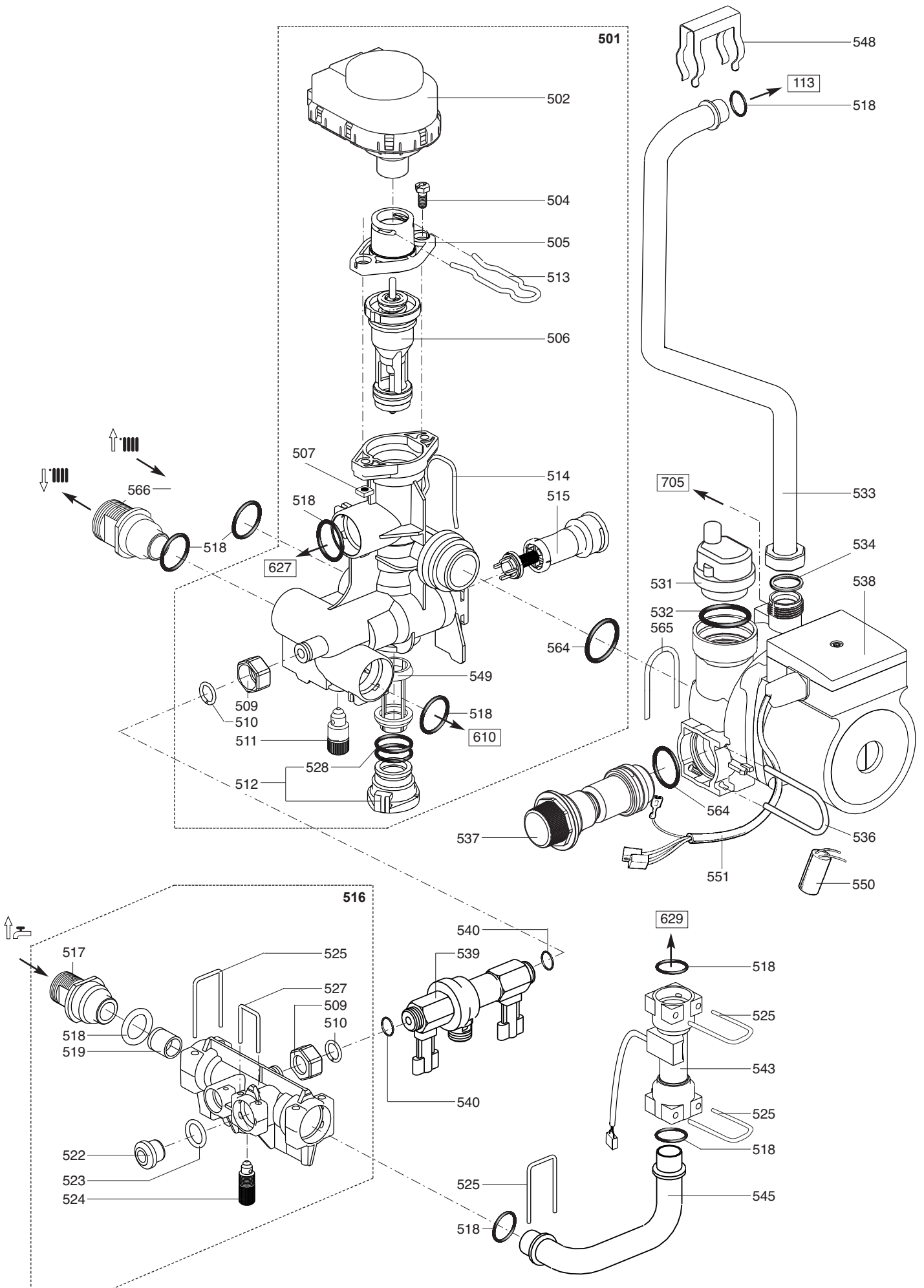
Col	Reference	Model type	Begin	End
-----	-----------	------------	-------	-----



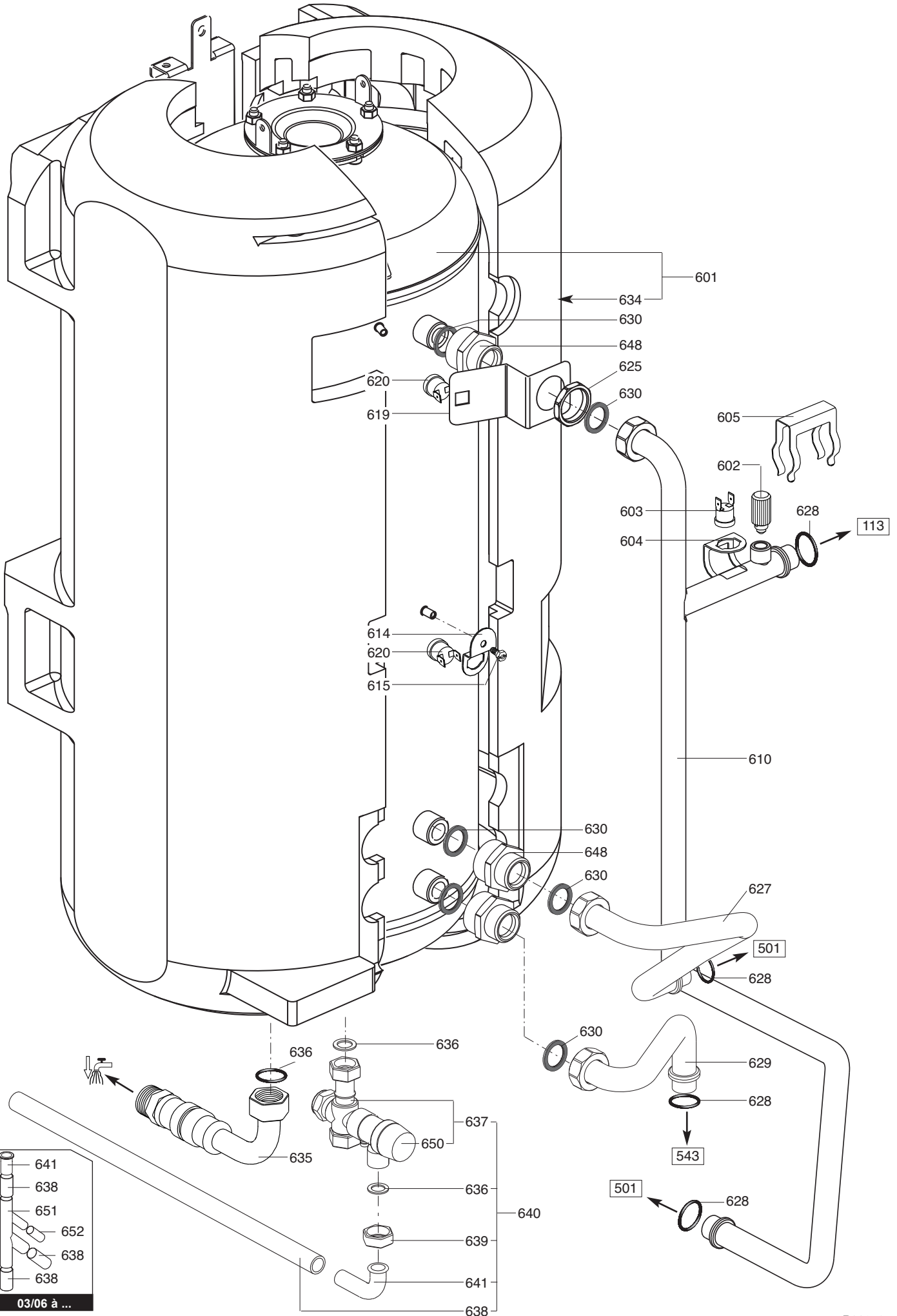
☉	Description	Manf. Pt. N	Type	BALIXIA 24 CF BALIXIA 24 MMC BALIXIA 24 FF																	
				1	2	3	4	5	6	7	8	9	10	11	12	13	14	15	16	17	18
<b>0100</b>	<b>BURNER ASSEMBLY</b>																				
0101	OVERHEAT THERMOSTAT 100C	61010572		•	•	•															
0103	CLIP	61010050		•	•	•															
0104	TEMPERATURE PROBE + CLIP	990686		•	•	•															
0105	CROSS LIGHTING STRIP	61303352		•	•	•															
0106	O-RING D: 17-4	60024164-51		•	•	•															
0107	BURNER BASE & ELECTRODES	61306599		•	•	•															
0110	ELETTRODO D ACCENSIONE	61305840		•	•	•															
0111	IONIZATION ELECTRODE	61303302		•	•	•															
0113	HEAT EXCHANGER	61306547		•	•	•															
0114	COMBUSTION CHAMBER	61306550-01		•	•																
	COMBUSTION CHAMBER	61306551				•															
0115	TAPPING SCREW CBLX D: 4.2-9.5	61010125		•	•	•															
0116	COMBUSTION CHAMBER LINING KIT	61307039		•	•	•															
0117	MANIFOLD 18 INJ:0.68	61305248	B/P			•															
	MANIFOLD 18 INJ:0.68	61305433	B/P	•	•																
	MANIFOLD 18 INJ:1.18	61305214	NAT	•	•																
	MANIFOLD 18 INJ:1.23	61305249	NAT			•															
0118	GAS TUBE	61303140		•	•	•															
0119	GASKET (/Manifold)	61010071		•	•	•															
0120	SHEET GASKET D: 24-18.2-1.5	60022835-01		•	•	•															
0121	OVERHEAT THERMOSTAT 54C	61010358				•															
	THERMOSTAT (SAFETY - 70C)	61012479				•															
0122	FLUE SPIGOT D:140->125	61303145		•	•	•															
0123	SIDE COVER SUPPORT	61303351		•	•																
0124	SPACER	61308439				•															
0125	SUPPORT BRACKET	61308440				•															
0126	TAPPING SCREW D: 3.5-9.5	61015329				•															
0127	SHEET SCREW CBLX D: 3.5-6.5	61010126				•															
0128	SCREW CX M 5-12	61011224		•	•	•															
0129	TAPPING SCREW CBLX D: 4.2-25	61010128		•	•	•															
<b>0200</b>	<b>FAN ASSEMBLY</b>																				
0201	SCREW CLX M 5-20	61017600				•															
0202	FLUE CONNECTION	61304209				•													10/04		
	FLUE CONNECTION	61313154				•													11/04		
0203	RESTRICTOR D:61 KIT	60000736				•													10/04		
	RESTRICTOR D:65 KIT	60000737				•													11/04		
	RESTRICTOR / AIR D:77 KIT	60000738				•													11/04		
0205	GASKET	61303825				•															
0206	FAN ASSY	61020925				•															
0212	GASKET	61300262				•															
0213	PLUG KIT	61306698				•															
0214	SILICONE TUBE D: 9x3 L: 1.30M	60081265				•															
0216	AIR PRESSURE SWITCH 24-28KW	61307664				•															
0227	TAPPING SCREW CBLX D:4.2-12.5	61010847				•															
0228	TAPPING SCREW CBLX D: 6.3-19	61010127				•															
0230	GASKET (/ Flue bend turret)	61300258				•															
<b>0300</b>	<b>SEALED CASE</b>																				
0303	SIDE PANEL	61306624				•															
0305	REAR PANEL	61304377				•															
0309	SIDE PANEL	61306623				•															
0311	FRONT PANEL	61304376				•															
0314	GROMMET D: 18	61303149				•															
0315	GROMMET	60039017				•															
0316	GROMMET - DOUBLE	60042707				•															
0317	GROMMET	61303148				•															





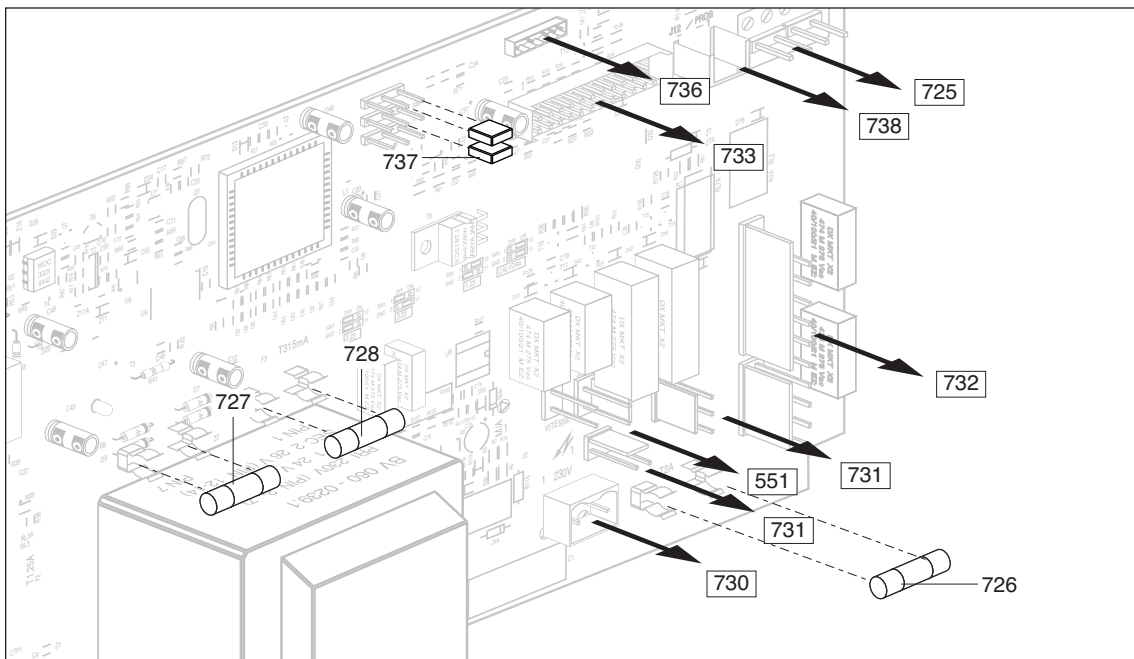
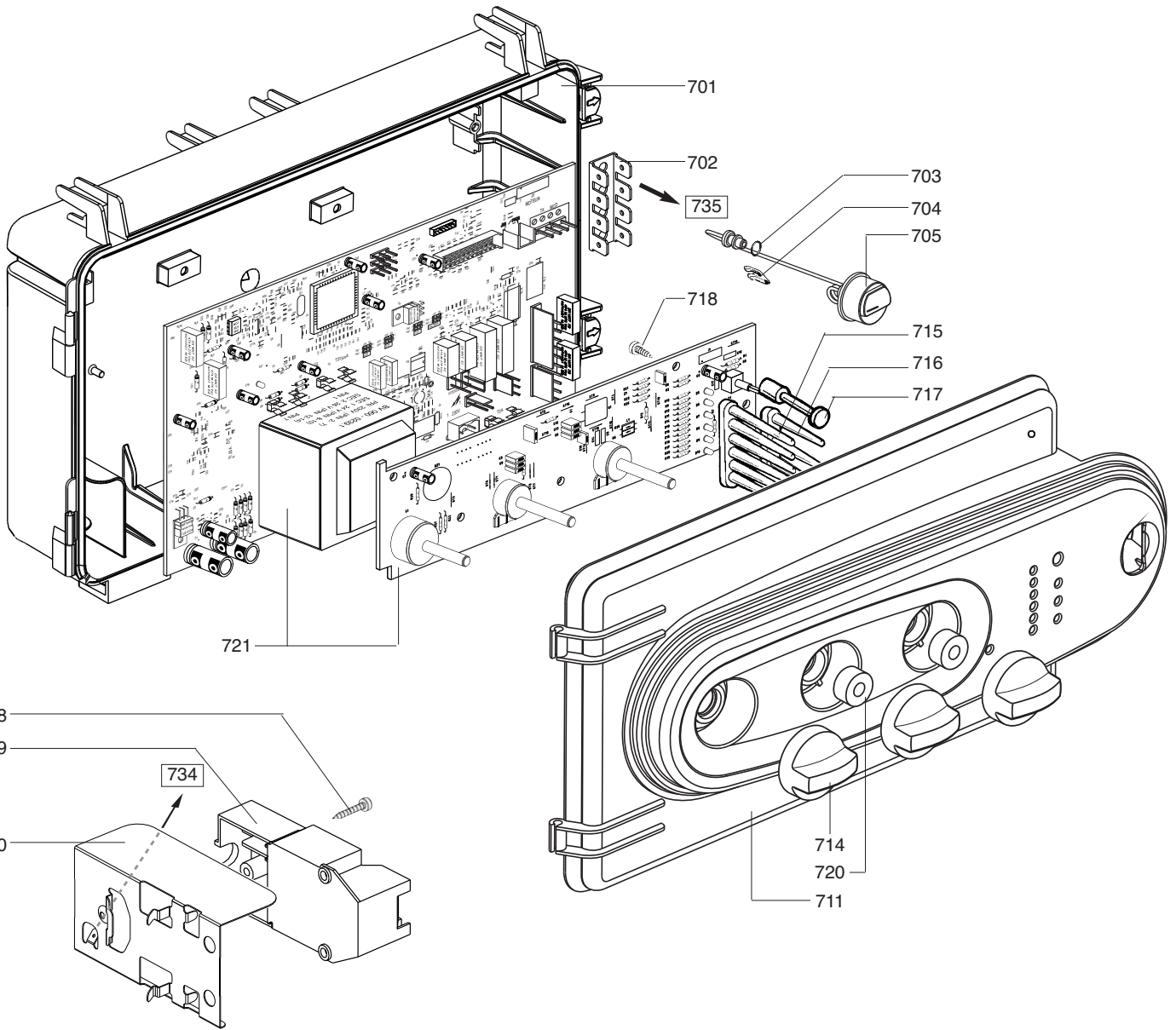


☉⇒	Description	Manf. Pt. N	Type	BALIXIA 24 CF BALIXIA 24 MMC BALIXIA 24 FF																	
				1	2	3	4	5	6	7	8	9	10	11	12	13	14	15	16	17	18
0500	<b>HYDRAULIC BLOCK</b>																				
0501	HEATING BLOCK ASSY	61306595		●	●	●															
0502	MOTOR - THREE-WAY VALVE	61302483-01		●	●	●															
0504	SCREW HX M 5-12	61010131		●	●	●															
0505	INTERFACE	61304003		●	●	●															
0506	VALVE KIT	61303330		●	●	●															
0507	NUT M 5	61016604		●	●	●															
0509	NUT 3/8» THICK: 11	60020746-20		●	●	●															
0510	RETAINING RING	61302621		●	●	●															
0511	DRAIN SCREW ASSY	60081028		●	●	●															
0512	PLUG ASSY	61305112		●	●	●															
0513	PIN	61304002		●	●	●															
0514	PIN	61302332		●	●	●															
0515	BY-PASS	61305111		●	●	●															
0516	WATER/WATER HEAT BLOCK ASSY	61315355		●	●	●															
0517	CONNECTION	61302753		●	●	●															
0518	O-RING D: 17-4	60024164-51		●	●	●															
0519	FLOW REGULATOR 12L A/R	61303380		●	●	●															
0522	PLUG	61303675		●	●	●															
0523	O-RING D: 13.6-2.7	60021061-18		●	●	●															
0524	DRAIN SCREW ASSY	60081904		●	●	●															
0525	PIN	61016206-02		●	●	●															
0527	PIN	61303234		●	●	●															
0528	O-RING D: 22-2	60022113-03		●	●	●															
0531	AIR SEPARATOR HEAD ASSEMBLY	61304608		●	●	●															
0532	GASKET KIT	61304618		●	●	●															
0533	TUBE : PUMP TO HEAT EXCHANGER	61303219		●	●	●															
0534	O-RING D: 16-1.9	61009833-37		●	●	●															
0536	CLIP	61302720		●	●	●															
0537	PRESSURE RELIEF VALVE	61305113		●	●	●															
0538	PUMP + AIR SEPARATOR 15/50	61301964		●	●	●															
	PUMP + AIR SEPARATOR 15/60	61303461		●	●	●															
0539	DISCONNECTOR	61303319		●	●	●															
0540	SHEET TASKET D: 15-8.5-1.5	60030867		●	●	●															
0543	STOPPED WATER THROTTLE	61304982		●	●	●															
0545	COLD WATER TUBE	61311240		●	●	●															
0548	CLIP	61010609		●	●	●															
0549	HEATING FILTER	61016502		●	●	●															
	FILTER	61312851		●	●	●															
0550	CAPACITOR	61000652-10		●	●	●															
0551	PUMP LEAD (2 SPEEDS)	61306995		●	●	●															
0564	O-RING D: 24.6-3.6	61009834-30		●	●	●															
0565	CLIP	60030898-03		●	●	●															
0566	CONNECTION	61303920		●	●	●															

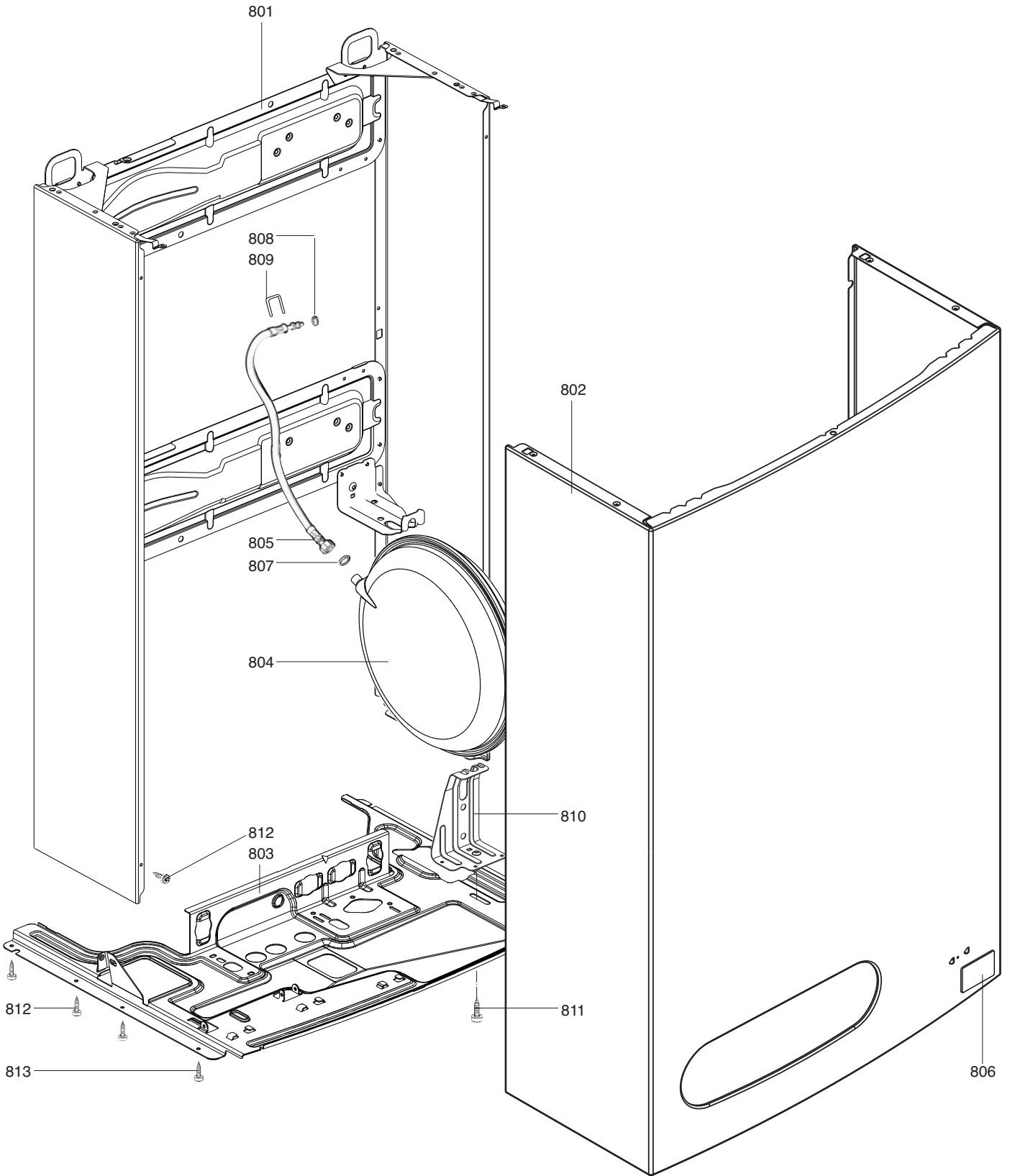




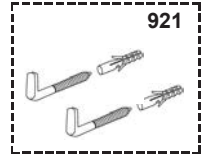
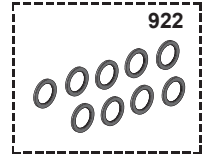
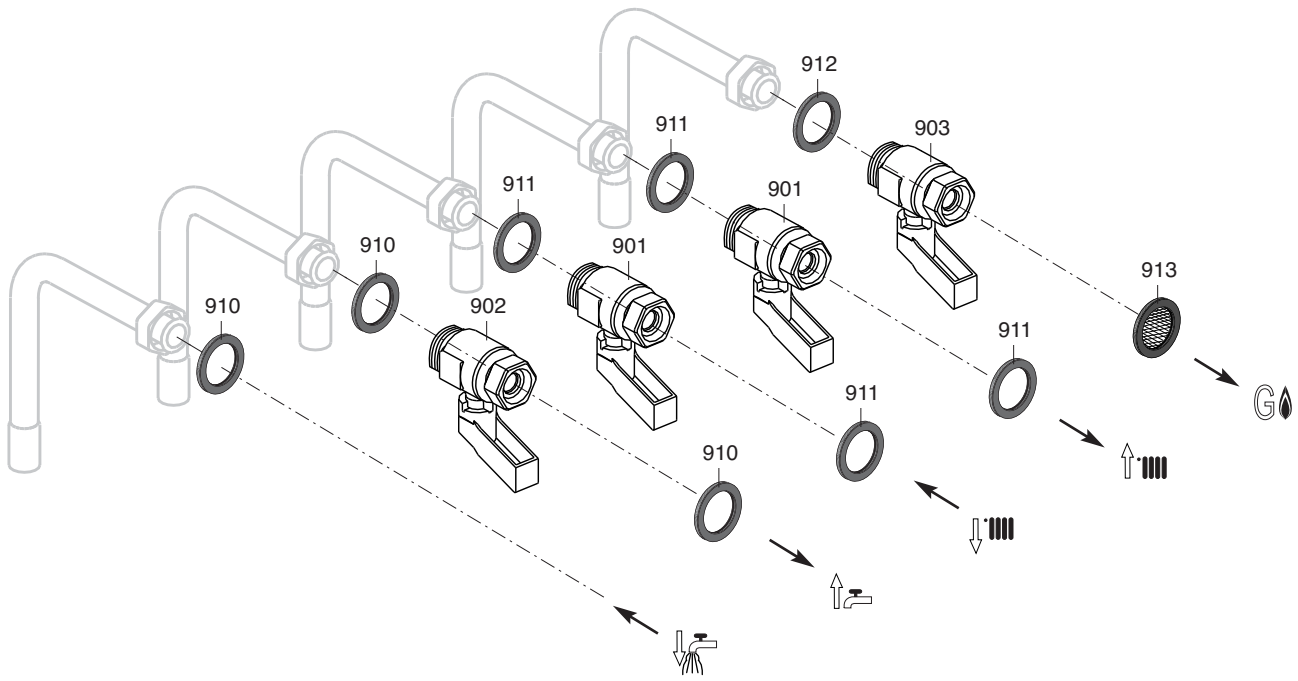
☉→	Description	Manf. Pt. N	Type	BALIXIA 24 CF BALIXIA 24 MMC BALIXIA 24 FF																		31
				1	2	3	4	5	6	7	8	9	10	11	12	13	14	15	16	17	18	
0600	<b>HOT WATER TANK</b>																					
0601	FLANGE + ANODE	60000334		●	●	●																
	HOT WATER TANK 60L	61309770		●	●	●																
	GASKET	61315615		●	●	●																
0602	DRAIN SCREW ASSY	60081028		●	●	●																
0603	TEMPERATURE PROBE + CLIP	990686		●	●	●																
0605	CLIP	61010609		●	●	●																
0610	HEATING FLOW BEND	61309674		●	●	●																
0614	SUPPORT	61303369		●	●	●																
0615	SCREW HSX M 5-8	61302631		●	●	●																
0619	SUPPORT	61311909		●	●	●																
0620	THERMISTOR TEMP. SENSOR	61312187		●	●	●																
0625	LOCK NUT	60030661		●	●	●																
0627	FLOW TUBE	61309670		●	●	●																
0628	O-RING D: 17-4	60024164-51		●	●	●																
0629	COLD WATER TUBE	61309671		●	●	●																
0630	SHEET GASKET D: 24-18.2-1.5	60022835-01		●	●	●																
0634	INSULATION	61310027		●	●	●																
0635	HOT WATER BEND	61305099		●	●	●																
0636	SHEET GASKET D: 18.4-12.2-1.5	60022835-14		●	●	●																
0637	PRESSURE RELIEF VALVE 7 BARS	61304749		●	●	●																
0638	TUBE PVC D: 13x17 L: 1M	60081266-02		●	●	●																
0639	NUT 1/2» THICK: 12	60020747-28		●	●	●																
0640	PRESSURE RELIEF VALVE KIT	61305178		●	●	●																
0641	CONNECTING PIPE	60001076		●	●	●														03/06		
	CONNECTING PIPE	61010430		●	●	●															02/06	
0648	SLEEVE	60077535		●	●	●																
0650	VALVE 7 BARS	60000437		●	●	●																
0651	CONNECTION	60000368		●	●	●																
0652	TUBE PVC D: 9x12 L: 1M	60081266		●	●	●																

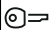





☉⇒	Description	Manf. Pt. N	Type	BALIXIA 24 CF BALIXIA 24 MMC BALIXIA 24 FF																	
				1	2	3	4	5	6	7	8	9	10	11	12	13	14	15	16	17	18
0700	ELECTRICAL BOX																				
0701	BASE - BOX	61303242		•	•	•															
0702	CONNECTION STRIP	61002725		•	•	•															
0703	O RING D: 5.7-1.9	61009834-10		•	•	•															
0704	CLIP	61002406		•	•	•															
0705	PRESSURE GAUGE	61305005		•	•	•															
0708	TAPPING SCREW D: 3.5-9.5	61015329		•	•	•															
0709	IGNITER	61002105-20		•	•	•															
0710	SUPPORT BRACKET	61304977		•	•	•															
0711	ELECTRICAL BOX COVER	61311079		•	•	•															
0714	WHITE KNOB	61311080		•	•	•															
0715	TRANSMITTER OF LEDS - TEMPERA.	61010010		•	•	•															
0716	TRANSMITTER OF LEDS - ON/OFF	61010011		•	•	•															
0717	IGNITION PUSH ROD	61010072		•	•	•															
0718	TAPPING SCREW TCBL D:4 L:10	61020509		•	•	•															
0720	GENTRING PIECE	61010241		•	•	•															
0721	PRINTED CIRCUIT BOARDS	60000628		•	•	•															
0725	THERMOSTAT CABLE	61312402		•	•	•															
0726	FUSE 250V 2A - TEMPORIZED	61003456		•	•	•															
0727	FUSE 250V 1.25A - TEMPORIZED	61003635		•	•	•															
0728	FUSE 250V 0.315A - TEMPORIZED	61307845		•	•	•															
0730	CABLAGGIO D ALIMENTAZIONE	61311903		•	•	•															
0731	CABLE	61305217		•	•																
0732	CABLE	61310977				•															
0733	WIRE ASSEMBLY	61310948				•															
	WIRE ASSEMBLY	61310950		•																	
	WIRE ASSEMBLY	61311905				•															
0734	EARTH WIRE	61305498		•	•	•															
0735	EARTH WIRE	61303360		•	•	•															
0736	INTERCONNECTION CABLE	61312117		•	•	•															
0737	BLACK SHUNT	61400030		•	•	•															
0738	CONTACT SOCKET CONNECTOR 3 P.	61003209		•	•	•															

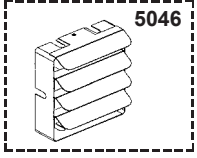
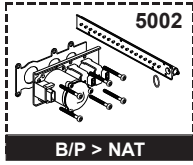
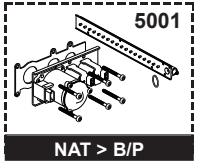






		Description	Manf. Pt. N	Type	  																	
					1	2	3	4	5	6	7	8	9	10	11	12	13	14	15	16	17	18
0900		JIG PLATE & PIPE FITTING																				
0901		WATER FLOW & RETURN SERVI. TAP	61303031		•	•	•															
0902		WATER TAP	61303034		•	•	•															
0903		GAS SERVICE TAP	61303032		•	•	•															
0910		WASHER D: 18.4-12.2-1.5	60061855-14		•	•	•															
0911		SHEET GASKET D: 24-17-1.5	60061855-19		•	•	•															
0912		SHEET GASKET D: 24-18.2-1.5	60022835-01		•	•	•															
0913		GAS FILTER	60037309		•	•	•															
0921		FIXING KIT	61303711		•	•	•															
0922		GASKETS SET	61305175		•	•	•															

5000





	Description	Manf. Pt. N	Type	BALIXIA 24 CF BALIXIA 24 I/MC BALIXIA 24 FF														 31		
				1	2	3	4	5	6	7	8	9	10	11	12	13	14		15	16
5000	<b>ACCESSORIES</b>																			
5001	CONVERSION KIT NAT > LPG	61306185		•	•															
	CONVERSION KIT NAT > LPG	61306186				•														
5002	CONVERSION KIT LPG > NAT	61306762		•	•															
	CONVERSION KIT LPG > NAT	61306763				•														
5046	DEFLECTOR 30DEG KIT	61014810				•														

## LIST OF THE ABBREVIATIONS

HW .....	: Hot water.
CW .....	: Cold water.
C .....	: Ceramic resistance (normal heating).
Ca .....	: Ceramic resistance (accelerated heating)
TP .....	: Immersion heater.
1F .....	: With fittings.
2F .....	: Without fittings.
3F .....	: With fittings and another outlet connection.
AMI .....	: With mixing valve.
SMI .....	: Without mixing valve.
PUISS .....	: Power of th appliance.
PN .....	: Appliance with normal pression.
LP .....	: Appliance with low pression.
PV .....	: Appliance with variable power.
PF .....	: Appliance with fixed power.

## IDENTIFICATION PLATE

### SERIAL NUMBER

<b>10 Characters :</b>	04 05 125 011		
		Sequential number	
		Manufacturing day	
		Year of manufacture	
<b>11 Characters :</b>	1 95 065004 - 31		
Month of manufacture :		Technical number of the appliance	
from 1 to 9 → Jan. to Sep.,		Sequential number	
O → Oct., N → Nov.,		Year of manufacture	
D → Dec.			
<b>19 Characters :</b>	08 05 0013199 900640031		
Year of manufacture		Product reference	
Month of manufacture		Sequential number	
<b>20 Characters :</b>	3675007 XX 2 07 070 00315		
Product reference		Sequential number	
Millenium of manufacture		Manufacturing day	
		Year of manufacture	
<b>21 Characters :</b>	3675007 XX 07 070 0000315		
Product reference		Sequential number	
Year of manufacture		Manufacturing day	

The indications mentioned on the prices, commercial or technical literature and the scheme are written for your guidance and are available at a given time. The CONSTRUCTOR retains the power to modify the presentation, the form, the size, the conception or the material of the products.