

SPARE PARTS EXPLODED VIEW
GAS-WALL BOILER ATM. BURNER

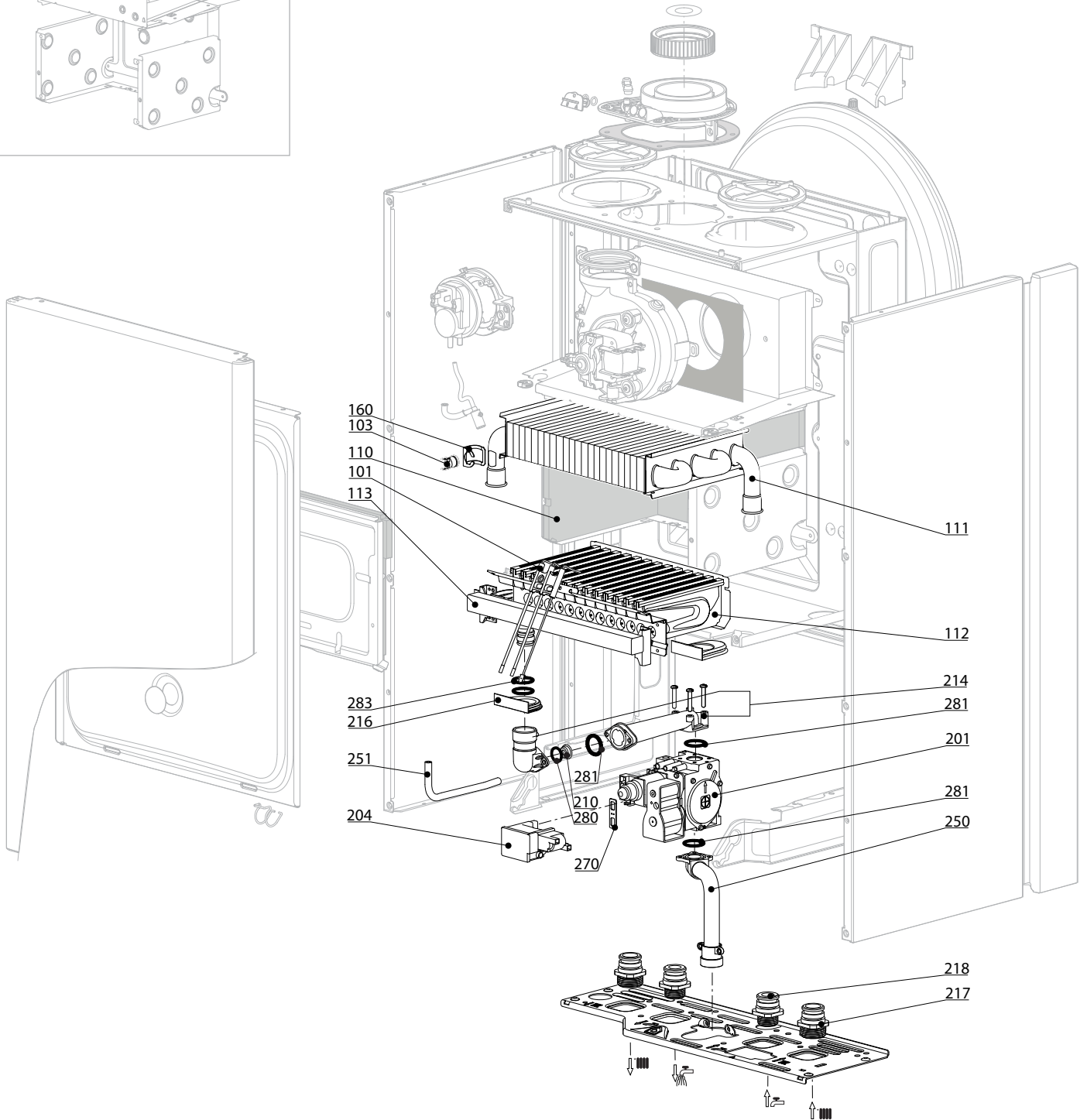
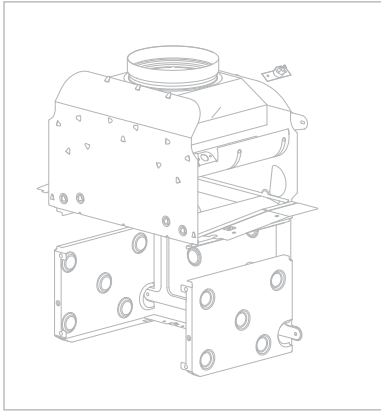
Model

ALIXIA

R8203360-01 - 08/08/2013

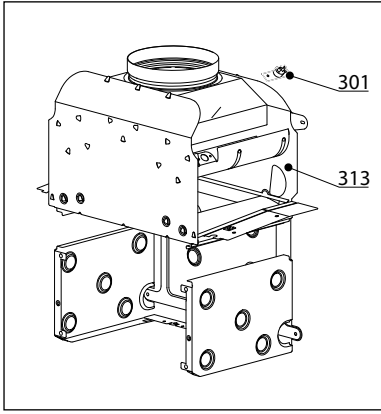
1	3310138	ALIXIA 25 CF FR
2	3310136	ALIXIA 25 FF FR

Col	Reference	Model type	Begin	End
-----	-----------	------------	-------	-----



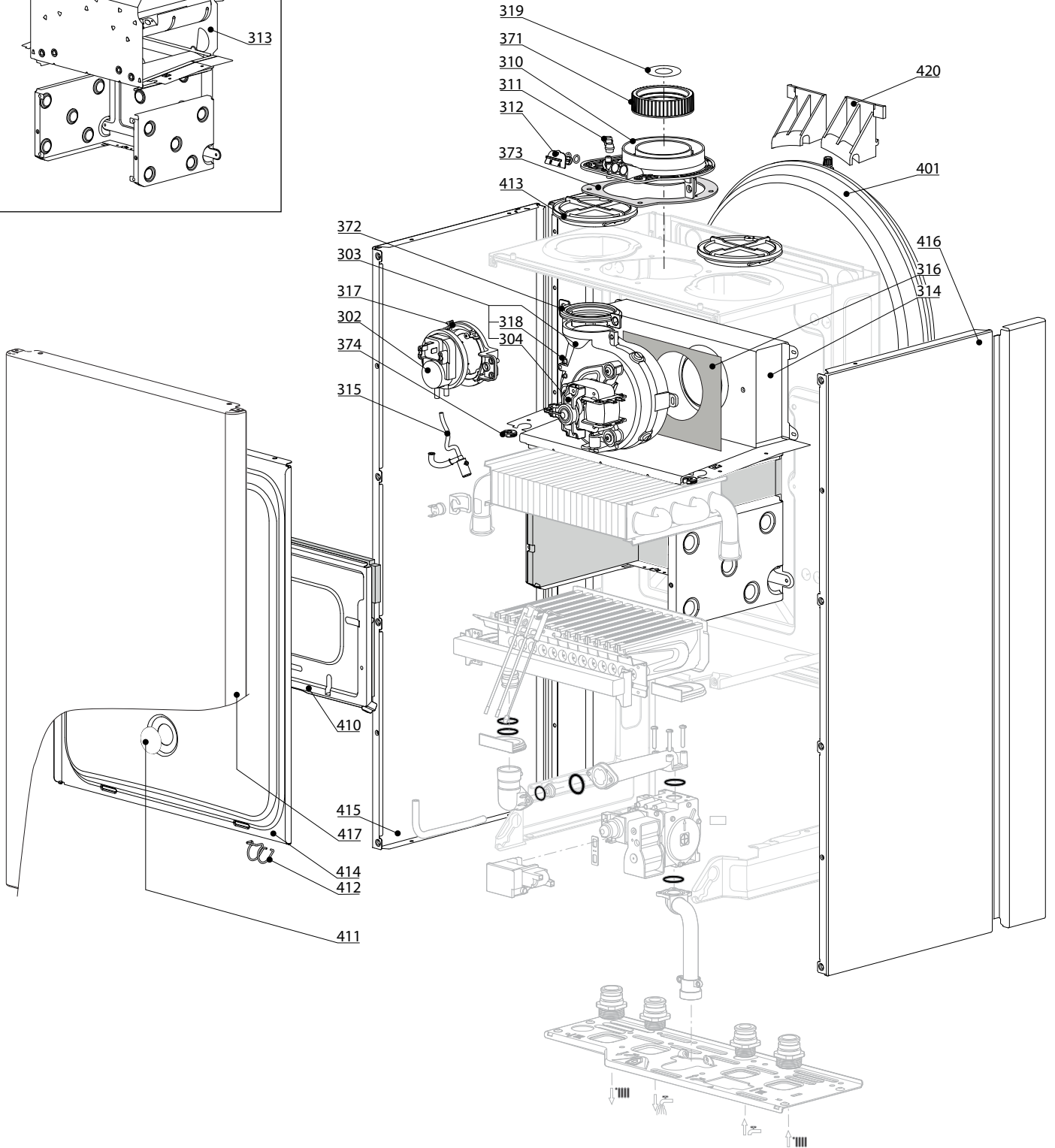
☉⇒	Description	Manf. Pt. N	Type	ALIXIA 25 CF ALIXIA 25 FF																	
				1	2	3	4	5	6	7	8	9	10	11	12	13	14	15	16	17	18
0100	BURNER ASSEMBLY																				
0101	ELECTRODE (IGNITION/DETECTION)	65104549		•	•																
0110	PANELS (KIT)	65104695		•																	
	PANELS (KIT)	65106298			•																
0111	MAIN EXCHANGER	65104247		•																	
	MAIN EXCHANGER	65106297			•																
0112	BURNER 11NP	65106294			•																
	BURNER 13NP	60001582		•																	
0113	GAS MANIFOLD 11 INJ. D:1.32	65106302	NAT		•																
	GAS MANIFOLD 13 INJ. D:1.25	65104302	NAT	•																	
0200	GAS SECTION																				
0201	GAS VALVE	65104254		•	•																
0204	SPARK GENERATOR	65104653		•	•																
0210	GAS RESTRICTOR D: 6.3	60000018	NAT	•																	
	GAS RESTRICTOR D: 6.4	60000501	NAT		•																
0214	PIPE (GAS VALVE/BURNER)	65104230		•	•																
0216	GROMMET	60000624		•	•																
0217	UNION (3/4)	65104326		•	•																
0218	UNION (1/2)	65104327		•	•																
0250	GAS TUBE	60000720		•	•																
0251	EPDM PIPE	65104296			•																
0270	GASKET (SPARK GENERATOR)	574279		•	•																
0280	O-RING D: 14-2.00	60000903	NAT	•	•																
0281	O-RING 22,22X2,62	65104304		•	•																
0283	O-RING 17,17X1,78	65104303		•	•																

300
400

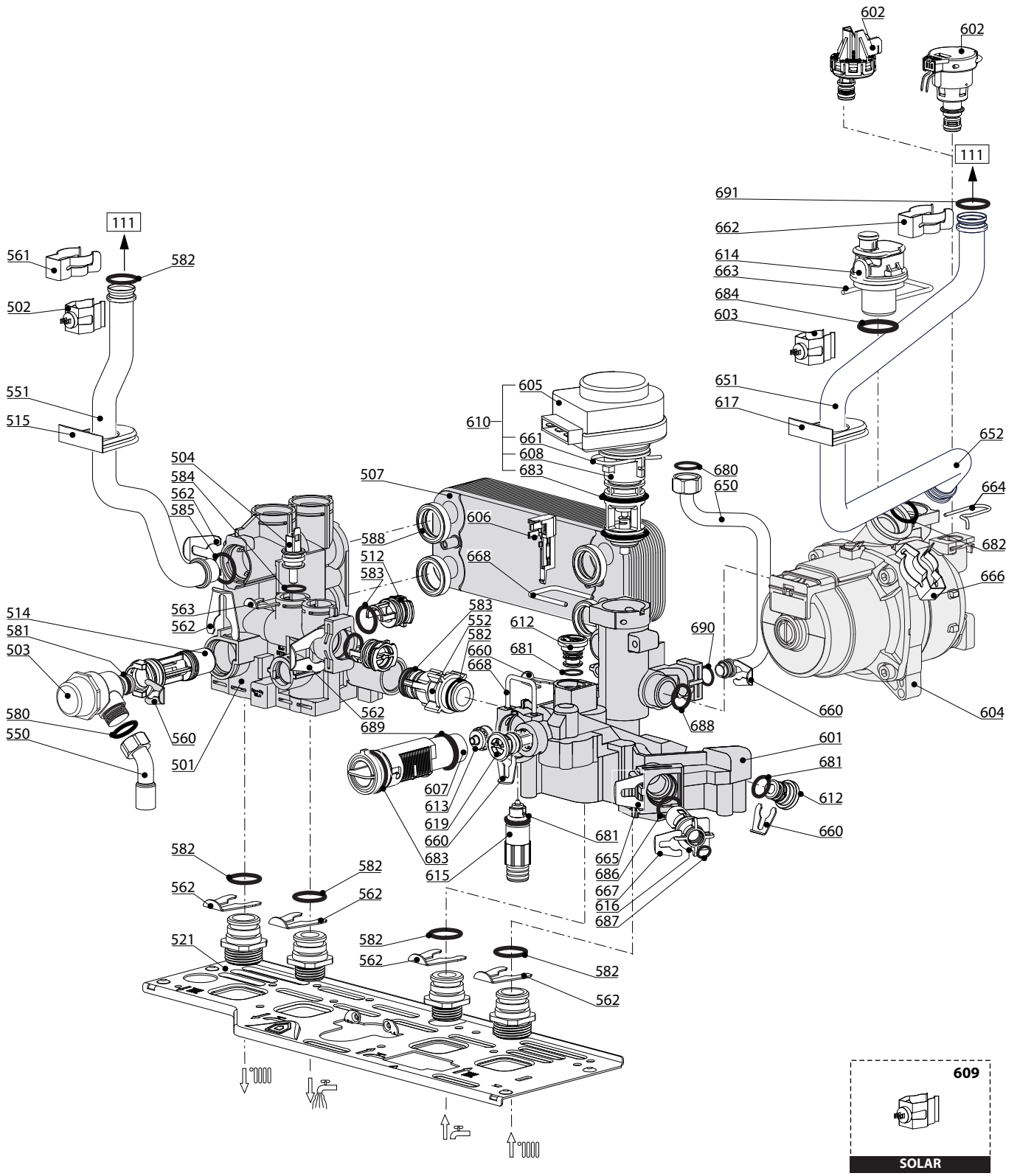


ALIXIA

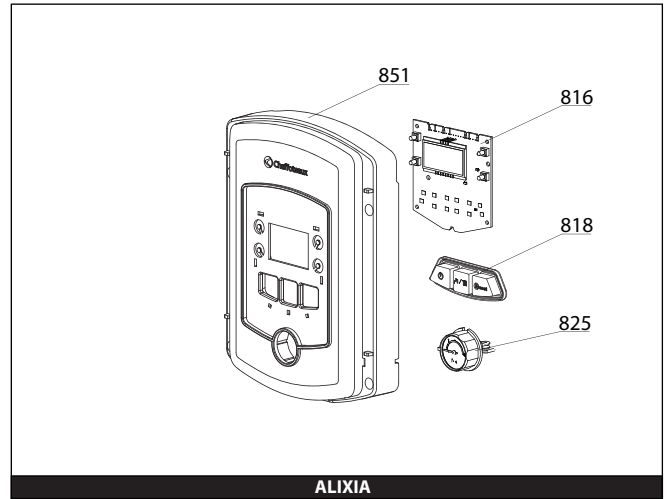
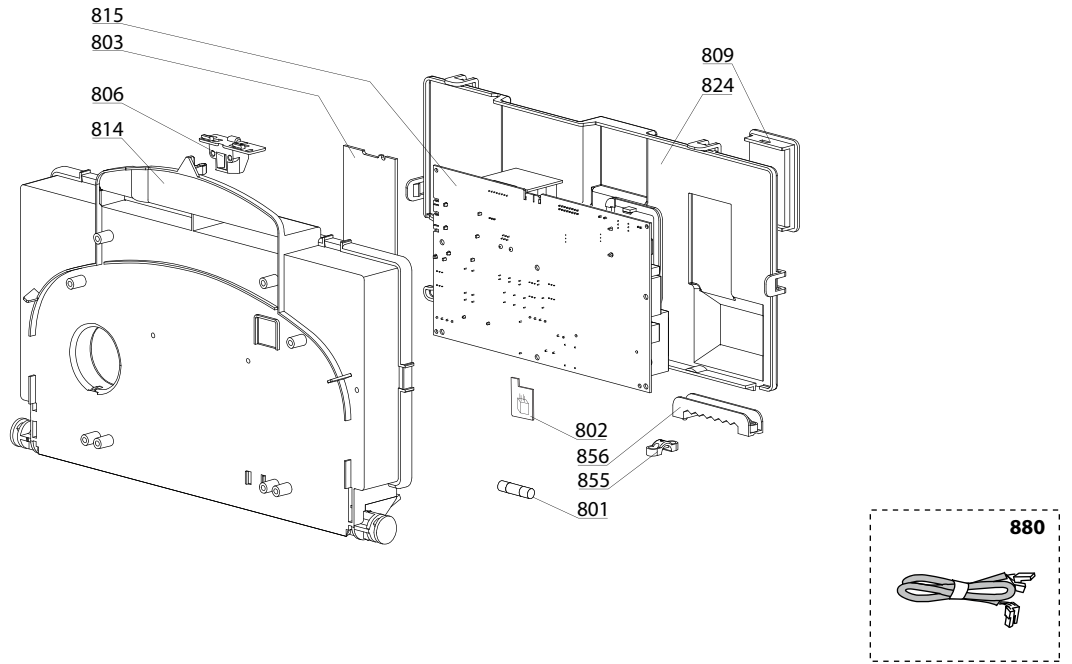
Gas-wall boiler atm. burner



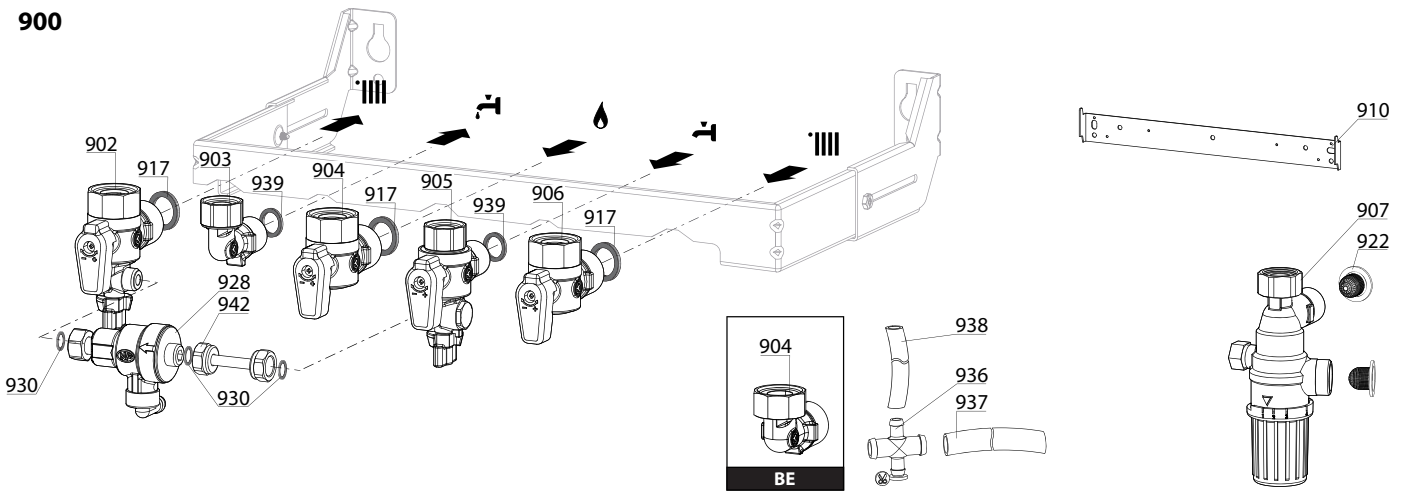
☉⇒	Description	Manf. Pt. N	Type	ALIXIA 25 CF ALIXIA 25 FF																	
				1	2	3	4	5	6	7	8	9	10	11	12	13	14	15	16	17	18
0300	FAN ASSEMBLY																				
0301	THERMOSTAT 75-65°C	999539		●																	
0302	AIR PRESSURE SWITCH 50 Pa	65104671-01			●																
0303	FAN	65104357			●																
0310	FLUE (EXHAUST MANIFOLD / HEADER)	65105393			●																
0311	AIR INTAKE COVER	573329			●																
0312	FLUE INTAKE PLUG	65104295			●																
0313	COMBUSTION CHAMBER 24CF	65104218		●																	
0314	COMBUSTION CHAMBER 24/28 FF	65106295			●																
0315	CONDENSATE TRAP	65104623			●																
0316	PANEL (INSULATION - FAN)	65104305			●																
0317	SUPPORT (AIR PRESSURE SWITCH)	65104378			●																
0318	VENTURI 15/24FF	65106516			●																
0319	RESTRICTOR KIT	60001598			●																
0371	COLLAR GASKET	65104258			●																
0372	FAN GASKET	65104257			●																
0373	GASKET	60000317			●																
0374	CABLE INLET RUBBER WASHER	60000716		●	●																
0400	SEALED CASE																				
0401	EXPANSION VESSEL	65104261		●	●																
0410	PANEL (COMBUSTION CHAMBER)	65104240		●																	
	PANEL (COMBUSTION CHAMBER)	65106296			●																
0411	SIGHT GLASS	65104232			●																
0412	SPRING FRONT PANEL (KIT)	65104298			●																
0413	AIR RETURN COVER	65104249			●																
0414	PANEL (FRONT - SEALED CHAMBER)	65105678			●																
0415	CASE PANEL (L.H. SIDE)	65105676		●	●																
0416	CASE PANEL (R.H. SIDE)	65105677		●	●																
0417	CASE PANEL (FRONT)	60000983		●	●																
0420	EXPANSION VESSEL SUPPORT	65104696		●	●																



☉→	Description	Manf. Pt. N	Type	ALIXIA 25 CF ALIXIA 25 FF																	
				1	2	3	4	5	6	7	8	9	10	11	12	13	14	15	16	17	18
0500	FLOW GROUP																				
0501	FLOW GROUP	60001952		●	●																
0502	TEMPERATURE PROBE + CLIP	990686		●	●																
0503	PRESSURE RELIEF VALVE (3 BAR)	61312668		●	●																
0507	WATER / WATER HEAT EXCHANGER 16	65104333		●	●																
0512	PLUG	65104445		●	●																
0514	BY-PASS	65104336		●	●																
0515	GROMMET	60000808		●	●																
0521	HYDRAULIC GROUP SUPPORT	60001375		●	●																
0550	PIPE (SAFETY VALVE)	65104447		●	●																
0551	HEATING FLOW TUBE	60000991		●																	
	HEATING FLOW TUBE	60001133			●																
0552	BY-PASS PIPE	65104340		●	●																
0560	CLIP D:10	65104260		●	●																
0561	CLIP	61307589		●	●																
0562	CLIP D:18	65104259		●	●																
0580	SHEET GASKET D: 13.9-10.4-1.5	60061853-02		●	●																
0581	O - RING (17.96X2.62)	65104337		●	●																
0582	O-RING D: 17.86-2.62	61308091		●	●																
0583	O - RING (15.54X2.62)	65104325		●	●																
0585	O-RING 3,53X17,04	65104262		●	●																
0588	EXCHANGER GASKET	65104334		●	●																
0600	RETURN GROUP																				
0601	RETURN GROUP	60000874		●	●																
0602	LOW PRESSURE SWITCH	65105090			●																
0603	TEMPERATURE PROBE + CLIP	990686		●	●																
0604	PUMP 4M 1V	60001584		●	●																
0605	MOTOR - THREE-WAY VALVE	61302483-01		●	●																
0606	SENSOR (REED)	65104323		●	●																
0607	FLOW METER	60000870		●	●																
0610	MOTOR + SPRING 3 WAY VALVE KIT	60001583		●	●																
0612	PLUG	65104377		●	●																
0613	RIDUCTORS (KIT)	65104318		●	●																
0614	AUTO AIR VENT WITH O-RING	65104703	WILO	●	●																
0615	KIT DRAIN SCREW	60001385		●	●																
0616	WATER FILTER	60001372		●	●																
0617	GROMMET	60000807		●	●																
0619	PLUG	65104377		●	●																
0650	PIPE (EXPANSION VESSEL)	60000718		●	●																
0651	PIPE (C.H. RETURN)	60001275		●																	
	PIPE (C.H. RETURN)	60001277			●																
0660	CLIP D:10	65104260		●	●																
0661	CLIP	65104332		●	●																
0662	CLIP	61307589		●	●																
0663	U-CLIP	65104704		●	●																
0664	CLIP	65104322			●																
0665	CLIP	65104331		●	●																
0666	CLIP	60000309		●	●																
0667	CLIP	65100680		●	●																
0668	CLIP	65104316		●	●																
0680	GASKET 3/8	573521		●	●																
0681	O - RING (9.19X2.62)	65104313		●	●																
0682	O-RING 3,53X17,04	65104262		●	●																
0683	O - RING (23.47X2.62)	65104315		●	●																
0684	O-RING D: 35-3	65104705		●	●																
0686	O - RING (15.54X2.62)	65104325		●	●																
0687	O RING D: 5.7-1.9	61009834-10		●	●																
0688	O - RING (21.89X2.62)	65104320		●	●																
0689	O-RING 17,17X1,78	65104303		●	●																
0690	O-RING D: 8.9-2.7	61009834-14		●	●																
0691	O-RING D: 17.86-2.62	61308091		●	●																



900



5000

5001
 Transf. gaz > GPL
 Conv. gas > GPL
 Trasn. gas > GPL
 Transf. gas > GPL

5002
 Transf. gaz > Nat
 Conv. gas > Nat
 Trasn. gas > Met
 Transf. gas > Met

5020
 Options
 Accessories
 Opzioni
 Accessorio

☉⇒	Description	Manf. Pt. N	Type	ALIXIA 25 CF ALIXIA 25 FF																	
				1	2	3	4	5	6	7	8	9	10	11	12	13	14	15	16	17	18
0800	ELECTRICAL BOX																				
0801	FUSE 250V 2A - TEMPORIZED	61003456		●	●																
0802	MODULE KIT (EEPROM)	65111766		●	●																
0806	PUSH	65104228		●	●																
0809	INSPECTION COVER	65104294		●	●																
0814	CONTROL PANEL	65104300		●	●																
0815	P.C.B. (MAIN)	60001605-02		●	●																
0816	PRINTED CIRCUIT BOARD (DISPLAY)	60001606-01		●	●																
0818	PUSH BUTTON	60001295		●	●																
0824	CONTROL PANEL COVER (REAR)	65104293		●	●																
0825	PRESSURE GAUGE	60000725		●	●																
0851	CONTROL PANEL	60001296		●	●																
0855	CABLE CLAMP	571562		●	●																
0856	CABLE CLAMP	65103377		●	●																
0880	DISPLAY WIRING	60000746	/ CN02	●	●																
	EARTH WIRE	65104286		●	●																
	FAN CABLE	65107270	/ CN10	●																	
	FEEDER 240V	60000993	/ CN20	●	●																
	FLOW METER CABLE	60000813	/ CN14	●	●																
	IONIZATION ELECTRODE CABLE	65104518	/ CN05	●	●																
	NTC - OVERHEAT THER. - PRES SWITCH CABLE	60000814	/ CN22	●																	
	NTC - PRES. SENSOR - GAS VALVE CABLE	60000840	/ CN04	●	●																
	NTC PROBE - OVERHEAT THERMOSTAT CABLE	65104708	/ CN22	●																	
	PUMP 1V CABLE	65105081	WILO	●	●																
	ROOM THERMOSTAT CABLE	60001253	/ CN25	●	●																
	THREE WAY VALVE CABLE	65104523	/ CN09	●	●																
0900	JIG PLATE & PIPE FITTING																				
0902	WATER FLOW SERVICE TAP	60000886		●	●																
0903	HOT WATER CONNECTION	60000891		●	●																
0904	GAS SERVICE TAP	60000898		●	●																
	UNION	65105631		●	●																
0905	COLD WATER TAP	60000894		●	●																
0906	WATER FLOW & RETURN SERVI. TAP	60000885		●	●																
0907	THERMOSTATIC MIXING VALVE	60001081		●	●																
0910	WALL HOOK	60000625		●	●																
0917	SHEET GASKET D: 24-17-1.5	60061855-19		●	●																
0922	FILTER	60001087		●	●																
0928	DISCONNECTOR	60000881		●	●																
0930	SHEET GASKET D: 11-5-1.5	60061853-07		●	●																
0936	UNION	60000879		●	●																
0937	TUBE PVC D: 13x17 L: 1M	60081266-02		●	●																
0938	TUBE PVC D: 9x12 L: 1M	60081266		●	●																
0939	SHEET GASKET D: 16.5-11-1.5	60061854-14		●	●																
0942	FILLER NECK	60001078		●	●																
5000	ACCESSORIES																				
5020	ROD PLATE	60000999		●	●																

LIST OF THE ABBREVIATIONS

HW	: Hot water.
CW	: Cold water.
C	: Ceramic resistance (normal heating).
Ca	: Ceramic resistance (accelerated heating)
TP	: Immersion heater.
1F	: With fittings.
2F	: Without fittings.
3F	: With fittings and another outlet connection.
AMI	: With mixing valve.
SMI	: Without mixing valve.
PUISS	: Power of th appliance.
PN	: Appliance with normal pression.
LP	: Appliance with low pression.
PV	: Appliance with variable power.
PF	: Appliance with fixed power.

IDENTIFICATION PLATE

SERIAL NUMBER

10 Characters :	04 05 125 011	Sequential number
		Manufacturing day
		Year of manufacture
11 Characters :	1 95 065004 - 31	Technical number of the appliance
Month of manufacture : from 1 to 9 → Jan. to Sep., O → Oct., N → Nov., D → Dec.		Sequential number
		Year of manufacture
19 Characters :	08 05 0013199 900640031	Product reference
Year of manufacture		Sequential number
Month of manufacture		
20 Characters :	3675007 XX 2 07 070 00315	Sequential number
Product reference		Manufacturing day
Millenium of manufacture		Year of manufacture
21 Characters :	3675007 XX 07 070 0000315	Sequential number
Product reference		Manufacturing day
Year of manufacture		